

**LORAIN**

Kit Number	Code (Pg. x)	Rod X Bore Size	
LOR-1103	I-N-10	4-1/4 X 6	
LOR-1103U	I-U-10	4-1/4 X 6	
LOR-1139	I-U-10	3/4 , 1-1/2 X 2-1/2	
LOR-1179	I-U-10	1-1/2 X 2-1/2	
LOR-1191	O-Ring Kit		
LOR-201521	P-U-10	3-1/2 X 5	
LOR-201778	P-U-10	4 X 6	
LOR-23699	P-U-3	2 X 3-1/2	
LOR-28687	I-N-10	4 X 5	
LOR-28696	I-OB-10	1-1/2 X 2	
LOR-80187	I-U-10	3 X 4	
LOR-963A	I-U-12	7 X 8-1/8	
LOR-983-C	I-U-10, 12	4-1/2 X 8-1/8	

**LUCKY LOADER**

Kit Number	Code (Pg. x)	Rod X Bore Size	
LK-GL400-1000-250A	I-U-5	2-1/2 X 4	
LK-GL700-3000-400	I-U-5	4 X 7	
LK-L400-800-200	I-U-5	2 X 4	
LK-L700-3600-400-A3	I-U-5	4 X 7	
LK-TL600-2087-250	I-U-5	2-1/2 X 6	
LK-TL600-2087-300	I-U-5	3 X 6	

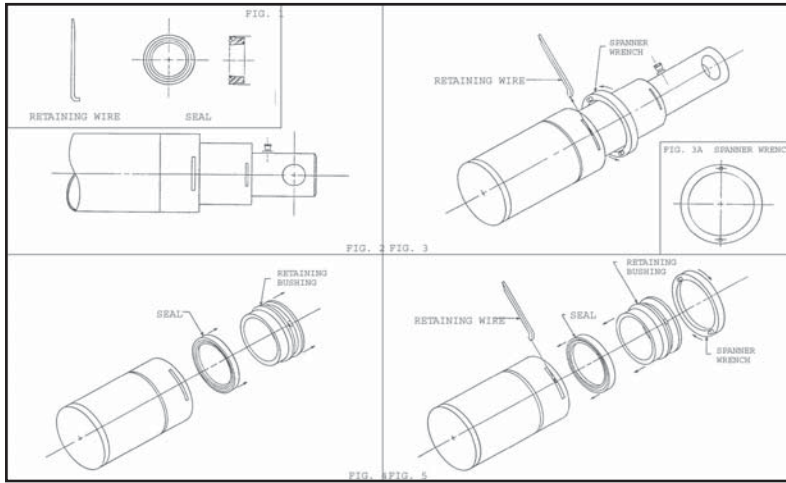
**LULL**

Kit Number	Code (Pg. x)	Rod X Bore Size	
LULL-3586-34	I-U-10	1-1/8 X 3	
LULL-P19382	I-U-10	1-1/8 X 2-1/2	

**MAILHOT TELESCOPIC CYLINDERS**

Kit Number	Cylinder Number	Description	Stage I.D.	
MH-009-SK	M134-6-3	3 stage, U-Seals & Keepers	4, 5, 6	
MH-078-SK	M150-6-4	4 Stage, U-Seals & Keepers	3-1/4, 4, 5, 6	
MH-119-SK	M130-5.5-3	3 Stage, U-Seals & Keepers	3-1/2, 4-1/2, 5-1/2	
MH-124-SK	M150-6.5-4	4 Stage, U-Seals & Keepers	3-1/2, 4-1/2, 5-1/2, 6-1/2	
MH-125-SK	M160-6.5-4	4 Stage, U-Seals & Keepers	3-1/2, 4-1/2, 5-1/2, 6-1/2	
MH-9000025-SK	C190-8-5	5 Stage, Z-Seals & Wipers	4, 5, 6, 7, 8	
MH-9000030-SK	C200-8-5	5 Stage, Z-Seals & Wipers	4, 5, 6, 7, 8	
MH-9000034-SK	C135-7-4, C162-7-4	4 Stage, Z-Seals & Wipers	4, 5, 6, 7	
MH-9000035-SK	C111-7-3	3 Stage, Z-Seals & Wipers	5, 6, 7	

# MARION TELESCOPIC CYLINDERS



## INSTRUCTIONS:

Remove cylinder and lie flat with sides parallel to ground. Drain oil from cylinder leaving stages slightly extended as shown in FIG. 2, exposing retaining wire slots. Using spanner wrench (FIG. 3A) or equivalent, remove retaining wire by turning retaining bushing counter-clockwise (FIG.3). After retaining wire is out, remove retaining bushing and seal, FIG. 4. Replace with seal provided in kit, FIG. 1. Retaining bushing (FIG. 5) and secure with retaining wire (FIG.1). Repeat steps for all other stages and other tubes.

Part Number	Stage Size	I.D.	O.D.	Height	
<b>STAGE BEARINGS</b>					
MARION-35120	1-7/8	1-7/8	2-1/4	1	
MARION-35130	2-3/4	2-3/4	3-1/4	1	
MARION-35140	3-3/4	3-3/4	4-1/4	1	
MARION-35150	4-3/4	4-3/4	5-1/4	1	
MARION-35160	5-3/4	5-3/4	6-1/4	1	
<b>WIPERS</b>					
MARION-35731	2-3/4	2-3/4	3.114	.122	
MARION-35741	3-3/4	3-3/4	3.996	.11	
MARION-35751	4-3/4	4-3/4	4.996	.11	
MARION-35761	5-3/4	5-3/4	5.996	.11	
MARION-35771	6-3/4	6-3/4	6.996	.11	
<b>PISTON BEARINGS</b>					
MARION-35420	2	1-7/8	2-1/4	1/2	
MARION-35430	3	2-3/4	3-1/4	1/2	
MARION-35440	4	3-3/4	4-1/4	1/2	
MARION-35450	5	4-3/4	5-1/4	1/2	
MARION-35460	6	5-3/4	6-1/4	1/2	

Part Number	Stage Size	Length	Square C/S	
<b>RETAINING WIRE</b>				
MARION-35240	2-3/4	10-1/4	1/8	
MARION-35250	3-3/4	13-3/8	1/8	
MARION-35260	4-3/4	16-3/8	1/8	
MARION-35270	5-3/4	19-1/4	1/8	
<b>COMPLETE REPAIR KITS</b>				
Part Number	Series	Stage Sizes		
Kits contain rod seals and retaining wire for each stage				
MARION-35704	32 series	1-7/8, 2-3/4		
MARION-35705	42 series	2-3/4, 3-3/4		
MARION-35706	43 series	1-7/8, 2-3/4, 3-3/4		
MARION-35707	53 series	2-3/4, 3-3/4, 4-3/4		
Kits contain rod seals, wipers and retaining wire for each stage				
MARION-35708	63 series	3-3/4, 4-3/4, 5-3/4		
MARION-35709	64 series	2-3/4, 3-3/4, 4-3/4, 5-3/4		
MARION-35715	62 series	4-3/4, 5-3/4		
MARION-35716	52 series	3-3/4, 4-3/4		

## MARK HI-LIFT

Kit Number	Code (Pg. x)	Rod X Bore Size		Kit Number	Code (Pg. x)	Rod X Bore Size	
ML-16963		Valve Kit		ML-66502	I-U-10	2-1/2 X 5	
ML-20042	I-U-3	7/8 X 1-1/2		ML-66548	I-U-3	1 X 2	
ML-20127	I-U-5	2-1/2 X 3-1/2		ML-66563	I-U-3	1-1/4 X 3-1/2	
ML-20128	I-U-5	1-1/4 X 3-1/2		ML-66651	I-U-3	1-3/8 X 2-1/2	
ML-244-A	I-OB-2	1 X 2		ML-66657	I-U-1	4-1/2" ROD	
ML-3009A	I-OB-3	1-1/2 X 3-1/2		ML-66721	I-U-10	3-1/2 X 6	
ML-3011-A	I-OB-3	1-1/2 X 3-1/2		ML-66806	Valve Kit		
ML-3012-1	I-OB-3	1-1/4 X 2		ML-66818	2 Stage	3-1/2, 4-1/2	
ML-3062-1	I-OB-3	3/4 X 1-1/2		ML-66895	I-U-10	2 X 4-1/2	
ML-3065-A	I-N-3	1-1/2 X 4		ML-66971	Motor Kit		
ML-66017	I-U-5	2 X 4		ML-67040	I-U-10	2 X 3-1/2	
ML-66041	I-U-10	1-1/2 X 3-1/2		ML-67051	I-U-10	1-1/2 X 2-1/2	
ML-66043	I-U-5	3-1/2 X 6		ML-67150	Valve Kit		
ML-66044	I-U-5	1-3/8 X 2-1/2		ML-67214	Special		
ML-66045	I-U-5	2 X 3-1/2		ML-67842	I-U-10	1-1/2 X 2-1/2	
ML-66165	I-U-5	2 X 5		ML-67843	I-U-13	1 X 2	
ML-66226	I-U-10	1-1/2 X 3		ML-67845	I-U-1	3-1/2 X 4	
ML-66227	I-U-10, 12	2-1/2 X 3-1/2		ML-68518	P-O-1	7/16 SHAFT KIT	
ML-66363	I-U-10, 12	2-3/4 X 3-3/4		ML-68948	I-U-11	3/4 X 2	

# MASSEY FERGUSON

Replacement Kits For

<b>Loaders</b>					
APPLICATION	CYL #	CODE	ROD	BORE	KIT #
<b>MODEL 50H</b>					
ARM	1605081M94	P-U-10	2	4-1/4	MF-1607730M91
BOOM	1605245M91	P-U-8	2	4-1/4	MF-1607427M91
BUCKET TILT	1605045M93	P-U-10	40 mm	2-1/2	MF-1606502M94
STABILIZER	1605174M92	P-U-10	2	3-1/2	MF-1607915M92
SWING	1605262M91	P-U-14	40 mm	75 mm	MF-3402545M91
<b>MODEL 250</b>					
LIFT		P-U-10	45 mm	65 mm	MF-3443575M93
		P-U-10	45 mm	75 mm	MF-1606583M93

Kit Number	Code (Pg. x)	Rod X Bore Size	
MF-1606487M93	I-U-10	2-1/4 x 3	
MF-1606502M94	P-U-10	40 mm X 2-1/2"	
MF-1606583M93	P-U-10	45 X 75 mm	
MF-1606681M92	O-RING KIT		
MF-1607427M91	P-U-8	2 X 4-1/4	
MF-1607730M91	P-U-10	2 X 4-1/4	
MF-1607915M92	P-U-10	2 X 3-1/2	
MF-1609031M93	I-U-10	1-3/4 X 2-1/4	
MF-3402545M91	P-U-14	40 X 75 mm	

Kit Number	Code (Pg. x)	Rod X Bore Size	
MF-3443575M93	P-U-10	40 X 65 mm	
MF-3484947M93	P-U-10	35 X 65 mm	
MF-3484955M92	P-U-10	50 X 70 mm	
MF-3485221M93	P-U-10	40 X 75 mm	
MF-3485304M92	P-U-10	35 X 70 mm	
MF-3485427M92	P-U-10	45 X 80 mm	
MF-704643M91	P-OB-3	1-1/4 X 2-1/2	
MF-836994M91	P-U-10	2 X 4	

## MCNEILUS REFUSE TRUCKS

Kit Number	Code (Pg. x)	Rod X Bore Size	
MTM-0601488	2-1/2 Rod Kit	I-U-1	
MTM-0604126	4 X 6	I-U-10	
MTM-0604136	3 X 3/12	I-U-1	
MTM-0604146	4 X 5	I-U-10/12	
MTM-0605700	3-1/2 X 5	I-U-10	
MTM-0605702	1-3/4 X 3	I-U-10/12	
MTM-0606953	2-1/2 X 3	I-U-1	
MTM-0606960	2 X 4-1/2	I-U-10/12	
MTM-0614333	2 X 3-1/2	I-U-10	
MTM-0614371	1-1/2 X 2	I-U-10	
MTM-0615860	2 X 3	I-U-10	
MTM-0619881	2 Rod Kit	I-U-1	
MTM-0619882	2"	I-U-1	
MTM-0619891	2-1/2 X 4-1/2	I-U-10,12	
MTM-0630861	4 X 5	I-U-10/12	
MTM-0635878	4 X 5	I-U-10,12	
MTM-0637010	1-1/2 X 2-1/2	I-U-10	
MTM-0643701	2 X 3-1/2	I-U-10	
MTM-0660778	1-1/2 X 2	I-U-10	
MTM-1000078	2-1/2 X 2-7/8	I-U-1	
MTM-1100031	3 X 4-1/2	I-U-10/12	
MTM-1100106	1-1/4 X 2	I-U-10	
MTM-1132629	1 X 2	P-U-10/12	
MTM-1132630	1-1/4 X 2	I-U-10	
MTM-1143852	1-1/4 X 2	I-U-10	
MTM-123016	2 X 3-1/2	I-U-10	

Kit Number	Code (Pg. x)	Rod X Bore Size	
MTM-123045	1-1/2 X 2	I-U-10	
MTM-123060	1-1/2 X 2-1/2	I-U-10	
MTM-375-1805-567	1-3/4 X 3	I-U-10/12	
MTM-379-6804-541	4 X 5	I-U-10/12	
MTM-379-6806-231	3 X 4-1/2	I-U-10/12	
MTM-379-6806-387	1-1/4 X 2	I-U-10	
MTM-601488	2-1/2"	I-U-1	
MTM-602650	4-1/2 X 5-1/2	I-U-10	
MTM-602685	3 X 3-1/2	I-U-1	
MTM-604126	4 X 6	I-U-10	
MTM-604986	4 X 5	I-U-10/12	
MTM-605752	3-1/2 X 5	I-U-10	
MTM-606961	2 X 4-1/2	I-U-10/12	
MTM-614126	4 X 6	I-U-10	
MTM-614384	1-1/2 X 2	I-U-10	
MTM-614398	2-1/2 X 4-1/2	I-U-10/12	
MTM-614467	2 X 3-1/2	I-U-10	
MTM-614472	2-1/2 X 4-1/2	I-U-10/12	
MTM-619885	2 Rod Kit	I-U-1	
MTM-619976	2-1/2 X 2-7/8	I-U-13	
MTM-619978	2 Rod Kit	I-U-1	
MTM-630804	2 X 3	I-U-10/12	
MTM-630862	4 X 5	I-U-10/12	
MTM-635878	4 X 5	I-U-10/12	
MTM-644187	1 X 2	P-U-10/12	
MTM-9570643701	2 X 3-1/2	I-U-10	

## MEYER PRODUCTS

Kit Number	Code (Pg. x)	Rod X Bore Size	
MY-15254	P-O-6	1-1/8 X 1-3/4	
MY-15456	P-OB-6	1-1/8 X 1-3/4	

Kit Number	Code (Pg. x)	Rod X Bore Size	
MY-15707	P-U-6	1-1/8 X 1-3/4	
MY-7705	I-V-1	1-1/2" ROD	

Replacement Kits For

# MITSUBISHI

<b>Excavators</b>					
<b>APPLICATION</b>	<b>CYL #</b>	<b>CODE</b>	<b>ROD</b>	<b>BORE</b>	<b>KIT #</b>
<b>MODEL MS-110-5, MS-110L-5, MS-110D-5, MS-110S-5</b>					
ARM	C25320004	P-UB-15	80 mm	120 mm	MIT-C75300020
	C25320005	P-UB-15	80 mm	120 mm	MIT-C75300020
BOOM	C25300104	P-UB-15	70 mm	110 mm	MIT-C75300010
BUCKET	C25340004	P-UB-15	65 mm	110 mm	MIT-C75300030
	C25340005	P-UB-15	65 mm	110 mm	MIT-C75300030
<b>MODEL MS-120-2, MS-120S-2, MS-120SS-2</b>					
ARM	C65320002	P-UB-14	80 mm	120 mm	MIT-C65300022
	C65320003	P-UB-14	80 mm	120 mm	MIT-C65300022
	C65320004	P-UB-14	80 mm	120 mm	MIT-C65300022
BOOM	C65300102	P-UB-14	75 mm	110 mm	MIT-C65300012
	C65300103	P-UB-14	75 mm	110 mm	MIT-C65300012
	C65300104	P-UB-14	75 mm	110 mm	MIT-C65300012
BUCKET	C65340003	P-UB-14	70 mm	110 mm	MIT-C65300032
	C65340004	P-UB-14	70 mm	110 mm	MIT-C65300032
	C65340005	P-UB-14	70 mm	110 mm	MIT-C65300032
<b>MODEL MS-180-3, MS-180S-3, MS-180LC-3</b>					
ARM	E35300201	P-UB-5	90 mm	130 mm	MIT-E15300023
BOOM	E35300101	P-UB-5	85 mm	125 mm	MIT-E15300013
BUCKET	E35300301	P-UB-5	75 mm	120 mm	MIT-E15300033
<b>MODEL MS-180-8</b>					
ARM	E75300301	P-UB-10	100 mm	140 mm	MIT-E75300010
BOOM	E75300101	P-UB-10	85 mm	125 mm	MIT-E35300040
	E75300201	P-UB-10	85 mm	125 mm	MIT-E35300040
BUCKET	E75300401	P-UB-10	85 mm	125 mm	MIT-E35300040

## REPLACEMENT KITS FOR MITSUBISHI EQUIPMENT

<b>Kit Number</b>	<b>Code (Pg. x)</b>	<b>Rod X Bore Size</b>	
MIT-C65300012	P-UB-14	75 X 110 mm	
MIT-C65300022	P-UB-14	80 X 120 mm	
MIT-C65300032	P-UB-14	70 X 110 mm	
MIT-C75300010	P-UB-15	70 X 110 mm	
MIT-C75300020	P-UB-15	80 X 120 mm	
MIT-C75300030	P-UB-15	65 X 110 mm	
MIT-E15300013	P-UB-5	85 X 125 mm	

<b>Kit Number</b>	<b>Code (Pg. x)</b>	<b>Rod X Bore Size</b>	
MIT-E15300023	P-UB-5	90 X 130 mm	
MIT-E15300033	P-UB-5	75 X 120 mm	
MIT-E25300061	P-UB-14	90 X 140 mm	
MIT-E35300040	P-UB-10	85 X 125 mm	
MIT-E75300010	P-UB-10	100 X 140 mm	
MIT-F15300011	P-UB-14	100 X 150 mm	

# REPLACEMENT PARTS FOR MITSUBISHI EQUIPMENT

**NOTE:** Mitsubishi part numbers are used as a reference only. We do not imply that these kits are original REPLACEMENT PARTS.

## WIPERS

Part Number	Rod Dia.	
MIT-05566-13030	30 mm	
MIT-05566-13530	35 mm	
MIT-64374-79200	40 mm	
MIT-A04500812	50 mm	
MIT-A04501417	65 mm	
MIT-A04500815	70 mm	
MIT-A04500822	70 mm	
MIT-A04501418	70 mm	
MIT-C45300148	75 mm	
MIT-E35300325	75 mm	
MIT-1853252	80 mm	
MIT-A04500817	80 mm	
MIT-A04501420	80 mm	
MIT-E15300392	85 mm	
MIT-E35300127	85 mm	
MIT-1853094	90 mm	
MIT-A04501422	90 mm	
MIT-F25340118	90 mm	
MIT-E85300320	95 mm	
MIT-1853143	100 mm	
MIT-A04501423	100 mm	
MIT-F15302319	100 mm	
MIT-F25340058	100 mm	
MIT-A04903618	110 mm	

## ROD U-SEALS

Part Number	Rod Dia.	
MIT-91254-06600	22 mm	
MIT-A04600911	45 mm	
MIT-A04600912	50 mm	
MIT-A04600914	65 mm	
MIT-A04600915	70 mm	
MIT-A04700415	70 mm	
MIT-7953042	75 mm	
MIT-A04600918	75 mm	
MIT-C45300134	75 mm	
MIT-E35302115	75 mm	

## ROD U-SEALS

Part Number	Rod Dia.	
MIT-E35302116	75 mm	
MIT-1853083	80 mm	
MIT-A04600917	80 mm	
MIT-A04700417	80 mm	
MIT-48-7953142	85 mm	
MIT-7953142	85 mm	
MIT-E15301215	85 mm	
MIT-E35301915	85 mm	
MIT-E35301916	85 mm	
MIT-1853057	90 mm	
MIT-1853239	90 mm	
MIT-A04600925	90 mm	
MIT-A04700423	90 mm	
MIT-E15301116	90 mm	
MIT-E85300317	95 mm	
MIT-E85300318	95 mm	
MIT-1853136	100 mm	
MIT-A04600926	100 mm	
MIT-A04700424	100 mm	
MIT-94319-02400	112 mm	

## PISTON U-SEALS

Part Number	Bore Dia.	
MIT-05565-07010	70 mm	
MIT-A04601211	70 mm	
MIT-05565-08010	80 mm	
MIT-A04601213	90 mm	
MIT-A04601215	110 mm	
MIT-A04601311	110 mm	
MIT-E85300439	115 mm	
MIT-A04601216	120 mm	
MIT-A04601312	120 mm	
MIT-C45300229	120 mm	
MIT-E85300137	120 mm	
MIT-E153-00386	125 mm	
MIT-E35301920	125 mm	

## PISTON U-SEALS

Part Number	Bore Dia.	
MIT-2153243	130 mm	
MIT-E85300347	130 mm	
MIT-4653414	140 mm	
MIT-A04601314	140 mm	
MIT-E75300322	140 mm	
MIT-1853063	150 mm	
MIT-A04601315	150 mm	
MIT-4653514	160 mm	
MIT-A04601719	160 mm	

## BUFFER RINGS

Part Number	Rod Dia.	
MIT-05566-03520	35 mm	
MIT-A04600815	50 mm	
MIT-A04600811	65 mm	
MIT-A04601014	65 mm	
MIT-A04600812	70 mm	
MIT-A04601015	70 mm	
MIT-A04601016	75 mm	
MIT-E15302312	75 mm	
MIT-E85300437	75 mm	
MIT-A04600813	80 mm	
MIT-A04601017	80 mm	
MIT-E15300372	85 mm	
MIT-E85300140	85 mm	
MIT-A04601024	90 mm	
MIT-E85300344	95 mm	
MIT-A04601025	100 mm	
MIT-F15302316	100 mm	
MIT-A04601018	110 mm	

# REPLACEMENT PARTS FOR MITSUBISHI EQUIPMENT

**NOTE:** Mitsubishi part numbers are used as a reference only. We do not imply that these kits are original REPLACEMENT PARTS.

## WEAR RINGS

Part Number	O.D. X Width	
MIT-E85300345	100 X 9.7 mm	
MIT-A04903612	110 X 6 mm	
MIT-E85300420	115 X 6 mm	
MIT-E85300440	115 X 7.9 mm	
MIT-A04901912	120 X 30 mm	
MIT-A04903613	120 X 6 mm	
MIT-E85300136	120 X 7.9 mm	
MIT-E85300120	120 X 8 mm	
MIT-E35301921	125 X 8 mm	
MIT-E85300326	130 X 7.9 mm	
MIT-E85300438	130 X 8 mm	
MIT-A04901915	140 X 40 mm	
MIT-A04903616	140 X 8 mm	
MIT-E75300323	140 X 8 mm	
MIT-A04901916	150 X 40 mm	
MIT-A04903617	150 X 8 mm	

## BACK-UP RINGS

Part Number	Min Pkg Qty	
MIT-05568-90700	1	
MIT-05568-90800	1	
MIT-4653425	1	
MIT-4653623	1	
MIT-4753177	1	
MIT-94153-07300	1	
MIT-A04700312	1	
MIT-A04700313	1	
MIT-A04700314	1	
MIT-A04700315	1	
MIT-A04700324	1	
MIT-A04700325	1	
MIT-E15301130	1	
MIT-E15302093	1	
MIT-E25310020	1	

## BACK-UP RINGS

Part Number	Min Pkg Qty	
MIT-E35300217	1	
MIT-E35300315	1	
MIT-E35301917	1	
MIT-E35302130	1	
MIT-E75300317	1	
MIT-E75300318	1	
MIT-E85300321	1	
MIT-E85300416	1	
MIT-F15300921	1	
MIT-F15301418	1	

## O-RINGS

Part Number	Min Pkg Qty	
MIT-2153222	2	
MIT-4753176	2	
MIT-7953122	2	
MIT-91254-06300	20	
MIT-94004-00900	5	
MIT-F3150-04900	7	
MIT-F3150-06000	5	
MIT-F3150-07000	4	
MIT-F3153-04000	10	
MIT-F3153-05000	10	
MIT-Z440101000	3	
MIT-Z440101100	3	
MIT-Z440200600	5	
MIT-Z440201100	3	
MIT-Z440201150	2	
MIT-Z440201200	2	
MIT-Z440201250	2	
MIT-Z440201300	2	
MIT-Z440201400	2	
MIT-Z440201500	2	

## O-RINGS

Part Number	Min Pkg Qty	
MIT-Z440201550	1	
MIT-Z441001150	3	
MIT-Z441101000	4	
MIT-Z441101100	3	
MIT-Z441101150	3	
MIT-Z441101200	3	
MIT-Z441101250	3	
MIT-Z441101300	3	
MIT-Z441101450	2	
MIT-Z441101600	1	

## O-RINGS 90 DUROMETER

Part Number	Min Pkg Qty	
MIT-Z440200800	3	
MIT-Z441001150	3	
MIT-Z441101050	3	

## MITSUBISHI LIFT TRUCKS

Kit Number	Code (Pg. x)	Rod X Bore Size	
MIT-91254-10330	P-U-10	22 X 45mm	
MIT-91254-30330	P-U-10	22 X 45mm	
MIT-91255-11120	I-U-10	22.4 X 45 mm	
MIT-91273-30150	Valve Kit		
MIT-91273-30220	Valve Kit		
MIT-91854-15310	I-U-10	25 X 55 mm	
MIT-91854-40230	P-U-10	25 X 55 mm	
MIT-91872-22120	Valve Kit		
MIT-94004-00120	P-UB-1	30 mm Rod Kit	
MIT-94004-00130	N-N-15	63 mm Piston Kit	
MIT-94104-00110	N-N-13	70 mm Piston Kit	
MIT-94104-00120	P-UB-1	35 mm Rod Kit for 70 mm Bore	
MIT-94104-00170	I-U-10	30 X 63 mm	
MIT-94114-00110	I-U-4	50 X 70 mm	
MIT-94114-00210	I-U-4	60 X 70 mm	
MIT-94119-00018	I-U-1	70 mm Rod Kit	
MIT-94119-00048	I-U-1	50 mm Rod Kit	
MIT-94119-00068	P-U-1	32 mm Rod Kit	
MIT-94119-00088	P-U-1	32 mm	
MIT-94133-00018	I-N-4	40 X 50 mm	
MIT-94151-00018	P-U-1	70 mm Rod Kit	
MIT-94151-00028	P-U-1	70 mm Rod Kit	
MIT-94162-00018	P-U-4	35 X 45 mm	
MIT-94204-10120	I-U-10	35 X 70 mm	
MIT-94219-00018	P-U-1	35 mm Rod Kit	
MIT-94219-00028	P-U-1	35 mm Rod Kit	
MIT-94251-00018	I-U-1	75 mm Rod Kit	
MIT-94251-00038	P-U-1	75 mm Rod Kit	
MIT-94251-00058	P-U-1	75 mm Rod Kit	
MIT-94262-00028	P-U-4	40 X 50 mm	
MIT-94304-00110	N-N-13	80 mm Piston Kit	
MIT-94304-00120	P-UB-1	35 mm Rod Kit for 80 mm Bore	
MIT-94304-10140	I-U-10	35 X 80 mm	
MIT-94314-00110	I-U-1	65 X 80 mm	
MIT-94319-00018	I-U-1	60 mm Rod Kit	
MIT-94319-00038	I-U-1	85 mm Rod Kit	
MIT-94319-00068	P-U-1	40 mm Rod Kit	
MIT-94319-00088	I-U-1	40 mm Rod Kit	
MIT-94351-00018	I-U-1	80 mm Rod Kit	
MIT-94351-00028	P-U-1	45 X 55 mm	

## MITSUBISHI LIFT TRUCKS

Kit Number	Code (Pg. x)	Rod X Bore Size	
MIT-94351-00038	P-U-1	85 mm Rod Kit	
MIT-94351-00068	P-U-1	85 mm Rod Kit	
MIT-94362-00018	P-U-1	45 X 55 mm	
MIT-94404-00120	P-UB-3	45 X 90 mm	
MIT-94404-10140	I-U-10	40 X 80 mm	
MIT-94404-10160	I-U-10	40 X 90 mm	
MIT-94504-02090	P-U-1	40 X 100 mm	

## MONARCH ROAD MACHINERY

Kit Number	Code (Pg. x)	Rod X Bore Size	
MRM-5117	I-V-1	1-1/2" ROD	
MRM-5127	I-V-1	2" ROD	
MRM-5137	I-V-1	2-1/2" ROD	
MRM-5147	I-V-1	3" ROD	
MRM-5157	I-V-1	3-1/2" ROD	
MRM-5385	I-V-7	1-1/2 X 3	
MRM-637405	P-OB-3	1-1/4 X 4	

## MORBARK

Kit Number	Code (Pg. x)	Rod X Bore Size	
MB25180-210	I-U-5	2 X 4	
MB26815-053	P-U-10	1-1/4 X 2-1/2	
MB26815-054	I-U-10	1-1/2 X 3	
MB26815-059	I-U-10	2-1/2 X 5	
MB26815-060	I-U-10	2-1/2 X 5-1/2	
MB26815-061-M	I-U-10	2 X 4	
MB26815-071	I-U-10	3 X 6	
MB26815-071-A	I-U-10	3 X 6	