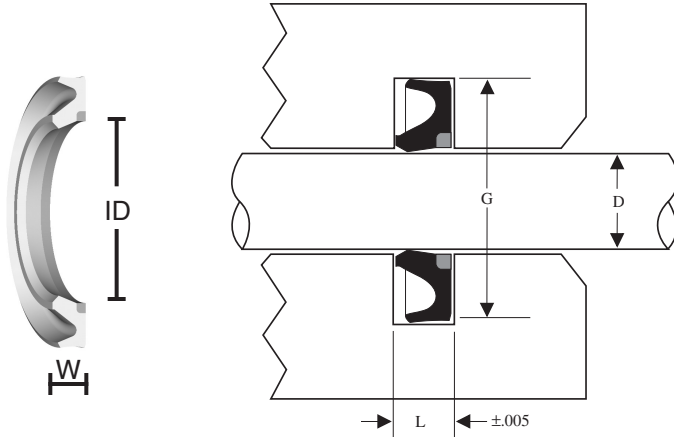




STYLE DYR ROD BUFFER SEALS

U-cup style buffer ring offers an asymmetric sealing lip profile, chamfered sealing edges, and pressure relieving capabilities to prevent inner pressure entrapment when employed in a tandem sealing system. This rod buffer seal is designed to absorb impact pressure fluctuations under high-load conditions thus increasing the life of the primary seal.



SEAL INFORMATION

MATERIAL	URETHANE U-STYLE POLYACETAL BACK-UP
TEMPERATURE RANGE	-40° TO +230° F
PRESSURE RANGE	0 TO 8,000 PSI
PART NUMBER	(Prefix)(CS) - (Inside Dia) (O-Ring CS)

BUFFER SEALS

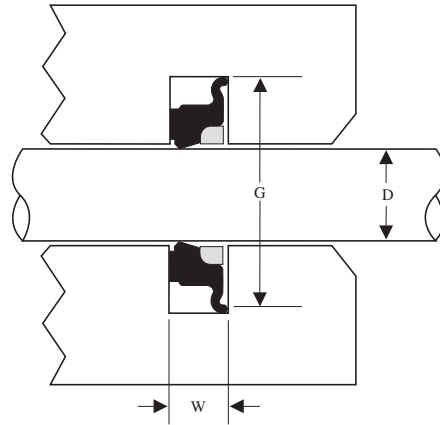
Part Number	D Nominal Rod Dia. Seal ID	G Groove Diameter	W Seal Width	L Groove Width	Diametrical Clearance Gap		
					1000 PSI	3000 PSI	5000 PSI
DYR28-1.25-12	1-1/4	1.819 ±0.004	1/8	0.140 ±0.005	0.012	0.008	0.005
DYR28-1.50-12	1-1/2	2.067 ±0.004	1/8	0.140 ±0.005	0.012	0.008	0.005
DYR28-1.75-12	1-3/4	2.319 ±0.004	1/8	0.140 ±0.005	0.012	0.008	0.005
DYR28-2.00-12	2	2.567 ±0.004	1/8	0.140 ±0.005	0.012	0.008	0.005
DYR31-2.75-22BU	2-3/4	3.402 ±0.004	3/16	0.234 ±0.005	0.030	0.022	0.018
DYR31-3.00-22BU	3	3.649 ±0.004	3/16	0.234 ±0.005	0.030	0.022	0.018
DYR31-4.00-22BU	4	4.669 ±0.004	3/16	0.234 ±0.005	0.030	0.022	0.018
DYR32-1.75-20BU	1-3/4	2.395 ±0.005	0.22	0.220 ±0.005	0.030	0.022	0.018
DYR34-2.25-22BU	2-1/4	2.929 ±0.004	3/16	0.234 ±0.005	0.030	0.022	0.018
DYR34-2.50-22BU	2-1/2	3.177 ±0.004	3/16	0.234 ±0.005	0.030	0.022	0.018
DYR34-3.00-22BU	3	3.649 ±0.004	3/16	0.234 ±0.005	0.030	0.022	0.018
DYR34-3.50-22BU	3-1/2	4.169 ±0.004	3/16	0.234 ±0.005	0.030	0.022	0.018

Part Number	Nominal Rod Dia. Seal ID	G Groove Diameter	W Seal Width	L Groove Width	Diametrical Clearance Gap		
					1000 PSI	3000 PSI	5000 PSI
DYR-25003	2-1/2	3.116 +0.005/-0	0.235	0.247 +0.010/-0	0.030	0.022	0.018
DYR-27503	2-3/4	3.366 +0.005/-0	0.235	0.247 +0.010/-0	0.030	0.022	0.018
DYR-30003	3	3.616 +0.005/-0	0.235	0.247 +0.010/-0	0.030	0.022	0.018
DYR-35003	3-1/2	4.116 +0.005/-0	0.235	0.247 +0.010/-0	0.030	0.022	0.018
DYR-40003	4	4.616 +0.005/-0	0.235	0.247 +0.010/-0	0.030	0.022	0.018
DYR-45003	4-1/2	5.116 +0.005/-0	0.235	0.247 +0.010/-0	0.030	0.022	0.018
DYR-47503	4-3/4	5.366 +0.005/-0	0.235	0.247 +0.010/-0	0.030	0.022	0.018
DYR-50003	5	5.616 +0.005/-0	0.235	0.247 +0.010/-0	0.030	0.022	0.018
DYR-55003	5-1/2	6.116 +0.005/-0	0.235	0.247 +0.010/-0	0.030	0.022	0.018
DYR-60003	6	6.616 +0.005/-0	0.235	0.247 +0.010/-0	0.030	0.022	0.018
DYR-65003	6-1/2	7.116 +0.005/-0	0.235	0.247 +0.010/-0	0.030	0.022	0.018
DYR-70003	7	7.616 +0.005/-0	0.235	0.247 +0.010/-0	0.030	0.022	0.018
DYR-75003	7-1/2	8.116 +0.005/-0	0.235	0.247 +0.010/-0	0.030	0.022	0.018
DYR-80003	8	8.616 +0.005/-0	0.235	0.247 +0.010/-0	0.030	0.022	0.018

STYLE DYM ROD BUFFER SEALS



Buffer seals have an asymmetric sealing profile that offers improved performance in small diameter applications and pressure relieving capabilities to prevent pressure entrapment in tandem sealing systems. DYM Style Rod Buffer Seals can also be used to retrofit DYM and KR applications when properly sized.



SEAL INFORMATION

MATERIAL	URETHANE SEAL NYLON BACK-UP
TEMPERATURE RANGE	-40° TO +230° F
PRESSURE RANGE	0 TO 5,000 PSI
PART NUMBER	(Prefix) - (Inside Dia) (O-Ring CS)

BUFFER SEALS

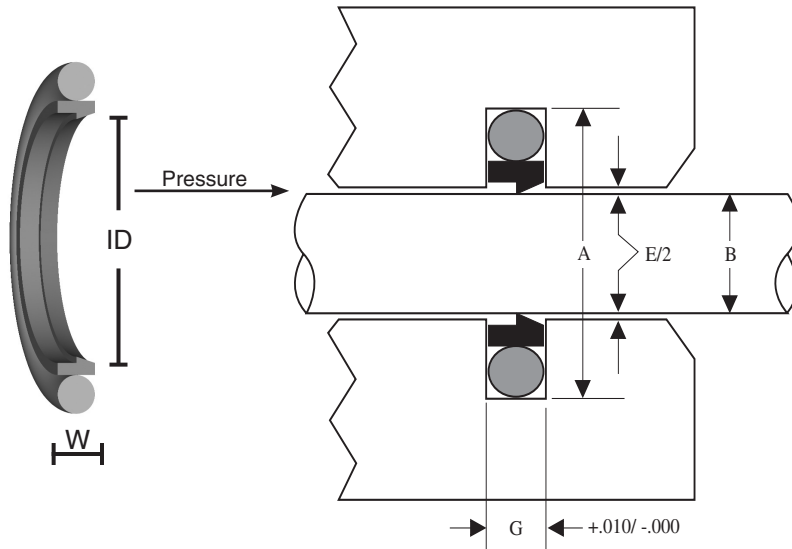
Part Number	D Nominal Rod Dia. Seal ID	G Groove Diameter	H Seal Width	W Groove Width	Diametrical Clearance Gap		
					1000 PSI	3000 PSI	5000 PSI
DYM-10002	1	1.424 +0.004/-0	0.155 ±0.005	0.166 +0.010/-0	0.030	0.022	0.018
DYM-12502	1-1/4	1.674 +0.004/-0	0.155 ±0.005	0.166 +0.010/-0	0.030	0.022	0.018
DYM-15002	1-1/2	1.924 +0.004/-0	0.155 ±0.005	0.166 +0.010/-0	0.030	0.022	0.018
DYM-17502	1-3/4	2.174 +0.004/-0	0.155 ±0.005	0.166 +0.010/-0	0.030	0.022	0.018
DYM-17503	1-3/4	2.366 +0.005/-0	0.235 ±0.005	0.247 +0.010/-0	0.030	0.022	0.018
DYM-20002	2	2.424 +0.004/-0	0.155 ±0.005	0.166 +0.010/-0	0.030	0.022	0.018
DYM-20003	2	2.616 +0.005/-0	0.235 ±0.005	0.247 +0.010/-0	0.030	0.022	0.018
DYM-22502	2-1/4	2.674 +0.004/-0	0.155 ±0.005	0.166 +0.010/-0	0.030	0.022	0.018
DYM-25002	2-1/2	2.924 +0.004/-0	0.155 ±0.005	0.166 +0.010/-0	0.030	0.022	0.018
DYM-25003	2-1/2	3.116 +0.005/-0	0.235 ±0.005	0.247 +0.010/-0	0.030	0.022	0.018
DYM-27502	2-3/4	3.174 +0.005/-0	0.155 ±0.005	0.166 +0.010/-0	0.030	0.022	0.018
DYM-27503	2-3/4	3.366 +0.005/-0	0.235 ±0.005	0.247 +0.010/-0	0.030	0.022	0.018
DYM-30002	3	3.424 +0.004/-0	0.155 ±0.005	0.166 +0.010/-0	0.030	0.022	0.018
DYM-30003	3	3.616 +0.005/-0	0.235 ±0.005	0.247 +0.010/-0	0.030	0.022	0.018



STYLE KR ROD BUFFER SEALS

Molded in PTFE with a rubber energizer, this seal absorbs the shock of pressure spikes protecting the rod seal.

BUFFER SEALS



SEAL INFORMATION

MATERIAL	BRONZE FILLED PTFE SEAL RUBBER ENERGIZER
TEMPERATURE RANGE	-40° TO +220° F
PRESSURE RANGE	0 TO 5,000 PSI
PART NUMBER	(Prefix) - (Inside Dia) (O-Ring CS)

Part Number	B Nominal Rod Dia. Seal ID	A Groove Diameter	W Seal Width	G Groove Width	E - Maximum Diametrical Clearance		
					1000 PSI	3000 PSI	5000 PSI
KR-05001	1/2	0.798 +0.003/-0	.122±.005	0.126 +0.010/-0	0.012	0.006	0.004
KR-10001	1	1.298 +0.004/-0	.122±.005	0.126 +0.010/-0	0.012	0.006	0.004
KR-10002	1	1.433 +0.004/-0	.155±.005	0.165 +0.008/-0	0.016	0.008	0.006
KR-11201	1-1/8	1.423 +0.003/-0	.122±.005	0.126 +0.010/-0	0.012	0.006	0.004
KR-12501	1-1/4	1.548 +0.003/-0	.122±.005	0.126 +0.010/-0	0.012	0.006	0.004
KR-12502	1-1/4	1.674 +0.004/-0	.155±.005	0.166 +0.010/-0	0.016	0.008	0.006
KR-13702	1-3/8	1.799 +0.004/-0	.155±.005	0.166 +0.010/-0	0.016	0.008	0.006
KR-15001	1-1/2	1.798 +0.003/-0	.122±.005	0.126 +0.010/-0	0.012	0.006	0.004
KR-15002	1-1/2	1.924 +0.004/-0	.155±.005	0.166 +0.010/-0	0.016	0.008	0.006
KR-15003	1-1/2	2.116 +0.004/-0	.235±.005	0.247 +0.010/-0	0.020	0.010	0.008
KR-17501	1-3/4	2.048 +0.003/-0	.122±.005	0.126 +0.010/-0	0.012	0.006	0.004
KR-17502	1-3/4	2.174 +0.004/-0	.155±.005	0.166 +0.010/-0	0.016	0.008	0.006
KR-17503	1-3/4	2.366 +0.005/-0	.235±.005	0.247 +0.010/-0	0.020	0.010	0.008
KR-18702	1-7/8	2.299 +0.004/-0	.155±.005	0.166 +0.010/-0	0.016	0.008	0.006
KR-20002	2	2.424 +0.004/-0	.155±.005	0.166 +0.010/-0	0.016	0.008	0.006
KR-20003	2	2.616 +0.005/-0	.235±.005	0.247 +0.010/-0	0.020	0.010	0.008
KR-21202	2-1/8	2.549 +0.004/-0	.155±.005	0.166 +0.010/-0	0.016	0.008	0.006
KR-22502	2-1/4	2.674 +0.004/-0	.155±.005	0.166 +0.010/-0	0.016	0.008	0.006
KR-25002	2-1/2	2.924 +0.004/-0	.155±.005	0.166 +0.010/-0	0.016	0.008	0.006
KR-25003	2-1/2	3.116 +0.005/-0	.235±.005	0.247 +0.010/-0	0.020	0.010	0.008

STYLE KR ROD BUFFER SEALS

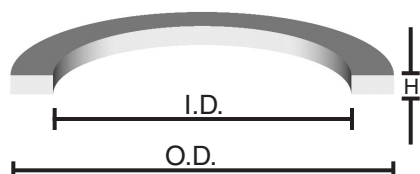


Part Number	B Nominal Rod Dia. Seal ID	A Groove Diameter	W Seal Width	G Groove Width	E - Maximum Diametrical Clearance		
					1000 PSI	3000 PSI	5000 PSI
KR-26203	2-5/8	3.241 +0.005/-0	.235±.005	0.247 +0.010/-0	0.020	0.010	0.008
KR-27503	2-3/4	3.366 +0.005/-0	.235±.005	0.247 +0.010/-0	0.020	0.010	0.008
KR-30002	3	3.424 +0.004/-0	.155±.005	0.166 +0.010/-0	0.016	0.008	0.006
KR-30003	3	3.616 +0.005/-0	.235±.005	0.247 +0.010/-0	0.020	0.010	0.008
KR-32503	3-1/4	3.866 +0.005/-0	.235±.005	0.247 +0.010/-0	0.020	0.010	0.008
KR-35003	3-1/2	4.116 +0.005/-0	.235±.005	0.247 +0.010/-0	0.020	0.010	0.008
KR-37503	3-3/4	4.366 +0.005/-0	.235±.005	0.247 +0.010/-0	0.020	0.010	0.008
KR-40002	4	4.424 +0.004/-0	.155±.005	0.166 +0.010/-0	0.016	0.008	0.006
KR-40003	4	4.616 +0.005/-0	.235±.005	0.247 +0.010/-0	0.020	0.010	0.008
KR-40004	4	4.830 +0.006/-0	.305±.005	0.320 +0.010/-0	0.024	0.012	0.009
KR-45003	4-1/2	5.116 +0.005/-0	.235±.005	0.247 +0.010/-0	0.020	0.010	0.008
KR-45004	4-1/2	5.330 +0.006/-0	.305±.005	0.320 +0.010/-0	0.024	0.012	0.009
KR-47503	4-3/4	5.366 +0.005/-0	.235±.005	0.247 +0.010/-0	0.020	0.010	0.008
KR-50003	5	5.616 +0.005/-0	.235±.005	0.247 +0.010/-0	0.020	0.010	0.008
KR-50004	5	5.830 +0.006/-0	.305±.005	0.320 +0.010/-0	0.024	0.012	0.009
KR-55004	5-1/2	6.330 +0.006/-0	.305±.005	0.320 +0.010/-0	0.024	0.012	0.009
KR-57504	5-3/4	6.580 +0.006/-0	.305±.005	0.320 +0.010/-0	0.024	0.012	0.009
KR-60003	6	6.616 +0.005/-0	.235±.005	0.247 +0.010/-0	0.020	0.010	0.008
KR-60004	6	6.830 +0.006/-0	.305±.005	0.320 +0.010/-0	0.024	0.012	0.009
KR-65003	6-1/2	7.116 +0.005/-0	.235±.005	0.247 +0.010/-0	0.020	0.010	0.008
KR-67504	6-3/4	7.580 +0.006/-0	.305±.005	0.320 +0.010/-0	0.024	0.012	0.009
KR-70003	7	7.616 +0.005/-0	.235±.005	0.247 +0.010/-0	0.020	0.010	0.008
KR-70004	7	7.830 +0.006/-0	.305±.005	0.320 +0.010/-0	0.024	0.012	0.009
KR-82504	8-1/4	9.080 +0.006/-0	.305±.005	0.320 +0.010/-0	0.024	0.012	0.009
KR-90004	9	9.830 +0.006/-0	.305±.005	0.320 +0.010/-0	0.024	0.012	0.009

BUFFER SEALS

STYLE RBS ROD BUFFER SEALS

The RBS style rod buffer seals are a rectangular urethane buffer ring designed to absorb pressure fluctuations thereby protecting the primary rod seal. Some sizes include a radial and axial slot, which faces the pressure, to relieve back pressure between the primary and buffer seal. This simple design is commonly found on older construction equipment.



SEAL INFORMATION

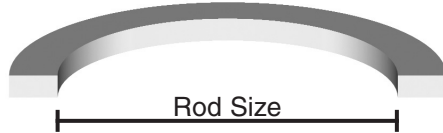
MATERIAL	92 A URETHANE
TEMPERATURE RANGE	-65° TO +220° F
PRESSURE RANGE	0 TO 5,000 PSI

BUFFER SEALS

Part Number	ID	OD	H.
RBS-1.2X1.6	1.250	1.620	0.118
RBS-1.50X2.00SL	1.500	2.000	0.118
RBS-1.75X2.25SL	1.750	2.250	0.118
RBS-2.00X2.50SL	2.000	2.500	0.118
RBS-2.25X2.87SL	2.250	2.870	0.190
RBS-2.50X3.12SL	2.500	3.120	0.190
RBS-3.00X3.62SL	3.000	3.620	0.190
RBS-4.0X4.4X.19	4.000	4.380	0.190
RBS-4.5X5.2X.17	4.500	5.220	0.170
RBS-6X6.7X.17	6.000	6.720	0.170
RBS-7.5X8.2X.17	7.500	8.220	0.170

CATERPILLAR® SPECIFIC BUFFER SEALS - 1 PIECE

See Caterpillar® heading in kit catalog for more Caterpillar® replacement parts.



SEAL INFORMATION

MATERIAL	92 A URETHANE
TEMPERATURE RANGE	-65° TO +220° F
PRESSURE RANGE	0 TO 5,000 PSI

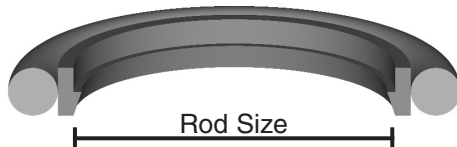
Part Number	Rod Size
CTC-5P4673	7/8
CTC-6J9733	1-1/2
CTC-9J3497	1-1/4
CTC-6J9178	1-3/4
CTC-4T6778	1-7/8
CTC-6J6917	2
CTC-5J3620	2-1/2
CTC-5J3616	2-1/4
CTC-4T6127	2-1/8
CTC-6J6553	2-3/4
CTC-6J6916	2-3/8
CTC-1U4020	2-5/8

Part Number	Rod Size
CTC-6J6915	3
CTC-6J6736	3-1/2
CTC-6J7167	3-1/4
CTC-8J6070	3-3/4
CTC-8J4627	4
CTC-7J8943	4-1/4
CTC-7J9257	4-3/4
CTC-3G5055	4-3/8
CTC-8J4509	5
CTC-6J8631	6-1/2
CTC-9J2495	7

BUFFER SEALS

CATERPILLAR® SPECIFIC BUFFER SEALS - 2 PIECE

See Caterpillar® heading in kit catalog for more Caterpillar® replacement parts.



SEAL INFORMATION

MATERIAL	BRONZE FILLED PTFE SEAL RUBBER ENERGIZER
TEMPERATURE RANGE	-40° TO +220° F
PRESSURE RANGE	0 TO 5,000 PSI

Part Number	Rod Size
CTC-8C9122	1-1/2
CTC-8C9123	1-3/4
CTC-8C9124	2
CTC-8C3839	2-1/2
CTC-8C9125	2-1/4
CTC-8C3841	2-3/4
CTC-8C9138	2-3/8

Part Number	Rod Size
CTC-8C9126	3
CTC-8C9127	3-1/2
CTC-8C9121	3-1/4
CTC-8C9128	3-3/4
CTC-8C9129	4
CTC-8C9130	7