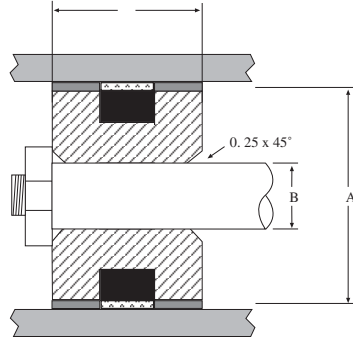




UNITIZED PISTONS FOR JOHN DEERE & NEW HOLLAND

The John Deere and New Holland Unitized Pistons are designed to handle a broad range of application parameters. The piston body is machined to exact dimensions and is constructed using four components: a high strength steel body, a non-metallic bearing, a rubber loading ring, and a filled PTFE seal ring. The non-metallic bearing is molded to the piston using a special proprietary process.



SEAL INFORMATION

MATERIAL	STEEL, NYLON, NBR, PTFE
TEMPERATURE RANGE	-40° TO +230° F
PRESSURE RANGE	0 TO 5,000 PSI

UNITIZED PISTON

Part Number	A Bore Diameter	B Hole Diameter	C Piston Width	List Price
JD-AH138200	50	16.56	31.24	\$ 98.42
JD-AH174930	50	20.55	31.24	100.15
JD-AH135785	56	16.59	31.24	129.50
JD-AH166138	63	22.58	31.24	120.87
JD-AH137177	63	22.58	31.24	124.32
JD-AH142159	63	20.57	31.24	97.30
JD-AH160647	63	22.58	31.24	124.32
JD-AH228448	63	24.56	31.24	67.78
JD-RE29383	63	22.20	31.24	126.05
JD-AH165962	70	27.58	36.25	181.30
JD-AH158623	70	24.56	36.25	100.15
JD-AH172352	70	22.58	36.25	127.77
JD-RE34084	70	24.56	36.25	181.30
JD-AH227867	70	27.58	36.25	100.15
JD-AH139078	80	24.56	29.08	233.10
NH-87432513	80	24.26	29.08	99.61
NH-83962807	80	24.26	29.08	77.83
JD-RE34085	80	27.58	40.74	108.78
JD-AH165826	80	27.58	40.74	108.78
JD-AH173410	80	30.58	40.74	150.22
JD-RE33968	80	27.58	40.74	233.10
NH-85800981	90	24.26	29.08	92.17
JD-AH136453	90	27.58	45.75	207.20
JD-AH169436	90	30.58	45.75	267.63
JD-AH169827	90	26.09	45.75	198.57

UNITIZED PISTONS FOR JOHN DEERE & NEW HOLLAND



Part Number	A Bore Diameter	B Hole Diameter	C Piston Width	List Price
JD-AH141183	90	30.58	45.75	\$ 184.17
JD-AH205062	90	30.58	45.75	250.37
NH-85800982	100	30.78	41.28	122.79
JD-AH166637	100	33.63	45.75	328.07
JD-AH159034	100	30.58	45.75	306.29
JD-AH164620	100	33.83	45.75	241.73
JD-AH169826	100	26.09	45.75	319.43
NH-81875232	110	30.25	45.09	134.68
NH-85800983	115	33.76	40.31	160.97
JD-AH168884	115	36.63	45.75	267.63
JD-AH167446	125	36.63	55.25	388.50

UNITIZED PISTON