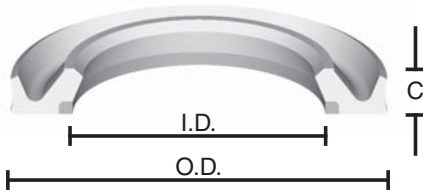


STYLE MYR BUFFER SEALS

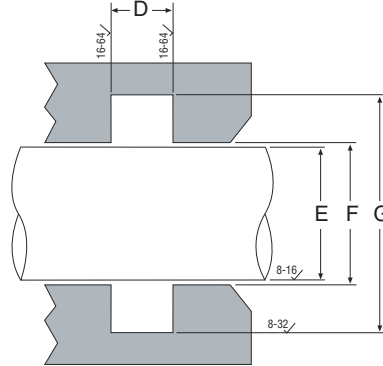


Molded in urethane and employing a back-up, this seal absorbs the shock of pressure spikes to protect the rod seal. The unique design relieves back pressure between the buffer and the rod seal.



PART NUMBERS

MYR - 40 X 50.7 X 3.9
 Type of Seal Rod Diameter Groove Diameter Height



SEAL INFORMATION

MATERIAL	URETHANE BUFFER NYLON BACK-UP
TEMPERATURE RANGE	-30° TO +220° F
PRESSURE RANGE	0 TO 7,000 PSI

Part Number	C Nom. Ht.	D Groove Width	E Rod Diameter	F Throat Diameter	G Housing Diameter	List Price
MYR-40X50.7X3.9	3.9	4.2 +0.20 -0.00	40 -0.025 -0.064	40 +0.062 -0.000	50.70 +0.20 -0.00	\$ 40.33
MYR-40X55.5X5.9	5.9	6.3 +0.20 -0.00	40 -0.025 -0.064	40 +0.062 -0.000	55.50 +0.20 -0.00	7.99
MYR-45X55.7X3.9	3.9	4.2 +0.20 -0.00	45 -0.025 -0.064	45 +0.062 -0.000	55.70 +0.20 -0.00	44.03
MYR-45X60.5X5.9	5.9	6.3 +0.20 -0.00	45 -0.025 -0.064	45 +0.062 -0.000	60.50 +0.20 -0.00	8.46
MYR-50X65.5X5.9	5.9	6.3 +0.20 -0.00	50 -0.025 -0.064	50 +0.062 -0.000	65.50 +0.20 -0.00	16.30
MYR-55X70.5X5.9	5.9	6.3 +0.20 -0.00	55 -0.030 -0.076	55 +0.074 -0.000	70.50 +0.20 -0.00	16.39
MYR-56X71.5X5.9	5.9	6.3 +0.20 -0.00	56 -0.030 -0.076	56 +0.074 -0.000	71.50 +0.20 -0.00	28.18
MYR-60X75.5X5.9	5.9	6.3 +0.20 -0.00	60 -0.030 -0.076	60 +0.074 -0.000	75.50 +0.20 -0.00	23.29
MYR-63X78.5X5.9	5.9	6.3 +0.20 -0.00	63 -0.030 -0.076	63 +0.074 -0.000	78.50 +0.20 -0.00	18.23
MYR-65X80.5X5.9	5.9	6.3 +0.20 -0.00	65 -0.030 -0.076	65 +0.074 -0.000	80.50 +0.20 -0.00	27.69
MYR-70X85.5X5.9	5.9	6.3 +0.20 -0.00	70 -0.030 -0.076	70 +0.074 -0.000	85.50 +0.20 -0.00	30.22
MYR-75X90.5X5.9	5.9	6.3 +0.20 -0.00	75 -0.030 -0.076	75 +0.074 -0.000	90.50 +0.20 -0.00	32.13
MYR-80X95.5X5.9	5.9	6.3 +0.20 -0.00	80 -0.030 -0.076	80 +0.074 -0.000	95.50 +0.20 -0.00	34.03
MYR-85X100.5X5.9	5.9	6.3 +0.20 -0.00	85 -0.036 -0.090	85 +0.087 -0.000	100.50 +0.20 -0.00	36.51
MYR-90X105.5X5.9	5.9	6.3 +0.20 -0.00	90 -0.036 -0.090	90 +0.087 -0.000	105.50 +0.20 -0.00	44.07
MYR-95X110.5X5.9	5.9	6.3 +0.20 -0.00	95 -0.036 -0.090	95 +0.087 -0.000	110.50 +0.20 -0.00	46.53
MYR-100X115.5X5.9	5.9	6.3 +0.20 -0.00	100 -0.036 -0.090	100 +0.087 -0.000	115.50 +0.20 -0.00	47.87
MYR-105X120.5X5.9	5.9	6.3 +0.20 -0.00	105 -0.036 -0.090	105 +0.087 -0.000	120.50 +0.20 -0.00	49.61

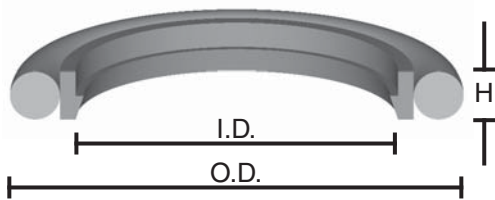

STYLE MYR BUFFER SEALS

Part Number	C Nom. Ht.	D Groove Width	E Rod Diameter	F Throat Diameter	G Housing Diameter	List Price
MYR-110X125.5X5.9	5.9	6.3 ^{+0.20} -0.00	110 ^{-0.036} -0.090	110 ^{+0.087} -0.000	125.50 ^{+0.20} -0.00	\$ 51.65
MYR-115X130.5X5.9	5.9	6.3 ^{+0.20} -0.00	115 ^{-0.036} -0.090	115 ^{+0.087} -0.000	130.50 ^{+0.20} -0.00	28.49
MYR-120X135.5X5.9	5.9	6.3 ^{+0.20} -0.00	120 ^{-0.036} -0.090	120 ^{+0.087} -0.000	135.50 ^{+0.20} -0.00	56.07
MYR-125X140.5X5.9	5.9	6.3 ^{+0.20} -0.00	125 ^{-0.043} -0.106	125 ^{+0.100} -0.000	140.50 ^{+0.20} -0.00	28.15
MYR-130X145.5X5.9	5.9	6.3 ^{+0.20} -0.00	130 ^{-0.043} -0.106	130 ^{+0.100} -0.000	145.50 ^{+0.20} -0.00	87.04
MYR-140X155.5X5.9	5.9	6.3 ^{+0.20} -0.00	140 ^{-0.043} -0.106	140 ^{+0.100} -0.000	155.50 ^{+0.20} -0.00	141.71
MYR-150X165.5X5.9	5.9	6.3 ^{+0.20} -0.00	150 ^{-0.043} -0.106	150 ^{+0.100} -0.000	165.50 ^{+0.20} -0.00	92.89
MYR-155X170.5X5.9	5.9	6.3 ^{+0.20} -0.00	155 ^{-0.043} -0.106	155 ^{+0.100} -0.000	170.50 ^{+0.20} -0.00	95.13
MYR-160X175.5X5.9	5.9	6.3 ^{+0.20} -0.00	160 ^{-0.043} -0.106	160 ^{+0.100} -0.000	175.50 ^{+0.20} -0.00	142.44
MYR-165X180.5X5.9	5.9	6.3 ^{+0.20} -0.00	165 ^{-0.043} -0.106	165 ^{+0.100} -0.000	180.50 ^{+0.20} -0.00	151.62
MYR-170X185.5X5.9	5.9	6.3 ^{+0.20} -0.00	170 ^{-0.043} -0.106	170 ^{+0.100} -0.000	185.50 ^{+0.20} -0.00	200.84
MYR-180X195.5X5.9	5.9	6.3 ^{+0.20} -0.00	180 ^{-0.043} -0.106	180 ^{+0.100} -0.000	195.50 ^{+0.20} -0.00	280.29
MYR-190X205.5X5.9	5.9	6.3 ^{+0.20} -0.00	190 ^{-0.050} -0.122	190 ^{+0.115} -0.000	205.50 ^{+0.20} -0.00	158.04

BUFFER SEALS

STYLE MKR BUFFER SEALS

Molded in PTFE with a rubber energizer, this seal absorbs the shock of pressure spikes to protect the rod seal.



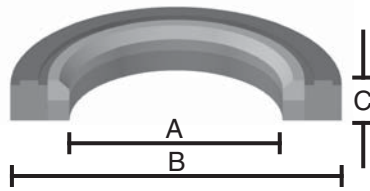
SEAL INFORMATION

MATERIAL	FILLED PTFE BUFFER 70A NITRILE ENERGIZER
TEMPERATURE RANGE	-40° TO +220° F
PRESSURE RANGE	0 TO 5,000 PSI
PART NUMBER	(Prefix) - (ID) X (OD) X (H)

Part Number	List Price	Part Number	List Price	Part Number	List Price	Part Number	List Price
MKR-06X11X2	\$ 3.67	MKR-25X35.7X4	\$ 16.94	MKR-50X61X4	\$ 15.25	MKR-90X105.5X5.9	\$ 35.57
MKR-08X13X2	9.97	MKR-30X40.7X3.9	21.37	MKR-50X62.6X4	25.37	MKR-95X110.5X5.9	36.71
MKR-08X15.5X3	9.86	MKR-32X39.5X3	14.22	MKR-50X65.5X5.9	15.25	MKR-100X115.5X5.9	37.29
MKR-12X17X2	4.37	MKR-32X43X4	7.11	MKR-55X70.5X5.9	25.43	MKR-105X120.5X5.9	42.43
MKR-12X19.5X3	9.05	MKR-35X42.5X3	18.23	MKR-56X68.6X4	25.43	MKR-110X125.5X5.9	44.29
MKR-14X21.5X3	6.54	MKR-35X46X4	7.68	MKR-56X71.5X5.9	18.35	MKR-115X130.5X5.9	44.16
MKR-15X22.5X3	9.05	MKR-36X43.5X3	7.77	MKR-60X71X4	19.38	MKR-120X135.5X5.9	44.37
MKR-16X23.5X3	4.37	MKR-36X47X4	7.68	MKR-60X75.5X5.9	25.43	MKR-125X140.5X5.9	44.86
MKR-18X23X2	8.48	MKR-40X51X4	12.51	MKR-63X78.5X5.9	20.99	MKR-130X145.5X5.9	45.20
MKR-18X25.5X3	4.58	MKR-40X52.6X4	21.65	MKR-65X80.5X5.9	24.52	MKR-150X165.5X5.9	48.20
MKR-20X27.5X3	6.43	MKR-40X55.5X5.9	21.57	MKR-70X81X4	22.48	MKR-160X175.5X5.9	49.61
MKR-20X31X4	6.43	MKR-45X56X4	15.25	MKR-70X85.5X5.9	28.49	MKR-170X185.5X5.9	60.98
MKR-22X29.5X3	6.54	MKR-45X57.6X4	20.79	MKR-75X90.5X5.9	30.39		
MKR-22X33X4	6.54	MKR-45X60.5X5.9	15.25	MKR-80X95.5X5.9	32.75		
MKR-25X32.5X3	6.66	MKR-50X60X4.5	19.94	MKR-85X100.5X5.9	32.34		

STYLE MNBR BUFFER SEALS

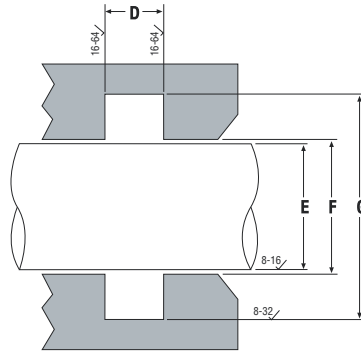
Molded in PTFE with a rubber energizer and nylon anti-extrusion ring, this seal absorbs the shock of pressure spikes to protect the rod seal.



PART NUMBERS

MNBR - 55 X 70.5 X 5.9

Type of Seal I.D. O.D. Height



SEAL INFORMATION

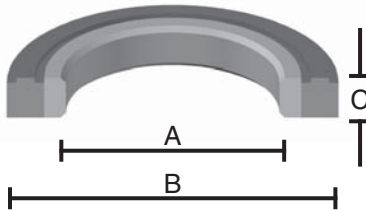
MATERIAL	PTFE BUFFER 70A NBR ENERGIZER NYLON BACK-UP
TEMPERATURE RANGE	-40° TO +220° F
PRESSURE RANGE	0 TO 5,000 PSI
PART NUMBER	(Prefix) - (ID) X (OD) X (H)

BUFFER SEALS

Part Number	A Nom. I.D.	B Nom. O.D.	C Nom. Ht.	E Rod Diameter	F Housing Diameter	G Groove Width	List Price
MNBR-55X70.5X5.9	55	70.5	5.9	55 -0.030 -0.076	70.5 +0.074 0.000	6.3 +0.200 0.000	\$ 29.54
MNBR-60X75.5X5.9	60	75.5	5.9	60 -0.030 -0.076	75.5 +0.074 0.000	6.3 +0.200 0.000	31.83
MNBR-65X80.5X5.9	65	80.5	5.9	65 -0.030 -0.076	80.5 +0.087 0.000	6.3 +0.200 0.000	34.08
MNBR-70X85.5X5.9	70	85.5	5.9	70 -0.030 -0.076	85.5 +0.087 0.000	6.3 +0.200 0.000	36.33
MNBR-75X90.5X5.9	75	90.5	5.9	75 -0.030 -0.076	90.5 +0.087 0.000	6.3 +0.200 0.000	38.61
MNBR-80X95.5X5.9	80	95.5	5.9	80 -0.030 -0.076	95.5 +0.087 0.000	6.3 +0.200 0.000	40.90
MNBR-85X100.5X5.9	85	100.5	5.9	85 -0.036 -0.090	100.5 +0.087 0.000	6.3 +0.200 0.000	43.17
MNBR-90X105.5X5.9	90	105.5	5.9	90 -0.036 -0.090	105.5 +0.087 0.000	6.3 +0.200 0.000	45.43
MNBR-95X110.5X5.9	95	110.5	5.9	95 -0.036 -0.090	110.5 +0.087 0.000	6.3 +0.200 0.000	47.68
MNBR-100X115.5X5.9	100	115.5	5.9	100 -0.036 -0.090	115.5 +0.087 0.000	6.3 +0.200 0.000	52.22
MNBR-105X120.5X5.9	105	120.5	5.9	105 -0.036 -0.090	120.5 +0.100 0.000	6.3 +0.200 0.000	54.49
MNBR-110X125.5X5.9	110	125.5	5.9	110 -0.036 -0.090	125.5 +0.100 0.000	6.3 +0.200 0.000	56.81
MNBR-115X130.5X5.9	115	130.5	5.9	115 -0.036 -0.090	130.5 +0.100 0.000	6.3 +0.200 0.000	59.06
MNBR-120X135.5X5.9	120	135.5	5.9	120 -0.036 -0.090	135.5 +0.100 0.000	6.3 +0.200 0.000	62.52
MNBR-125X140.5X5.9	125	140.5	5.9	125 -0.043 -0.106	140.5 +0.100 0.000	6.3 +0.200 0.000	31.93

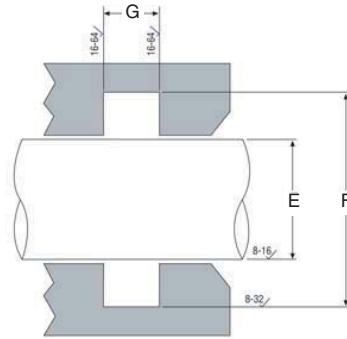
STYLE MSBR BUFFER SEALS

Molded in Nylon with a rubber energizer, this seal absorbs the shock of pressure spikes and relieves back pressure by way of slots on the pressure side of the energizer.



PART NUMBERS

MSBR - 70 X 80 X 6.3
 Type of Seal I.D. O.D. Height



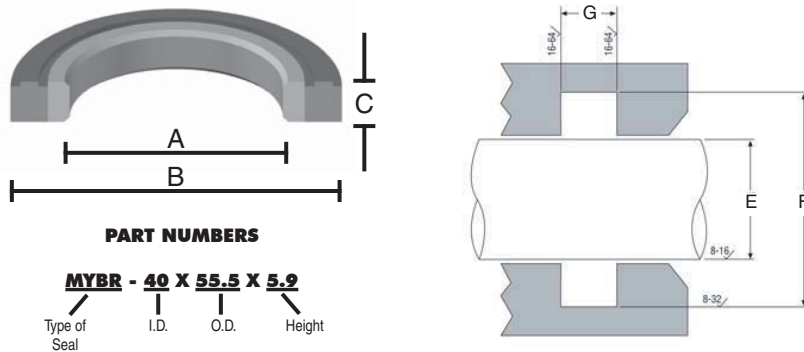
SEAL INFORMATION

MATERIAL	NYLON BUFFER 70A NITRILE ENER- GIZER
TEMPERATURE RANGE	-40° TO +220° F
PRESSURE RANGE	0 TO 5,000 PSI
PART NUMBER	(Prefix) - (ID) X (OD) X (H)

Part Number	A Nom. I.D.	B Nom. O.D.	C Nom. Ht.	E Rod Diameter	F Housing Diameter	G Groove Width	List Price
MSBR-70X80X6.3	70	80	5.9	70 -0.030 -0.076	80 $+0.074$ 0.000	6.3 $+0.200$ 0.000	\$ 19.85
MSBR-75X85X6.3	75	85	5.9	75 -0.030 -0.076	85 $+0.087$ 0.000	6.3 $+0.200$ 0.000	21.10
MSBR-80X90X6.3	80	90	5.9	80 -0.030 -0.076	90 $+0.087$ 0.000	6.3 $+0.200$ 0.000	22.35
MSBR-85X95X6.3	85	95	5.9	85 -0.036 -0.090	95 $+0.087$ 0.000	6.3 $+0.200$ 0.000	23.58
MSBR-90X100X6.3	90	100	5.9	90 -0.036 -0.090	100 $+0.087$ 0.000	6.3 $+0.200$ 0.000	24.84
MSBR-95X105X6.3	95	105	5.9	95 -0.036 -0.090	105 $+0.087$ 0.000	6.3 $+0.200$ 0.000	26.08
MSBR-100X110X6.3	100	110	5.9	100 -0.036 -0.090	110 $+0.087$ 0.000	6.3 $+0.200$ 0.000	28.54
MSBR-110X120X6.3	110	120	5.9	110 -0.036 -0.090	120 $+0.087$ 0.000	6.3 $+0.200$ 0.000	31.01

STYLE MYBR BUFFER SEALS

Molded in PTFE with a rubber energizer, this seal absorbs the shock of pressure spikes to protect the rod seal. This style relieves back pressure by way of slots on the pressure side of the energizer.



SEAL INFORMATION

MATERIAL	FILLED PTFE BUFFER 70A NITRILE ENERGIZER
TEMPERATURE RANGE	-40° TO +220° F
PRESSURE RANGE	0 TO 5,000 PSI
PART NUMBER	(Prefix) - (ID) X (OD) X (H)

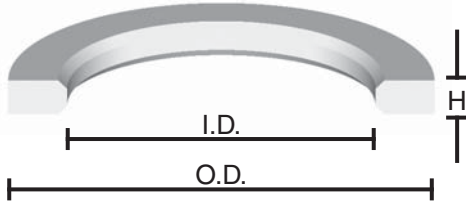
BUFFER SEALS

Part Number	A Nom. I.D.	B Nom. O.D.	C Nom. Ht.	E Rod Diameter	F Housing Diameter	G Groove Width	List Price
MYBR-40X55.5X5.9	40	55.5	5.9	40 ^{-0.025} / _{-0.064}	55.5 ^{+0.074} / _{0.000}	6.3 ^{+0.200} / _{0.000}	\$ 10.05
MYBR-45X60.5X5.9	45	60.5	5.9	45 ^{-0.025} / _{-0.064}	60.5 ^{+0.074} / _{0.000}	6.3 ^{+0.200} / _{0.000}	10.84
MYBR-55X70.5X5.9	55	70.5	5.9	55 ^{-0.030} / _{-0.076}	70.5 ^{+0.074} / _{0.000}	6.3 ^{+0.200} / _{0.000}	20.51
MYBR-60X75.5X5.9	60	75.5	5.9	60 ^{-0.030} / _{-0.076}	75.5 ^{+0.074} / _{0.000}	6.3 ^{+0.200} / _{0.000}	22.16
MYBR-65X80.5X5.9	65	80.5	5.9	65 ^{-0.030} / _{-0.076}	80.5 ^{+0.087} / _{0.000}	6.3 ^{+0.200} / _{0.000}	23.73
MYBR-70X85.5X5.9	70	85.5	5.9	70 ^{-0.030} / _{-0.076}	85.5 ^{+0.087} / _{0.000}	6.3 ^{+0.200} / _{0.000}	25.33
MYBR-75X90.5X5.9	75	90.5	5.9	75 ^{-0.030} / _{-0.076}	90.5 ^{+0.087} / _{0.000}	6.3 ^{+0.200} / _{0.000}	26.92
MYBR-80X95.5X5.9	80	95.5	5.9	80 ^{-0.030} / _{-0.076}	95.5 ^{+0.087} / _{0.000}	6.3 ^{+0.200} / _{0.000}	28.49
MYBR-85X100.5X5.9	85	100.5	5.9	85 ^{-0.036} / _{-0.090}	100.5 ^{+0.087} / _{0.000}	6.3 ^{+0.200} / _{0.000}	30.06
MYBR-90X105.5X5.9	90	105.5	5.9	90 ^{-0.036} / _{-0.090}	105.5 ^{+0.087} / _{0.000}	6.3 ^{+0.200} / _{0.000}	31.64
MYBR-95X110.5X5.9	95	110.5	5.9	95 ^{-0.036} / _{-0.090}	110.5 ^{+0.087} / _{0.000}	6.3 ^{+0.200} / _{0.000}	33.27
MYBR-100X115.5X5.9	100	115.5	5.9	100 ^{-0.036} / _{-0.090}	115.5 ^{+0.087} / _{0.000}	6.3 ^{+0.200} / _{0.000}	36.39
MYBR-105X120.5X5.9	105	120.5	5.9	105 ^{-0.036} / _{-0.090}	120.5 ^{+0.100} / _{0.000}	6.3 ^{+0.200} / _{0.000}	38.02
MYBR-110X125.5X5.9	110	125.5	5.9	110 ^{-0.036} / _{-0.090}	125.5 ^{+0.100} / _{0.000}	6.3 ^{+0.200} / _{0.000}	39.60
MYBR-115X130.5X5.9	115	130.5	5.9	115 ^{-0.036} / _{-0.090}	130.5 ^{+0.100} / _{0.000}	6.3 ^{+0.200} / _{0.000}	25.48
MYBR-120X135.5X5.9	120	135.5	5.9	120 ^{-0.036} / _{-0.090}	135.5 ^{+0.100} / _{0.000}	6.3 ^{+0.200} / _{0.000}	41.17
MYBR-130X145.5X5.9	130	145.5	5.9	130 ^{-0.043} / _{-0.106}	145.5 ^{+0.100} / _{0.000}	6.3 ^{+0.200} / _{0.000}	28.66

STYLE MIR BUFFER SEALS

Molded in polyurethane, this buffer seal is a simple flat, washer-like profile.

G2 = Glass / PTFE



SEAL INFORMATION

MATERIAL	URETHANE
TEMPERATURE RANGE	-40° TO +200° F
PRESSURE RANGE	0 TO 5,000 PSI
PART NUMBER	(Prefix) - (ID) X (OD) X (H)

Part Number	List Price	Part Number	List Price	Part Number	List Price	Part Number	List Price
MIR-25X33.6X2.3	18.38	MIR-50X58X2.9	\$ 7.22	MIR-63X80X4.7	\$ 9.25	MIR-80X93X4	\$ 12.39
MIR-30X41X2.9	20.58	MIR-50X62X3	5.27	MIR-65X78X4	9.87	MIR-90X104X4	5.21
MIR-35X46X2.9	3.66	MIR-50X62.6X4	8.43	MIR-70X83X4	11.14	MIR-100X113X4	12.47
MIR-35X48X3	7.48	MIR-56X68.6X4	8.91	MIR-70X83.5X3	10.51		
MIR-40X48X3	7.62	MIR-56X70X3	8.91	MIR-70X84X3	11.14		
MIR-50X55.5X3.4-G2	15.18	MIR-56X73X4.8	8.61	MIR-75X88X4	4.67		