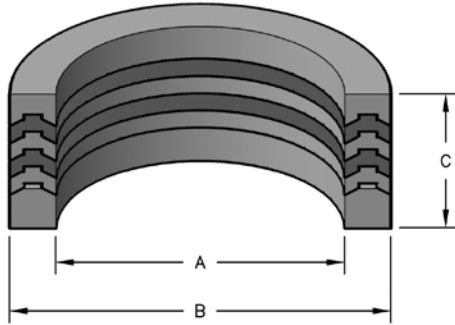


HYDROLOCK VEE PACKING SETS

These vee sets utilize hytrel & nylon vees to cover pressure from 0 to 6,000 psi and provide excellent extrusion resistance. Male & female bearings are molded from glass filled nylon. **NOTE:** These vee sets do not contain guidelock bearings. They are sold separately as shown on the next page.



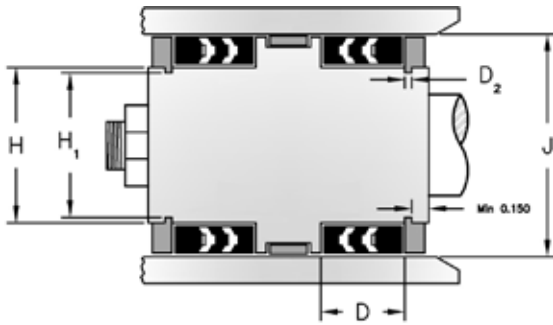
PART NUMBERS

HDLV 1741 - 275 - 100FB

Type of Seal # of Vees Outside Diameter Bearing Height

FB= FEMALE BEARING

1740 = 3 VEES
1741 = 4 VEES
1742 = 5 VEES



SEAL INFORMATION

MATERIAL	HYTREL & NYLON
TEMPERATURE RANGE	-40° TO +220° F
PRESSURE RANGE	0 TO 6,000 PSI
SPEED	1.5 FT/SEC
PART NUMBER	(Prefix)-(# of vees)-(OD)-(Bearing Height)

Part Number	A Nom. ID	B Nom. OD	C Nom. Ht	D GROOVE WIDTH	H GROOVE DIAMETER	H ₁ BEARING GROOVE DIAMETER	J BORE DIAMETER	D ₂ BASE GROOVE WIDTH	List Price
HDLV-1741-175	1-1/4	1-3/4	.82	.820 ±.005	1.250 ^{+0.000} / _{-.005}	N/A	1.750 ^{+0.010} / _{+0.000}	N/A	\$43.73
HDLV-1742-200	1-1/2	2	1	1.000 ±.005	1.500 ^{+0.000} / _{-.005}	1.375 ^{+0.000} / _{-.003}	2.000 ^{+0.010} / _{+0.000}	.252 ^{+0.005} / _{+0.000}	52.39
HDLV-1742-225	1-3/4	2-1/4	1	1.000 ±.005	1.750 ^{+0.000} / _{-.005}	1.500 ^{+0.000} / _{-.003}	2.250 ^{+0.010} / _{+0.000}	.252 ^{+0.005} / _{+0.000}	38.67
HDLV-1742-250	2	2-1/2	1	1.000 ±.005	2.000 ^{+0.000} / _{-.005}	1.750 ^{+0.000} / _{-.003}	2.500 ^{+0.010} / _{+0.000}	.252 ^{+0.005} / _{+0.000}	40.23
HDLV-1742-250-100FB	2	2-1/2	1-3/4	1.750 ±.005	2.000 ^{+0.000} / _{-.005}	1.750 ^{+0.000} / _{-.003}	2.500 ^{+0.010} / _{+0.000}	.252 ^{+0.005} / _{+0.000}	74.01
HDLV-275-200-175	2	2-3/4	1-3/4	1.750 ±.005	2.000 ^{+0.000} / _{-.005}	N/A	2.750 ^{+0.010} / _{+0.000}	N/A	73.91
HDLV-1742-275	2-1/4	2-3/4	1	1.000 ±.005	2.250 ^{+0.000} / _{-.005}	2.000 ^{+0.000} / _{-.003}	2.750 ^{+0.010} / _{+0.000}	.252 ^{+0.005} / _{+0.000}	45.79
HDLV-1741-275-100FB	2-1/4	2-3/4	1-5/8	1.625 ±.005	2.250 ^{+0.000} / _{-.005}	2.250 ^{+0.000} / _{-.008}	2.750 ^{+0.010} / _{+0.000}	.252 ^{+0.005} / _{+0.000}	74.35
HDLV-1742-275-100FB	2-1/4	2-3/4	1-3/4	1.750 ±.005	2.250 ^{+0.000} / _{-.005}	2.000 ^{+0.000} / _{-.003}	2.750 ^{+0.010} / _{+0.000}	.252 ^{+0.005} / _{+0.000}	66.87
HDLV-300-250-082	2-1/2	3	13/16	.813 ±.005	2.500 ^{+0.000} / _{-.005}	N/A	3.000 ^{+0.010} / _{+0.000}	N/A	40.33
HDLV-300-250-087	2-1/2	3	7/8	.875 ±.005	2.500 ^{+0.000} / _{-.005}	N/A	3.000 ^{+0.010} / _{+0.000}	N/A	43.93
HDLV-1742-300	2-1/2	3	1	1.000 ±.005	2.500 ^{+0.000} / _{-.005}	2.250 ^{+0.000} / _{-.003}	3.000 ^{+0.010} / _{+0.000}	.252 ^{+0.005} / _{+0.000}	39.51
HDLV-1741-300-050FB	2-1/2	3	1-1/8	1.125 ±.005	2.500 ^{+0.000} / _{-.005}	2.250 ^{+0.000} / _{-.003}	3.000 ^{+0.010} / _{+0.000}	.252 ^{+0.005} / _{+0.000}	46.38
HDLV-1742-312-100FB	2-1/2	3-1/8	1-11/16	1.687 ±.005	2.500 ^{+0.000} / _{-.005}	N/A	3.125 ^{+0.010} / _{+0.000}	N/A	123.23

HYDROLOCK VEE PACKING SETS



Part Number	A Nom. ID	B Nom. OD	C Nom. Ht	D GROOVE WIDTH	H GROOVE DIAMETER	H ₁ BEARING GROOVE DIAMETER	J BORE DIAMETER	D ₂ BASE GROOVE WIDTH	List Price
HDLV-1742-300-100FB	2-1/2	3	1-3/4	1.750 ±.005	2.500 ^{+0.000} _{-.005}	2.250 ^{+0.000} _{-.003}	3.000 ^{+0.010} _{+0.000}	.252 ^{+0.005} _{+0.000}	93.31
HDLV-1742-325	2-3/4	3-1/4	1	1.000 ±.005	2.750 ^{+0.000} _{-.005}	2.500 ^{+0.000} _{-.003}	3.250 ^{+0.010} _{+0.000}	.252 ^{+0.005} _{+0.000}	46.38
HDLV-1742-325-100FB	2-3/4	3-1/4	1-3/4	1.750 ±.005	2.750 ^{+0.000} _{-.005}	2.500 ^{+0.000} _{-.003}	3.250 ^{+0.010} _{+0.000}	.252 ^{+0.005} _{+0.000}	73.53
HDLV-1740-350	3	3-1/2	3/4	.750 ±.005	3.000 ^{+0.000} _{-.005}	2.750 ^{+0.000} _{-.003}	3.500 ^{+0.010} _{+0.000}	.252 ^{+0.005} _{+0.000}	30.60
HDLV-350-300-082	3	3-1/2	13/16	.813 ±.005	3.000 ^{+0.000} _{-.005}	N/A	3.500 ^{+0.010} _{+0.000}	N/A	40.82
HDLV-1742-350	3	3-1/2	1	1.000 ±.005	3.000 ^{+0.000} _{-.005}	2.750 ^{+0.000} _{-.003}	3.500 ^{+0.010} _{+0.000}	.252 ^{+0.005} _{+0.000}	48.73
HDLV-1741-350-050FB	3	3-1/2	1-1/8	1.125 ±.005	3.000 ^{+0.000} _{-.005}	2.750 ^{+0.000} _{-.003}	3.500 ^{+0.010} _{+0.000}	.252 ^{+0.005} _{+0.000}	83.63
HDLV-1742-350-100FB	3	3-1/2	1-3/4	1.750 ±.005	3.000 ^{+0.000} _{-.005}	2.750 ^{+0.000} _{-.003}	3.500 ^{+0.010} _{+0.000}	.252 ^{+0.005} _{+0.000}	111.82
HDLV-375-300-175	3	3-3/4	1-3/4	1.750 ±.005	3.000 ^{+0.000} _{-.005}	N/A	3.750 ^{+0.010} _{+0.000}	N/A	85.14
HDLV-1742-375	3-1/4	3-3/4	1	1.000 ±.005	3.250 ^{+0.000} _{-.005}	3.000 ^{+0.000} _{-.003}	3.750 ^{+0.010} _{+0.000}	.252 ^{+0.005} _{+0.000}	71.16
HDLV-1740-400	3-1/2	4	3/4	.750 ±.005	3.500 ^{+0.000} _{-.005}	3.250 ^{+0.000} _{-.003}	4.000 ^{+0.010} _{+0.000}	.377 ^{+0.005} _{+0.000}	48.41
HDLV-425-350-087	3-1/2	4-1/4	7/8	.875 ±.005	3.500 ^{+0.000} _{-.005}	N/A	4.250 ^{+0.010} _{+0.000}	N/A	76.50
HDLV-1742-400	3-1/2	4	1	1.000 ±.005	3.500 ^{+0.000} _{-.005}	3.250 ^{+0.000} _{-.003}	4.000 ^{+0.010} _{+0.000}	.377 ^{+0.005} _{+0.000}	55.73
HDLV-1741-400-050FB	3-1/2	4	1-1/8	1.125 ±.005	3.500 ^{+0.000} _{-.005}	3.250 ^{+0.000} _{-.003}	4.000 ^{+0.010} _{+0.000}	.377 ^{+0.005} _{+0.000}	68.76
HDLV-1742-400-100FB	3-1/2	4	1-3/4	1.750 ±.005	3.500 ^{+0.000} _{-.005}	3.250 ^{+0.000} _{-.003}	4.000 ^{+0.010} _{+0.000}	.377 ^{+0.005} _{+0.000}	102.47
HDLV-1741-425-100FB	3-3/4	4-1/4	1-5/8	1.625 ±.005	3.750 ^{+0.000} _{-.005}	3.500 ^{+0.000} _{-.003}	4.250 ^{+0.010} _{+0.000}	.377 ^{+0.005} _{+0.000}	86.30
HDLV-450-400-082	4	4-1/2	13/16	.813 ±.005	4.000 ^{+0.000} _{-.005}	N/A	4.500 ^{+0.010} _{+0.000}	N/A	43.55
HDLV-1742-450	4	4-1/2	1	1.000 ±.005	4.000 ^{+0.000} _{-.005}	3.750 ^{+0.000} _{-.030}	4.500 ^{+0.010} _{+0.000}	.377 ^{+0.005} _{+0.000}	61.43
HDLV-1741-450-050FB	4	4-1/2	1-1/8	1.125 ±.005	4.000 ^{+0.000} _{-.005}	3.750 ^{+0.000} _{-.003}	4.500 ^{+0.010} _{+0.000}	.377 ^{+0.005} _{+0.000}	76.96
HDLV-1742-450-100FB	4	4-1/2	1-3/4	1.750 ±.005	4.000 ^{+0.000} _{-.005}	3.750 ^{+0.000} _{-.003}	4.500 ^{+0.010} _{+0.000}	.377 ^{+0.005} _{+0.000}	102.47
HDLV-503-402-152	4.02	5.03	1.527	1.527 ±.005	4.020 ^{+0.000} _{-.005}	N/A	5.030 ^{+0.010} _{+0.000}	N/A	43.17
HDLV-1740-500	4-1/2	5	3/4	.750 ±.005	4.500 ^{+0.000} _{-.005}	4.125 ^{+0.000} _{-.003}	5.000 ^{+0.010} _{+0.000}	.377 ^{+0.005} _{+0.000}	78.45
HDLV-1741-500	4-1/2	5	7/8	.875 ±.005	4.500 ^{+0.000} _{-.005}	4.125 ^{+0.000} _{-.003}	5.000 ^{+0.010} _{+0.000}	.377 ^{+0.005} _{+0.000}	48.29
HDLV-1742-500	4-1/2	5	1	1.000 ±.005	4.500 ^{+0.000} _{-.005}	4.125 ^{+0.000} _{-.003}	5.000 ^{+0.010} _{+0.000}	.377 ^{+0.005} _{+0.000}	97.60
HDLV-1741-500-050FB	4-1/2	5	1-1/8	1.125 ±.005	4.500 ^{+0.000} _{-.005}	4.125 ^{+0.000} _{-.003}	5.000 ^{+0.010} _{+0.000}	.377 ^{+0.005} _{+0.000}	72.81
HDLV-1741-500-075FB	4-1/2	5	1-3/8	1.375 ±.005	4.500 ^{+0.000} _{-.005}	4.125 ^{+0.000} _{-.003}	5.000 ^{+0.010} _{+0.000}	.377 ^{+0.005} _{+0.000}	70.61
HDLV-1742-500-100FB	4-1/2	5	1-3/4	1.750 ±.005	4.500 ^{+0.000} _{-.005}	4.125 ^{+0.000} _{-.003}	5.000 ^{+0.010} _{+0.000}	.377 ^{+0.005} _{+0.000}	144.35
HDLV-550-500-082	5	5-1/2	13/16	.813 ±.005	5.000 ^{+0.000} _{-.005}	N/A	5.500 ^{+0.010} _{+0.000}	N/A	50.47
HDLV-1742-550	5	5-1/2	1	1.000 ±.005	5.000 ^{+0.000} _{-.005}	4.625 ^{+0.000} _{-.003}	5.500 ^{+0.010} _{+0.000}	.377 ^{+0.005} _{+0.000}	107.19
HDLV-1742-550-050FB	5	5-1/2	1-1/4	1.250 ±.005	5.000 ^{+0.000} _{-.005}	4.625 ^{+0.000} _{-.003}	5.500 ^{+0.010} _{+0.000}	.377 ^{+0.005} _{+0.000}	102.93

HYDROLOCK VEE PACKING SETS

Part Number	A Nom. ID	B Nom. OD	C Nom. Ht	D GROOVE WIDTH	H GROOVE DIAMETER	H ₁ BEARING GROOVE DIAMETER	J BORE DIAMETER	D ₂ BASE GROOVE WIDTH	List Price
HDLV-603-503-150	5.03	6.03	1-1/2	1.500 ±.005	5.030 ^{+0.000} _{-.005}	N/A	6.030 ^{+0.010} _{+0.000}	N/A	66.18
HDLV-1740-600	5-1/2	6	3/4	.750 ±.005	5.500 ^{+0.000} _{-.005}	5.125 ^{+0.000} _{-.003}	6.000 ^{+0.010} _{+0.000}	.377 ^{+0.005} _{+0.000}	44.91
HDLV-1742-600	5-1/2	6	1	1.000 ±.005	5.500 ^{+0.000} _{-.005}	5.125 ^{+0.000} _{-.003}	6.000 ^{+0.010} _{+0.000}	.377 ^{+0.005} _{+0.000}	115.74
HDLV-1741-600-050FB	5-1/2	6	1-1/8	1.125 ±.005	5.500 ^{+0.000} _{-.005}	5.125 ^{+0.000} _{-.003}	6.000 ^{+0.010} _{+0.000}	.377 ^{+0.005} _{+0.000}	116.22
HDLV-1742-600-100FB	5-1/2	6	1-3/4	1.750 ±.005	5.500 ^{+0.000} _{-.005}	5.125 ^{+0.000} _{-.003}	6.000 ^{+0.010} _{+0.000}	.377 ^{+0.005} _{+0.000}	120.40
HDLV-1740-627	5-3/4	6.265	3/4	.750 ±.005	5.750 ^{+0.000} _{-.005}	5.375 ^{+0.000} _{-.003}	6.265 ^{+0.010} _{+0.000}	.377 ^{+0.005} _{+0.000}	48.56
HDLV-1742-650	6	6-1/2	1	1.000 ±.005	6.000 ^{+0.000} _{-.005}	5.625 ^{+0.000} _{-.003}	6.500 ^{+0.010} _{+0.000}	.377 ^{+0.005} _{+0.000}	129.98
HDLV-1742-650-050FB	6	6-1/2	1-1/4	1.250 ±.005	6.000 ^{+0.000} _{-.005}	5.625 ^{+0.000} _{-.003}	6.500 ^{+0.010} _{+0.000}	.377 ^{+0.005} _{+0.000}	122.39
HDLV-1742-650-100FB	6	6-1/2	1-3/4	1.750 ±.005	6.000 ^{+0.000} _{-.005}	5.625 ^{+0.000} _{-.003}	6.500 ^{+0.010} _{+0.000}	.377 ^{+0.005} _{+0.000}	132.37
HDLV-703-603-150	6.03	7.03	1-1/2	1.500 ±.005	6.030 ^{+0.000} _{-.005}	N/A	7.030 ^{+0.010} _{+0.000}	N/A	81.13
HDLV-1742-700	6-1/2	7	1	1.000 ±.005	6.500 ^{+0.000} _{-.005}	6.125 ^{+0.000} _{-.003}	7.000 ^{+0.010} _{+0.000}	.377 ^{+0.005} _{+0.000}	121.92
HDLV-1742-700-100FB	6-1/2	7	1-3/4	1.750 ±.005	6.500 ^{+0.000} _{-.005}	6.125 ^{+0.000} _{-.003}	7.000 ^{+0.010} _{+0.000}	.377 ^{+0.005} _{+0.000}	200.43
HDLV-1741-725	6-3/4	7-1/4	7/8	.875 ±.005	6.750 ^{+0.000} _{-.005}	N/A	7.250 ^{+0.010} _{+0.000}	N/A	125.94
HDLV-1742-750	7	7-1/2	1	1.000 ±.005	7.000 ^{+0.000} _{-.005}	6.625 ^{+0.000} _{-.003}	7.500 ^{+0.010} _{+0.000}	.377 ^{+0.005} _{+0.000}	124.27
HDLV-1742-750-100FB	7	7-1/2	1-3/4	1.750 ±.005	7.000 ^{+0.000} _{-.005}	6.625 ^{+0.000} _{-.003}	7.500 ^{+0.010} _{+0.000}	.377 ^{+0.005} _{+0.000}	207.52
HDLV-800-080	7-1/2	8	.8	.800 ±.005	7.500 ^{+0.000} _{-.005}	7.125 ^{+0.000} _{-.003}	8.000 ^{+0.010} _{+0.000}	.377 ^{+0.005} _{+0.000}	136.60
HDLV-1742-800	7-1/2	8	1	1.000 ±.005	7.500 ^{+0.000} _{-.005}	7.125 ^{+0.000} _{-.003}	8.000 ^{+0.010} _{+0.000}	.377 ^{+0.005} _{+0.000}	144.44
HDLV-1742-800-100FB	7-1/2	8	1-3/4	1.750 ±.005	7.500 ^{+0.000} _{-.005}	7.125 ^{+0.000} _{-.003}	8.000 ^{+0.010} _{+0.000}	.377 ^{+0.005} _{+0.000}	222.37
HDLV-1742-850-100FB	8	8-1/2	1-3/4	1.750 ±.005	8.000 ^{+0.000} _{-.005}	7.625 ^{+0.000} _{-.003}	8.500 ^{+0.010} _{+0.000}	.377 ^{+0.005} _{+0.000}	225.32
HDLV-1742-900	8-1/2	9	1	1.000 ±.005	8.500 ^{+0.000} _{-.005}	8.125 ^{+0.000} _{-.003}	9.000 ^{+0.010} _{+0.000}	.377 ^{+0.005} _{+0.000}	259.01
HDLV-1742-900-100FB	8-1/2	9	1-3/4	1.750 ±.005	8.500 ^{+0.000} _{-.005}	8.125 ^{+0.000} _{-.003}	9.000 ^{+0.010} _{+0.000}	.377 ^{+0.005} _{+0.000}	277.05

GUIDELOCK PISTON BEARINGS

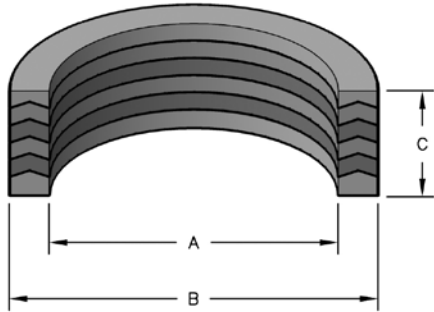


Molded from glass filled nylon, these step-cut bearings also act as retainers for Hydrolock vee sets. The following bore sizes are available.

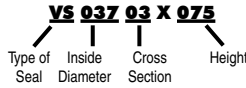
Part Number	A Nom. ID	B Nom. OD	C Nom. Ht	List Price
HDLG-200	1-3/8	2	5/16	\$24.82
HDLG-250	1-3/4	2-1/2	3/8	30.40
HDLG-300	2-1/4	3	3/8	27.85
HDLG-350	2-3/4	3-1/2	3/8	30.23
HDLG-400	3-1/4	4	1/2	38.41
HDLG-450	3-3/4	4-1/2	1/2	40.69
HDLG-500	4-1/8	5	1/2	43.30
HDLG-550	4-5/8	5-1/2	1/2	46.84
HDLG-600	5-1/8	6	1/2	51.61
HDLG-627	5-3/8	6.27	1/2	60.84
HDLG-650	5-5/8	6-1/2	1/2	64.28
HDLG-700	6-1/8	7	1/2	66.41
HDLG-750	6-5/8	7-1/2	1/2	72.37
HDLG-800	7-1/8	8	1/2	76.26
HDLG-900	8-1/8	9	1/2	110.39

VEE PACKING SETS

Our vee sets are the finest quality available in the industry. While all sets incorporate fabric reinforced rubber pressure rings, one or two urethane rings are included to improve low pressure sealing, when it is feasible. Most sets use nylon adaptors. Properly installed the pressure limits are as follows:



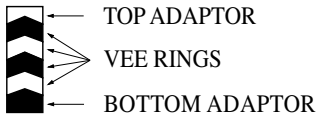
PART NUMBERS



3,000 PSI = 4 VEEES
 5,000 PSI = 5 VEEES
 10,000 PSI = 6 VEEES

CONSTRUCTION CODE
Example: FA-2U-3F-MA

FA - 1 TOP ADAPTOR
 2U - 2 URETHANE VEE RINGS
 2F - 2 FABRIC VEE RINGS
 MA - 1 BOTTOM ADAPTOR



SEAL INFORMATION

MATERIAL	FABRIC REINFORCED RUBBER URETHANE RING/NYLON ADAP-TORS
TEMPERATURE RANGE	-35° TO +220° F
PRESSURE RANGE	0 TO 10,000 PSI
SPEED	1.5 FT/SEC

U= SPECIAL URETHANE VEE
 H= HYTREL
 W= WIPER INCLUDED

Part Number	A Nom. ID	B Nom. OD	C Nom. Ht	CONSTRUCTION T-V-B	List Price
VS03704X050	3/8	7/8	1/2	FA-1F-MA	\$18.20
VS03703X075	3/8	3/4	3/4	FA-4F-MA	16.73
VS05003X062	1/2	7/8	5/8	FA-3F-MA	8.91
VS05004X075	1/2	1	3/4	FA-3F-MA	6.14
VS05004X087	1/2	1	7/8	FA-4F-MA	10.85
VS06203X082	5/8	1	13/16	FA-4F-MA	11.71
VS06204X100	5/8	1-1/8	1	FA-5F-MA	12.40
VS06205X125	5/8	1-1/4	1-1/4	FA-5F-MA	39.74
VS07504X068	3/4	1-1/4	11/16	FA-2F-MA	12.54
VS07503X075	3/4	1-1/8	3/4	FA-3F-MA	14.94
VS07503X082	3/4	1-1/8	13/16	FA-6F-MA	19.57
VS07504X100	3/4	1-1/4	1	FA-5F-MA	12.40
VS07505X103	3/4	1-3/8	1-1/32	FA-4F-MA	11.10
VS07506X112	3/4	1-1/2	1-1/8	FA-3F-MA	14.01
VS08104X071	13/16	1-5/16	.71	4F-MA	6.81
VS08104X087	13/16	1-5/16	7/8	FA-4F-MA	10.40
VS08703X075	7/8	1-1/4	3/4	FA-3F-MA	9.93
VS08704X075	7/8	1-3/8	3/4	FA-3F-MA	6.63
VS08704X100	7/8	1-3/8	1	FA-4F-MA	12.26
VS08705X103	7/8	1-1/2	1-1/32	FA-4F-MA	14.58
VS10004X075	1	1-1/2	3/4	FA-3F-MA	8.83
VS10003X095	1	1-3/8	61/64	FA-2U-3F-MA	12.69
VS10003X100	1	1-3/8	1	FA-6F-MA	14.01
VS10004X100	1	1-1/2	1	FA-5F-MA	12.33
VS10006X100	1	1-3/4	1	FA-3F-MA	14.49
VS10005X103	1	1-5/8	1-1/32	FA-4F-MA	11.10
VS10004X112	1	1-1/2	1-1/8	FA-6F-MA	14.16
VS10604X100	1-1/16	1-9/16	1	FA-5F-MA	64.50
VS11204X087	1-1/8	1-5/8	7/8	FA-4F-MA	10.82
VS11205X103	1-1/8	1-3/4	1-1/32	FA-4F-MA	12.49
VS11804X087	1-3/16	1-11/16	7/8	FA-4F-MA	11.93
VS11803X125	1-3/16	1-9/16	1-1/4	FA-6F-MA	36.65
VS12504X075	1-1/4	1-3/4	3/4	FA-3F-MA	8.75
VS12504X082	1-1/4	1-3/4	.82	FA-2U-2F-MA	10.85
VS12504X078	1-1/4	1-3/4	7/8	FA-3R-2T-MA	22.36

VEE PACKING SETS



Part Number	A Nom. ID	B Nom. OD	C Nom. Ht	CONSTRUCTION T-V-B	List Price
VS12504X100	1-1/4	1-3/4	1	FA-5F-MA	12.58
VS12506X100	1-1/4	2	1	FA-1U-2F-MA	15.07
VS12508X100	1-1/4	2-1/4	1	FA-2F-MA	21.43
VS12505X103	1-1/4	1-7/8	1-1/32	FA-4F-MA	15.96
VS12504X112	1-1/4	1-3/4	1-1/8	FA-6F-MA	14.35
VS12508X150	1-1/4	2-1/4	1-1/2	FA-4F-MA	23.63
VS13704X075	1-3/8	1-7/8	3/4	FA-3F-MA	9.99
VS13704X100	1-3/8	1-7/8	1	FA-2U-3F-MA	12.40
VS13705X103	1-3/8	2	1-1/32	FA-4F-MA	16.29
VS13703X106	1-3/8	1-3/4	1-1/16	FA-6F-MA	15.42
VS13706X125	1-3/8	2-1/8	1-1/4	FA-4F-MA	34.71
VS15004X075	1-1/2	2	3/4	FA-1U-2F-MA	9.21
VS15003X082	1-1/2	1-7/8	.82	FA-2U-3F-MA	20.30
VS15004X082	1-1/2	2	.82	FA-4F-MA	9.17
VS15004X087	1-1/2	2	7/8	FA-1U-3F-MA	9.93
VS15004X100	1-1/2	2	1	FA-2U-3F-MA	12.49
VS15006X100	1-1/2	2-1/4	1	FA-3F-MA	12.06
VS15005X103	1-1/2	2-1/8	1.031	FA-2U-2F-MA	14.60
VS15005X106	1-1/2	2-1/8	1-1/16	FA-3R-2T-MA	26.14
VS15004X112	1-1/2	2	1-1/8	FA-2U-4F-MA	14.35
VS15005X118	1-1/2	2-1/8	1-3/16	FA-5F-MA	17.16
VS15004X125	1-1/2	2	1-1/4	FA-7F-MA	16.18
VS15008X125	1-1/2	2-1/2	1-1/4	FA-1U-2F-MA	23.63
VS15008X150	1-1/2	2-1/2	1-1/2	FA-2U-2F-MA	27.92
VS15007X175	1-1/2	2-3/8	1-3/4	FA-5F-MA	42.96
VS16204X075	1-5/8	2-1/8	3/4	FA-3U-MA	10.74
VS16205X087	1-5/8	2-1/4	7/8	FA-3F-MA	15.74
VS16204X100	1-5/8	2-1/8	1	FA-5F-MA	15.95
VS16205X103	1-5/8	2-1/4	1-1/32	FA-4F-MA	16.65
VS16204X112	1-5/8	2-1/8	1-1/8	FA-6F-MA	17.16
VS17504X068	1-3/4	2-1/4	11/16	FA-2R-2T	49.78
VS17504X082	1-3/4	2-1/4	.82	FA-1U-3F-MA	10.40
VS17503X087	1-3/4	2-1/8	7/8	FA-2U-3F-MA	33.48
VS17504X087	1-3/4	2-1/4	7/8	FA-1U-3F-MA	10.75
VS17505X089	1-3/4	2-3/8	.894	FA-1U-2F-MA	16.29
VS17504X100	1-3/4	2-1/4	1	FA-5F-MA	15.24
VS17505X100S	1-3/4	2-3/8	1	FA-3R-2T	22.66
VS17506X100	1-3/4	2-1/2	1	FA-3F-MA	19.19
VS17505X103	1-3/4	2-3/8	1-1/32	FA-2U-2F-MA	16.88
VS17506X111H	1-3/4	2-1/2	1.11	FA-4R-MA	33.38
VS17504X112	1-3/4	2-1/4	1-1/8	FA-2U-4F-MA	15.77
VS17505X112	1-3/4	2-3/8	1-1/8	FA-5F-MA	19.75
VS17505X118	1-3/4	2-3/8	1-3/16	FA-5F-MA	20.57
VS17506X156	1-3/4	2-1/2	1-9/16	FA-6F-MA	22.47
VS17503X043	1-3/4	2-1/8	23	4F	11.05
VS18705X103	1-7/8	2-1/2	1-1/32	FA-4F-MA	18.35
VS18704X112	1-7/8	2-3/8	1-1/8	FA-6F-MA	16.29
VS18706X112	1-7/8	2-5/8	1-1/8	FA-4F-MA	21.91
VS19304X112	1-15/16	2-7/16	1-1/8	FA-6F-MA	106.62
VS20004X062	2	2-1/2	5/8	FA-1U-1F-MA	7.60
VS20003X075	2	2-3/8	3/4	FA-2U-2F-MA	22.89
VS20004X082	2	2-1/2	.82	FA-4F-MA	11.34
VS20004X087	2	2-1/2	7/8	FA-2U-2F-MA	12.80
VS20004X087W	2	2-1/2	7/8	2U-2F	13.61
VS20005X087	2	2-5/8	7/8	FA-3F-MA	14.53
VS20004X100	2	2-1/2	1	FA-2U-3F-MA	14.45
VS20006X100	2	2-3/4	1	FA-1U-2F-MA	18.72
VS20005X103	2	2-5/8	1-1/32	FA-4F-MA	17.41

VEE PACKING SETS

Part Number	A Nom. ID	B Nom. OD	C Nom. Ht	CONSTRUCTION T-V-B	List Price
VS20004X112	2	2-1/2	1-1/8	FA-2U-4F-MA	16.02
VS20006X118	2	2-3/4	1-3/16	FA-2U-2F-MA	22.47
VS20008X125	2	3	1-1/4	FA-3F-MA	29.02
VS20006X137	2	2-3/4	1-3/8	FA-2U-3F-MA	26.38
VS20008X150	2	3	1-1/2	FA-4F-MA	34.25
VS21204X087F	2-1/8	2-5/8	7/8	FA-4F-MA	15.06
VS21205X103	2-1/8	2-3/4	1-1/32	FA-4F-MA	19.41
VS21206X118	2-1/8	2-7/8	1-3/16	FA-4F-MA	60.68
VS21206X137	2-1/8	2-7/8	1-3/8	FA-5F-MA	107.24
VS21806X3V	2-3/16	2-15/16	.561	3F	9.80
VS21806X156	2-3/16	2-15/16	1-9/16	FA-6F-MA	33.62
VS22004X100	2.2	2.7	1	FA-2U-3F-MA	19.53
VS22504X082	2-1/4	2-3/4	.82	FA-1U-3F-MA	12.92
VS22504X100	2-1/4	2-3/4	1	FA-2U-3F-MA	17.31
VS22506X100	2-1/4	3	1	FA-3F-MA	20.47
VS22505X103	2-1/4	2-7/8	1-1/32	FA-4F-MA	19.92
VS22506X111H	2-1/4	3	1.13	FA-4R-MA	36.99
VS22505X118	2-1/4	2-7/8	1-3/16	FA-5F-MA	23.29
VS22508X150	2-1/4	3-1/4	1-1/2	FA-4F-MA	44.77
VS23704X100	2-3/8	2-7/8	1	FA-5F-MA	18.72
VS23705X103	2-3/8	3	1-1/32	FA-4F-MA	20.63
VS23705X118	2-3/8	3	1-3/16	FA-5F-MA	24.14
VS23706X125	2-3/8	3-1/8	1-1/4	FA-4F-MA	24.58
VS25003X043	2-1/2	2-7/8	7/16	4F	8.14
VS25004X075	2-1/2	3	3/4	FA-1U-2F-MA	14.08
VS25004X082	2-1/2	3	.82	FA-4F-MA	14.57
VS25004X087	2-1/2	3	7/8	FA-1U-3F-MA	16.94
VS25005X087	2-1/2	3-1/8	7/8	FA-3F-MA	14.62
VS25004X100	2-1/2	3	1	FA-2U-3F-MA	18.06
VS25006X100	2-1/2	3-1/4	1	FA-1U-2F-MA	23.17
VS25006X102	2-1/2	3-1/4	1.02	FA-1U-2F-MA	21.12
VS25004X112	2-1/2	3	1-1/8	FA-2U-4F-MA	20.57
VS25005X118	2-1/2	3-1/8	1-3/16	FA-2U-3F-MA	26.50
VS25005X118U	2-1/2	3-1/8	1-3/16	FA-1U-3F-MA	77.53
VS25008X125	2-1/2	3-1/2	1-1/4	FA-3F-MA	34.32
VS25006X137	2-1/2	3-1/4	1-3/8	FA-2U-3F-MA	30.96
VS26205X075	2-5/8	3-1/4	3/4	FA-2U-2T	21.97
VS26204X087	2-5/8	3-1/8	7/8	FA-2U-2F-MA	27.50
VS26205X100	2-5/8	3-1/4	1.11	FA-4F-MA	44.59
VS26206X118	2-5/8	3-3/8	1-3/16	FA-3F-MA	43.05
VS26204X137	2-5/8	3-1/8	1-3/8	FA-7F-MA	34.97
VS27006X106	2.7	3.45	1-1/16	FA-1U-2F-MA	25.44
VS27504X075	2-3/4	3-1/4	3/4	FA-2N-1R-MA	11.99
VS27504X087	2-3/4	3-1/4	7/8	FA-4F-MA	16.88
VS27504X100	2-3/4	3-1/4	1	FA-1U-4F-MA	17.54
VS27506X100	2-3/4	3-1/2	1	FA-3F-MA	25.94
VS27505X103	2-3/4	3-3/8	1-1/32	FA-2U-2F-MA	23.74
VS27506X112	2-3/4	3-1/2	1-1/8	FA-3R-2T	86.88
VS27506X111H	2-3/4	3-1/2	1.15	FA-4R-MA	40.28
VS27506X118	2-3/4	3-1/2	1-3/16	FA-2U-2F-MA	31.07
VS27506X150	2-3/4	3-1/2	1-1/2	FA-3U-3F-MA	48.53
VS27508X200	2-3/4	3-3/4	2	FA-6F-MA	66.71
VS27706X100	2.775	3.525	1	FA-3F-MA	30.14
VS27706X125	2.775	3.525	1-1/4	FA-1U-3F-MA	33.38
VS28704X100	2-7/8	3-3/8	1	FA-4F-MA	21.99
VS29504X100	2.95	3.45	1	FA-2U-3F-MA	22.26
VS29704.4X112W	2.97	3.52	1-1/8	2U-3F-MA	21.17
VS30004X062	3	3-1/2	5/8	FA-2F-MA	12.26

VEE PACKING SETS



Part Number	A Nom. ID	B Nom. OD	C Nom. Ht	CONSTRUCTION T-V-B	List Price
VS30004X087	3	3-1/2	7/8	FA-4F-MA	15.66
VS30004X087U	3	3-1/2	7/8	FA-1U-3F-MA	25.61
VS30004X087W	3	3-1/2	7/8	4F	14.91
VS30005X089	3	3-5/8	.894	FA-1U-2F-MA	23.59
VS30004X100	3	3-1/2	1	FA-2U-3F-MA	17.61
VS30006X100	3	3-3/4	1	FA-1U-2F-MA	30.58
VS30005X103	3	3-5/8	1-1/32	FA-4F-MA	24.86
VS30004X112	3	3-1/2	1-1/8	FA-2U-4F-MA	21.33
VS30006X118	3	3-3/4	1-3/16	FA-2U-2F-MA	36.68
VS30006X137	3	3-3/4	1-3/8	FA-2U-3F-MA	38.48
VS30006X137U	3	3-3/4	1-3/8	FA-1U-3F-MA	109.01
VS30008X150	3	4	1-1/2	FA-2U-2F-MA	46.21
VS31203X087W	3-1/8	3-1/2	7/8	2U-2F	25.11
VS31206X100	3-1/8	3-7/8	1	FA-2R-2T	35.89
VS32503X043	3-1/4	3-5/8	7/16	4F	9.68
VS32504X082	3-1/4	3-3/4	.82	FA-4F-MA	17.14
VS32504X100	3-1/4	3-3/4	1	FA-5F-MA	21.18
VS32505X100	3-1/4	3-7/8	1	FA-4F-MA	46.61
VS32506X118	3-1/4	4	1-3/16	FA-4F-MA	36.49
VS32504X125	3-1/4	3-3/4	1-1/4	FA-2U-3F-MA	21.18
VS32504X125W	3-1/4	3-3/4	1-1/4	FA-2U-3F-MA	19.15
VS32506X137	3-1/4	4	1-3/8	FA-5F-MA	42.59
VS32508X150	3-1/4	4-1/4	1-1/2	FA-2U-2F-MA	55.00
VS32506X156	3-1/4	4	1-9/16	FA-6F-MA	54.66
VS32706X118	3.275	4.025	1.187	FA-4F-MA	41.29
VS33705X087	3-3/8	4	7/8	FA-3F-MA	21.61
VS33704X100	3-3/8	3-7/8	1	FA-5F-MA	23.52
VS33706X100	3-3/8	4-1/8	1	FA-3F-MA	32.25
VS33705X103	3-3/8	4	1-1/32	FA-4F-MA	26.08
VS33704X112	3-3/8	3-7/8	1-1/8	FA-6F-MA	25.57
VS33706X118	3-3/8	4-1/8	1-3/16	FA-4F-MA	41.35
VS34506.4X150	3.45	4-1/4	1-1/2	FA-2U-3F-MA	46.00
VS35004X075	3-1/2	4	3/4	FA-1U-2F-MA	16.18
VS35004X082	3-1/2	4	.82	FA-4F-MA	19.61
VS35004X100	3-1/2	4	1	FA-2U-3F-MA	21.70
VS35006X100	3-1/2	4-1/4	1	FA-3F-MA	28.77
VS35006X118	3-1/2	4-1/4	1-3/16	FA-2U-2F-MA	38.51
VS35008X125	3-1/2	4-1/2	1-1/4	FA-3F-MA	42.92
VS35004X150	3-1/2	4	1-1/2	FA-3U-6F-MA	33.53
VS35006X150	3-1/2	4-1/4	1-1/2	FA-5F-MA	53.99
VS35012X150	3-1/2	5	1-1/2	FA-3F-MA	60.53
VS35012X225	3-1/2	5	2-1/4	FA-4F-MA	108.52
VS35804.2X100W	3.58	4.11	1	FA-2U-3F-MA	37.89
VS37504X082	3-3/4	4-1/4	.82	FA-4F-MA	21.56
VS37505X087	3-3/4	4-3/8	7/8	FA-3F-MA	29.15
VS37504X100	3-3/4	4-1/4	1	FA-2U-3F-MA	23.60
VS37505X106	3-3/4	4-3/8	1-1/16	FA-2U-2F-MA	34.97
VS37506X106	3-3/4	4-1/2	1-1/16	FA-2R-2T	41.37
VS37505X118W	3-3/4	4-3/8	1-3/16	FA-2U-2F-MA	26.80
VS37506X118	3-3/4	4-1/2	1-3/16	FA-2U-2F-MA	41.74
VS37506X137	3-3/4	4-1/2	1-3/8	FA-2U-3F-MA	48.32
VS38704X075	3-7/8	4-3/8	3/4	4F-MA	20.38
VS39704.4X100W	3.97	4.52	1	2U-3F-MA	26.90
VS40004X087W	4	4-1/2	7/8	2U-2R	27.29
VS40004X100	4	4-1/2	1	FA-2U-3F-MA	25.97
VS40004X112	4	4-1/2	1-1/8	FA-2U-4F-MA	29.30
VS40007X112	4	4-7/8	1-1/8	FA-3F-MA	51.99
VS40006X118	4	4-3/4	1-3/16	FA-2U-2F-MA	46.65

VEE PACKING SETS

Part Number	A Nom. ID	B Nom. OD	C Nom. Ht	CONSTRUCTION T-V-B	List Price
VS40007X131	4	4-7/8	1-5/16	FA-4F-MA	74.46
VS40008X131	4	5	1-5/16	FA-1U-2F-MA	48.29
VS40008X137	4	5	1-3/8	3U-2F	52.82
VS40008X156	4	5	1-9/16	FA-4F-MA	61.31
VS40007X175	4	4-7/8	1-3/4	FA-6F-MA	83.20
VS40606X100	4-1/16	4-13/16	1	FA-3F-MA	46.14
VS42504X100	4-1/4	4-3/4	1	FA-5F-MA	36.21
VS42506X100	4-1/4	5	1	FA-3F-MA	39.09
VS42504X125	4-1/4	4-3/4	1-1/4	FA-3U-4F-MA	36.21
VS42504X125W	4-1/4	4-3/4	1-1/4	FA-2U-3F-MA	26.34
VS42506X150	4-1/4	5	1-1/2	FA-5F-MA	67.93
VS42507X150	4-1/4	5-1/8	1-1/2	FA-5F-MA	69.59
VS42506X162	4-1/4	5	1-5/8	FA-6F-MA	71.43
VS42508X162	4-1/4	5-1/4	1-5/8	FA-4F-MA	140.45
VS43704X100	4-3/8	4-7/8	1	FA-5F-MA	187.43
VS44704.4X093	4.475	5.025	15/16	3U-2F	31.25
VS45004X087	4-1/2	5	7/8	FA-4F-MA	22.87
VS45004X087A	4-1/2	5	7/8	FA-2U-2F-MA	19.67
VS45004X100	4-1/2	5	1	FA-5F-MA	28.08
VS45006X100	4-1/2	5-1/4	1	FA-1U-2F-MA	39.33
VS45007X118	4-1/2	5-3/8	1-3/16	FA-2R-2T	157.07
VS45008X125	4-1/2	5-1/2	1-1/4	FA-3F-MA	52.37
VS45005X137	4-1/2	5-1/8	1-3/8	FA-6F-MA	126.08
VS45007X137	4-1/2	5-3/8	1-3/8	FA-4F-MA	198.18
VS45006X150	4-1/2	5-1/4	1-1/2	FA-6F-MA	64.87
VS46205X112	4-5/8	5-1/4	1	FA-4F-MA	68.86
VS47504X087	4-3/4	5-1/4	7/8	FA-4F-MA	25.44
VS47506X087	4-3/4	5-1/2	7/8	2N-1R-MA	25.82
VS47504X100	4-3/4	5-1/4	1	FA-5F-MA	29.47
VS47506X118	4-3/4	5-1/2	1-3/16	FA-2U-2F-MA	56.51
VS47505X125W	4-3/4	5-3/8	1-1/4	FA-2U-2F-MA	33.49
VS47506X137	4-3/4	5-1/2	1-3/8	FA-5F-MA	65.95
VS47507X150	4-3/4	5-5/8	1-1/2	FA-5F-MA	94.13
VS47506XXX	4-3/4	5-1/2	1-3/4	7F	43.25
VS49704.4X112W	4.97	5.52	1-1/8	2U-3F-MA	34.97
VS50004X087	5	5-1/2	7/8	FA-2U-2F-MA	29.39
VS50004X100	5	5-1/2	1	FA-2U-3F-MA	29.86
VS50004X112W	5	5-1/2	1	FA-2U-3F-MA	24.05
VS50005X103	5	5-5/8	1-1/32	FA-4F-MA	40.59
VS50004X112	5	5-1/2	1-1/8	FA-2U-4F-MA	35.52
VS50008X125	5	6	1-1/4	FA-1U-2F-MA	62.33
VS50007X131	5	5-7/8	1-5/16	FA-4F-MA	71.85
VS50006X150	5	5-3/4	1-1/2	FA-6F-MA	79.48
VS50008X175	5	6	1-3/4	FA-2U-3F-MA	99.39
VS51204X100	5-1/8	5-5/8	1	FA-5F-MA	34.56
VS51204X112	5-1/8	5-5/8	1-1/8	FA-6F-MA	37.44
VS52506X087	5-1/4	6	7/8	2N-1R-MA	31.05
VS52506X118	5-1/4	6	1-3/16	FA-4F-MA	59.78
VS52508X122	5-1/4	6-1/4	1.22	FA-3F-MA	61.97
VS52504X125	5-1/4	5-3/4	1-1/4	FA-2U-3F-MA	31.81
VS53707X150	5-3/8	6-1/4	1-1/2	FA-5F-MA	105.27
VS54404X112W	5.445	5.945	1-1/8	FA-2U-3F-MA	45.81
VS54704.4X093	5.475	6.025	15/16	3U-2F	34.55
VS55004X075	5-1/2	6	3/4	FA-3F-MA	19.38
VS55004X100	5-1/2	6	1	FA-5F-MA	33.45
VS55008X125	5-1/2	6-1/2	1-1/4	FA-3F-MA	81.13
VS55006X175	5-1/2	6-1/4	1-3/4	FA-7F-MA	97.78
VS55008X175	5-1/2	6-1/2	1-3/4	FA-5F-MA	94.49

VEE PACKING SETS



Part Number	A Nom. ID	B Nom. OD	C Nom. Ht	CONSTRUCTION T-V-B	List Price
VS57006X106	5.7	6.45	1-1/16	FA-1U-2F-MA	50.20
VS57505X087	5-3/4	6-3/8	7/8	FA-2R-2T	71.23
VS57504X100	5-3/4	6-1/4	1	FA-5F-MA	36.87
VS57506X100	5-3/4	6-1/2	1	FA-3F-MA	57.35
VS57504X112	5-3/4	6-1/4	1-1/8	FA-6F-MA	39.73
VS57505X125W	5-3/4	6-3/8	1-1/4	FA-2U-2F-MA	42.67
VS57506X137	5-3/4	6-1/2	1-3/8	FA-5F-MA	79.25
VS57508X175	5-3/4	6-3/4	1-3/4	FA-5F-MA	119.13
VS58704X100W	5-7/8	6-3/8	1	FA-4F-MA	30.32
VS59704.4X112W	5.97	6.52	1-1/8	2U-3F-MA	42.84
VS60004X087W	6	6-1/2	7/8	2U-2F	52.39
VS60004X100	6	6-1/2	1	FA-2U-3F-MA	35.65
VS60004X112W	6	6-1/2	1	FA-2U-3F-MA	29.31
VS60006X100	6	6-3/4	1	FA-1U-2F-MA	80.36
VS60004X112	6	6-1/2	1-1/8	FA-2U-4F-MA	41.87
VS60008X150	6	7	1-1/2	FA-4F-MA	94.65
VS60010X175	6	7-1/4	1-3/4	FA-4F-MA	134.64
VS62506X118	6-1/4	7	1-3/16	FA-4F-MA	84.54
VS62505X125	6-1/4	6-7/8	1-1/4	FA-2U-3F-MA	57.59
VS62505X125W	6-1/4	6-7/8	1-1/4	FA-2U-3F-MA	48.95
VS64404X112W	6.445	6.945	1-1/8	FA-2U-3F-MA	61.61
VS64704.4X093	6.475	7.025	15/16	3U-2F	42.79
VS65004X100	6-1/2	7	1	FA-1U-4F-MA	40.70
VS65006X137	6-1/2	7-1/4	1-3/8	FA-5F-MA	88.45
VS65008X150	6-1/2	7-1/2	1-1/2	FA-4F-MA	110.19
VS67504X100	6-3/4	7-1/4	1	FA-5F-MA	130.36
VS67506X118	6-3/4	7-1/2	1-3/16	FA-4F-MA	91.16
VS67505X125	6-3/4	7-3/8	1-1/4	FA-2U-3F-MA	76.64
VS67505X125W	6-3/4	7-3/8	1-1/4	FA-2U-2F-MA	61.98
VS69704.4X112W	6.97	7.52	1-1/8	2U-3F-MA	38.87
VS70004X100	7	7-1/2	1	FA-2U-3F-MA	44.31
VS70004X112W	7	7-1/2	1	FA-2U-3F-MA	34.23
VS70004X112	7	7-1/2	1-1/8	FA-2U-4F-MA	50.61
VS70008X125	7	8	1-1/4	FA-3F-MA	113.02
VS70008X200	7	8	2	FA-3U-3F-MA	165.20
VS72504X087	7-1/4	7-3/4	7/8	FA-4F-MA	138.03
VS74404X112W	7.445	7.945	1-1/8	FA-2U-3F-MA	69.35
VS75004X100	7-1/2	8	1	FA-2U-3F-MA	59.42
VS75006X109	7-1/2	8-1/4	1-3/32	3U-2F-MA	123.42
VS75005X125	7-1/2	8-1/8	1-1/4	FA-2U-3F-MA	83.56
VS75005X125W	7-1/2	8-1/8	1-1/4	FA-2U-3F-MA	70.97
VS79005.1X125W	7.905	8.543	1-1/4	FA-2U-2F-MA	65.92
VS79704.4X112W	7.97	8.52	1-1/8	2U-3F-MA	60.01
VS80004X075	8	8-1/2	3/4	FA-1U-2F-MA	60.11
VS80004X100	8	8-1/2	1	FA-2U-3F-MA	54.25
VS80004X112W	8	8-1/2	1	FA-2U-3F-MA	38.54
VS80006X118	8	8-3/4	1-3/16	FA-4F-MA	248.87
VS80008X200	8	9	2	FA-6F-MA	202.67
VS81204X112	8-1/8	8-5/8	1-1/8	FA-1U-5F-MA	65.94
VS82504X112	8-1/4	8-3/4	1-1/8	FA-6F-MA	100.07
VS82506X118W	8-1/4	9	1-3/16	FA-1U-3F-MA	88.14
VS85004X100	8-1/2	9	1	FA-2U-3F-MA	146.80
VS85008X187	8-1/2	9-1/2	1-7/8	FA-5F-MA	290.37
VS87505X125	8-3/4	9-3/8	1-1/4	FA-6F-MA	172.93
VS87505X125W	8-3/4	9-3/8	1-1/4	FA-2U-3F-MA	99.93
VS90006X118W	9	9-3/4	1-3/16	FA-4F-MA	100.15
VS90004X125	9	9-1/2	1-1/4	FA-7F-MA	179.66
VS90008X187	9	10	1-7/8	FA-5F-MA	299.45



VEE PACKING SETS

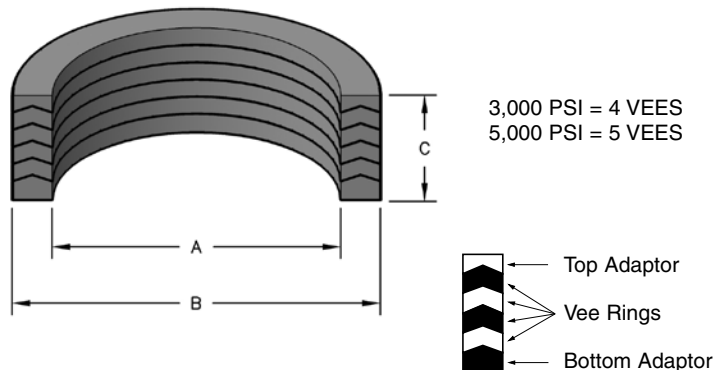
Part Number	A Nom. ID	B Nom. OD	C Nom. Ht	CONSTRUCTION T-V-B	List Price
VS91204.5X112W	9-1/8	9-11/16	1-1/8	2U-2F-MA	74.28
VS91205X125W	9-1/8	9-3/4	1-1/4	FA-2U-3F-MA	127.35
VS93705X121W	9-3/8	10	1-7/32	FA-4F-MA	136.10
VS95004X100	9-1/2	10	1	FA-5F-MA	210.31
VS95006X118	9-1/2	10-1/4	1-3/16	FA-4F-MA	404.58
VS97506X100W	9-3/4	10-1/2	1	1U-3F-MA	190.54
VS100008X187	10	11	1-7/8	FA-5F-MA	544.81
VS105004X100	10-1/2	11	1	FA-5F-MA	233.41
VS105008X187	10-1/2	11-1/2	1-7/8	FA-5F-MA	375.04
VS110008X187	11	12	1-7/8	FA-5F-MA	375.04
VS112506X125	11-1/4	12	1-1/4	FA-2N-2U-MA	196.73
VS120008X187	12	13	1-7/8	FA-5F-MA	475.65
VS140008X187	14	15	1-7/8	FA-5F-MA	682.61

Seal color may vary.

FLUOROCARBON VEE PACKING SETS



Not different in application from standard vee sets, these sets are made entirely of cotton duck and fluorocarbon. Excellent heat resistance.



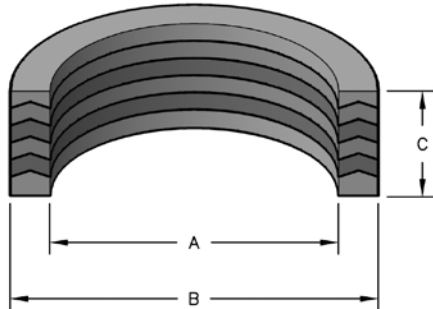
SEAL INFORMATION	
MATERIAL	FLUOROCARBON / DUCK
TEMPERATURE RANGE	-20° TO +350° F
PRESSURE RANGE	0 TO 5,000 PSI
SPEED	1.5 FT/SEC
PART NUMBER	(Prefix) (ID) (CS) X (Height)

Part Number	A Nom. ID	B Nom. OD	C Nom. Ht	List Price
VS10004X100V	1	1-1/2	1	\$97.68
VS15005X100V	1-1/2	2-1/8	1	128.11
VS17505X100V	1-3/4	2-3/8	1	105.57
VS17506X100V	1-3/4	2-1/2	1	129.95
VS18705X100V	1-7/8	2-1/2	1	106.96
VS20004X100V	2	2-1/2	1	118.17
VS20005X100V	2	2-5/8	1	109.12
VS20006X100V	2	2-3/4	1	107.84
VS21206X100V	2-1/8	2-7/8	1	144.22
VS22504X100V	2-1/4	2-3/4	1	121.51
VS22505X100V	2-1/4	2-7/8	1	120.95
VS25004X100V	2-1/2	3	1	125.38
VS25005X100V	2-1/2	3-1/8	1	128.94
VS25006X100V	2-1/2	3-1/4	1	157.03
VS27506X100V	2-3/4	3-1/2	1	160.64
VS30004X100V	3	3-1/2	1	183.92
VS30005X100V	3	3-5/8	1	153.26
VS30006X100V	3	3-3/4	1	170.68
VS32506X100V	3-1/4	4	1	193.68
VS35004X100V	3-1/2	4	1	162.43
VS35006X100V	3-1/2	4-1/4	1	202.90
VS35008X112V	3-1/2	4-1/2	1-1/8	212.97
VS37506X100V	3-3/4	4-1/2	1	215.33
VS40008X094V	4	5	.94	238.69
VS40004X100V	4	4-1/2	1	177.21
VS40006X100V	4	4-3/4	1	253.20
VS42507X106V	4-1/4	5-1/8	1-1/16	298.74
VS42508X112V	4-1/4	5-1/4	1-1/8	246.43
VS45008X112V	4-1/2	5-1/2	1-1/8	255.65
VS50004X100V	5	5-1/2	1	229.98
VS50006X100V	5	5-3/4	1	270.92
VS50007X109V	5	5-7/8	1.09	330.14
VS55004X100V	5-1/2	6	1	251.01
VS57506X100V	5-3/4	6-1/2	1	319.66
VS60004X100V	6	6-1/2	1	274.29
VS60008X101V	6	7	1-1/64	332.39

Seal color may vary.

CASCADE VEE SETS

Employed mainly in cylinders made by Cascade Corp., these vee sets are often over-sized or are different from standard vee sets. They are often used with Follower bearings



3,000 PSI = 4 VEES
5,000 PSI = 5 VEES
10,000 PSI = 6 VEES



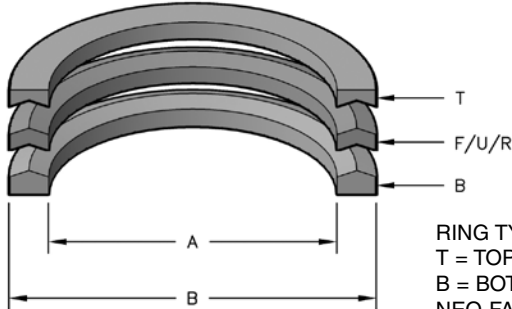
SEAL INFORMATION

MATERIAL	FABRIC REINFORCED RUBBER & URETHANE RINGS/NYLON ADAPTORS
TEMPERATURE RANGE	-35° TO +220° F
PRESSURE RANGE	0 TO 10,000
SPEED	1.5 FT/SEC
PART NUMBER	(Prefix) (ID) (CS) X (Height)

Part Number	A Nom. ID	B Nom. OD	C Nom. Ht	List Price
CAS-C7501	7/8	1-3/8	3/4	\$21.38
CAS-7500	1	1-1/2	.781	21.34
CAS-C1809	1-1/4	1-3/4	.671	18.57
CAS-C7502	1-1/2	2	.781	20.64
CAS-C7606	1-3/4	2.265	.635	16.79
CAS-7505	1-3/4	2.265	.781	24.90
CAS-C7609	2	2.515	5/8	19.95
CAS-C1861	2	2.76	1.218	39.36
CAS-1468	2-1/4	3.02	1.03	34.80
CAS-7542A	2.45	3.02	.671	22.23
CAS-7633	2-1/2	3	1.094	34.80
CAS-7547	2-3/4	3.27	.85	29.99
CAS-C1469	2-3/4	3.52	1.03	42.76
CAS-C7608	3	3.52	.671	22.11
CAS-7565	3	3.52	.89	31.25
CAS-7514A	3.2	3.77	.781	38.83
CAS-7576	3.2	3.77	.828	34.80
CAS-1470	3-1/4	4.02	1	42.76
CAS-C7538	3-1/2	4.02	5/8	26.21
CAS-C7636	3-1/2	4.27	1.03	41.32
CAS-C7561	3-1/2	4.27	1.4	72.84
CAS-1471A	3-3/4	4.52	1	46.31
CAS-C827	3-3/4	4.52	1.218	52.80
CAS-C7554	4	4.77	.813	66.95
CAS-7525	4-1/4	5.03	1.2	75.15
CAS-7562	4-1/4	5.03	1.344	78.96
CAS-7651	6	6.53	7/8	53.40

INDIVIDUAL VEE RINGS & ADAPTORS

The individual vee rings and adaptors listed here are the same high quality product found in our assembled vee packing sets. Stocking individual vee rings allows you to assemble sets to your specific requirements.



RING TYPES
 T = TOP ADAPTOR - NYLON
 B = BOTTOM ADAPTOR - NYLON/
 NEO-FAB
 F = NEO-FAB VEE RING
 U = URETHANE VEE RING
 R = RUBBER VEE RING.
 (FOR MORE RUBBER VEE RINGS
 SEE OUR STYLE 835 RINGS)

SEAL INFORMATION	
MATERIAL	NYLON, NEO-FAB, URETHANE
TEMPERATURE RANGE	-35° TO +220° F
PRESSURE RANGE	0 TO 5,000 PSI
SPEED	1.5 FT/SEC
PART NUMBER	(Prefix) (ID) (CS) (Type of Ring)

VEE RING STACK HEIGHTS WITH TOP & BOTTOM ADAPTORS									
# OF	VEE RING CROSS SECTIONS								
VEES	3/16	1/4	5/16	3/8	7/16	1/2	9/16	5/8	3/4
1	.410	.500	.562	.625	.645	.750	.812	.875	1.00
2	.520	.625	.719	.812	.863	1.000	1.093	1.187	1.375
3	.630	.750	.875	1.000	1.081	1.250	1.375	1.500	1.750
4	.740	.875	1.031	1.187	1.300	1.500	1.656	1.812	2.125
5	.850	1.000	1.187	1.375	1.517	1.750	1.937	2.125	2.500

Part Number	A Nom. ID	B Nom. OD	List Price
VR05003F	1/2	7/8	\$1.88
VR05003T	1/2	7/8	1.88
VR06204B	5/8	1-1/8	1.79
VR06204F	5/8	1-1/8	1.79
VR06204R	5/8	1-1/8	4.00
VR06204T	5/8	1-1/8	1.79
VR07504B	3/4	1-1/4	1.79
VR07504F	3/4	1-1/4	1.79
VR07504T	3/4	1-1/4	1.79
VR07505F	3/4	1-3/8	4.67
VR08703B	7/8	1-1/4	1.97
VR08703F	7/8	1-1/4	1.97
VR08703T	7/8	1-1/4	1.97
VR08704F	7/8	1-3/8	2.99
VR08705F	7/8	1-1/2	3.45
VR10004B	1	1-1/2	1.79
VR10004F	1	1-1/2	1.79
VR10004T	1	1-1/2	1.79
VR10005B	1	1-5/8	4.37
VR10005F	1	1-5/8	4.37
VR10005T	1	1-5/8	8.17
VR10006F	1	1-3/4	7.83
VR11204B	1-1/8	1-5/8	1.81
VR11204F	1-1/8	1-5/8	1.81

INDIVIDUAL VEE RINGS & ADAPTORS

Part Number	A Nom. ID	B Nom. OD	List Price
VR11204T	1-1/8	1-5/8	1.81
VR12504B	1-1/4	1-3/4	1.81
VR12504F	1-1/4	1-3/4	1.81
VR12504T	1-1/4	1-3/4	1.81
VR12504U	1-1/4	1-3/4	1.81
VR12505F	1-1/4	1-7/8	2.87
VR12505T	1-1/4	1-7/8	3.15
VR12506B	1-1/4	2	3.02
VR12506F	1-1/4	2	3.02
VR12506T	1-1/4	2	3.02
VR12506U	1-1/4	2	3.02
VR13704B	1-3/8	1-7/8	2.56
VR13704F	1-3/8	1-7/8	2.56
VR13704R	1-3/8	1-7/8	5.57
VR13704T	1-3/8	1-7/8	2.56
VR13704U	1-3/8	1-7/8	2.56
VR13705B	1-3/8	2	2.73
VR13705F	1-3/8	2	2.73
VR13705T	1-3/8	2	2.73
VR13706B	1-3/8	2-1/8	6.09
VR13706F	1-3/8	2-1/8	6.09
VR13706T	1-3/8	2-1/8	5.90
VR15004B	1-1/2	2	1.93
VR15004F	1-1/2	2	1.93
VR15004R	1-1/2	2	3.79
VR15004T	1-1/2	2	1.93
VR15004U	1-1/2	2	1.93
VR15005B	1-1/2	2-1/8	2.46
VR15005F	1-1/2	2-1/8	2.46
VR15005T	1-1/2	2-1/8	2.46
VR15006B	1-1/2	2-1/4	3.27
VR15006F	1-1/2	2-1/4	3.27
VR15006R	1-1/2	2-1/4	15.15
VR15006T	1-1/2	2-1/4	3.27
VR15008B	1-1/2	2-1/2	4.73
VR15008F	1-1/2	2-1/2	4.73
VR15008T	1-1/2	2-1/2	4.73
VR15008U	1-1/2	2-1/2	4.73
VR16204B	1-5/8	2-1/8	2.15
VR16204F	1-5/8	2-1/8	2.15
VR16204T	1-5/8	2-1/8	2.15
VR16204U	1-5/8	2-1/8	2.15
VR16205B	1-5/8	2-1/4	2.77
VR16205F	1-5/8	2-1/4	2.77
VR16205T	1-5/8	2-1/4	2.77
VR17504B	1-3/4	2-1/4	2.18
VR17504F	1-3/4	2-1/4	2.18
VR17504T	1-3/4	2-1/4	2.18
VR17504U	1-3/4	2-1/4	2.18
VR17505B	1-3/4	2-3/8	2.80
VR17505F	1-3/4	2-3/8	2.80
VR17505T	1-3/4	2-3/8	2.80
VR17505U	1-3/4	2-3/8	2.80
VR17506B	1-3/4	2-1/2	2.80
VR17506F	1-3/4	2-1/2	2.80
VR17506T	1-3/4	2-1/2	2.80
VR17508B	1-3/4	2-3/4	6.32
VR17508F	1-3/4	2-3/4	6.32

INDIVIDUAL VEE RINGS & ADAPTORS



Part Number	A Nom. ID	B Nom. OD	List Price
VR17508T	1-3/4	2-3/4	6.32
VR18704B	1-7/8	2-3/8	2.17
VR18704F	1-7/8	2-3/8	2.17
VR18704R	1-7/8	2-3/8	9.55
VR18704T	1-7/8	2-3/8	2.17
VR18705B	1-7/8	2-1/2	3.09
VR18705F	1-7/8	2-1/2	3.09
VR18705T	1-7/8	2-1/2	3.09
VR20004B	2	2-1/2	2.10
VR20004F	2	2-1/2	2.10
VR20004R	2	2-1/2	4.96
VR20004T	2	2-1/2	2.10
VR20004U	2	2-1/2	2.10
VR20005B	2	2-5/8	2.88
VR20005F	2	2-5/8	2.88
VR20005T	2	2-5/8	2.88
VR20006B	2	2-3/4	3.73
VR20006F	2	2-3/4	3.73
VR20006T	2	2-3/4	3.73
VR20006U	2	2-3/4	3.73
VR22504B	2-1/4	2-3/4	2.48
VR22504F	2-1/4	2-3/4	2.48
VR22504T	2-1/4	2-3/4	2.48
VR22504U	2-1/4	2-3/4	2.48
VR22505B	2-1/4	2-7/8	5.64
VR22506B	2-1/4	3	4.10
VR22506F	2-1/4	3	4.10
VR22506R	2-1/4	3	20.47
VR22506T	2-1/4	3	4.10
VR25003B	2-1/2	2-7/8	5.79
VR25003F	2-1/2	2-7/8	5.79
VR25003T	2-1/2	2-7/8	5.79
VR25004B	2-1/2	3	2.61
VR25004F	2-1/2	3	2.61
VR25004R	2-1/2	3	14.72
VR25004T	2-1/2	3	2.61
VR25004U	2-1/2	3	2.61
VR25005B	2-1/2	3-1/8	3.77
VR25005F	2-1/2	3-1/8	3.77
VR25005T	2-1/2	3-1/8	3.77
VR25005U	2-1/2	3-1/8	3.77
VR25006B	2-1/2	3-1/4	4.67
VR25006F	2-1/2	3-1/4	4.67
VR25006T	2-1/2	3-1/4	4.67
VR25006U	2-1/2	3-1/4	4.67
VR25008B	2-1/2	3-1/2	6.98
VR25008F	2-1/2	3-1/2	6.98
VR25008T	2-1/2	3-1/2	6.98
VR26204F	2-5/8	3-1/8	8.97
VR26205U	2-5/8	3-1/4	3.57
VR27504B	2-3/4	3-1/4	2.56
VR27504F	2-3/4	3-1/4	2.56
VR27504T	2-3/4	3-1/4	2.56
VR27504U	2-3/4	3-1/4	2.56
VR27505B	2-3/4	3-3/8	3.91
VR27505F	2-3/4	3-3/8	3.91
VR27505T	2-3/4	3-3/8	3.91
VR27506B	2-3/4	3-1/2	5.18

INDIVIDUAL VEE RINGS & ADAPTORS

Part Number	A Nom. ID	B Nom. OD	List Price
VR27506F	2-3/4	3-1/2	5.18
VR27506T	2-3/4	3-1/2	5.18
VR27506U	2-3/4	3-1/2	5.18
VR27508F	2-3/4	3-3/4	11.36
VR30004B	3	3-1/2	2.66
VR30004F	3	3-1/2	2.66
VR30004R	3	3-1/2	6.13
VR30004T	3	3-1/2	2.66
VR30004U	3	3-1/2	2.66
VR30006B	3	3-3/4	6.11
VR30006F	3	3-3/4	6.11
VR30006T	3	3-3/4	6.11
VR30006U	3	3-3/4	6.11
VR32503B	3-1/4	3-5/8	2.92
VR32503F	3-1/4	3-5/8	2.92
VR32503T	3-1/4	3-5/8	2.92
VR32504B	3-1/4	3-3/4	3.04
VR32504F	3-1/4	3-3/4	3.04
VR32504T	3-1/4	3-3/4	3.04
VR32506B	3-1/4	4	6.09
VR32506F	3-1/4	4	6.09
VR32506T	3-1/4	4	6.09
VR34504F	3.45	4	27.37
VR35004B	3-1/2	4	3.16
VR35004F	3-1/2	4	3.16
VR35004T	3-1/2	4	3.16
VR35004U	3-1/2	4	3.16
VR35005B	3-1/2	4-1/8	13.62
VR35005F	3-1/2	4-1/8	6.33
VR35005T	3-1/2	4-1/8	18.22
VR35006B	3-1/2	4-1/4	5.76
VR35006F	3-1/2	4-1/4	5.76
VR35006T	3-1/2	4-1/4	5.76
VR35006U	3-1/2	4-1/4	7.51
VR35008B	3-1/2	4-1/2	10.10
VR35008F	3-1/2	4-1/2	9.79
VR35008T	3-1/2	4-1/2	9.79
VR37504B	3-3/4	4-1/4	3.46
VR37504F	3-3/4	4-1/4	3.46
VR37504T	3-3/4	4-1/4	3.46
VR37505B	3-3/4	4-3/8	8.68
VR37505F	3-3/4	4-3/8	8.68
VR37505T	3-3/4	4-3/8	8.68
VR37506B	3-3/4	4-1/2	6.96
VR37506F	3-3/4	4-1/2	6.96
VR37506T	3-3/4	4-1/2	6.96
VR37506U	3-3/4	4-1/2	6.96
VR38707T	3-7/8	4-3/4	12.02
VR40004B	4	4-1/2	4.35
VR40004B-25	4	4-1/2	3.60
VR40004F	4	4-1/2	4.35
VR40004T	4	4-1/2	4.35
VR40004U	4	4-1/2	4.35
VR40006B	4	4-3/4	7.75
VR40006F	4	4-3/4	7.75
VR40006T	4	4-3/4	7.75
VR40006U	4	4-3/4	7.75
VR40007F	4	4-7/8	31.48

INDIVIDUAL VEE RINGS & ADAPTORS



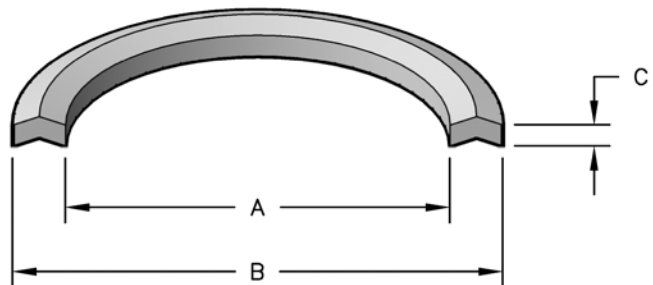
Part Number	A Nom. ID	B Nom. OD	List Price
VR40007T	4	4-7/8	10.89
VR40008B	4	5	10.73
VR40008F	4	5	10.73
VR40008T	4	5	10.73
VR40008U	4	5	10.73
VR40004R	4	4-1/2	24.85
VR42504B	4-1/4	4-3/4	5.14
VR42504F	4-1/4	4-3/4	5.14
VR42506B	4-1/4	5	7.82
VR42506F	4-1/4	5	7.82
VR42506T	4-1/4	5	7.82
VR42506U	4-1/4	5	7.82
VR42508B	4-1/4	5-1/4	51.67
VR42508F	4-1/4	5-1/4	20.45
VR42508T	4-1/4	5-1/4	60.86
VR45004B	4-1/2	5	4.00
VR45004F	4-1/2	5	4.00
VR45004T	4-1/2	5	4.00
VR45006F	4-1/2	5-1/4	10.71
VR47506B	4-3/4	5-1/2	34.87
VR47506F	4-3/4	5-1/2	14.07
VR47506T	4-3/4	5-1/2	82.39
VR50004B	5	5-1/2	4.14
VR50004F	5	5-1/2	4.23
VR50004R	5	5-1/2	10.31
VR50004T	5	5-1/2	4.14
VR50004U	5	5-1/2	4.23
VR50008B	5	6	14.08
VR50008F	5	6	13.82
VR50008T	5	6	13.82
VR52504B	5-1/4	5-3/4	4.56
VR52504F	5-1/4	5-3/4	4.56
VR52506B	5-1/4	6	10.31
VR52506F	5-1/4	6	10.31
VR52506T	5-1/4	6	10.31
VR52508F	5-1/4	6-1/4	14.08
VR55004B	5-1/2	6	4.78
VR55004F	5-1/2	6	4.78
VR55004T	5-1/2	6	4.78
VR55004U	5-1/2	6	4.98
VR55006F	5-1/2	6-1/4	13.65
VR55008B	5-1/2	6-1/2	17.34
VR55008F	5-1/2	6-1/2	17.34
VR55008R	5-1/2	6-1/2	20.29
VR55008T	5-1/2	6-1/2	17.34
VR57505T	5-3/4	6-3/8	8.48
VR57506F	5-3/4	6-1/2	12.00
VR57508F	5-3/4	6-3/4	24.43
VR60004B	6	6-1/2	5.06
VR60004F	6	6-1/2	5.07
VR60004T	6	6-1/2	4.95
VR60004U	6	6-1/2	5.07
VR60008B	6	7	15.95
VR60008F	6	7	15.95
VR60008T	6	7	15.95
VR62506B	6-1/4	7	14.24
VR62506F	6-1/4	7	14.24
VR62506T	6-1/4	7	14.24


INDIVIDUAL VEE RINGS & ADAPTORS

Part Number	A Nom. ID	B Nom. OD	List Price
VR65008B	6-1/2	7-1/2	18.10
VR65008F	6-1/2	7-1/2	18.10
VR67506F	6-3/4	7-1/2	17.37
VR70004B	7	7-1/2	8.44
VR70004F	7	7-1/2	8.44
VR70004T	7	7-1/2	8.44
VR70004U	7	7-1/2	8.44
VR70008B	7	8	32.95
VR70008F	7	8	32.95
VR70008T	7	8	32.95
VR75006F	7-1/2	8-1/4	22.01
VR75006U	7-1/2	8-1/4	22.01
VR75008F	7-1/2	8-1/2	33.53
VR75006T	7-1/2	8-1/4	22.01
VR79209.9F	7.925	9.17	48.90
VR79209.9R	7.925	9.17	41.47
VR80004B	8	8-1/2	10.24
VR80004F	8	8-1/2	10.24
VR80004T	8	8-1/2	10.24
VR80008F	8	9	28.42

Seal color may vary.

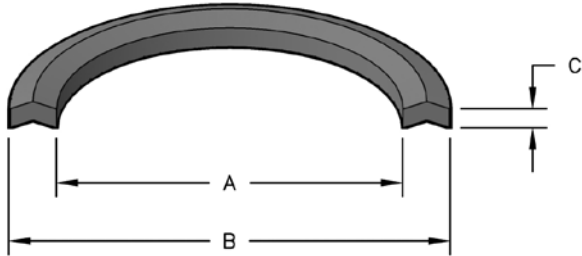
STYLE 935 PTFE VEE RINGS



SEAL INFORMATION	
MATERIAL	PTFE
TEMPERATURE RANGE	-100° TO +400° F
PRESSURE RANGE	0 TO 5,000 PSI
SPEED	12 FT/SEC
PART NUMBER	(Prefix) - (Size)

Part Number	A Nom. ID	B Nom. OD	C Nom. Ht	List Price
935-05	3/8	3/4	.083	\$7.59
935-16	3/4	1-1/4	.083	7.10
935-20	1	1-1/2	.083	7.28
935-24	1-1/4	1-3/4	.083	7.66
935-26	1-3/8	2	.14	8.04
935-27	1-1/2	2-1/8	.14	8.35
935-128	1-3/4	2-1/4	.083	8.95
935-29	1-3/4	2-3/8	.14	9.17
935-2X2-3/4	2	2-3/4	.14	10.84
935-31	2	2-5/8	.14	10.59
935-32	2-1/8	2-3/4	.14	10.98
935-33	2-1/4	2-7/8	.14	11.25
935-35	2-1/2	3-1/8	.14	13.31
935-135	2-5/8	3-1/4	.14	13.57
935-38	2-3/4	3-1/2	.156	15.28
935-41	3-1/8	3-7/8	.156	16.01
935-42	3-1/4	4	.156	16.56
935-44	3-1/2	4-1/4	.156	19.27
935-46	3-3/4	4-1/2	.156	21.68
935-48	3-7/8	4-3/4	5/32	27.62
935-50	4-1/4	5-1/8	.197	54.86
935-51	4-1/2	5-3/8	.197	55.65
935-156	5-3/4	6-3/8	.14	31.42

STYLE 835 HOMOGENEOUS RUBBER VEE RINGS



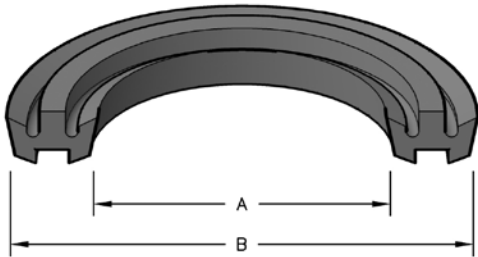
SEAL INFORMATION	
MATERIAL	70A DURO BUNA-N
TEMPERATURE RANGE	-40° TO +220° F
PRESSURE RANGE	0 TO 1,250 PSI
SPEED	3 FT/SEC
PART NUMBER	(Prefix) - (Size)

Part Number	A Nom. ID	B Nom. OD	C Nom. Ht	List Price
835-05	3/8	3/4	.083	\$2.02
835-07	1/2	7/8	.083	2.15
835-12	1/2	1	.083	2.65
835-14	5/8	1-1/8	.083	4.00
835-14-90D	5/8	1-1/8	.083	4.00
835-16	3/4	1-1/4	.083	2.70
835-20	1	1-1/2	.083	2.94
835-20-90D	1	1-1/2	.083	2.94
835-22	1-1/8	1-5/8	.083	3.03
835-24	1-1/4	1-3/4	.083	3.11
835-25	1-1/4	1-7/8	.14	3.17
835-400-90D	1-3/8	1-7/8	.083	5.18
835-26	1-3/8	2	.14	3.23
835-26-90D	1-3/8	2	.14	3.23
835-27	1-1/2	2-1/8	.14	3.34
835-28	1-5/8	2-1/4	.14	3.54
835-128	1-3/4	2-1/4	.14	10.58
835-29	1-3/4	2-3/8	.14	4.22
835-29-90D	1-3/4	2-3/8	.14	4.22
835-2X2-3/4	2	2-3/4	.14	6.38
835-31	2	2-5/8	.14	5.08
835-31-90D	2	2-5/8	.14	5.08
835-32	2-1/8	2-3/4	.14	6.38
835-33	2-1/4	2-7/8	.14	6.46
835-133	2-7/16	3-3/16	.14	20.07
835-35	2-1/2	3-1/8	.14	7.25
835-35-90D	2-1/2	3-1/8	.14	7.25
835-38	2-3/4	3-1/2	.156	8.07
835-40	3	3-3/4	.156	7.20
835-40-90D	3	3-3/4	.158	7.20
835-41	3-1/8	3-7/8	.156	8.27
835-42	3-1/4	4	.156	8.58
835-44	3-1/2	4-1/4	.156	9.53
835-46	3-3/4	4-1/2	.156	10.37
835-48	3-7/8	4-3/4	.156	16.88
835-49	4	4-7/8	.197	32.96
835-50	4-1/4	5-1/8	.197	15.53
835-51	4-1/2	5-3/8	.197	13.26
835-55	5-1/2	6-3/8	.197	17.80
835-156	5-3/4	6-3/8	.14	14.33
835-57	5-3/4	6-3/4	.197	17.10

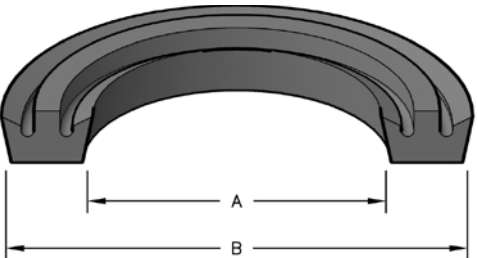
WV PACKING



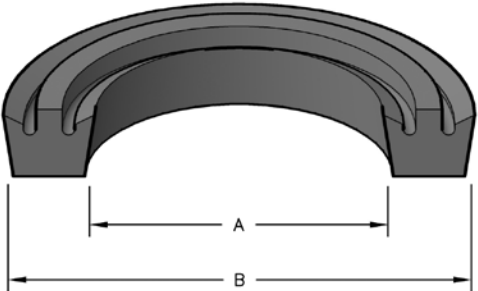
Similar to Vee Packing, WV Packing is stacked in a pedestal fashion. Stacked rings do not require axial force to obtain proper lip interference. Also, stacked WV's have the advantage of redundancy - if one ring fails, the next ring will back it up. WV Packing is available as a Center Ring, Style 850 (Neo-Fab) and Style 851 (Buna-N); Flat Back, Style 852 (Neo Fab) and Style 853 (Buna-N); and Deep Base, Style 855 (Buna-N). Flat backs and center rings are usually used in sets, whereas deep base rings are used as single elements.



CENTER RING
STYLE 850 & 851



FLAT BACK
STYLE 852 & 853



DEEP BASE
STYLE 855

A: NOMINAL RING STACK HEIGHT
B: GLAND DEPTH ± 0.002 "

SEAL INFORMATION

MATERIAL	FABRIC REINFORCED RUBBER AND BUNA-N
TEMPERATURE RANGE	-40° TO +250° F
PRESSURE RANGE	SEE CHART BELOW
SPEED	1.5 FT/SEC
PART NUMBER	(Prefix) - (ID) - (OD)

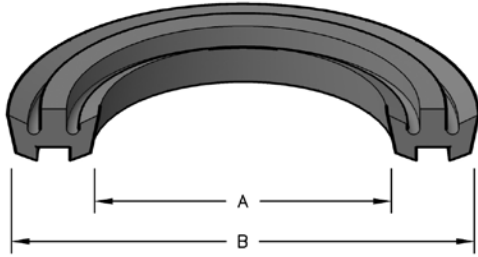
If your design is of medium to high pressure it is recommended that you utilize fabric reinforced rings. The following is a guide to pressure rating of multiple rings, including flat bottom rings.

PRESSURE RATING OF MULTIPLE RINGS	
PRESSURE P.S.I.	NUMBER OF RINGS
250 - 500	3
500 - 2,000	4
2,000 - 5,000	5
5,000 - 8,000	6

A homogeneous ring may be also used for sealing at low pressure. Do not include the homogeneous ring in calculating pressure rating. Due to the different material, it is difficult to rate this type of ring. If you wish to use all homogeneous rings, tests should be conducted to verify design stability.

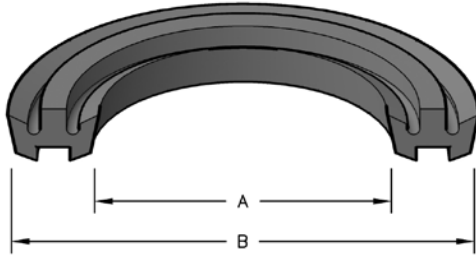
A = Stack Height; B = Groove Depth $\pm .002$

Cross Section	2 Rings		3 Rings		4 Rings		5 Rings		6 Rings		7 Rings	
	A	B	A	B	A	B	A	B	A	B	A	B
1/4"	.266	.280	.375	.392	.484	.504	.594	.616	.704	.728	.814	.840
5/16"	.332	.346	.469	.486	.605	.625	.742	.764	.879	.903	1.020	1.042
3/8"	.398	.412	.562	.579	.726	.746	.890	.912	1.054	1.078	1.218	1.244
7/16"	.468	.482	.656	.673	.848	.868	1.039	1.061	1.230	1.254	1.421	1.447
1/2"	.531	.545	.750	.767	.969	.989	1.187	1.209	1.405	1.429	1.623	1.649
5/8"	.667	.695	.943	.978	1.220	1.260	1.496	1.541	1.772	1.821	2.048	2.101
3/4"	.800	.828	1.132	1.167	1.464	1.504	1.795	1.840	2.126	2.175	2.475	2.528


STYLE 850 WV PACKING

STYLE 850 - NEO FAB

Part Number	A Nom. ID	B Nom. OD	List Price
850-0.62X1.12	5/8	1-1/8	\$6.80
850-0.75X1.25	3/4	1-1/4	6.93
850-1.00X1.50	1	1-1/2	8.74
850-1.12X1.75	1-1/8	1-3/4	8.68
850-1.25X1.75	1-1/4	1-3/4	21.75
850-1.25X2.00	1-1/4	2	11.20
850-1.50X2.00	1-1/2	2	8.92
850-1.75X2.25	1-3/4	2-1/4	20.82
850-1.87X2.37	1-7/8	2-3/8	23.71
850-2.00X2.50	2	2-1/2	9.16
850-2.00X3.00	2	3	16.62
850-2.25X2.75	2-1/4	2-3/4	10.12
850-2.45X3.002	2.45	3.002	29.41
850-2.50X3.00	2-1/2	3	19.53
850-2.75X3.50	2-3/4	3-1/2	20.56
850-3.43X4.00	3-7/16	4	12.85
850-3.50X4.50	3-1/2	4-1/2	26.67
850-3.68X4.25	3-11/16	4-1/4	23.48
850-3.95X4.50	3.95	4-1/2	41.50
850-4.25X5.00	4-1/4	5	28.65

STYLE 851 WV PACKING

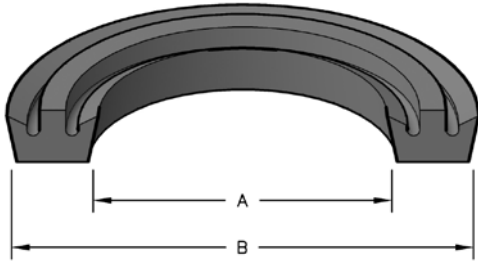


STYLE 851 - BUNA-N

Part Number	A Nom. ID	B Nom. OD	List Price
851-0.62X1.12	5/8	1-1/8	\$6.80
851-0.75X1.25	3/4	1-1/4	6.93
851-0.87X1.37	7/8	1-3/8	8.56
851-1.00X1.50	1	1-1/2	7.37
851-1.05X1.63	1-1/16	1-5/8	33.82
851-1.12X1.75	1-1/8	1-3/4	8.68
851-1.12X1.87	1-1/8	1-7/8	37.51
851-1.25X1.75	1-1/4	1-3/4	8.40
851-1.25X1.87	1-1/4	1-7/8	15.53
851-1.37X1.87	1-3/8	1-7/8	7.67
851-1.37X2.12	1-3/8	2-1/8	14.45
851-1.50X2.00	1-1/2	2	13.79
851-1.50X2.12	1-1/2	2-1/8	8.94
851-1.75X2.25	1-3/4	2-1/4	9.07
851-1.87X2.37	1-7/8	2-3/8	20.89
851-2.00X2.50	2	2-1/2	9.16
851-2.12X2.75	2-1/8	2-3/4	9.32
851-2.25X2.75	2-1/4	2-3/4	10.12
851-2.37X3.00	2-3/8	3	19.56
851-2.50X3.00	2-1/2	3	10.52
851-2.75X3.50	2-3/4	3-1/2	16.62
851-2.95X3.45	2.95	3.45	10.52
851-3.00X3.62	3	3-5/8	12.00
851-3.00X4.00	3	4	22.24
851-3.18X3.81	3-3/16	3-13/16	20.74
851-3.43X4.00	3-7/16	4	14.26
851-3.45X4.00	3.45	4	12.85
851-3.68X4.25	3-11/16	4-1/4	29.53
851-3.95X4.50	3.95	4-1/2	24.76
851-4.43X5.00	4-7/16	5	28.84
851-4.50X5.00	4-1/2	5	28.84
851-4.93X5.68	4-15/16	5-11/16	30.34



STYLE 852 & 853 WV PACKING



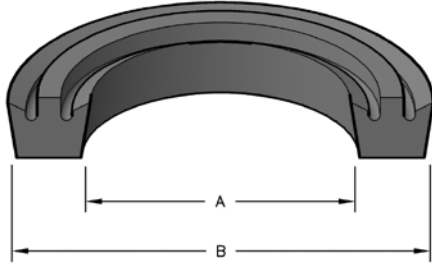
STYLE 852 - NEO FAB

Part Number	A Nom. ID	B Nom. OD	List Price
852-0.62X1.12	5/8	1-1/8	\$19.79
852-0.75X1.25	3/4	1-1/4	13.82
852-1.00X1.50	1	1-1/2	7.10
852-1.25X1.75	1-1/4	1-3/4	20.80
852-1.25X2.00	1-1/4	2	10.78
852-1.37X2.12	1-3/8	2-1/8	11.17
852-1.50X2.00	1-1/2	2	23.77
852-1.50X2.12	1-1/2	2-1/8	8.64
852-1.75X2.25	1-3/4	2-1/4	8.75
852-1.87X2.37	1-7/8	2-3/8	17.27
852-2.00X2.50	2	2-1/2	8.82
852-2.50X3.00	2-1/2	3	20.57
852-2.75X3.50	2-3/4	3-1/2	16.02
852-2.95X3.45	2.95	3.45	21.33
852-3.00X4.00	3	4	21.43
852-3.45X4.00	3.45	4	31.05
852-3.50X4.50	3-1/2	4-1/2	28.78
852-3.68X4.25	3-11/16	4-1/4	27.53
852-3.95X4.50	3.95	4-1/2	23.86
852-4.25X5.00	4-1/4	5	27.59
852-4.43X5.00	4-7/16	5	27.78
852-4.50X5.00	4-1/2	5	27.78

STYLE 853 - BUNA-N

Part Number	A Nom. ID	B Nom. OD	List Price
853-0.62X1.12	5/8	1-1/8	\$6.55
853-0.87X1.37	7/8	1-3/8	6.94
853-1.00X1.50	1	1-1/2	7.10
853-1.25X1.87	1-1/4	1-7/8	8.12
853-1.50X2.12	1-1/2	2-1/8	19.11
853-2.00X2.50	2	2-1/2	21.45
853-2.12X2.75	2-1/8	2-3/4	15.93
853-3.00X3.62	3	3-5/8	10.75

STYLE 855 WV PACKING



STYLE 855 - BUNA-N

C = Carboxilated Nitrile

Part Number	A Nom. ID	B Nom. OD	List Price
855-0.75X1.25	3/4	1-1/4	\$13.00
855-1.00X1.50	1	1-1/2	11.32
855-1.25X1.87	1-1/4	1-7/8	19.34
855-1.37X2.00	1-3/8	2	9.51
855-1.50X2.12	1-1/2	2-1/8	8.89
855-2.00X3.00	2	3	18.87
855-2.37X3.00	2-3/8	3	11.43
855-2.37X3.00-C	2-3/8	3	7.70
855-3.25X4.00	3-1/4	4	20.48