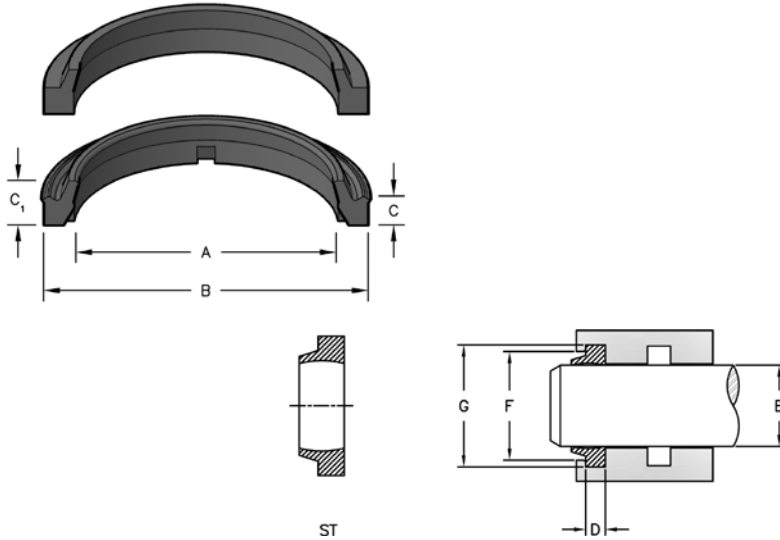


STYLE ST URETHANE WIPER RINGS

Style ST wiper rings are precision molded from 90A durometer urethane. Flexible enough to easily snap into a groove yet tough enough to handle difficult rod wiping applications. "V" tagged wipers are constructed of fluorocarbon.



SEAL INFORMATION	
MATERIAL	URETHANE / FLUOROCARBON
TEMPERATURE RANGE	URETHANE: -40° TO +200° F FLUOROCARBON: -20° TO +400° F
SPEED	3 FT/SEC
PART NUMBER	(Prefix) - (Size) (Alternative Mat.)

Part Number	A Nom. ID	B Nom. OD	C Nom. Ht	C ₁ OVERALL HEIGHT	D GROOVE WIDTH	E ROD DIAMETER	F THROAT DIAMETER	G HOUSING DIAMETER	List Price
ST-25	1/4	1/2	1/8	.210	.124 ^{+0.004} / _{+0.000}	.250 ^{-0.0005} / _{-0.0019}	.410 ^{+0.010} / _{+0.000}	.497 ^{+0.006} / _{+0.000}	\$2.42
ST-31	5/16	9/16	1/8	.210	.124 ^{+0.004} / _{+0.000}	.313 ^{-0.0005} / _{-0.0019}	.475 ^{+0.010} / _{+0.000}	.560 ^{+0.006} / _{+0.000}	2.42
ST-37	3/8	5/8	1/8	.210	.124 ^{+0.004} / _{+0.000}	.375 ^{-0.0005} / _{-0.0019}	.535 ^{+0.010} / _{+0.000}	.622 ^{+0.006} / _{+0.000}	2.42
ST-43	7/16	11/16	1/8	.210	.124 ^{+0.004} / _{+0.000}	.438 ^{-0.0006} / _{-0.0023}	.600 ^{+0.010} / _{+0.000}	.685 ^{+0.006} / _{+0.000}	2.38
ST-50	1/2	3/4	1/8	.210	.124 ^{+0.004} / _{+0.000}	.500 ^{-0.0006} / _{-0.0023}	.660 ^{+0.010} / _{+0.000}	.747 ^{+0.006} / _{+0.000}	2.74
ST-56	9/16	13/16	1/8	.210	.124 ^{+0.004} / _{+0.000}	.563 ^{-0.0006} / _{-0.0023}	.725 ^{+0.010} / _{+0.000}	.810 ^{+0.006} / _{+0.000}	2.74
ST-62	5/8	7/8	1/8	.210	.124 ^{+0.004} / _{+0.000}	.625 ^{-0.0006} / _{-0.0023}	.785 ^{+0.010} / _{+0.000}	.872 ^{+0.006} / _{+0.000}	2.74
ST-62V	5/8	7/8	1/8	.210	.124 ^{+0.004} / _{+0.000}	.625 ^{-0.0006} / _{-0.0023}	.785 ^{+0.010} / _{+0.000}	.872 ^{+0.006} / _{+0.000}	9.84
ST-75	3/4	1-1/8	3/16	.305	.187 ^{+0.004} / _{+0.000}	.750 ^{-0.0008} / _{-0.0028}	.995 ^{+0.010} / _{+0.000}	1.122 ^{+0.006} / _{+0.000}	2.74
ST-81	13/16	1-3/16	3/16	.305	.187 ^{+0.004} / _{+0.000}	.813 ^{-0.0008} / _{-0.0028}	1.060 ^{+0.010} / _{+0.000}	1.185 ^{+0.006} / _{+0.000}	2.74
ST-87	7/8	1-1/4	3/16	.305	.187 ^{+0.004} / _{+0.000}	.875 ^{-0.0008} / _{-0.0028}	1.120 ^{+0.010} / _{+0.000}	1.247 ^{+0.006} / _{+0.000}	2.74
ST-93	15/16	1-5/16	3/16	.305	.187 ^{+0.004} / _{+0.000}	.938 ^{-0.0008} / _{-0.0028}	1.185 ^{+0.010} / _{+0.000}	1.310 ^{+0.006} / _{+0.000}	2.49
ST-100	1	1-3/8	3/16	.305	.187 ^{+0.004} / _{+0.000}	1.000 ^{-0.0008} / _{-0.0028}	1.245 ^{+0.010} / _{+0.000}	1.372 ^{+0.006} / _{+0.000}	2.74
ST-100V	1	1-3/8	3/16	.305	.187 ^{+0.004} / _{+0.000}	1.000 ^{-0.0008} / _{-0.0028}	1.245 ^{+0.010} / _{+0.000}	1.372 ^{+0.006} / _{+0.000}	11.48
ST-110	1.075	1.507	3/16	.305	.187 ^{+0.004} / _{+0.000}	1.075 ^{-0.0008} / _{-0.0028}	1.305 ^{+0.010} / _{+0.000}	1.504 ^{+0.006} / _{+0.000}	2.74

STYLE ST URETHANE WIPER RINGS



Part Number	A Nom. ID	B Nom. OD	C Nom. Ht	C ₁ OVERALL HEIGHT	D GROOVE WIDTH	E ROD DIAMETER	F THROAT DIAMETER	G HOUSING DIAMETER	List Price
ST-112	1-1/8	1-1/2	3/16	.305	.187 ^{+0.04} / _{+0.00}	1.125 ^{-0.008} / _{-0.0028}	1.370 ^{+0.010} / _{+0.00}	1.497 ^{+0.006} / _{+0.00}	2.74
ST-112V	1-1/8	1-1/2	3/16	.305	.187 ^{+0.04} / _{+0.00}	1.125 ^{-0.008} / _{-0.0028}	1.370 ^{+0.010} / _{+0.00}	1.497 ^{+0.006} / _{+0.00}	13.15
ST-118	1-3/16	1-9/16	3/16	.305	.187 ^{+0.04} / _{+0.00}	1.188 ^{-0.010} / _{-0.0034}	1.435 ^{+0.010} / _{+0.00}	1.560 ^{+0.006} / _{+0.00}	2.78
ST-125	1-1/4	1-5/8	3/16	.305	.187 ^{+0.04} / _{+0.00}	1.250 ^{-0.010} / _{-0.0034}	1.495 ^{+0.010} / _{+0.00}	1.622 ^{+0.006} / _{+0.00}	2.99
ST-125V	1-1/4	1-5/8	3/16	.305	.187 ^{+0.04} / _{+0.00}	1.250 ^{-0.010} / _{-0.0034}	1.495 ^{+0.010} / _{+0.00}	1.622 ^{+0.006} / _{+0.00}	15.08
ST-131	1-5/16	1-11/16	3/16	.305	.187 ^{+0.04} / _{+0.00}	1.313 ^{-0.010} / _{-0.0034}	1.560 ^{+0.010} / _{+0.00}	1.685 ^{+0.006} / _{+0.00}	3.11
ST-137	1-3/8	1-3/4	3/16	.305	.187 ^{+0.04} / _{+0.00}	1.375 ^{-0.010} / _{-0.0034}	1.620 ^{+0.010} / _{+0.00}	1.747 ^{+0.006} / _{+0.00}	3.19
ST-137V	1-3/8	1-3/4	3/16	.305	.187 ^{+0.04} / _{+0.00}	1.375 ^{-0.010} / _{-0.0034}	1.620 ^{+0.010} / _{+0.00}	1.747 ^{+0.006} / _{+0.00}	14.14
ST-143	1-7/16	1-13/16	3/16	.305	.187 ^{+0.04} / _{+0.00}	1.438 ^{-0.010} / _{-0.0034}	1.685 ^{+0.010} / _{+0.00}	1.810 ^{+0.006} / _{+0.00}	11.11
ST-150	1-1/2	1-7/8	3/16	.305	.187 ^{+0.04} / _{+0.00}	1.500 ^{-0.010} / _{-0.0034}	1.745 ^{+0.010} / _{+0.00}	1.872 ^{+0.006} / _{+0.00}	3.50
ST-150V	1-1/2	1-7/8	3/16	.305	.187 ^{+0.04} / _{+0.00}	1.500 ^{-0.010} / _{-0.0034}	1.745 ^{+0.010} / _{+0.00}	1.872 ^{+0.006} / _{+0.00}	15.87
ST-156	1-9/16	1-15/16	3/16	.305	.187 ^{+0.04} / _{+0.00}	1.563 ^{-0.010} / _{-0.0034}	1.810 ^{+0.010} / _{+0.00}	1.935 ^{+0.006} / _{+0.00}	3.51
ST-162	1-5/8	2	3/16	.305	.187 ^{+0.04} / _{+0.00}	1.625 ^{-0.010} / _{-0.0034}	1.870 ^{+0.010} / _{+0.00}	1.997 ^{+0.006} / _{+0.00}	3.61
ST-175	1-3/4	2-1/8	3/16	.305	.187 ^{+0.04} / _{+0.00}	1.750 ^{-0.010} / _{-0.0034}	1.995 ^{+0.010} / _{+0.00}	2.122 ^{+0.006} / _{+0.00}	3.92
ST-175V	1-3/4	2-1/8	3/16	.305	.187 ^{+0.04} / _{+0.00}	1.750 ^{-0.010} / _{-0.0034}	1.995 ^{+0.010} / _{+0.00}	2.122 ^{+0.006} / _{+0.00}	15.98
ST-187	1-7/8	2-1/4	3/16	.305	.187 ^{+0.04} / _{+0.00}	1.875 ^{-0.010} / _{-0.0034}	2.120 ^{+0.010} / _{+0.00}	2.247 ^{+0.006} / _{+0.00}	4.06
ST-193	1-15/16	2-5/16	3/16	.305	.187 ^{+0.04} / _{+0.00}	1.938 ^{-0.010} / _{-0.0034}	2.185 ^{+0.010} / _{+0.00}	2.310 ^{+0.006} / _{+0.00}	4.22
ST-200	2	2-1/2	1/4	.395	.249 ^{+0.04} / _{+0.00}	2.000 ^{-0.012} / _{-0.0041}	2.327 ^{+0.010} / _{+0.00}	2.497 ^{+0.006} / _{+0.00}	4.11
ST-200V	2	2-1/2	1/4	.395	.249 ^{+0.04} / _{+0.00}	2.000 ^{-0.012} / _{-0.0041}	2.327 ^{+0.010} / _{+0.00}	2.497 ^{+0.006} / _{+0.00}	19.92
ST-212A	2-1/8	2-1/2	3/16	.305	.187 ^{+0.04} / _{+0.00}	2.125 ^{-0.012} / _{-0.0041}	2.452 ^{+0.010} / _{+0.00}	2.497 ^{+0.006} / _{+0.00}	11.62
ST-212	2-1/8	2-5/8	1/4	.395	.249 ^{+0.04} / _{+0.00}	2.125 ^{-0.012} / _{-0.0041}	2.452 ^{+0.010} / _{+0.00}	2.622 ^{+0.006} / _{+0.00}	4.26
ST-225	2-1/4	2-3/4	1/4	.395	.249 ^{+0.04} / _{+0.00}	2.250 ^{-0.012} / _{-0.0041}	2.577 ^{+0.010} / _{+0.00}	2.747 ^{+0.006} / _{+0.00}	4.34
ST-237	2-3/8	2-7/8	1/4	.395	.249 ^{+0.04} / _{+0.00}	2.375 ^{-0.012} / _{-0.0041}	2.702 ^{+0.010} / _{+0.00}	2.872 ^{+0.006} / _{+0.00}	4.56
ST-250	2-1/2	3	1/4	.395	.249 ^{+0.04} / _{+0.00}	2.500 ^{-0.012} / _{-0.0041}	2.827 ^{+0.010} / _{+0.00}	2.997 ^{+0.006} / _{+0.00}	4.86
ST-250V	2-1/2	3	1/4	.395	.249 ^{+0.04} / _{+0.00}	2.500 ^{-0.012} / _{-0.0041}	2.827 ^{+0.010} / _{+0.00}	2.997 ^{+0.006} / _{+0.00}	30.97
ST-262	2-5/8	3-1/8	1/4	.395	.249 ^{+0.04} / _{+0.00}	2.625 ^{-0.012} / _{-0.0041}	2.952 ^{+0.010} / _{+0.00}	3.122 ^{+0.006} / _{+0.00}	4.86
ST-275	2-3/4	3-1/4	1/4	.395	.249 ^{+0.04} / _{+0.00}	2.750 ^{-0.012} / _{-0.0041}	3.077 ^{+0.010} / _{+0.00}	3.247 ^{+0.006} / _{+0.00}	5.00
ST-287	2-7/8	3-3/8	1/4	.395	.249 ^{+0.04} / _{+0.00}	2.875 ^{-0.012} / _{-0.0041}	3.202 ^{+0.010} / _{+0.00}	3.372 ^{+0.006} / _{+0.00}	5.20
ST-300	3	3-1/2	1/4	.395	.249 ^{+0.04} / _{+0.00}	3.000 ^{-0.012} / _{-0.0041}	3.327 ^{+0.010} / _{+0.00}	3.497 ^{+0.006} / _{+0.00}	5.20
ST-300V	3	3-1/2	1/4	.395	.249 ^{+0.04} / _{+0.00}	3.000 ^{-0.012} / _{-0.0041}	3.327 ^{+0.010} / _{+0.00}	3.497 ^{+0.006} / _{+0.00}	35.67

STYLE ST URETHANE WIPER RINGS

Part Number	A Nom. ID	B Nom. OD	C Nom. Ht	C ₁ OVERALL HEIGHT	D GROOVE WIDTH	E ROD DIAMETER	F THROAT DIAMETER	G HOUSING DIAMETER	List Price
ST-312	3-1/8	3-5/8	1/4	.395	.249 ^{+0.004} / _{+0.000}	3.125 ^{-0.0012} / _{-0.0041}	3.452 ^{+0.010} / _{+0.000}	3.622 ^{+0.006} / _{+0.000}	5.78
ST-325	3-1/4	3-3/4	1/4	.395	.249 ^{+0.004} / _{+0.000}	3.250 ^{-0.0014} / _{-0.0048}	3.577 ^{+0.010} / _{+0.000}	3.747 ^{+0.006} / _{+0.000}	5.78
ST-325V	3-1/4	3-3/4	1/4	.395	.249 ^{+0.004} / _{+0.000}	3.250 ^{-0.0014} / _{-0.0048}	3.577 ^{+0.010} / _{+0.000}	3.747 ^{+0.006} / _{+0.000}	33.04
ST-337	3-3/8	3-7/8	1/4	.395	.249 ^{+0.004} / _{+0.000}	3.375 ^{-0.0014} / _{-0.0048}	3.702 ^{+0.010} / _{+0.000}	3.872 ^{+0.006} / _{+0.000}	5.95
ST-350	3-1/2	4	1/4	.395	.249 ^{+0.004} / _{+0.000}	3.500 ^{-0.0014} / _{-0.0048}	3.827 ^{+0.010} / _{+0.000}	3.997 ^{+0.006} / _{+0.000}	5.95
ST-350V	3-1/2	4	1/4	.395	.249 ^{+0.004} / _{+0.000}	3.500 ^{-0.0014} / _{-0.0048}	3.827 ^{+0.010} / _{+0.000}	3.997 ^{+0.006} / _{+0.000}	40.93
ST-362	3-5/8	4-1/8	1/4	.395	.249 ^{+0.004} / _{+0.000}	3.625 ^{-0.0014} / _{-0.0048}	3.952 ^{+0.010} / _{+0.000}	4.122 ^{+0.006} / _{+0.000}	6.90
ST-375	3-3/4	4-1/4	1/4	.395	.249 ^{+0.004} / _{+0.000}	3.750 ^{-0.0014} / _{-0.0048}	4.077 ^{+0.010} / _{+0.000}	4.247 ^{+0.006} / _{+0.000}	6.90
ST-387	3-7/8	4-3/8	1/4	.395	.249 ^{+0.004} / _{+0.000}	3.875 ^{-0.0014} / _{-0.0048}	4.202 ^{+0.010} / _{+0.000}	4.372 ^{+0.006} / _{+0.000}	7.75
ST-400	4	4-1/2	1/4	.395	.249 ^{+0.004} / _{+0.000}	4.000 ^{-0.0014} / _{-0.0048}	4.327 ^{+0.010} / _{+0.000}	4.497 ^{+0.006} / _{+0.000}	7.75
ST-412	4-1/8	4-5/8	1/4	.395	.249 ^{+0.004} / _{+0.000}	4.125 ^{-0.0014} / _{-0.0048}	4.452 ^{+0.010} / _{+0.000}	4.622 ^{+0.006} / _{+0.000}	7.89
ST-425	4-1/4	4-3/4	1/4	.395	.249 ^{+0.004} / _{+0.000}	4.250 ^{-0.0014} / _{-0.0048}	4.577 ^{+0.010} / _{+0.000}	4.747 ^{+0.006} / _{+0.000}	8.01
ST-437	4-3/8	4-7/8	1/4	.395	.249 ^{+0.004} / _{+0.000}	4.375 ^{-0.0014} / _{-0.0048}	4.702 ^{+0.010} / _{+0.000}	4.872 ^{+0.006} / _{+0.000}	8.59
ST-451	4-1/2	5	1/4	.395	.249 ^{+0.004} / _{+0.000}	4.500 ^{-0.0014} / _{-0.0048}	4.827 ^{+0.010} / _{+0.000}	4.997 ^{+0.006} / _{+0.000}	8.59
ST-450	4-1/2	5-1/4	3/8	.585	.374 ^{+0.004} / _{+0.000}	4.500 ^{-0.0014} / _{-0.0048}	4.993 ^{+0.010} / _{+0.000}	5.247 ^{+0.006} / _{+0.000}	8.68
ST-475	4-3/4	5-1/2	3/8	.585	.374 ^{+0.004} / _{+0.000}	4.750 ^{-0.0017} / _{-0.0056}	5.243 ^{+0.010} / _{+0.000}	5.497 ^{+0.006} / _{+0.000}	9.19
ST-487	4-7/8	5-5/8	3/8	.585	.374 ^{+0.004} / _{+0.000}	4.875 ^{-0.0017} / _{-0.0056}	5.368 ^{+0.010} / _{+0.000}	5.622 ^{+0.006} / _{+0.000}	10.95
ST-501	5	5-1/2	1/4	.395	.249 ^{+0.004} / _{+0.000}	5.000 ^{-0.0017} / _{-0.0056}	5.327 ^{+0.010} / _{+0.000}	5.497 ^{+0.006} / _{+0.000}	11.77
ST-500	5	5-3/4	3/8	.585	.374 ^{+0.004} / _{+0.000}	5.000 ^{-0.0017} / _{-0.0056}	5.493 ^{+0.010} / _{+0.000}	5.747 ^{+0.006} / _{+0.000}	12.12
ST-525	5-1/4	6	3/8	.585	.374 ^{+0.004} / _{+0.000}	5.250 ^{-0.0017} / _{-0.0056}	5.743 ^{+0.010} / _{+0.000}	5.997 ^{+0.006} / _{+0.000}	14.97
ST-550	5-1/2	6-1/4	3/8	.585	.374 ^{+0.004} / _{+0.000}	5.500 ^{-0.0017} / _{-0.0056}	5.993 ^{+0.010} / _{+0.000}	6.247 ^{+0.006} / _{+0.000}	15.06
ST-575	5-3/4	6-1/2	3/8	.585	.374 ^{+0.004} / _{+0.000}	5.750 ^{-0.0017} / _{-0.0056}	6.243 ^{+0.010} / _{+0.000}	6.497 ^{+0.006} / _{+0.000}	16.94
ST-600	6	6-3/4	3/8	.585	.374 ^{+0.004} / _{+0.000}	6.000 ^{-0.0017} / _{-0.0056}	6.493 ^{+0.010} / _{+0.000}	6.747 ^{+0.006} / _{+0.000}	17.82
ST-625	6-1/4	7	3/8	.585	.374 ^{+0.004} / _{+0.000}	6.250 ^{-0.0017} / _{-0.0056}	6.743 ^{+0.010} / _{+0.000}	6.997 ^{+0.006} / _{+0.000}	18.32
ST-650	6-1/2	7-1/4	3/8	.585	.374 ^{+0.004} / _{+0.000}	6.500 ^{-0.0017} / _{-0.0056}	6.993 ^{+0.010} / _{+0.000}	7.247 ^{+0.006} / _{+0.000}	18.80
ST-650-A	6-1/2	7-1/2	3/8	.585	.374 ^{+0.004} / _{+0.000}	6.500 ^{-0.0017} / _{-0.0056}	7.159 ^{+0.010} / _{+0.000}	7.497 ^{+0.006} / _{+0.000}	66.67
ST-660	6-1/2	7-1/2	1/2	.775	.499 ^{+0.004} / _{+0.000}	6.500 ^{-0.0017} / _{-0.0056}	6.993 ^{+0.010} / _{+0.000}	7.497 ^{+0.006} / _{+0.000}	61.71
ST-675	6-3/4	7-1/2	3/8	.585	.374 ^{+0.004} / _{+0.000}	6.750 ^{-0.0017} / _{-0.0056}	7.243 ^{+0.010} / _{+0.000}	7.497 ^{+0.006} / _{+0.000}	19.67
ST-702	7	8	.4	.675	.399 ^{+0.004} / _{+0.000}	7.000 ^{-0.0017} / _{-0.0056}	7.659 ^{+0.010} / _{+0.000}	7.997 ^{+0.006} / _{+0.000}	61.47
ST-701	7	8	1/2	.775	.499 ^{+0.004} / _{+0.000}	7.000 ^{-0.0017} / _{-0.0056}	7.659 ^{+0.010} / _{+0.000}	7.997 ^{+0.006} / _{+0.000}	61.20

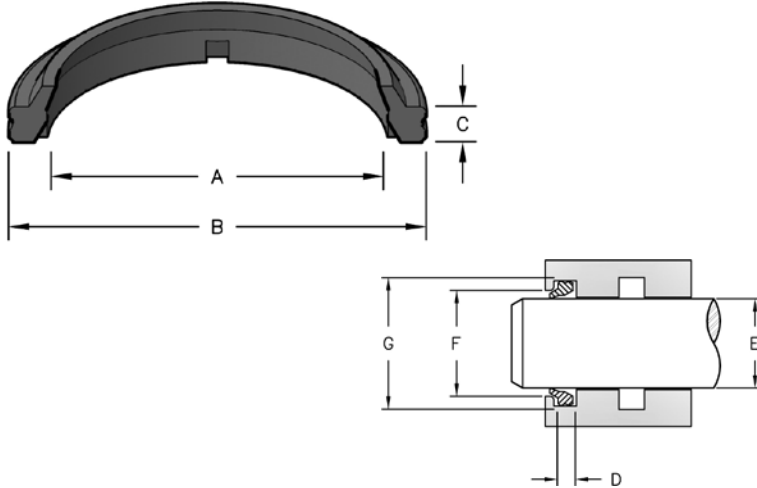
STYLE ST URETHANE WIPER RINGS



Part Number	A Nom. ID	B Nom. OD	C Nom. Ht	C ₁ OVERALL HEIGHT	D GROOVE WIDTH	E ROD DIAMETER	F THROAT DIAMETER	G HOUSING DIAMETER	List Price
ST-750	7-1/2	8-1/4	3/8	.585	.374 ^{+0.004} / _{+0.000}	7.500 ^{-0.0020} / _{-0.0065}	7.993 ^{+0.010} / _{+0.000}	8.247 ^{+0.006} / _{+0.000}	21.93
ST-750-A	7-1/2	8-1/2	3/8	.585	.374 ^{+0.004} / _{+0.000}	7.500 ^{-0.0020} / _{-0.0065}	8.159 ^{+0.010} / _{+0.000}	8.497 ^{+0.006} / _{+0.000}	74.53
ST-775	7-3/4	8-1/2	3/8	.585	.374 ^{+0.004} / _{+0.000}	7.750 ^{-0.0020} / _{-0.0065}	8.243 ^{+0.010} / _{+0.000}	8.497 ^{+0.006} / _{+0.000}	23.49
ST-801	8	8-1/2	1/4	.395	.249 ^{+0.004} / _{+0.000}	8.000 ^{-0.0020} / _{-0.0065}	8.327 ^{+0.010} / _{+0.000}	8.497 ^{+0.006} / _{+0.000}	25.11
ST-800	8	8-3/4	3/8	.585	.374 ^{+0.004} / _{+0.000}	8.000 ^{-0.0020} / _{-0.0065}	8.493 ^{+0.010} / _{+0.000}	8.747 ^{+0.006} / _{+0.000}	25.11
ST-825	8-1/4	9	3/8	.585	.374 ^{+0.004} / _{+0.000}	8.250 ^{-0.0020} / _{-0.0065}	8.743 ^{+0.010} / _{+0.000}	8.997 ^{+0.006} / _{+0.000}	25.46
ST-851	8-1/2	9	1/4	.395	.249 ^{+0.004} / _{+0.000}	8.500 ^{-0.0020} / _{-0.0065}	8.827 ^{+0.010} / _{+0.000}	8.997 ^{+0.006} / _{+0.000}	62.69
ST-850	8-1/2	9-1/4	3/8	.585	.374 ^{+0.004} / _{+0.000}	8.500 ^{-0.0020} / _{-0.0065}	8.993 ^{+0.010} / _{+0.000}	9.247 ^{+0.006} / _{+0.000}	25.46
ST-875	8-3/4	9-1/2	1/4	.395	.374 ^{+0.004} / _{+0.000}	8.750 ^{-0.0020} / _{-0.0065}	9.243 ^{+0.010} / _{+0.000}	9.497 ^{+0.006} / _{+0.000}	27.05
ST-900	9	9-3/4	3/8	.585	.374 ^{+0.004} / _{+0.000}	9.000 ^{-0.0020} / _{-0.0065}	9.493 ^{+0.010} / _{+0.000}	9.747 ^{+0.006} / _{+0.000}	28.94
ST-950	9-1/2	10-1/4	3/8	.585	.374 ^{+0.004} / _{+0.000}	9.500 ^{-0.0020} / _{-0.0065}	9.993 ^{+0.010} / _{+0.000}	10.247 ^{+0.006} / _{+0.000}	30.40
ST-975	9-3/4	10-1/2	3/8	.585	.374 ^{+0.004} / _{+0.000}	9.750 ^{-0.0020} / _{-0.0065}	10.243 ^{+0.010} / _{+0.000}	10.497 ^{+0.006} / _{+0.000}	32.45
ST-1000A	10	10-1/2	1/4	.395	.249 ^{+0.004} / _{+0.000}	10.000 ^{-0.0022} / _{-0.0073}	10.659 ^{+0.010} / _{+0.000}	10.497 ^{+0.006} / _{+0.000}	79.49
ST-1000	10	11	1/2	.775	.499 ^{+0.004} / _{+0.000}	10.000 ^{-0.0022} / _{-0.0073}	10.659 ^{+0.010} / _{+0.000}	10.997 ^{+0.006} / _{+0.000}	37.18
ST-1100	11	12	1/2	.775	.499 ^{+0.004} / _{+0.000}	11.000 ^{-0.0022} / _{-0.0073}	11.659 ^{+0.010} / _{+0.000}	11.997 ^{+0.006} / _{+0.000}	40.32
ST-1200	12	13	1/2	.775	.499 ^{+0.004} / _{+0.000}	12.000 ^{-0.0022} / _{-0.0073}	12.659 ^{+0.010} / _{+0.000}	12.997 ^{+0.006} / _{+0.000}	43.14
ST-1201	12	13-1/4	1/2	.775	.499 ^{+0.004} / _{+0.000}	12.000 ^{-0.0022} / _{-0.0073}	12.909 ^{+0.010} / _{+0.000}	13.247 ^{+0.006} / _{+0.000}	91.17
ST-1250	12-1/2	13-1/2	1/2	.775	.499 ^{+0.004} / _{+0.000}	12.500 ^{-0.0024} / _{-0.0080}	13.159 ^{+0.010} / _{+0.000}	13.497 ^{+0.006} / _{+0.000}	93.45

STYLE ST URETHANE WIPER RINGS WITH SLOTTED HEEL

A wide range of ST wipers are now offered in the slotted heel design. The slots in the heel allow excess hydraulic fluid to bypass the wiper, preventing wiper blowout.



SEAL INFORMATION

MATERIAL	90A URETHANE
TEMPERATURE RANGE	-40° TO +200° F
SPEED	3 FT/SEC
PART NUMBER	(Prefix) - (Size) - (Slotted Heel)

Part Number	A Nom. ID	B Nom. OD	C Nom. Ht	D GROOVE WIDTH	E ROD DIAMETER	F THROAT DIAMETER	G HOUSING DIAMETER	List Price
ST-31-SH	5/16	9/16	1/8	.124 +0.004 +0.000	.312 -0.0005 -0.0019	.475 +0.010 +0.000	.560 +0.006 +0.000	\$2.31
ST-37-SH	3/8	5/8	1/8	.124 +0.004 +0.000	.375 -0.0005 -0.0019	.535 +0.010 +0.000	.622 +0.006 +0.000	2.31
ST-43-SH	7/16	11/16	1/8	.124 +0.004 +0.000	.437 -0.0006 -0.0023	.600 +0.010 +0.000	.685 +0.006 +0.000	2.31
ST-50-SH	1/2	3/4	1/8	.124 +0.004 +0.000	.500 -0.0006 -0.0023	.660 +0.010 +0.000	.747 +0.006 +0.000	2.31
ST-62-SH	5/8	7/8	1/8	.124 +0.004 +0.000	.625 -0.0006 -0.0023	.785 +0.010 +0.000	.872 +0.006 +0.000	2.74
ST-75-SH	3/4	1-1/8	3/16	.187 +0.004 +0.000	.750 -0.0008 -0.0028	.995 +0.010 +0.000	1.122 +0.006 +0.000	2.74
ST-87-SH	7/8	1-1/4	3/16	.187 +0.004 +0.000	.875 -0.0008 -0.0028	1.120 +0.010 +0.000	1.247 +0.006 +0.000	2.74
ST-100-SH	1	1-3/8	3/16	.187 +0.004 +0.000	1.000 -0.0008 -0.0028	1.245 +0.010 +0.000	1.372 +0.006 +0.000	2.74
ST-112-SH	1-1/8	1-1/2	3/16	.187 +0.004 +0.000	1.125 -0.0008 -0.0028	1.370 +0.010 +0.000	1.497 +0.006 +0.000	2.74
ST-125-SH	1-1/4	1-5/8	3/16	.187 +0.004 +0.000	1.250 -0.0010 -0.0034	1.495 +0.010 +0.000	1.622 +0.006 +0.000	2.99
ST-137-SH	1-3/8	1-3/4	3/16	.187 +0.004 +0.000	1.375 -0.0010 -0.0034	1.620 +0.010 +0.000	1.747 +0.006 +0.000	3.19
ST-150-SH	1-1/2	1-7/8	3/16	.187 +0.004 +0.000	1.500 -0.0010 -0.0034	1.745 +0.010 +0.000	1.872 +0.006 +0.000	3.50
ST-162-SH	1-5/8	2	3/16	.187 +0.004 +0.000	1.625 -0.0010 -0.0034	1.870 +0.010 +0.000	1.997 +0.006 +0.000	3.73
ST-175-SH	1-3/4	2-1/8	3/16	.187 +0.004 +0.000	1.750 -0.0010 -0.0034	1.995 +0.010 +0.000	2.122 +0.006 +0.000	3.92
ST-187-SH	1-7/8	2-1/4	3/16	.187 +0.004 +0.000	1.875 -0.0010 -0.0034	2.120 +0.010 +0.000	2.247 +0.006 +0.000	4.01
ST-200-SH	2	2-1/2	1/4	.249 +0.004 +0.000	2.000 -0.0012 -0.0041	2.327 +0.010 +0.000	2.497 +0.006 +0.000	4.11
ST-212-SH	2-1/8	2-5/8	1/4	.249 +0.004 +0.000	2.125 -0.0012 -0.0041	2.452 +0.010 +0.000	2.622 +0.006 +0.000	4.28
ST-225-SH	2-1/4	2-3/4	1/4	.249 +0.004 +0.000	2.250 -0.0012 -0.0041	2.577 +0.010 +0.000	2.747 +0.006 +0.000	4.34
ST-237-SH	2-3/8	2-7/8	1/4	.249 +0.004 +0.000	2.375 -0.0012 -0.0041	2.702 +0.010 +0.000	2.872 +0.006 +0.000	4.34
ST-250-SH	2-1/2	3	1/4	.249 +0.004 +0.000	2.500 -0.0012 -0.0041	2.827 +0.010 +0.000	2.997 +0.006 +0.000	4.34

STYLE ST URETHANE WIPER RINGS WITH SLOTTED HEEL

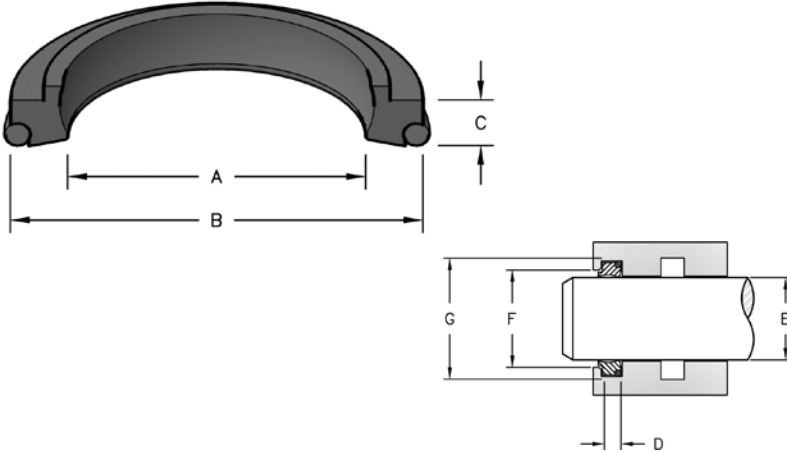


Part Number	A Nom. ID	B Nom. OD	C Nom. Ht	D GROOVE WIDTH	E ROD DIAMETER	F THROAT DIAMETER	G HOUSING DIAMETER	List Price
ST-262-SH	2-5/8	3-1/8	1/4	.249 ^{+0.004} / _{+0.000}	2.625 ^{-0.012} / _{-0.0041}	2.952 ^{+0.010} / _{+0.000}	3.122 ^{+0.006} / _{+0.000}	4.69
ST-275-SH	2-3/4	3-1/4	1/4	.249 ^{+0.004} / _{+0.000}	2.750 ^{-0.012} / _{-0.0041}	3.077 ^{+0.010} / _{+0.000}	3.247 ^{+0.006} / _{+0.000}	5.00
ST-300-SH	3	3-1/2	1/4	.249 ^{+0.004} / _{+0.000}	3.000 ^{-0.012} / _{-0.0041}	3.327 ^{+0.010} / _{+0.000}	3.497 ^{+0.006} / _{+0.000}	5.23
ST-312-SH	3-1/8	3-5/8	1/4	.249 ^{+0.004} / _{+0.000}	3.125 ^{-0.012} / _{-0.0041}	3.452 ^{+0.010} / _{+0.000}	3.622 ^{+0.006} / _{+0.000}	5.79
ST-325-SH	3-1/4	3-3/4	1/4	.249 ^{+0.004} / _{+0.000}	3.250 ^{-0.014} / _{-0.0048}	3.577 ^{+0.010} / _{+0.000}	3.747 ^{+0.006} / _{+0.000}	5.95
ST-350-SH	3-1/2	4	1/4	.249 ^{+0.004} / _{+0.000}	3.500 ^{-0.014} / _{-0.0048}	3.827 ^{+0.010} / _{+0.000}	3.997 ^{+0.006} / _{+0.000}	5.95
ST-362-SH	3-5/8	4-1/8	1/4	.249 ^{+0.004} / _{+0.000}	3.625 ^{-0.014} / _{-0.0048}	3.952 ^{+0.010} / _{+0.000}	4.122 ^{+0.006} / _{+0.000}	6.43
ST-375-SH	3-3/4	4-1/4	1/4	.249 ^{+0.004} / _{+0.000}	3.750 ^{-0.014} / _{-0.0048}	4.077 ^{+0.010} / _{+0.000}	4.247 ^{+0.006} / _{+0.000}	6.90
ST-400-SH	4	4-1/2	1/4	.249 ^{+0.004} / _{+0.000}	4.000 ^{-0.014} / _{-0.0048}	4.327 ^{+0.010} / _{+0.000}	4.497 ^{+0.006} / _{+0.000}	7.75
ST-425-SH	4-1/4	4-3/4	1/4	.249 ^{+0.004} / _{+0.000}	4.250 ^{-0.014} / _{-0.0048}	4.577 ^{+0.010} / _{+0.000}	4.747 ^{+0.006} / _{+0.000}	8.01
ST-450-SH	4-1/2	5-1/4	3/8	.374 ^{+0.004} / _{+0.000}	4.500 ^{-0.014} / _{-0.0048}	4.993 ^{+0.010} / _{+0.000}	5.247 ^{+0.006} / _{+0.000}	8.68
ST-475-SH	4-3/4	5-1/2	3/8	.374 ^{+0.004} / _{+0.000}	4.750 ^{-0.017} / _{-0.0056}	5.243 ^{+0.010} / _{+0.000}	5.497 ^{+0.006} / _{+0.000}	9.19
ST-500-SH	5	5-3/4	3/8	.374 ^{+0.004} / _{+0.000}	5.000 ^{-0.017} / _{-0.0056}	5.493 ^{+0.010} / _{+0.000}	5.747 ^{+0.006} / _{+0.000}	12.12
ST-525-SH	5-1/4	6	3/8	.374 ^{+0.004} / _{+0.000}	5.250 ^{-0.017} / _{-0.0056}	5.743 ^{+0.010} / _{+0.000}	5.997 ^{+0.006} / _{+0.000}	14.97
ST-550-SH	5-1/2	6-1/4	3/8	.374 ^{+0.004} / _{+0.000}	5.500 ^{-0.017} / _{-0.0056}	5.993 ^{+0.010} / _{+0.000}	6.247 ^{+0.006} / _{+0.000}	15.72
ST-600-SH	6	6-3/4	3/8	.374 ^{+0.004} / _{+0.000}	6.000 ^{-0.017} / _{-0.0056}	6.493 ^{+0.010} / _{+0.000}	6.747 ^{+0.006} / _{+0.000}	17.82
ST-700-SH	7	7-3/4	3/8	.374 ^{+0.004} / _{+0.000}	7.000 ^{-0.017} / _{-0.0056}	7.493 ^{+0.010} / _{+0.000}	7.747 ^{+0.006} / _{+0.000}	21.16
ST-725-SH	7-1/4	8	3/8	.374 ^{+0.004} / _{+0.000}	7.250 ^{-0.020} / _{-0.0065}	7.743 ^{+0.010} / _{+0.000}	7.997 ^{+0.006} / _{+0.000}	21.82
ST-750-SH	7-1/2	8-1/4	3/8	.374 ^{+0.004} / _{+0.000}	7.500 ^{-0.020} / _{-0.0065}	7.993 ^{+0.010} / _{+0.000}	8.247 ^{+0.006} / _{+0.000}	22.75
ST-800-SH	8	8-3/4	3/8	.374 ^{+0.004} / _{+0.000}	8.000 ^{-0.020} / _{-0.0065}	8.493 ^{+0.010} / _{+0.000}	8.747 ^{+0.006} / _{+0.000}	23.76
ST-900-SH	9	9-3/4	3/8	.374 ^{+0.004} / _{+0.000}	9.000 ^{-0.020} / _{-0.0065}	9.493 ^{+0.010} / _{+0.000}	9.747 ^{+0.006} / _{+0.000}	28.42

Seal color may vary.

STYLE STXE ENERGIZED WIPER RINGS

STXE wipers are designed to retrofit the standard ST wiper groove while providing superior performance. The o-ring energizer limits dirt intrusion around the OD of the wiper. The energizer also makes this wiper more effective in applications with severe side deflections.



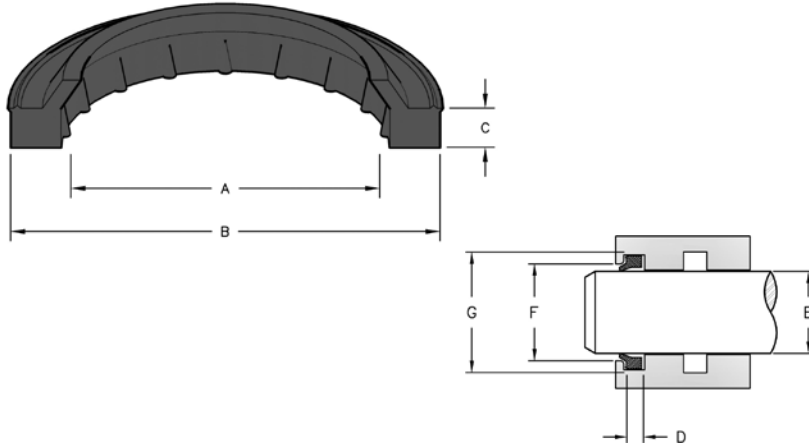
SEAL INFORMATION	
MATERIAL	URETHANE WIPER RUBBER ENERGIZER
TEMPERATURE RANGE	-40° TO +200° F
SPEED	3 FT/SEC
PART NUMBER	(Prefix) - (Size)

Part Number	A Nom. ID	B Nom. OD	C Nom. Ht	D GROOVE WIDTH	E ROD DIAMETER	F THROAT DIAMETER	G HOUSING DIAMETER	List Price
STXE-150	1-1/2	1-7/8	3/16	.187 ^{+0.004} / _{+0.000}	1.500 ^{-0.010} / _{-0.0034}	1.745 ^{+0.010} / _{+0.000}	1.872 ^{+0.006} / _{+0.000}	\$ 12.64
STXE-175	1-3/4	2-1/8	3/16	.187 ^{+0.004} / _{+0.000}	1.750 ^{-0.010} / _{-0.0034}	1.995 ^{+0.010} / _{+0.000}	2.122 ^{+0.006} / _{+0.000}	14.41
STXE-200	2	2-1/2	1/4	.249 ^{+0.004} / _{+0.000}	2.000 ^{-0.012} / _{-0.0041}	2.327 ^{+0.010} / _{+0.000}	2.497 ^{+0.006} / _{+0.000}	16.22
STXE-250	2-1/2	3	1/4	.249 ^{+0.004} / _{+0.000}	2.500 ^{-0.012} / _{-0.0041}	2.827 ^{+0.010} / _{+0.000}	2.997 ^{+0.006} / _{+0.000}	18.63
STXE-300	3	3-1/2	1/4	.249 ^{+0.004} / _{+0.000}	3.000 ^{-0.012} / _{-0.0041}	3.327 ^{+0.010} / _{+0.000}	3.497 ^{+0.006} / _{+0.000}	21.39
STXE-350	3-1/2	4	1/4	.249 ^{+0.004} / _{+0.000}	3.500 ^{-0.014} / _{-0.0048}	3.827 ^{+0.010} / _{+0.000}	3.997 ^{+0.006} / _{+0.000}	32.29
STXE-375	3-3/4	4-1/4	1/4	.249 ^{+0.004} / _{+0.000}	3.750 ^{-0.014} / _{-0.0048}	4.077 ^{+0.010} / _{+0.000}	4.247 ^{+0.006} / _{+0.000}	32.67
STXE-400	4	4-1/2	1/4	.249 ^{+0.004} / _{+0.000}	4.000 ^{-0.014} / _{-0.0048}	4.327 ^{+0.010} / _{+0.000}	4.497 ^{+0.006} / _{+0.000}	33.38
STXE-450	4-1/2	5-1/4	3/8	.374 ^{+0.004} / _{+0.000}	4.500 ^{-0.014} / _{-0.0048}	4.993 ^{+0.010} / _{+0.000}	5.247 ^{+0.006} / _{+0.000}	47.81

STYLE ST-XL URETHANE WIPER RINGS



Style ST-XL wipers are molded from premium urethane and are direct replacements for Style "ST" or "D" wipers. The outside diameter of the ring has a crush lip providing extra interference in the groove. A bead on the shoulder stops contaminants from entering through the groove. The inside diameter is ribbed to prevent pressure traps between the wiper and rod seal.



SEAL INFORMATION	
MATERIAL	94A URETHANE
TEMPERATURE RANGE	-40° TO +230° F
SPEED	3 FT/SEC
PART NUMBER	(Prefix) - (Size) - (Extra Lip)

Part Number	A Nom. ID	B Nom. OD	C Nom. Ht	D GROOVE WIDTH	E ROD DIAMETER	F THROAT DIAMETER	G HOUSING DIAMETER	List Price
ST-37-XL	3/8	5/8	1/8	.124 ^{+0.004} / _{+0.000}	.375 ^{-0.0005} / _{-0.0019}	.535 ^{+0.010} / _{+0.000}	.622 ^{+0.006} / _{+0.000}	\$2.55
ST-50-XL	1/2	3/4	1/8	.124 ^{+0.004} / _{+0.000}	.500 ^{-0.0006} / _{-0.0023}	.660 ^{+0.010} / _{+0.000}	.747 ^{+0.006} / _{+0.000}	2.55
ST-62-XL	5/8	7/8	1/8	.124 ^{+0.004} / _{+0.000}	.625 ^{-0.0006} / _{-0.0023}	.785 ^{+0.010} / _{+0.000}	.872 ^{+0.006} / _{+0.000}	1.53
ST-75-XL	3/4	1-1/8	3/16	.187 ^{+0.004} / _{+0.000}	.750 ^{-0.0008} / _{-0.0028}	.995 ^{+0.010} / _{+0.000}	1.122 ^{+0.006} / _{+0.000}	2.89
ST-87-XL	7/8	1-1/4	3/16	.187 ^{+0.004} / _{+0.000}	.875 ^{-0.0008} / _{-0.0028}	1.120 ^{+0.010} / _{+0.000}	1.247 ^{+0.006} / _{+0.000}	2.89
ST-100-XL	1	1-3/8	3/16	.187 ^{+0.004} / _{+0.000}	1.000 ^{-0.0008} / _{-0.0028}	1.245 ^{+0.010} / _{+0.000}	1.372 ^{+0.006} / _{+0.000}	3.85
ST-112-XL	1-1/8	1-1/2	3/16	.187 ^{+0.004} / _{+0.000}	1.125 ^{-0.0008} / _{-0.0028}	1.370 ^{+0.010} / _{+0.000}	1.497 ^{+0.006} / _{+0.000}	3.85
ST-118-XL	1-3/16	1-9/16	3/16	.187 ^{+0.004} / _{+0.000}	1.187 ^{-0.0010} / _{-0.0034}	1.4375 ^{+0.010} / _{+0.000}	1.5625 ^{+0.006} / _{+0.000}	3.38
ST-125-XL	1-1/4	1-5/8	3/16	.187 ^{+0.004} / _{+0.000}	1.250 ^{-0.0010} / _{-0.0034}	1.495 ^{+0.010} / _{+0.000}	1.622 ^{+0.006} / _{+0.000}	4.17
ST-137-XL	1-3/8	1-3/4	3/16	.187 ^{+0.004} / _{+0.000}	1.375 ^{-0.0010} / _{-0.0034}	1.620 ^{+0.010} / _{+0.000}	1.747 ^{+0.006} / _{+0.000}	4.42
ST-150-XL	1-1/2	1-7/8	3/16	.187 ^{+0.004} / _{+0.000}	1.500 ^{-0.0010} / _{-0.0034}	1.745 ^{+0.010} / _{+0.000}	1.872 ^{+0.006} / _{+0.000}	4.66
ST-162-XL	1-5/8	2	3/16	.187 ^{+0.004} / _{+0.000}	1.625 ^{-0.0010} / _{-0.0034}	1.870 ^{+0.010} / _{+0.000}	1.997 ^{+0.006} / _{+0.000}	5.07
ST-175-XL	1-3/4	2-1/8	3/16	.187 ^{+0.004} / _{+0.000}	1.750 ^{-0.0010} / _{-0.0034}	1.995 ^{+0.010} / _{+0.000}	2.122 ^{+0.006} / _{+0.000}	5.45
ST-187-XL	1-7/8	2-1/4	3/16	.187 ^{+0.004} / _{+0.000}	1.875 ^{-0.0010} / _{-0.0034}	2.120 ^{+0.010} / _{+0.000}	2.247 ^{+0.006} / _{+0.000}	6.00
ST-200-XL	2	2-1/2	1/4	.249 ^{+0.004} / _{+0.000}	2.000 ^{-0.0012} / _{-0.0041}	2.327 ^{+0.010} / _{+0.000}	2.497 ^{+0.006} / _{+0.000}	5.71
ST-225-XL	2-1/4	2-3/4	1/4	.249 ^{+0.004} / _{+0.000}	2.250 ^{-0.0012} / _{-0.0041}	2.577 ^{+0.010} / _{+0.000}	2.747 ^{+0.006} / _{+0.000}	6.02
ST-237-XL	2-3/8	2-7/8	1/4	.249 ^{+0.004} / _{+0.000}	2.375 ^{-0.0012} / _{-0.0041}	2.702 ^{+0.010} / _{+0.000}	2.872 ^{+0.006} / _{+0.000}	6.35
ST-250-XL	2-1/2	3	1/4	.249 ^{+0.004} / _{+0.000}	2.500 ^{-0.0012} / _{-0.0041}	2.827 ^{+0.010} / _{+0.000}	2.997 ^{+0.006} / _{+0.000}	6.68
ST-275-XL	2-3/4	3-1/4	1/4	.249 ^{+0.004} / _{+0.000}	2.750 ^{-0.0012} / _{-0.0041}	3.077 ^{+0.010} / _{+0.000}	3.247 ^{+0.006} / _{+0.000}	6.96
ST-300-XL	3	3-1/2	1/4	.249 ^{+0.004} / _{+0.000}	3.000 ^{-0.0012} / _{-0.0041}	3.327 ^{+0.010} / _{+0.000}	3.497 ^{+0.006} / _{+0.000}	7.23

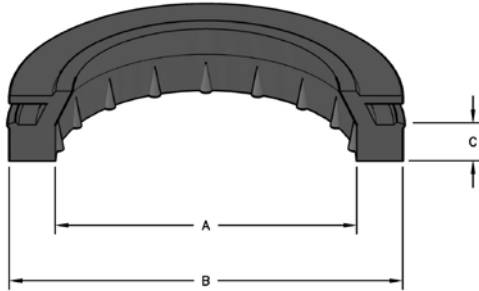
STYLE ST-XL URETHANE WIPER RINGS

Part Number	A Nom. ID	B Nom. OD	C Nom. Ht	D GROOVE WIDTH	E ROD DIAMETER	F THROAT DIAMETER	G HOUSING DIAMETER	List Price
ST-325-XL	3-1/4	3-3/4	1/4	.249 ^{+0.004} / _{+0.000}	3.250 ^{-0.014} / _{-0.0048}	3.577 ^{+0.010} / _{+0.000}	3.747 ^{+0.006} / _{+0.000}	7.98
ST-350-XL	3-1/2	4	1/4	.249 ^{+0.004} / _{+0.000}	3.500 ^{-0.014} / _{-0.0048}	3.827 ^{+0.010} / _{+0.000}	3.997 ^{+0.006} / _{+0.000}	8.22
ST-375-XL	3-3/4	4-1/4	1/4	.249 ^{+0.004} / _{+0.000}	3.750 ^{-0.014} / _{-0.0048}	4.077 ^{+0.010} / _{+0.000}	4.247 ^{+0.006} / _{+0.000}	9.48
ST-400-XL	4	4-1/2	1/4	.249 ^{+0.004} / _{+0.000}	4.000 ^{-0.014} / _{-0.0048}	4.327 ^{+0.010} / _{+0.000}	4.497 ^{+0.006} / _{+0.000}	10.74
ST-425-XL	4-1/4	4-3/4	1/4	.249 ^{+0.004} / _{+0.000}	4.250 ^{-0.014} / _{-0.0048}	4.577 ^{+0.010} / _{+0.000}	4.747 ^{+0.006} / _{+0.000}	11.37
ST-450-XL	4-1/2	5-1/4	3/8	.374 ^{+0.004} / _{+0.000}	4.500 ^{-0.014} / _{-0.0048}	4.993 ^{+0.010} / _{+0.000}	5.247 ^{+0.006} / _{+0.000}	11.99
ST-475-XL	4-3/4	5-1/2	3/8	.374 ^{+0.004} / _{+0.000}	4.750 ^{-0.017} / _{-0.0056}	5.243 ^{+0.010} / _{+0.000}	5.497 ^{+0.006} / _{+0.000}	15.04
ST-500-XL	5	5-3/4	3/8	.374 ^{+0.004} / _{+0.000}	5.000 ^{-0.017} / _{-0.0056}	5.493 ^{+0.010} / _{+0.000}	5.747 ^{+0.006} / _{+0.000}	18.08
ST-525-XL	5-1/4	6	3/8	.374 ^{+0.004} / _{+0.000}	5.250 ^{-0.017} / _{-0.0056}	5.743 ^{+0.010} / _{+0.000}	5.997 ^{+0.006} / _{+0.000}	20.68
ST-550-XL	5-1/2	6-1/4	3/8	.374 ^{+0.004} / _{+0.000}	5.500 ^{-0.017} / _{-0.0056}	5.993 ^{+0.010} / _{+0.000}	6.247 ^{+0.006} / _{+0.000}	20.82
ST-575-XL	5-3/4	6-1/2	3/8	.374 ^{+0.004} / _{+0.000}	5.750 ^{-0.017} / _{-0.0056}	6.243 ^{+0.010} / _{+0.000}	6.497 ^{+0.006} / _{+0.000}	22.67
ST-600-XL	6	6-3/4	3/8	.374 ^{+0.004} / _{+0.000}	6.000 ^{-0.017} / _{-0.0056}	6.493 ^{+0.010} / _{+0.000}	6.747 ^{+0.006} / _{+0.000}	24.52
ST-650-XL	6-1/2	7-1/4	3/8	.374 ^{+0.004} / _{+0.000}	6.500 ^{-0.017} / _{-0.0056}	6.993 ^{+0.010} / _{+0.000}	7.247 ^{+0.006} / _{+0.000}	20.55
ST-700-XL	7	7-3/4	3/8	.374 ^{+0.004} / _{+0.000}	7.000 ^{-0.017} / _{-0.0056}	7.493 ^{+0.010} / _{+0.000}	7.747 ^{+0.006} / _{+0.000}	22.61
ST-750-XL	7-1/2	8-1/4	3/8	.374 ^{+0.004} / _{+0.000}	7.500 ^{-0.020} / _{-0.0065}	7.993 ^{+0.010} / _{+0.000}	8.247 ^{+0.006} / _{+0.000}	25.97
ST-800-XL	8	8-3/4	3/8	.374 ^{+0.004} / _{+0.000}	8.000 ^{-0.020} / _{-0.0065}	8.493 ^{+0.010} / _{+0.000}	8.747 ^{+0.006} / _{+0.000}	27.44
ST-825-XL	8-1/4	9	3/8	.374 ^{+0.004} / _{+0.000}	8.250 ^{-0.020} / _{-0.0065}	8.743 ^{+0.010} / _{+0.000}	8.997 ^{+0.006} / _{+0.000}	29.44
ST-850-XL	8-1/2	9-1/4	3/8	.374 ^{+0.004} / _{+0.000}	8.500 ^{-0.020} / _{-0.0065}	8.993 ^{+0.010} / _{+0.000}	9.247 ^{+0.006} / _{+0.000}	30.03
ST-1000-XL	10	11	1/2	.499 ^{+0.004} / _{+0.000}	10.000 ^{-0.022} / _{-0.0073}	10.659 ^{+0.010} / _{+0.000}	10.997 ^{+0.006} / _{+0.000}	41.69

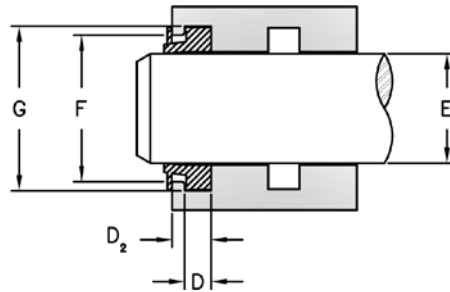
STYLE ST-XLF URETHANE WIPER RINGS



The ST-XLF wipers are designed to fit the standard ST wiper groove. These wipers include a dust lip to prevent contaminants from entering through the groove. They also have a ribbed inside diameter for low friction operation and to prevent pressure traps between the wiper and rod seal.



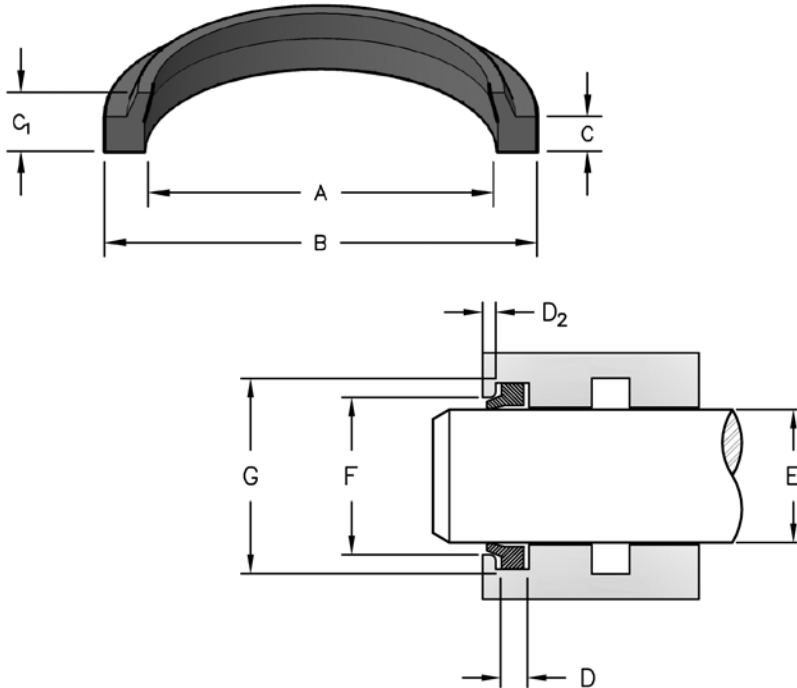
SEAL INFORMATION	
MATERIAL	URETHANE
TEMPERATURE RANGE	-50°F TO +230°F
SPEED	12 FT/SEC
PART NUMBER	(Prefix) - (Size) - (Extra Lip Flap)



Part Number	A Nom. ID	B Nom. OD	C Nom. Ht	C ₁ OVERALL HEIGHT	D GROOVE WIDTH	E ROD DIAMETER	F THROAT DIAMETER	G HOUSING DIAMETER	D ₂ OUTER THROAT DEPTH	List Price
ST-112-XLF	1-1/8	1-1/2	.187	.281	.187 ^{+0.004} / _{+0.000}	1.125 ^{-0.008} / _{-0.0028}	1.375 ±0.005	1.500 ±0.003	.281	\$7.38
ST-125-XLF	1-1/4	1-5/8	.187	.281	.187 ^{+0.004} / _{+0.000}	1.250 ^{-0.010} / _{-0.0034}	1.500 ±0.005	1.625 ±0.003	.281	7.49
ST-137-XLF	1-3/8	1-3/4	.187	.281	.187 ^{+0.004} / _{+0.000}	1.375 ^{-0.010} / _{-0.0034}	1.625 ±0.005	1.750 ±0.003	.281	7.66
ST-150-XLF	1-1/2	1-7/8	.187	.281	.187 ^{+0.004} / _{+0.000}	1.500 ^{-0.010} / _{-0.0034}	1.750 ±0.005	1.875 ±0.003	.281	7.91
ST-175-XLF	1-3/4	2-1/8	.187	.281	.187 ^{+0.004} / _{+0.000}	1.750 ^{-0.010} / _{-0.0034}	2.000 ±0.005	2.125 ±0.003	.281	8.19
ST-200-XLF	2	2-1/2	1/4	.375	.250 ^{+0.004} / _{+0.000}	2.000 ^{-0.012} / _{-0.0041}	2.332 ±0.005	2.500 ±0.003	.375	9.29
ST-225-XLF	2-1/4	2-3/4	1/4	.375	.250 ^{+0.004} / _{+0.000}	2.250 ^{-0.012} / _{-0.0041}	2.582 ±0.005	2.750 ±0.003	.375	9.70
ST-250-XLF	2-1/2	3	1/4	.375	.250 ^{+0.004} / _{+0.000}	2.500 ^{-0.012} / _{-0.0041}	2.832 ±0.005	3.000 ±0.003	.375	10.16
ST-300-XLF	3	3-1/2	1/4	.375	.250 ^{+0.004} / _{+0.000}	3.000 ^{-0.012} / _{-0.0041}	3.332 ±0.005	3.500 ±0.003	.375	10.80
ST-350-XLF	3-1/2	4	1/4	.375	.250 ^{+0.004} / _{+0.000}	3.500 ^{-0.014} / _{-0.0048}	3.832 ±0.005	4.000 ±0.003	.375	11.44
ST-400-XLF	4	4-1/2	1/4	.375	.250 ^{+0.004} / _{+0.000}	4.000 ^{-0.014} / _{-0.0048}	4.332 ±0.005	4.500 ±0.003	.375	12.48
ST-450-XLF	4-1/2	5-1/4	3/8	.562	.375 ^{+0.004} / _{+0.000}	4.500 ^{-0.014} / _{-0.0048}	4.832 ±0.005	5.250 ±0.003	.562	14.04
ST-500-XLF	5	5-3/4	3/8	.562	.375 ^{+0.004} / _{+0.000}	5.000 ^{-0.017} / _{-0.0056}	5.332 ±0.005	5.750 ±0.003	.562	17.32
ST-600-XLF	6	6-3/4	3/8	.562	.375 ^{+0.004} / _{+0.000}	6.000 ^{-0.017} / _{-0.0056}	6.498 ±0.005	6.750 ±0.003	.562	20.91

STYLE ST-E WIPER RINGS

Style ST-E is a light to medium duty urethane wiper ring with a square shoulder, similar to our standard ST style wipers but with different dimensions.



SEAL INFORMATION

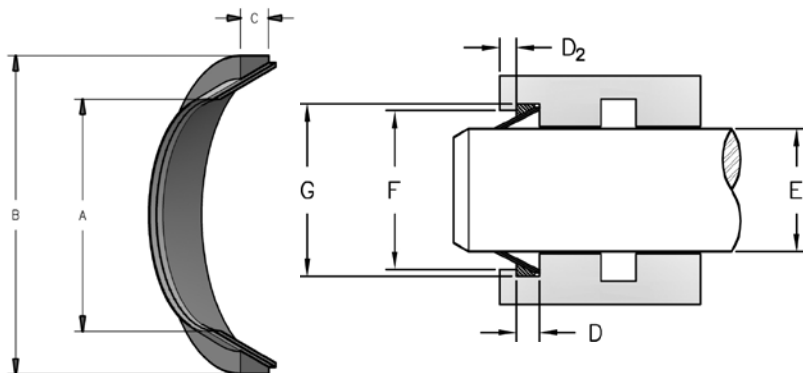
MATERIAL	URETHANE
TEMPERATURE RANGE	-31° TO +212° F
SPEED	3 FT/SEC
PART NUMBER	(Prefix) - (Size)

Part Number	A Nom. ID	B Nom. OD	C Nom. Ht	C ₁ OVERALL HEIGHT	D GROOVE WIDTH	E ROD DIAMETER	F THROAT DIAMETER	G HOUSING DIAMETER	D ₂ OUTER THROAT DEPTH	List Price
ST-200-E	2	2.46	3/16	.3125	.187 ^{+0.004} / _{+0.000}	2.000 ^{-0.012} / _{-0.0041}	2.230 ^{+0.008} / _{+0.000}	2.460 ^{+0.008} / _{+0.000}	.250	\$38.05
ST-275-E	2-3/4	3-3/16	3/16	.3125	.187 ^{+0.004} / _{+0.000}	2.750 ^{-0.012} / _{-0.0041}	2.980 ^{+0.008} / _{+0.000}	3.1875 ^{+0.008} / _{+0.000}	.250	14.58
ST-300-E	3	3-1/2	3/16	.3125	.187 ^{+0.004} / _{+0.000}	3.000 ^{-0.012} / _{-0.0041}	3.278 ^{+0.008} / _{+0.000}	3.500 ^{+0.008} / _{+0.000}	.3125	18.66
ST-350-E	3-1/2	4-1/16	3/16	.3125	.187 ^{+0.004} / _{+0.000}	3.500 ^{-0.014} / _{-0.0048}	3.850 ^{+0.008} / _{+0.000}	4.0625 ^{+0.008} / _{+0.000}	.395	19.82
ST-362-E	3-5/8	4-3/16	3/16	.3125	.187 ^{+0.004} / _{+0.000}	3.625 ^{-0.014} / _{-0.0048}	3.950 ^{+0.008} / _{+0.000}	4.1875 ^{+0.008} / _{+0.000}	.375	20.68
ST-437-E	4-3/8	4.9	3/16	.3125	.187 ^{+0.004} / _{+0.000}	4.375 ^{-0.014} / _{-0.0048}	4.697 ^{+0.008} / _{+0.000}	4.900 ^{+0.008} / _{+0.000}	.346	22.01
ST-525-E	5-1/4	5.84	3/16	.3125	.187 ^{+0.004} / _{+0.000}	5.250 ^{-0.017} / _{-0.0056}	5.602 ^{+0.008} / _{+0.000}	5.840 ^{+0.008} / _{+0.000}	.407	24.78
ST-631-E	6-5/16	6.9	3/16	.3125	.187 ^{+0.004} / _{+0.000}	6.312 ^{-0.017} / _{-0.0056}	6.665 ^{+0.008} / _{+0.000}	6.900 ^{+0.008} / _{+0.000}	.407	29.30
ST-731-E	7-5/16	7.9	3/16	.3125	.187 ^{+0.004} / _{+0.000}	7.312 ^{-0.020} / _{-0.0065}	7.665 ^{+0.008} / _{+0.000}	7.900 ^{+0.008} / _{+0.000}	.407	32.21
ST-837-E	8-3/8	8.97	3/16	.3125	.187 ^{+0.004} / _{+0.000}	8.375 ^{-0.020} / _{-0.0065}	8.665 ^{+0.008} / _{+0.000}	8.970 ^{+0.008} / _{+0.000}	.407	74.33

STYLE SG - "SEAL GUARD" METALLIC ROD WIPERS



Each Seal Guard Wiper consists of two flexible bronze rings which are held in place by a nitrile cushion ring. The cushion ring absorbs side loads and energizes the wiper to maintain close contact with the rod. Particularly suited for hostile environments, seal guard wipers shave off sand, grift, slag, flux, paint, moisture, chips and slivers. Seal Guard Wipers are long-lasting, self-adjusting, and offer low friction. Seal Guard Wipers can be installed in standard "ST" or "D" Style grooves by increasing the "F" gland dimension to the "F" Throat Diameter shown.

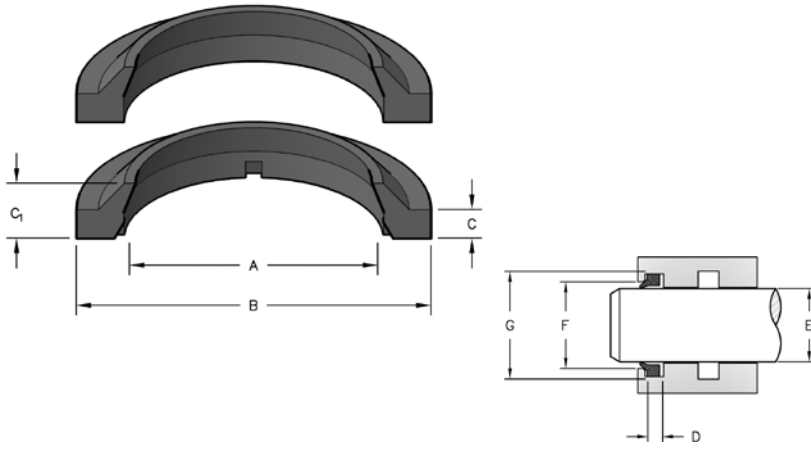


SEAL INFORMATION	
MATERIAL	660 BRONZE 70A NITRILE
TEMPERATURE RANGE	-40° TO +240° F
PART NUMBER	(Prefix) - (Size)

Part Number	A Nom. ID	B Nom. OD	C Nom. Ht	D GROOVE WIDTH	E ROD DIAMETER	F THROAT DIAMETER	G HOUSING DIAMETER	D ₂ OUTER THROAT DEPTH	List Price
SG-0.500	1/2	3/4	1/8	.124 ^{+0.004} _{+0.000}	.500 ^{+0.001} _{-0.002}	.704 ^{+0.000} _{-0.010}	.747 ^{+0.006} _{+0.000}	.018 ^{+0.015} _{+0.000}	\$18.74
SG-0.625	5/8	7/8	1/8	.124 ^{+0.004} _{+0.000}	.625 ^{+0.001} _{-0.002}	.829 ^{+0.000} _{-0.010}	.872 ^{+0.006} _{+0.000}	.018 ^{+0.015} _{+0.000}	17.50
SG-0.750	3/4	1-1/8	3/16	.187 ^{+0.004} _{+0.000}	.750 ^{+0.001} _{-0.002}	1.072 ^{+0.000} _{-0.010}	1.122 ^{+0.006} _{+0.000}	.022 ^{+0.015} _{+0.000}	19.09
SG-0.875	7/8	1-1/4	3/16	.187 ^{+0.004} _{+0.000}	.875 ^{+0.001} _{-0.002}	1.197 ^{+0.000} _{-0.010}	1.247 ^{+0.006} _{+0.000}	.022 ^{+0.015} _{+0.000}	19.88
SG-1.000	1	1-3/8	3/16	.187 ^{+0.004} _{+0.000}	1.000 ^{+0.001} _{-0.002}	1.322 ^{+0.000} _{-0.010}	1.372 ^{+0.006} _{+0.000}	.022 ^{+0.015} _{+0.000}	20.88
SG-1.125	1-1/8	1-1/2	3/16	.187 ^{+0.004} _{+0.000}	1.125 ^{+0.001} _{-0.002}	1.447 ^{+0.000} _{-0.010}	1.497 ^{+0.006} _{+0.000}	.022 ^{+0.015} _{+0.000}	23.46
SG-1.250	1-1/4	1-5/8	3/16	.187 ^{+0.004} _{+0.000}	1.250 ^{+0.001} _{-0.002}	1.572 ^{+0.000} _{-0.010}	1.622 ^{+0.006} _{+0.000}	.022 ^{+0.015} _{+0.000}	26.04
SG-1.375	1-3/8	1-3/4	3/16	.187 ^{+0.004} _{+0.000}	1.375 ^{+0.001} _{-0.002}	1.697 ^{+0.000} _{-0.010}	1.747 ^{+0.006} _{+0.000}	.022 ^{+0.015} _{+0.000}	28.61
SG-1.500	1-1/2	1-7/8	3/16	.187 ^{+0.004} _{+0.000}	1.500 ^{+0.001} _{-0.002}	1.822 ^{+0.000} _{-0.010}	1.872 ^{+0.006} _{+0.000}	.022 ^{+0.015} _{+0.000}	31.26
SG-1.750	1-3/4	2-1/8	3/16	.187 ^{+0.004} _{+0.000}	1.750 ^{+0.001} _{-0.002}	2.072 ^{+0.000} _{-0.010}	2.122 ^{+0.006} _{+0.000}	.022 ^{+0.015} _{+0.000}	36.39
SG-2.000	2	2-1/2	1/4	.249 ^{+0.004} _{+0.000}	2.000 ^{+0.001} _{-0.002}	2.430 ^{+0.000} _{-0.010}	2.497 ^{+0.006} _{+0.000}	.030 ^{+0.015} _{+0.000}	42.47
SG-2.250	2-1/4	2-3/4	1/4	.249 ^{+0.004} _{+0.000}	2.250 ^{+0.001} _{-0.002}	2.680 ^{+0.000} _{-0.010}	2.747 ^{+0.006} _{+0.000}	.030 ^{+0.015} _{+0.000}	47.58
SG-2.500	2-1/2	3	1/4	.249 ^{+0.004} _{+0.000}	2.500 ^{+0.001} _{-0.002}	2.930 ^{+0.000} _{-0.010}	2.997 ^{+0.006} _{+0.000}	.030 ^{+0.015} _{+0.000}	52.84
SG-3.000	3	3-1/2	1/4	.249 ^{+0.004} _{+0.000}	3.000 ^{+0.001} _{-0.002}	3.430 ^{+0.000} _{-0.010}	3.497 ^{+0.006} _{+0.000}	.030 ^{+0.015} _{+0.000}	63.93
SG-3.500	3-1/2	4	1/4	.249 ^{+0.004} _{+0.000}	3.500 ^{+0.001} _{-0.002}	3.930 ^{+0.000} _{-0.010}	3.997 ^{+0.006} _{+0.000}	.030 ^{+0.015} _{+0.000}	106.59

STYLE AN URETHANE WIPER RINGS

Suffix "SH" designates slotted heel design, "V" designates fluorocarbon material, and "B" designates carboxilated nitrile material.



SEAL INFORMATION	
MATERIAL	90A URETHANE
TEMPERATURE RANGE	-40° TO +200° F
SPEED	3 FT/SEC
PART NUMBER	(Prefix) - (Size)

Part Number	A Nom. ID	B Nom. OD	C Nom. Ht	C ₁ OVERALL HEIGHT	D GROOVE WIDTH	E ROD DIAMETER	F THROAT DIAMETER	G HOUSING DIAMETER	th THICKNESS	List Price
AN-01	1/2	3/4	7/64	.187	.107 ±.003	.500 ^{+.000} _{-.002}	.647 ^{+.005} _{+.000}	.760 ^{+.004} _{+.000}	.104	\$1.12
AN-01-SH	1/2	3/4	7/64	.187	.107 ±.003	.500 ^{+.000} _{-.002}	.647 ^{+.005} _{+.000}	.760 ^{+.004} _{+.000}	.104	1.12
AN-02	9/16	13/16	7/64	.187	.107 ±.003	.562 ^{+.000} _{-.002}	.710 ^{+.005} _{+.000}	.823 ^{+.004} _{+.000}	.104	1.12
AN-03	5/8	7/8	7/64	.187	.107 ±.003	.625 ^{+.000} _{-.002}	.772 ^{+.005} _{+.000}	.885 ^{+.004} _{+.000}	.104	1.12
AN-03-SH	5/8	7/8	7/64	.187	.107 ±.003	.625 ^{+.000} _{-.002}	.772 ^{+.005} _{+.000}	.885 ^{+.004} _{+.000}	.104	1.12
AN-04	11/16	15/16	7/64	.187	.107 ±.003	.687 ^{+.000} _{-.002}	.834 ^{+.005} _{+.000}	.948 ^{+.004} _{+.000}	.104	1.12
AN-05	3/4	1	7/64	.187	.107 ±.003	.750 ^{+.000} _{-.002}	.897 ^{+.005} _{+.000}	1.010 ^{+.004} _{+.000}	.104	1.12
AN-05-N	3/4	1	7/64	.187	.107 ±.003	.750 ^{+.000} _{-.002}	.897 ^{+.005} _{+.000}	1.010 ^{+.004} _{+.000}	.104	3.19
AN-05-SH	3/4	1	7/64	.187	.107 ±.003	.750 ^{+.000} _{-.002}	.897 ^{+.005} _{+.000}	1.010 ^{+.004} _{+.000}	.104	1.12
AN-05V	3/4	1	7/64	.187	.107 ±.003	.750 ^{+.000} _{-.002}	.897 ^{+.005} _{+.000}	1.010 ^{+.004} _{+.000}	.104	9.78
AN-06	13/16	1-1/16	7/64	.187	.107 ±.003	.812 ^{+.000} _{-.002}	.960 ^{+.005} _{+.000}	1.084 ^{+.004} _{+.000}	.104	1.20
AN-06-SH	13/16	1-1/16	7/64	.187	.107 ±.003	.812 ^{+.000} _{-.002}	.960 ^{+.005} _{+.000}	1.084 ^{+.004} _{+.000}	.104	1.20
AN-07	7/8	1-1/8	7/64	.187	.107 ±.003	.875 ^{+.000} _{-.002}	1.023 ^{+.005} _{+.000}	1.147 ^{+.004} _{+.000}	.104	1.20
AN-07-SH	7/8	1-1/8	7/64	.187	.107 ±.003	.875 ^{+.000} _{-.002}	1.023 ^{+.005} _{+.000}	1.147 ^{+.004} _{+.000}	.104	1.20
AN-07A	7/8	1-1/8	7/64	.140	.107 ±.003	.875 ^{+.000} _{-.002}	1.023 ^{+.005} _{+.000}	1.118 ^{+.004} _{+.000}	.104	1.50
AN-07A-T	7/8	1-1/8	7/64	.140	.107 ±.003	.875 ^{+.000} _{-.002}	1.023 ^{+.005} _{+.000}	1.118 ^{+.004} _{+.000}	.104	14.36
AN-08	15/16	1-3/16	7/64	.187	.107 ±.003	.937 ^{+.000} _{-.002}	1.085 ^{+.005} _{+.000}	1.209 ^{+.004} _{+.000}	.104	1.20
AN-09	1	1-1/4	7/64	.187	.107 ±.003	1.000 ^{+.000} _{-.002}	1.148 ^{+.005} _{+.000}	1.272 ^{+.004} _{+.000}	.104	1.20
AN-09-SH	1	1-1/4	7/64	.187	.107 ±.003	1.000 ^{+.000} _{-.002}	1.148 ^{+.005} _{+.000}	1.272 ^{+.004} _{+.000}	.104	1.20
AN-09B	1	1-1/4	7/64	.187	.107 ±.003	1.000 ^{+.000} _{-.002}	.148 ^{+.005} _{+.000}	1.272 ^{+.004} _{+.000}	.104	3.29
AN-09V	1	1-1/4	7/64	.187	.107 ±.003	1.000 ^{+.000} _{-.002}	1.148 ^{+.005} _{+.000}	1.272 ^{+.004} _{+.000}	.104	15.63

STYLE AN URETHANE WIPER RINGS



Part Number	A Nom. ID	B Nom. OD	C Nom. Ht	C ₁ OVERALL HEIGHT	D GROOVE WIDTH	E ROD DIAMETER	F THROAT DIAMETER	G HOUSING DIAMETER	th THICKNESS	List Price
AN-10	1-1/16	1-5/16	7/64	.187	.107 ±.003	1.062 ^{+0.00} _{-.002}	1.210 ^{+0.005} _{+0.000}	1.334 ^{+0.004} _{+0.000}	.104	1.20
AN-11	1-1/8	1-3/8	7/64	.187	.107 ±.003	1.125 ^{+0.00} _{-.002}	1.273 ^{+0.005} _{+0.000}	1.397 ^{+0.004} _{+0.000}	.104	1.25
AN-11-SH	1-1/8	1-3/8	7/64	.187	.107 ±.003	1.125 ^{+0.00} _{-.002}	1.273 ^{+0.005} _{+0.000}	1.397 ^{+0.004} _{+0.000}	.104	1.25
AN-12	1-3/16	1-7/16	7/64	.187	.107 ±.003	1.187 ^{+0.00} _{-.002}	1.335 ^{+0.005} _{+0.000}	1.459 ^{+0.004} _{+0.000}	.104	1.25
AN-13B	1-1/4	1-1/2	.104	.150	.107 ±.003	1.250 ^{+0.00} _{-.002}	1.398 ^{+0.005} _{+0.000}	1.522 ^{+0.004} _{+0.000}	.104	7.26
AN-13	1-1/4	1-1/2	7/64	.187	.107 ±.003	1.250 ^{+0.00} _{-.002}	1.398 ^{+0.005} _{+0.000}	1.522 ^{+0.004} _{+0.000}	.104	1.30
AN-13-SH	1-1/4	1-1/2	7/64	.187	.107 ±.003	1.250 ^{+0.00} _{-.002}	1.398 ^{+0.005} _{+0.000}	1.522 ^{+0.004} _{+0.000}	.104	1.30
AN-13V	1-1/4	1-1/2	7/64	.187	.107 ±.003	1.250 ^{+0.00} _{-.002}	1.398 ^{+0.005} _{+0.000}	1.522 ^{+0.004} _{+0.000}	.104	11.27
AN-14	1-5/16	1-5/8	7/64	.187	.107 ±.003	1.312 ^{+0.00} _{-.002}	1.480 ^{+0.005} _{+0.000}	1.614 ^{+0.004} _{+0.000}	.104	1.30
AN-15	1-3/8	1-11/16	7/64	.187	.107 ±.003	1.375 ^{+0.00} _{-.002}	1.542 ^{+0.005} _{+0.000}	1.677 ^{+0.004} _{+0.000}	.104	1.72
AN-15-SH	1-3/8	1-11/16	7/64	.187	.107 ±.003	1.375 ^{+0.00} _{-.002}	1.542 ^{+0.005} _{+0.000}	1.677 ^{+0.004} _{+0.000}	.104	1.72
AN-15V	1-3/8	1-11/16	7/64	.187	.107 ±.003	1.375 ^{+0.00} _{-.002}	1.542 ^{+0.005} _{+0.000}	1.677 ^{+0.004} _{+0.000}	.104	16.70
AN-16	1-7/16	1-3/4	7/64	.187	.107 ±.003	1.437 ^{+0.00} _{-.002}	1.605 ^{+0.005} _{+0.000}	1.739 ^{+0.004} _{+0.000}	.104	1.90
AN-17	1-1/2	1-13/16	7/64	.187	.107 ±.003	1.500 ^{+0.00} _{-.002}	1.668 ^{+0.005} _{+0.000}	1.802 ^{+0.004} _{+0.000}	.104	1.93
AN-17-SH	1-1/2	1-13/16	7/64	.187	.107 ±.003	1.500 ^{+0.00} _{-.002}	1.668 ^{+0.005} _{+0.000}	1.802 ^{+0.004} _{+0.000}	.104	1.93
AN-17A	1-1/2	1-3/4	7/64	.140	.107 ±.003	1.500 ^{+0.00} _{-.002}	1.668 ^{+0.005} _{+0.000}	1.738 ^{+0.005} _{+0.000}	.104	3.84
AN-17V	1-1/2	1-13/16	7/64	.187	.107 ±.003	1.500 ^{+0.00} _{-.002}	1.668 ^{+0.005} _{+0.000}	1.802 ^{+0.004} _{+0.000}	.104	13.78
AN-18	1-5/8	1-15/16	7/64	.187	.107 ±.003	1.625 ^{+0.00} _{-.002}	1.793 ^{+0.005} _{+0.000}	1.927 ^{+0.004} _{+0.000}	.104	2.02
AN-18-SH	1-5/8	1-15/16	7/64	.187	.107 ±.003	1.625 ^{+0.00} _{-.002}	1.793 ^{+0.005} _{+0.000}	1.927 ^{+0.004} _{+0.000}	.104	2.02
AN-19	1-3/4	2-1/16	7/64	.187	.107 ±.003	1.750 ^{+0.00} _{-.002}	1.918 ^{+0.005} _{+0.000}	2.052 ^{+0.004} _{+0.000}	.104	2.02
AN-19-SH	1-3/4	2-1/16	7/64	.187	.107 ±.003	1.750 ^{+0.00} _{-.002}	1.918 ^{+0.005} _{+0.000}	2.052 ^{+0.004} _{+0.000}	.104	2.02
AN-20	1-7/8	2-1/8	7/64	.187	.107 ±.003	1.875 ^{+0.00} _{-.002}	2.043 ^{+0.005} _{+0.000}	2.117 ^{+0.004} _{+0.000}	.104	2.06
AN-21	2	2-5/16	7/64	.187	.107 ±.003	2.000 ^{+0.00} _{-.002}	2.178 ^{+0.005} _{+0.000}	2.302 ^{+0.004} _{+0.000}	.104	2.06
AN-21-SH	2	2-5/16	7/64	.187	.107 ±.003	2.000 ^{+0.00} _{-.002}	2.178 ^{+0.005} _{+0.000}	2.302 ^{+0.004} _{+0.000}	.104	2.06
AN-21V	2	2-5/16	7/64	.187	.107 ±.003	2.000 ^{+0.00} _{-.002}	2.178 ^{+0.005} _{+0.000}	2.302 ^{+0.004} _{+0.000}	.104	17.35
AN-22	2-1/8	2-7/16	7/64	.187	.107 ±.003	2.125 ^{+0.00} _{-.003}	2.303 ^{+0.005} _{+0.000}	2.427 ^{+0.004} _{+0.000}	.104	2.11
AN-22-SH	2-1/8	2-7/16	7/64	.187	.107 ±.003	2.125 ^{+0.00} _{-.003}	2.303 ^{+0.005} _{+0.000}	2.427 ^{+0.004} _{+0.000}	.104	2.11
AN-23	2-1/4	2-9/16	7/64	.187	.107 ±.003	2.250 ^{+0.00} _{-.003}	2.428 ^{+0.005} _{+0.000}	2.552 ^{+0.004} _{+0.000}	.104	2.19
AN-23-SH	2-1/4	2-9/16	7/64	.187	.107 ±.003	2.250 ^{+0.00} _{-.003}	2.428 ^{+0.005} _{+0.000}	2.552 ^{+0.004} _{+0.000}	.104	2.19
AN-23B	2-1/4	2-9/16	7/64	.187	.107 ±.003	2.250 ^{+0.0000} _{-.0029}	2.428 ^{+0.005} _{+0.000}	2.552 ^{+0.004} _{+0.000}	.104	12.05

STYLE AN URETHANE WIPER RINGS

Part Number	A Nom. ID	B Nom. OD	C Nom. Ht	C ₁ OVERALL HEIGHT	D GROOVE WIDTH	E ROD DIAMETER	F THROAT DIAMETER	G HOUSING DIAMETER	th THICKNESS	List Price
AN-24	2-3/8	2-11/16	7/64	.187	.107 ±.003	2.375 ^{+0.00} _{-.003}	2.553 ^{+0.005} _{+.000}	2.677 ^{+0.004} _{+.000}	.104	2.26
AN-25	2-1/2	2-13/16	7/64	.187	.107 ±.003	2.500 ^{+0.00} _{-.003}	2.678 ^{+0.005} _{+.000}	2.802 ^{+0.004} _{+.000}	.104	2.47
AN-25-SH	2-1/2	2-13/16	7/64	.187	.107 ±.003	2.500 ^{+0.00} _{-.003}	2.678 ^{+0.005} _{+.000}	2.802 ^{+0.004} _{+.000}	.104	1.98
AN-25V	2-1/2	2-13/16	7/64	.187	.107 ±.003	2.500 ^{+0.00} _{-.003}	2.678 ^{+0.005} _{+.000}	2.802 ^{+0.004} _{+.000}	.104	15.65
AN-26	2-5/8	3	1/8	.211	.122 ±.003	2.625 ^{+0.00} _{-.003}	2.834 ^{+0.005} _{+.000}	2.989 ^{+0.004} _{+.000}	.119	2.54
AN-26-SH	2-5/8	3	1/8	.211	.122 ±.003	2.625 ^{+0.00} _{-.003}	2.834 ^{+0.005} _{+.000}	2.989 ^{+0.004} _{+.000}	.119	2.54
AN-27	2-3/4	3-1/8	1/8	.211	.122 ±.003	2.750 ^{+0.00} _{-.003}	2.959 ^{+0.005} _{+.000}	3.114 ^{+0.004} _{+.000}	.119	2.61
AN-27-SH	2-3/4	3-1/8	1/8	.211	.122 ±.003	2.750 ^{+0.00} _{-.003}	2.959 ^{+0.005} _{+.000}	3.114 ^{+0.004} _{+.000}	.119	2.61
AN-28	2-7/8	3-1/4	1/8	.211	.122 ±.003	2.875 ^{+0.00} _{-.003}	3.084 ^{+0.005} _{+.000}	3.239 ^{+0.004} _{+.000}	.119	3.04
AN-28-SH	2-7/8	3-1/4	1/8	.211	.122 ±.003	2.875 ^{+0.00} _{-.003}	3.084 ^{+0.005} _{+.000}	3.239 ^{+0.004} _{+.000}	.119	3.04
AN-29	3	3-3/8	1/8	.211	.122 ±.003	3.000 ^{+0.00} _{-.003}	3.209 ^{+0.005} _{+.000}	3.364 ^{+0.004} _{+.000}	.119	3.04
AN-29-SH	3	3-3/8	1/8	.211	.122 ±.003	3.000 ^{+0.00} _{-.003}	3.209 ^{+0.005} _{+.000}	3.364 ^{+0.004} _{+.000}	.119	3.04
AN-30	3-1/8	3-1/2	1/8	.211	.122 ±.003	3.125 ^{+0.00} _{-.003}	3.334 ^{+0.005} _{+.000}	3.489 ^{+0.004} _{+.000}	.119	3.04
AN-31	3-1/4	3-5/8	1/8	.211	.122 ±.003	3.250 ^{+0.00} _{-.003}	3.459 ^{+0.005} _{+.000}	3.614 ^{+0.004} _{+.000}	.119	3.58
AN-31-SH	3-1/4	3-5/8	1/8	.211	.122 ±.003	3.250 ^{+0.00} _{-.003}	3.459 ^{+0.005} _{+.000}	3.614 ^{+0.004} _{+.000}	.119	4.00
AN-32	3-3/8	3-3/4	1/8	.211	.122 ±.003	3.375 ^{+0.00} _{-.003}	3.584 ^{+0.005} _{+.000}	3.739 ^{+0.004} _{+.000}	.119	3.62
AN-33	3-1/2	3-7/8	1/8	.211	.122 ±.003	3.500 ^{+0.00} _{-.003}	3.709 ^{+0.005} _{+.000}	3.864 ^{+0.004} _{+.000}	.119	3.67
AN-33-SH	3-1/2	3-7/8	1/8	.211	.122 ±.003	3.500 ^{+0.00} _{-.003}	3.709 ^{+0.005} _{+.000}	3.864 ^{+0.004} _{+.000}	.119	3.67
AN-34	3-5/8	4	1/8	.211	.122 ±.003	3.625 ^{+0.00} _{-.003}	3.834 ^{+0.005} _{+.000}	3.989 ^{+0.004} _{+.000}	.119	3.73
AN-35	3-3/4	4-1/8	1/8	.211	.122 ±.003	3.750 ^{+0.00} _{-.003}	3.959 ^{+0.005} _{+.000}	4.114 ^{+0.004} _{+.000}	.119	3.88
AN-35-SH	3-3/4	4-1/8	1/8	.211	.122 ±.003	3.750 ^{+0.00} _{-.003}	3.959 ^{+0.005} _{+.000}	4.114 ^{+0.004} _{+.000}	.119	3.88
AN-36	3-7/8	4-1/4	1/8	.211	.122 ±.003	3.875 ^{+0.00} _{-.003}	4.084 ^{+0.005} _{+.000}	4.239 ^{+0.004} _{+.000}	.119	3.97
AN-37	4	4-7/16	9/64	.238	.138 ±.003	4.000 ^{+0.00} _{-.003}	4.240 ^{+0.005} _{+.000}	4.427 ^{+0.004} _{+.000}	.135	4.09
AN-37-SH	4	4-7/16	9/64	.238	.138 ±.003	4.000 ^{+0.00} _{-.003}	4.240 ^{+0.005} _{+.000}	4.427 ^{+0.004} _{+.000}	.135	4.09
AN-37V	4	4-7/16	9/64	.238	.138 ±.003	4.000 ^{+0.00} _{-.003}	4.240 ^{+0.005} _{+.000}	4.427 ^{+0.004} _{+.000}	.135	27.69
AN-38	4-1/8	4-9/16	9/64	.238	.138 ±.003	4.125 ^{+0.00} _{-.003}	4.365 ^{+0.005} _{+.000}	4.552 ^{+0.004} _{+.000}	.135	4.20
AN-39	4-1/4	4-11/16	9/64	.238	.138 ±.003	4.250 ^{+0.00} _{-.003}	4.490 ^{+0.005} _{+.000}	4.677 ^{+0.004} _{+.000}	.135	4.31
AN-40	4-3/8	4-3/8	9/64	.238	.138 ±.003	4.375 ^{+0.00} _{-.003}	4.615 ^{+0.005} _{+.000}	4.372 ^{+0.004} _{+.000}	.135	4.38
AN-41	4-1/2	4-15/16	9/64	.238	.138 ±.003	4.500 ^{+0.00} _{-.003}	4.740 ^{+0.005} _{+.000}	4.927 ^{+0.004} _{+.000}	.135	4.43
AN-41-SH	4-1/2	4-15/16	9/64	.238	.138 ±.003	4.500 ^{+0.00} _{-.003}	4.740 ^{+0.005} _{+.000}	4.927 ^{+0.004} _{+.000}	.135	6.19

STYLE AN URETHANE WIPER RINGS

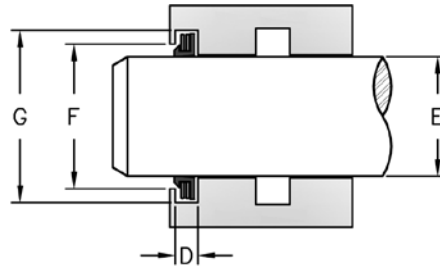
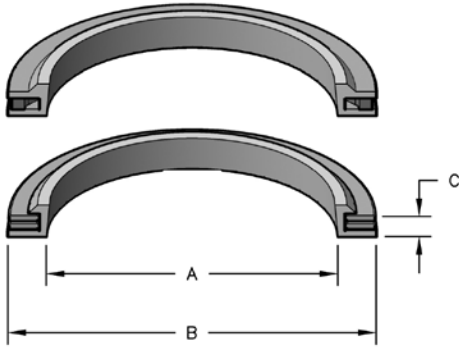


Part Number	A Nom. ID	B Nom. OD	C Nom. Ht	C ₁ OVERALL HEIGHT	D GROOVE WIDTH	E ROD DIAMETER	F THROAT DIAMETER	G HOUSING DIAMETER	th THICKNESS	List Price
AN-42	4-5/8	5-1/16	9/64	.238	.138 ±.003	4.625 ^{+.000} _{-.003}	4.865 ^{+.005} _{+.000}	5.052 ^{+.004} _{+.000}	.135	4.47
AN-43	4-3/4	5-3/16	9/64	.238	.138 ±.003	4.750 ^{+.000} _{-.003}	4.990 ^{+.005} _{+.000}	5.177 ^{+.004} _{+.000}	.135	4.60
AN-44	4-7/8	5-5/16	9/64	.238	.138 ±.003	4.875 ^{+.000} _{-.003}	5.115 ^{+.005} _{+.000}	5.302 ^{+.004} _{+.000}	.135	4.70
AN-45	5	5-7/16	9/64	.238	.138 ±.003	5.000 ^{+.000} _{-.003}	5.240 ^{+.005} _{+.000}	5.427 ^{+.004} _{+.000}	.135	5.43
AN-45-SH	5	5-7/16	9/64	.238	.138 ±.003	5.000 ^{+.000} _{-.003}	5.240 ^{+.005} _{+.000}	5.427 ^{+.004} _{+.000}	.135	5.43
AN-46	5-1/8	5-9/16	9/64	.238	.138 ±.003	5.125 ^{+.000} _{-.003}	5.365 ^{+.005} _{+.000}	5.552 ^{+.004} _{+.000}	.135	5.51
AN-47	5-1/4	5-11/16	9/64	.238	.138 ±.003	5.250 ^{+.000} _{-.003}	5.490 ^{+.005} _{+.000}	5.677 ^{+.004} _{+.000}	.135	5.51
AN-48	5-3/8	5-13/16	9/64	.238	.138 ±.003	5.375 ^{+.000} _{-.003}	5.615 ^{+.005} _{+.000}	5.802 ^{+.004} _{+.000}	.135	5.58
AN-49	5-1/2	5-15/16	9/64	.238	.138 ±.003	5.500 ^{+.000} _{-.003}	5.740 ^{+.005} _{+.000}	5.927 ^{+.004} _{+.000}	.135	5.69
AN-50	5-5/8	6-1/8	5/32	.264	.154 ±.003	5.625 ^{+.000} _{-.003}	5.896 ^{+.005} _{+.000}	6.114 ^{+.004} _{+.000}	.151	6.23
AN-51	5-3/4	6-1/4	5/32	.264	.154 ±.003	5.750 ^{+.000} _{-.003}	6.022 ^{+.005} _{+.000}	6.239 ^{+.004} _{+.000}	.151	6.60
AN-52	5-7/8	6-3/8	5/32	.264	.154 ±.003	5.875 ^{+.000} _{-.003}	6.146 ^{+.005} _{+.000}	6.364 ^{+.004} _{+.000}	.151	6.71
AN-53	6	6-1/2	5/32	.264	.154 ±.003	6.000 ^{+.000} _{-.003}	6.272 ^{+.005} _{+.000}	6.489 ^{+.004} _{+.000}	.151	6.91
AN-54	6-1/4	6-3/4	5/32	.264	.154 ±.003	6.250 ^{+.000} _{-.003}	6.522 ^{+.005} _{+.000}	6.739 ^{+.004} _{+.000}	.151	7.15
AN-55	6-1/2	7	5/32	.264	.154 ±.003	6.500 ^{+.000} _{-.004}	6.772 ^{+.005} _{+.000}	6.989 ^{+.005} _{+.000}	.151	7.30
AN-56	6-3/4	7-1/4	5/32	.264	.154 ±.003	6.750 ^{+.000} _{-.004}	7.022 ^{+.005} _{+.000}	7.239 ^{+.005} _{+.000}	.151	7.43
AN-57	7	7-1/2	5/32	.264	.154 ±.003	7.000 ^{+.000} _{-.004}	7.272 ^{+.005} _{+.000}	7.489 ^{+.005} _{+.000}	.151	7.64
AN-58	7-1/4	7-3/4	5/32	.264	.154 ±.003	7.250 ^{+.000} _{-.004}	7.522 ^{+.005} _{+.000}	7.739 ^{+.005} _{+.000}	.151	8.71
AN-59	7-1/2	8	5/32	.264	.154 ±.003	7.500 ^{+.000} _{-.004}	7.772 ^{+.005} _{+.000}	7.989 ^{+.005} _{+.000}	.151	10.54
AN-60	7-3/4	8-1/4	5/32	.264	.154 ±.003	7.750 ^{+.000} _{-.004}	8.022 ^{+.005} _{+.000}	8.239 ^{+.005} _{+.000}	.151	11.18
AN-61	8	8-1/2	5/32	.264	.154 ±.003	8.000 ^{+.000} _{-.004}	8.272 ^{+.005} _{+.000}	8.489 ^{+.005} _{+.000}	.151	10.58
AN-62	8-1/2	9	5/32	.264	.154 ±.003	8.500 ^{+.000} _{-.004}	8.772 ^{+.005} _{+.000}	8.989 ^{+.005} _{+.000}	.151	10.58
AN-63	9	9-1/2	5/32	.264	.154 ±.003	9.000 ^{+.000} _{-.005}	9.272 ^{+.010} _{+.000}	9.489 ^{+.005} _{+.000}	.151	12.61
AN-E9-1/4	9-1/4	9-3/4	5/32	.264	.154 ±.003	9.250 ^{+.000} _{-.002}	9.522 ^{+.005} _{+.000}	9.739 ^{+.004} _{+.000}	.151	24.76
AN-64	9-1/2	10	5/32	.264	.154 ±.003	9.500 ^{+.000} _{-.005}	9.772 ^{+.010} _{+.000}	9.989 ^{+.005} _{+.000}	.151	12.79
AN-65	10	10-1/2	5/32	.264	.154 ±.003	10.000 ^{+.000} _{-.005}	10.272 ^{+.010} _{+.000}	10.489 ^{+.005} _{+.000}	.151	13.07
AN-66	10-1/2	11	5/32	.264	.154 ±.003	10.500 ^{+.000} _{-.005}	10.772 ^{+.010} _{+.000}	10.989 ^{+.005} _{+.000}	.151	14.81
AN-67	11	11-1/2	5/32	.264	.154 ±.003	11.000 ^{+.000} _{-.005}	11.272 ^{+.010} _{+.000}	11.489 ^{+.005} _{+.000}	.151	16.78
AN-69	12	12-1/2	11/64	.289	.169 ±.003	12.000 ^{+.000} _{-.005}	12.272 ^{+.010} _{+.000}	12.489 ^{+.005} _{+.000}	.166	76.60

Seal color may vary. Special order sizes are available.

STYLE AN-M2 BRASS WIPER RINGS

Style AN-M2 scrapers conform to MS28776-M2 sizes and are manufactured in brass. The scrapers are suitable for extreme environments with aggressive contaminants. The unique spring-loaded construction and ductile material result in close rod contact even when coping with rod ovality and helix grinding patterns.



SEAL INFORMATION

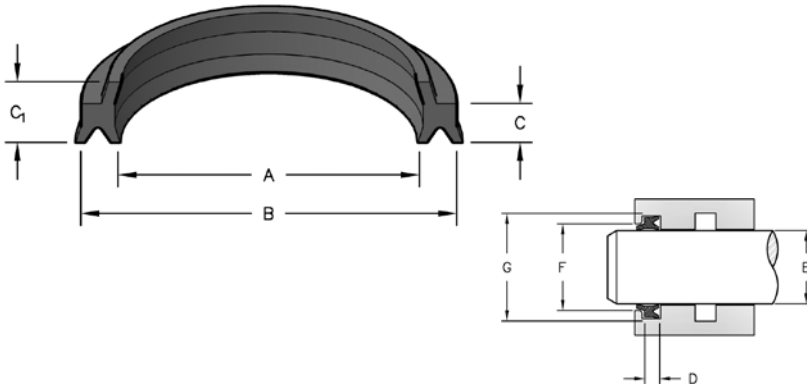
MATERIAL	BRASS
TEMPERATURE RANGE	-30° TO +300° F
PART NUMBER	(Prefix) - (Size)

Part Number	A Nom. ID	B Nom. OD	C Nom. Ht	D GROOVE WIDTH	E ROD DIAMETER	F THROAT DIAMETER	G HOUSING DIAMETER	List Price
AN-03-M2	5/8	7/8	7/64	.104	.625	.772	.885	\$16.61
AN-05-M2	3/4	1	7/64	.104	.750	.897	1.010	16.68
AN-09-M2	1	1-7/32	7/64	.104	1.000	1.136	1.272	18.26
AN-13-M2	1-1/4	1-15/32	7/64	.104	1.250	1.386	1.522	20.40
AN-15-M2	1-3/8	1-21/32	7/64	.104	1.375	1.542	1.677	23.74
AN-17-M2	1-1/2	1-25/32	7/64	.104	1.500	1.668	1.802	24.24
AN-19-M2	1-3/4	2-1/32	7/64	.104	1.750	1.918	2.052	24.51
AN-21-M2	2	2-9/32	7/64	.104	2.000	2.178	2.302	27.66
AN-23-M2	2-1/4	2-17/32	7/64	.104	2.250	2.428	2.552	28.16
AN-25-M2	2-1/2	2-25/32	7/64	.104	2.500	2.678	2.802	34.18
AN-27-M2	2-3/4	3-3/32	1/8	.119	2.750	2.959	3.114	38.15
AN-29-M2	3	3-11/32	1/8	.119	3.000	3.209	3.364	41.69
AN-33-M2	3-1/2	3-27/32	1/8	.119	3.500	3.709	3.864	47.83
AN-37-M2	4	4-13/32	9/64	.135	4.000	4.240	4.427	62.10
AN-41-M2	4-1/2	4-29/32	9/64	.135	4.500	4.740	4.927	64.68
AN-45-M2	5	5-13/32	9/64	.135	5.000	5.240	5.427	72.95

STYLE HW URETHANE WIPER RINGS



Suffix "V" designates fluorocarbon material, "N" designates nitrile material, and "HT" designates high temperature urethane.



SEAL INFORMATION	
MATERIAL	90A URETHANE
TEMPERATURE RANGE	-40° TO +200° F N: -40° TO +225° F V: -20° TO +350° F HT: -40° TO +225° F
SPEED	3 FT/SEC
PART NUMBER	(Prefix) - (Size)

Part Number	A Nom. ID	B Nom. OD	C Nom. Ht	C ₁ OVERALL HEIGHT	D GROOVE WIDTH	E ROD DIAMETER	F THROAT DIAMETER	G HOUSING DIAMETER	th THICKNESS	List Price
HW-0500	1/2	13/16	.194	.245	.203 ^{+0.05} / _{+0.00}	.500 ^{+0.00} / _{-0.02}	.620 ^{+0.02} / _{+0.00}	.802 ^{+0.02} / _{+0.00}	.194	\$2.93
HW-0500N	1/2	13/16	.194	.245	.203 ^{+0.05} / _{+0.00}	.500 ^{+0.00} / _{-0.02}	.620 ^{+0.02} / _{+0.00}	.802 ^{+0.02} / _{+0.00}	.194	2.72
HW-0500V	1/2	13/16	.194	.245	.203 ^{+0.05} / _{+0.00}	.500 ^{+0.00} / _{-0.02}	.620 ^{+0.02} / _{+0.00}	.802 ^{+0.02} / _{+0.00}	.194	10.05
HW-0625N	5/8	15/16	.189	.245	.198 ^{+0.05} / _{+0.00}	.625 ^{+0.00} / _{-0.02}	.745 ^{+0.02} / _{+0.00}	.927 ^{+0.02} / _{+0.00}	.189	3.25
HW-0625	5/8	15/16	.194	.245	.203 ^{+0.05} / _{+0.00}	.625 ^{+0.00} / _{-0.02}	.745 ^{+0.02} / _{+0.00}	.927 ^{+0.02} / _{+0.00}	.194	3.25
HW-0625-1	5/8	1	.194	.245	.203 ^{+0.05} / _{+0.00}	.625 ^{+0.00} / _{-0.02}		.990 ^{+0.02} / _{+0.00}	.194	13.40
HW-0625-1N	5/8	1	.194	.245	.203 ^{+0.05} / _{+0.00}	.625 ^{+0.00} / _{-0.02}		.990 ^{+0.02} / _{+0.00}	.194	3.25
HW-0625-2N	5/8	15/16	.194	.311	.203 ^{+0.05} / _{+0.00}	.625 ^{+0.00} / _{-0.02}		.927 ^{+0.02} / _{+0.00}	.194	3.25
HW-0625V	5/8	15/16	.194	.245	.203 ^{+0.05} / _{+0.00}	.625 ^{+0.00} / _{-0.02}	.745 ^{+0.02} / _{+0.00}	.927 ^{+0.02} / _{+0.00}	.194	11.10
HW-0750	3/4	1-1/16	.194	.245	.203 ^{+0.05} / _{+0.00}	.750 ^{+0.00} / _{-0.02}	.870 ^{+0.02} / _{+0.00}	1.052 ^{+0.02} / _{+0.00}	.194	3.25
HW-0750N	3/4	1-1/16	.194	.245	.203 ^{+0.05} / _{+0.00}	.750 ^{+0.00} / _{-0.02}	.870 ^{+0.02} / _{+0.00}	1.052 ^{+0.02} / _{+0.00}	.194	3.25
HW-0750V	3/4	1-1/16	.194	.245	.203 ^{+0.05} / _{+0.00}	.750 ^{+0.00} / _{-0.02}	.870 ^{+0.02} / _{+0.00}	1.052 ^{+0.02} / _{+0.00}	.194	9.75
HW-0875	7/8	1-1/4	.212	.275	.218 ^{+0.05} / _{+0.00}	.875 ^{+0.00} / _{-0.02}	1.010 ^{+0.02} / _{+0.00}	1.240 ^{+0.02} / _{+0.00}	.212	3.33
HW-0875N	7/8	1-1/4	.212	.275	.218 ^{+0.05} / _{+0.00}	.875 ^{+0.00} / _{-0.02}	1.010 ^{+0.02} / _{+0.00}	1.240 ^{+0.02} / _{+0.00}	.212	3.33
HW-0937	15/16	1-5/16	.212	.275	.218 ^{+0.05} / _{+0.00}	.937 ^{+0.00} / _{-0.02}	1.072 ^{+0.02} / _{+0.00}	1.302 ^{+0.02} / _{+0.00}	.212	7.06
HW-1000	1	1-3/8	.212	.275	.218 ^{+0.05} / _{+0.00}	1.000 ^{+0.00} / _{-0.02}	1.135 ^{+0.02} / _{+0.00}	1.365 ^{+0.02} / _{+0.00}	.212	3.38
HW-1000N	1	1-3/8	.212	.275	.218 ^{+0.05} / _{+0.00}	1.000 ^{+0.00} / _{-0.02}	1.135 ^{+0.02} / _{+0.00}	1.365 ^{+0.02} / _{+0.00}	.212	3.38
HW-1000U	1	1-3/8	.212	.275	.218 ^{+0.05} / _{+0.00}	1.000 ^{+0.00} / _{-0.02}	1.135 ^{+0.02} / _{+0.00}	1.365 ^{+0.02} / _{+0.00}	.212	2.80
HW-1000V	1	1-3/8	.212	.275	.218 ^{+0.05} / _{+0.00}	1.000 ^{+0.00} / _{-0.02}	1.135 ^{+0.02} / _{+0.00}	1.365 ^{+0.02} / _{+0.00}	.212	11.94
HW-1125	1-1/8	1-1/2	.212	.275	.218 ^{+0.05} / _{+0.00}	1.125 ^{+0.00} / _{-0.02}	1.260 ^{+0.02} / _{+0.00}	1.490 ^{+0.02} / _{+0.00}	.212	3.54
HW-1250	1-1/4	1-5/8	.212	.275	.218 ^{+0.05} / _{+0.00}	1.250 ^{+0.00} / _{-0.02}	1.385 ^{+0.02} / _{+0.00}	1.615 ^{+0.02} / _{+0.00}	.212	3.79
HW-1250N	1-1/4	1-5/8	.212	.275	.218 ^{+0.05} / _{+0.00}	1.250 ^{+0.00} / _{-0.02}	1.385 ^{+0.02} / _{+0.00}	1.615 ^{+0.02} / _{+0.00}	.212	3.79



STYLE HW URETHANE WIPER RINGS

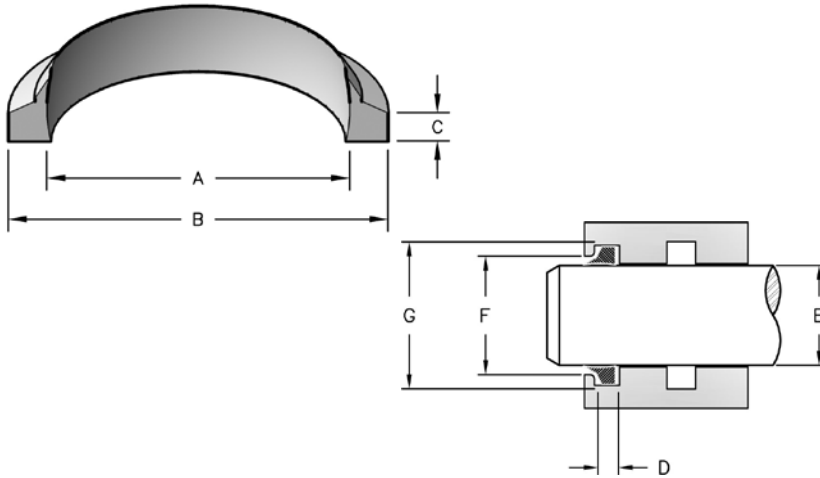
Part Number	A Nom. ID	B Nom. OD	C Nom. Ht	C ₁ OVERALL HEIGHT	D GROOVE WIDTH	E ROD DIAMETER	F THROAT DIAMETER	G HOUSING DIAMETER	th THICKNESS	List Price
HW-1375	1-3/8	1-3/4	.212	.275	.218 ^{+0.005} / _{+0.000}	1.375 ^{+0.000} / _{-0.002}	1.510 ^{+0.002} / _{+0.000}	1.740 ^{+0.002} / _{+0.000}	.212	4.09
HW-1375HT	1-3/8	1-3/4	.212	.275	.218 ^{+0.005} / _{+0.000}	1.375 ^{+0.000} / _{-0.002}	1.510 ^{+0.002} / _{+0.000}	1.740 ^{+0.002} / _{+0.000}	.212	7.30
HW-1375N	1-3/8	1-3/4	.212	.275	.218 ^{+0.005} / _{+0.000}	1.375 ^{+0.000} / _{-0.002}	1.510 ^{+0.002} / _{+0.000}	1.740 ^{+0.002} / _{+0.000}	.212	3.85
HW-1375V	1-3/8	1-3/4	.212	.275	.218 ^{+0.005} / _{+0.000}	1.375 ^{+0.000} / _{-0.002}	1.510 ^{+0.002} / _{+0.000}	1.740 ^{+0.002} / _{+0.000}	.212	21.81
HW-1500	1-1/2	1-7/8	.212	.275	.218 ^{+0.005} / _{+0.000}	1.500 ^{+0.000} / _{-0.002}	1.635 ^{+0.002} / _{+0.000}	1.865 ^{+0.002} / _{+0.000}	.212	4.34
HW-1500N	1-1/2	1-7/8	.212	.275	.218 ^{+0.005} / _{+0.000}	1.500 ^{+0.000} / _{-0.002}	1.635 ^{+0.002} / _{+0.000}	1.865 ^{+0.002} / _{+0.000}	.212	4.34
HW-1625	1-5/8	2	.212	.275	.218 ^{+0.005} / _{+0.000}	1.625 ^{+0.000} / _{-0.002}	1.760 ^{+0.002} / _{+0.000}	1.990 ^{+0.002} / _{+0.000}	.212	4.44
HW-1751	1-3/4	2-1/8	.168	.285	.174 ^{+0.005} / _{+0.000}	1.750 ^{+0.000} / _{-0.002}		2.115 ^{+0.002} / _{+0.000}	.168	9.51
HW-1750	1-3/4	2-1/8	.212	.275	.218 ^{+0.005} / _{+0.000}	1.750 ^{+0.000} / _{-0.002}	1.885 ^{+0.002} / _{+0.000}	2.115 ^{+0.002} / _{+0.000}	.212	4.63
HW-1750N	1-3/4	2-1/8	.212	.275	.218 ^{+0.005} / _{+0.000}	1.750 ^{+0.000} / _{-0.002}	1.885 ^{+0.002} / _{+0.000}	2.115 ^{+0.002} / _{+0.000}	.212	4.63
HW-1750V	1-3/4	2-1/8	.212	.275	.218 ^{+0.005} / _{+0.000}	1.750 ^{+0.000} / _{-0.002}	1.885 ^{+0.002} / _{+0.000}	2.115 ^{+0.002} / _{+0.000}	.212	32.62
HW-1875	1-7/8	2-1/4	.212	.275	.218 ^{+0.005} / _{+0.000}	1.875 ^{+0.000} / _{-0.002}	2.010 ^{+0.002} / _{+0.000}	2.240 ^{+0.002} / _{+0.000}	.212	5.06
HW-1875N	1-7/8	2-1/4	.212	.275	.218 ^{+0.005} / _{+0.000}	1.875 ^{+0.000} / _{-0.002}	2.010 ^{+0.002} / _{+0.000}	2.240 ^{+0.002} / _{+0.000}	.212	16.11
HW-2000	2	2-3/8	.212	.275	.218 ^{+0.005} / _{+0.000}	2.000 ^{+0.000} / _{-0.002}	2.135 ^{+0.002} / _{+0.000}	2.365 ^{+0.002} / _{+0.000}	.212	5.27
HW-2000N	2	2-3/8	.212	.275	.218 ^{+0.005} / _{+0.000}	2.000 ^{+0.000} / _{-0.002}	2.135 ^{+0.002} / _{+0.000}	2.365 ^{+0.002} / _{+0.000}	.212	5.27
HW-2000V	2	2-3/8	.212	.275	.218 ^{+0.005} / _{+0.000}	2.000 ^{+0.000} / _{-0.002}	2.135 ^{+0.002} / _{+0.000}	2.365 ^{+0.002} / _{+0.000}	.212	16.86
HW-2125	2-1/8	2-1/2	.212	.275	.218 ^{+0.005} / _{+0.000}	2.125 ^{+0.000} / _{-0.003}	2.260 ^{+0.003} / _{+0.000}	2.490 ^{+0.003} / _{+0.000}	.212	5.46
HW-2250	2-1/4	2-3/4	.275	.351	.281 ^{+0.005} / _{+0.000}	2.250 ^{+0.000} / _{-0.003}	2.385 ^{+0.003} / _{+0.000}	2.745 ^{+0.003} / _{+0.000}	.275	5.55
HW-2375N	2-3/8	2-7/8	.275	.351	.281 ^{+0.005} / _{+0.000}	2.375 ^{+0.000} / _{-0.003}	2.510 ^{+0.003} / _{+0.000}	2.870 ^{+0.003} / _{+0.000}	.275	4.95
HW-2500	2-1/2	3	.275	.351	.281 ^{+0.005} / _{+0.000}	2.500 ^{+0.000} / _{-0.003}	2.635 ^{+0.003} / _{+0.000}	2.995 ^{+0.003} / _{+0.000}	.275	5.84
HW-2500N	2-1/2	3	.275	.351	.281 ^{+0.005} / _{+0.000}	2.500 ^{+0.000} / _{-0.003}	2.635 ^{+0.003} / _{+0.000}	2.995 ^{+0.003} / _{+0.000}	.275	4.62
HW-2500V	2-1/2	3	.275	.351	.281 ^{+0.005} / _{+0.000}	2.500 ^{+0.000} / _{-0.003}	2.635 ^{+0.003} / _{+0.000}	2.995 ^{+0.003} / _{+0.000}	.275	18.68
HW-2625	2-5/8	3-1/8	.275	.351	.281 ^{+0.005} / _{+0.000}	2.625 ^{+0.000} / _{-0.003}	2.760 ^{+0.003} / _{+0.000}	3.120 ^{+0.003} / _{+0.000}	.275	6.20
HW-2750	2-3/4	3-1/4	.275	.351	.281 ^{+0.005} / _{+0.000}	2.750 ^{+0.000} / _{-0.003}	2.885 ^{+0.003} / _{+0.000}	3.245 ^{+0.003} / _{+0.000}	.275	6.67
HW-3000	3	3-1/2	.275	.351	.281 ^{+0.005} / _{+0.000}	3.000 ^{+0.000} / _{-0.003}	3.135 ^{+0.003} / _{+0.000}	3.495 ^{+0.003} / _{+0.000}	.275	7.47
HW-3000N	3	3-1/2	.275	.351	.281 ^{+0.005} / _{+0.000}	3.000 ^{+0.000} / _{-0.003}	3.135 ^{+0.003} / _{+0.000}	3.495 ^{+0.003} / _{+0.000}	.275	7.47
HW-3000V	3	3-1/2	.275	.351	.281 ^{+0.005} / _{+0.000}	3.000 ^{+0.000} / _{-0.003}	3.135 ^{+0.003} / _{+0.000}	3.495 ^{+0.003} / _{+0.000}	.275	23.70
HW-3250	3-1/4	3-3/4	.275	.351	.281 ^{+0.005} / _{+0.000}	3.250 ^{+0.000} / _{-0.003}	3.385 ^{+0.003} / _{+0.000}	3.745 ^{+0.003} / _{+0.000}	.275	8.46
HW-3500	3-1/2	4	.275	.351	.281 ^{+0.005} / _{+0.000}	3.500 ^{+0.000} / _{-0.003}	3.635 ^{+0.003} / _{+0.000}	3.995 ^{+0.003} / _{+0.000}	.275	8.87
HW-3500N	3-1/2	4	.275	.351	.281 ^{+0.005} / _{+0.000}	3.500 ^{+0.000} / _{-0.003}	3.635 ^{+0.003} / _{+0.000}	3.995 ^{+0.003} / _{+0.000}	.275	8.95

STYLE HW URETHANE WIPER RINGS



Part Number	A Nom. ID	B Nom. OD	C Nom. Ht	C ₁ OVERALL HEIGHT	D GROOVE WIDTH	E ROD DIAMETER	F THROAT DIAMETER	G HOUSING DIAMETER	th THICKNESS	List Price
HW-3500V	3-1/2	4	.275	.351	.281 ^{+0.005} / _{+0.000}	3.500 ^{+0.000} / _{-.003}	3.635 ^{+0.003} / _{+0.000}	3.995 ^{+0.003} / _{+0.000}	.275	29.89
HW-3750	3-3/4	4-1/4	.275	.351	.281 ^{+0.005} / _{+0.000}	3.750 ^{+0.000} / _{-.003}	3.885 ^{+0.003} / _{+0.000}	4.245 ^{+0.003} / _{+0.000}	.275	18.17
HW-4000	4	4-1/2	.275	.351	.281 ^{+0.005} / _{+0.000}	4.000 ^{+0.000} / _{-.003}	4.135 ^{+0.003} / _{+0.000}	4.495 ^{+0.003} / _{+0.000}	.275	9.80
HW-4000N	4	4-1/2	.275	.351	.281 ^{+0.005} / _{+0.000}	4.000 ^{+0.000} / _{-.003}	4.135 ^{+0.003} / _{+0.000}	4.495 ^{+0.003} / _{+0.000}	.275	9.83
HW-4000V	4	4-1/2	.275	.351	.281 ^{+0.005} / _{+0.000}	4.000 ^{+0.000} / _{-.003}	4.135 ^{+0.003} / _{+0.000}	4.495 ^{+0.003} / _{+0.000}	.275	33.02
HW-4250	4-1/4	4-3/4	.275	.351	.281 ^{+0.005} / _{+0.000}	4.250 ^{+0.000} / _{-.003}	4.385 ^{+0.003} / _{+0.000}	4.745 ^{+0.003} / _{+0.000}	.275	15.17
HW-4430	4-7/16	4-15/16	.275	.351	.281 ^{+0.005} / _{+0.000}	4.437 ^{+0.000} / _{-.003}		4.932 ^{+0.003} / _{+0.000}	.275	20.80
HW-4500	4-1/2	5	.275	.351	.281 ^{+0.005} / _{+0.000}	4.500 ^{+0.000} / _{-.003}	4.635 ^{+0.003} / _{+0.000}	4.995 ^{+0.003} / _{+0.000}	.275	10.90
HW-4500N	4-1/2	5	.275	.351	.281 ^{+0.005} / _{+0.000}	4.500 ^{+0.000} / _{-.003}	4.635 ^{+0.003} / _{+0.000}	4.995 ^{+0.003} / _{+0.000}	.275	7.91
HW-4500V	4-1/2	5	.275	.351	.281 ^{+0.005} / _{+0.000}	4.500 ^{+0.000} / _{-.003}	4.635 ^{+0.003} / _{+0.000}	4.995 ^{+0.003} / _{+0.000}	.275	33.93
HW-4750	4-3/4	5-1/4	.275	.351	.281 ^{+0.005} / _{+0.000}	4.750 ^{+0.000} / _{-.003}	4.885 ^{+0.003} / _{+0.000}	5.245 ^{+0.003} / _{+0.000}	.275	25.81
HW-5000	5	5-1/2	.275	.351	.281 ^{+0.005} / _{+0.000}	5.000 ^{+0.000} / _{-.003}	5.135 ^{+0.003} / _{+0.000}	5.495 ^{+0.003} / _{+0.000}	.275	12.89
HW-5000N	5	5-1/2	.275	.351	.281 ^{+0.005} / _{+0.000}	5.000 ^{+0.000} / _{-.003}	5.135 ^{+0.003} / _{+0.000}	5.495 ^{+0.003} / _{+0.000}	.275	10.39
HW-5000V	5	5-1/2	.275	.351	.281 ^{+0.005} / _{+0.000}	5.000 ^{+0.000} / _{-.003}	5.135 ^{+0.003} / _{+0.000}	5.495 ^{+0.003} / _{+0.000}	.275	35.84
HW-5500	5-1/2	6	.275	.351	.281 ^{+0.005} / _{+0.000}	5.500 ^{+0.000} / _{-.003}	5.635 ^{+0.003} / _{+0.000}	5.995 ^{+0.003} / _{+0.000}	.275	17.90
HW-5500N	5-1/2	6	.275	.351	.281 ^{+0.005} / _{+0.000}	5.500 ^{+0.000} / _{-.003}	5.635 ^{+0.003} / _{+0.000}	5.995 ^{+0.003} / _{+0.000}	.275	8.99
HW-5500V	5-1/2	6	.275	.351	.281 ^{+0.005} / _{+0.000}	5.500 ^{+0.000} / _{-.003}	5.635 ^{+0.003} / _{+0.000}	5.995 ^{+0.003} / _{+0.000}	.275	39.25
HW-6000N	6	6-1/2	.275	.351	.281 ^{+0.005} / _{+0.000}	6.000 ^{+0.000} / _{-.003}	6.135 ^{+0.003} / _{+0.000}	6.495 ^{+0.003} / _{+0.000}	.275	11.01
HW-6000V	6	6-1/2	.275	.351	.281 ^{+0.005} / _{+0.000}	6.000 ^{+0.000} / _{-.003}	6.135 ^{+0.003} / _{+0.000}	6.495 ^{+0.003} / _{+0.000}	.275	42.65
HW-7000	7	7-1/2	.275	.351	.281 ^{+0.005} / _{+0.000}	7.000 ^{+0.000} / _{-.004}	7.135 ^{+0.003} / _{+0.000}	7.495 ^{+0.003} / _{+0.000}	.275	23.15
HW-8000	8	8-1/2	.275	.351	.281 ^{+0.005} / _{+0.000}	8.000 ^{+0.000} / _{-.004}	8.135 ^{+0.003} / _{+0.000}	8.495 ^{+0.003} / _{+0.000}	.275	40.44

STYLE BT URETHANE WIPER RINGS



SEAL INFORMATION	
MATERIAL	90A URETHANE
TEMPERATURE RANGE	-40° TO +200° F
SPEED	3 FT/SEC
PART NUMBER	(Prefix) (Size)

Part Number	A Nom. ID	B Nom. OD	C Nom. Ht	D GROOVE WIDTH	E ROD DIAMETER	F THROAT DIAMETER	G HOUSING DIAMETER	List Price
BT01050	5/8	7/8	5/32	.176 ^{+0.05} / _{+0.00}	.625	.781 ^{+0.05} / _{+0.00}	.885 ^{+0.05} / _{+0.00}	\$2.70
BT01260	3/4	1-1/8	3/16	.195 ^{+0.05} / _{+0.00}	.750	.860 ^{+0.05} / _{+0.00}	1.135 ^{+0.05} / _{+0.00}	2.70
BT01460	7/8	1-1/4	3/16	.195 ^{+0.05} / _{+0.00}	.875	.985 ^{+0.05} / _{+0.00}	1.260 ^{+0.05} / _{+0.00}	2.70
BT11580	15/16	2-7/16	1/4	.255 ^{+0.05} / _{+0.00}	.937	2.090 ^{+0.05} / _{+0.00}	2.447 ^{+0.05} / _{+0.00}	3.36
BT10060	1	1-3/8	3/16	.195 ^{+0.05} / _{+0.00}	1.000	1.110 ^{+0.05} / _{+0.00}	1.385 ^{+0.05} / _{+0.00}	2.97
BT10260	1-1/8	1-1/2	3/16	.195 ^{+0.05} / _{+0.00}	1.125	1.235 ^{+0.05} / _{+0.00}	1.510 ^{+0.05} / _{+0.00}	2.99
BT10460	1-1/4	1-5/8	3/16	.195 ^{+0.05} / _{+0.00}	1.250	1.360 ^{+0.05} / _{+0.00}	1.635 ^{+0.05} / _{+0.00}	2.99
BT10660	1-3/8	1-3/4	3/16	.195 ^{+0.05} / _{+0.00}	1.375	1.485 ^{+0.05} / _{+0.00}	1.760 ^{+0.05} / _{+0.00}	3.01
BT10860	1-1/2	1-7/8	3/16	.195 ^{+0.05} / _{+0.00}	1.500	1.610 ^{+0.05} / _{+0.00}	1.885 ^{+0.05} / _{+0.00}	3.12
BT11260	1-3/4	2-1/8	3/16	.195 ^{+0.05} / _{+0.00}	1.750	1.860 ^{+0.05} / _{+0.00}	2.135 ^{+0.05} / _{+0.00}	3.24
BT20060	2	2-3/8	3/16	.195 ^{+0.05} / _{+0.00}	2.000	2.110 ^{+0.05} / _{+0.00}	2.385 ^{+0.05} / _{+0.00}	3.44
BT20460	2-1/4	2-5/8	3/16	.195 ^{+0.05} / _{+0.00}	2.250	2.360 ^{+0.05} / _{+0.00}	2.635 ^{+0.05} / _{+0.00}	3.74
BT20791	2-7/16	3	.284	.286 ^{+0.05} / _{+0.00}	2.437	2.633 ^{+0.05} / _{+0.00}	3.010 ^{+0.05} / _{+0.00}	3.93
BT20860	2-1/2	2-7/8	3/16	.195 ^{+0.05} / _{+0.00}	2.500	2.610 ^{+0.05} / _{+0.00}	3.885 ^{+0.05} / _{+0.00}	4.15
BT20880	2-1/2	3	1/4	.255 ^{+0.05} / _{+0.00}	2.500	2.700 ^{+0.05} / _{+0.00}	3.010 ^{+0.05} / _{+0.00}	4.40
BT21080	2-5/8	3-1/8	1/4	.255 ^{+0.05} / _{+0.00}	2.625	2.777 ^{+0.05} / _{+0.00}	3.135 ^{+0.05} / _{+0.00}	4.55
BT21260	2-3/4	3-1/8	3/16	.195 ^{+0.05} / _{+0.00}	2.750	2.827 ^{+0.05} / _{+0.00}	3.135 ^{+0.05} / _{+0.00}	4.62
BT21280	2-3/4	3-1/4	1/4	.255 ^{+0.05} / _{+0.00}	2.750	2.902 ^{+0.05} / _{+0.00}	3.260 ^{+0.05} / _{+0.00}	4.79
BT30090	2.95	3-1/2	.275	.286 ^{+0.05} / _{+0.00}	2.950	3.146 ^{+0.05} / _{+0.00}	3.510 ^{+0.05} / _{+0.00}	5.54
BT30060	3	3-3/8	3/16	.195 ^{+0.05} / _{+0.00}	3.000	3.110 ^{+0.05} / _{+0.00}	3.385 ^{+0.05} / _{+0.00}	5.07
BT30080	3	3-1/2	1/4	.255 ^{+0.05} / _{+0.00}	3.000	3.200 ^{+0.05} / _{+0.00}	3.510 ^{+0.05} / _{+0.00}	5.33

STYLE BT URETHANE WIPER RINGS



Part Number	A Nom. ID	B Nom. OD	C Nom. Ht	D GROOVE WIDTH	E ROD DIAMETER	F THROAT DIAMETER	G HOUSING DIAMETER	List Price
BT30391	3.165	3.734	.284	.289 ^{+0.005} / _{+0.000}	3.165	3.317 ^{+0.005} / _{+0.000}	3.744 ^{+0.005} / _{+0.000}	5.81
BT30480	3-1/4	3-3/4	1/4	.255 ^{+0.005} / _{+0.000}	3.250	3.450 ^{+0.005} / _{+0.000}	3.760 ^{+0.005} / _{+0.000}	5.91
BT30890	3.45	4	.275	.280 ^{+0.005} / _{+0.000}	3.450	3.646 ^{+0.005} / _{+0.000}	4.010 ^{+0.005} / _{+0.000}	6.16
BT30860	3-1/2	3-7/8	3/16	.195 ^{+0.005} / _{+0.000}	3.500	3.610 ^{+0.005} / _{+0.000}	3.885 ^{+0.005} / _{+0.000}	6.01
BT30880	3-1/2	4	1/4	.255 ^{+0.005} / _{+0.000}	3.500	3.700 ^{+0.005} / _{+0.000}	4.010 ^{+0.005} / _{+0.000}	6.01
BT31080	3-5/8	4-1/8	1/4	.255 ^{+0.005} / _{+0.000}	3.625	3.777 ^{+0.005} / _{+0.000}	4.135 ^{+0.005} / _{+0.000}	6.35
BT31280	3-3/4	4-1/4	1/4	.255 ^{+0.005} / _{+0.000}	3.750	3.950 ^{+0.005} / _{+0.000}	4.260 ^{+0.005} / _{+0.000}	6.44
BT40080	4	4-1/2	1/4	.255 ^{+0.005} / _{+0.000}	4.000	4.200 ^{+0.005} / _{+0.000}	4.510 ^{+0.005} / _{+0.000}	6.67
BT40480	4-1/4	4-3/4	1/4	.255 ^{+0.005} / _{+0.000}	4.250	4.402 ^{+0.005} / _{+0.000}	4.760 ^{+0.005} / _{+0.000}	7.13
BT40880	4-1/2	5	1/4	.255 ^{+0.005} / _{+0.000}	4.500	4.700 ^{+0.005} / _{+0.000}	5.010 ^{+0.005} / _{+0.000}	7.47
BT41280	4-3/4	5-1/4	1/4	.255 ^{+0.005} / _{+0.000}	4.750	4.950 ^{+0.005} / _{+0.000}	5.260 ^{+0.005} / _{+0.000}	7.80
BT50080	5	5-1/2	1/4	.255 ^{+0.005} / _{+0.000}	5.000	5.152 ^{+0.005} / _{+0.000}	5.510 ^{+0.005} / _{+0.000}	8.58
BT50880	5-1/2	6	1/4	.255 ^{+0.005} / _{+0.000}	5.500	5.652 ^{+0.005} / _{+0.000}	6.010 ^{+0.005} / _{+0.000}	10.40
BT60080	6	6-1/2	1/4	.255 ^{+0.005} / _{+0.000}	6.000	6.200 ^{+0.005} / _{+0.000}	6.510 ^{+0.005} / _{+0.000}	10.99

Seal color may vary. Special order sizes are available.



BUNA-N WIPER CORD



STYLE KW WIPER
7580C



STYLE ST WIPER
7581

Part Number	C Nom. Ht	Nom. Cross Section	List Price
7580C 3/16"	3/16	3/16	\$2.28
7581C 3/16"	3/16	3/16	1.71
7580C 1/4"	1/4	1/4	2.48



Customize Your Own Rods!

**Complete Line of
Pre-Machined Chrome Rods.**

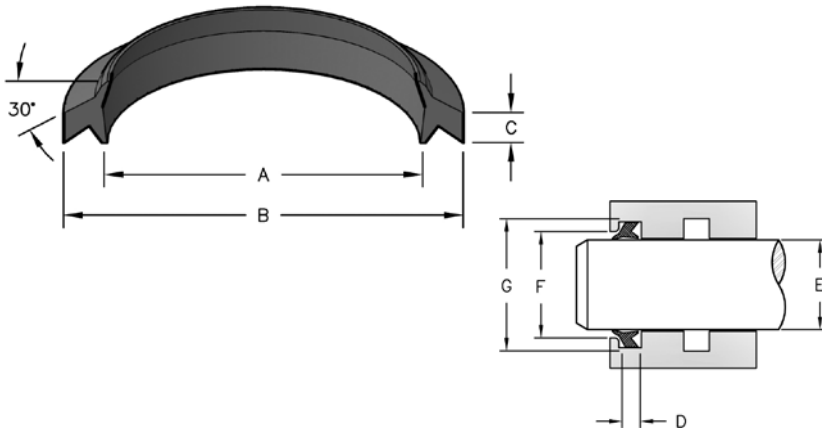
**One End is Machined to Fit
Standard Pistons. The
Other End is Blank for
Custom Modification by
the Customer.**

**See the Pre-Machined
Section of this web-site to
View all Sizes.**

STYLE KW URETHANE WIPER RINGS



Suffix "N" designates nitrile material.



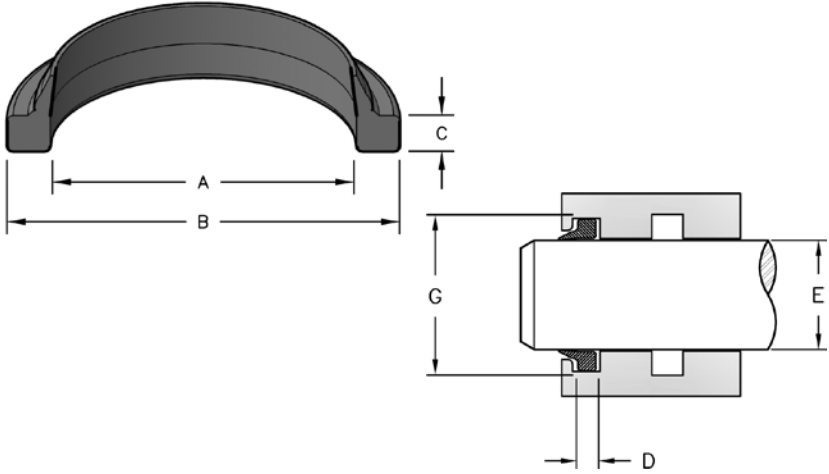
SEAL INFORMATION	
MATERIAL	90A URETHANE
TEMPERATURE RANGE	-40° TO +200° F
SPEED	3 FT/SEC
PART NUMBER	(Prefix)-(Size)

Part Number	A Nom. ID	B Nom. OD	C Nom. Ht	D GROOVE WIDTH	E ROD DIAMETER	F THROAT DIAMETER	G HOUSING DIAMETER	th THICKNESS	List Price
KW-0500	1/2	3/4	.156	.155 ^{+0.015} / _{+0.000}	.500	.625 ^{+0.015} / _{+0.000}	.760 ^{+0.005} / _{+0.000}	.156	\$5.79
KW-0625	5/8	7/8	.156	.155 ^{+0.015} / _{+0.000}	.625	.750 ^{+0.015} / _{+0.000}	.885 ^{+0.005} / _{+0.000}	.156	4.71
KW-0750	3/4	1-1/8	.19	.195 ^{+0.015} / _{+0.000}	.750	.832 ^{+0.015} / _{+0.000}	1.135 ^{+0.005} / _{+0.000}	.190	4.71
KW-0875	7/8	1-1/4	.19	.195 ^{+0.015} / _{+0.000}	.875	.957 ^{+0.015} / _{+0.000}	1.260 ^{+0.005} / _{+0.000}	.190	4.77
KW-1000	1	1-3/8	.19	.195 ^{+0.015} / _{+0.000}	1.000	1.082 ^{+0.015} / _{+0.000}	1.385 ^{+0.005} / _{+0.000}	.190	4.87
KW-1125	1-1/8	1-1/2	.19	.195 ^{+0.015} / _{+0.000}	1.125	1.207 ^{+0.015} / _{+0.000}	1.510 ^{+0.005} / _{+0.000}	.190	5.07
KW-1250	1-1/4	1-5/8	.19	.195 ^{+0.015} / _{+0.000}	1.250	1.332 ^{+0.015} / _{+0.000}	1.635 ^{+0.005} / _{+0.000}	.190	5.41
KW-1250N	1-1/4	1-5/8	.19	.195 ^{+0.015} / _{+0.000}	1.250	1.332 ^{+0.015} / _{+0.000}	1.635 ^{+0.005} / _{+0.000}	.190	6.59
KW-1375	1-3/8	1-3/4	.19	.195 ^{+0.015} / _{+0.000}	1.375	1.457 ^{+0.015} / _{+0.000}	1.760 ^{+0.005} / _{+0.000}	.190	5.84
KW-1500	1-1/2	1-7/8	.19	.195 ^{+0.015} / _{+0.000}	1.500	1.582 ^{+0.015} / _{+0.000}	1.885 ^{+0.005} / _{+0.000}	.190	6.22
KW-1625	1-5/8	2	.19	.195 ^{+0.015} / _{+0.000}	1.625	1.707 ^{+0.015} / _{+0.000}	2.010 ^{+0.005} / _{+0.000}	.190	6.33
KW-1750	1-3/4	2-1/8	.19	.195 ^{+0.015} / _{+0.000}	1.750	1.832 ^{+0.015} / _{+0.000}	2.135 ^{+0.005} / _{+0.000}	.190	6.61
KW-2000	2	2-3/8	.19	.195 ^{+0.015} / _{+0.000}	2.000	2.082 ^{+0.015} / _{+0.000}	2.385 ^{+0.005} / _{+0.000}	.190	7.55
KW-2125	2-1/8	2-1/2	.19	.195 ^{+0.015} / _{+0.000}	2.125	2.207 ^{+0.015} / _{+0.000}	2.510 ^{+0.005} / _{+0.000}	.190	10.13
KW-2250-1	2-1/4	2-5/8	.187	.192 ^{+0.015} / _{+0.000}	2.250		2.635 ^{+0.005} / _{+0.000}	.187	7.88
KW-2250	2-1/4	2-3/4	1/4	.255 ^{+0.015} / _{+0.000}	2.250	2.407 ^{+0.015} / _{+0.000}	2.760 ^{+0.005} / _{+0.000}	.250	7.94
KW-2450N	2.45	3	.281	.286 ^{+0.015} / _{+0.000}	2.450		3.010 ^{+0.005} / _{+0.000}	.281	21.17
KW-2500	2-1/2	3	1/4	.255 ^{+0.015} / _{+0.000}	2.500	2.657 ^{+0.015} / _{+0.000}	3.010 ^{+0.005} / _{+0.000}	.250	8.36
KW-2500N	2-1/2	3	1/4	.255 ^{+0.015} / _{+0.000}	2.500	2.657 ^{+0.015} / _{+0.000}	3.010 ^{+0.005} / _{+0.000}	.250	9.10
KW-2625	2-5/8	3-1/8	1/4	.255 ^{+0.015} / _{+0.000}	2.625	2.782 ^{+0.015} / _{+0.000}	3.135 ^{+0.005} / _{+0.000}	.250	8.90
KW-2750	2-3/4	3-1/4	1/4	.255 ^{+0.015} / _{+0.000}	2.750	2.907 ^{+0.015} / _{+0.000}	3.260 ^{+0.005} / _{+0.000}	.250	9.56
KW-3000	3	3-1/2	1/4	.255 ^{+0.015} / _{+0.000}	3.000	3.157 ^{+0.015} / _{+0.000}	3.510 ^{+0.005} / _{+0.000}	.250	10.74

STYLE KW URETHANE WIPER RINGS

Part Number	A Nom. ID	B Nom. OD	C Nom. Ht	D GROOVE WIDTH	E ROD DIAMETER	F THROAT DIAMETER	G HOUSING DIAMETER	th THICKNESS	List Price
KW-3000N	3	3-1/2	1/4	.255 ^{+0.015} / _{+0.000}	3.000	3.157 ^{+0.015} / _{+0.000}	3.510 ^{+0.005} / _{+0.000}	.250	11.91
KW-3125N	3-1/8	3-5/8	1/4	.255 ^{+0.015} / _{+0.000}	3.125	3.282 ^{+0.015} / _{+0.000}	3.635 ^{+0.005} / _{+0.000}	.250	17.02
KW-3250	3-1/4	3-3/4	1/4	.255 ^{+0.015} / _{+0.000}	3.250	3.407 ^{+0.015} / _{+0.000}	3.760 ^{+0.005} / _{+0.000}	.250	11.53
KW-3375	3-3/8	3-7/8	1/4	.255 ^{+0.015} / _{+0.000}	3.375	3.532 ^{+0.015} / _{+0.000}	3.885 ^{+0.005} / _{+0.000}	.250	12.73
KW-3450N	3.45	4	.243	.248 ^{+0.015} / _{+0.000}	3.450		4.010 ^{+0.005} / _{+0.000}	.243	30.06
KW-3500-2	3-1/2	3-7/8	.19	.195 ^{+0.015} / _{+0.000}	3.500		3.885 ^{+0.005} / _{+0.000}	.190	15.65
KW-3500	3-1/2	4	1/4	.255 ^{+0.015} / _{+0.000}	3.500	3.657 ^{+0.015} / _{+0.000}	4.010 ^{+0.005} / _{+0.000}	.250	12.73
KW-3750	3-3/4	4-1/4	1/4	.255 ^{+0.015} / _{+0.000}	3.750	3.907 ^{+0.015} / _{+0.000}	4.260 ^{+0.005} / _{+0.000}	.250	13.74
KW-3950N	3.95	4.45	1/4	.255 ^{+0.015} / _{+0.000}	3.950		4.460 ^{+0.005} / _{+0.000}	.250	16.15
KW-4000	4	4-1/2	1/4	.255 ^{+0.015} / _{+0.000}	4.000	4.157 ^{+0.015} / _{+0.000}	4.510 ^{+0.005} / _{+0.000}	.250	16.60
KW-4060	4-1/16	4-9/16	1/4	.255 ^{+0.015} / _{+0.000}	4.062		4.5725 ^{+0.005} / _{+0.000}	.250	17.42
KW-4500	4-1/2	5	1/4	.255 ^{+0.015} / _{+0.000}	4.500	4.657 ^{+0.015} / _{+0.000}	5.010 ^{+0.005} / _{+0.000}	.250	19.35
KW-4500N	4-1/2	5	1/4	.255 ^{+0.015} / _{+0.000}	4.500	4.657 ^{+0.015} / _{+0.000}	5.010 ^{+0.005} / _{+0.000}	.250	16.94
KW-4750N	4-3/4	5-1/4	1/4	.255 ^{+0.015} / _{+0.000}	4.750	4.907 ^{+0.015} / _{+0.000}	5.260 ^{+0.005} / _{+0.000}	.250	30.67
KW-4875	4-7/8	5-3/8	1/4	.255 ^{+0.015} / _{+0.000}	4.875	5.032 ^{+0.015} / _{+0.000}	5.385 ^{+0.005} / _{+0.000}	.250	19.54
KW-5000	5	5-1/2	1/4	.255 ^{+0.015} / _{+0.000}	5.000	5.157 ^{+0.015} / _{+0.000}	5.510 ^{+0.005} / _{+0.000}	.250	21.65
KW-5250N	5-1/4	5-3/4	1/4	.255 ^{+0.015} / _{+0.000}	5.250	5.407 ^{+0.015} / _{+0.000}	5.760 ^{+0.005} / _{+0.000}	.250	34.02
KW-5375	5-3/8	5-7/8	1/4	.255 ^{+0.015} / _{+0.000}	5.375		5.885 ^{+0.005} / _{+0.000}	.250	24.57
KW-6000	6	6-1/2	1/4	.255 ^{+0.015} / _{+0.000}	6.000	6.157 ^{+0.015} / _{+0.000}	6.510 ^{+0.005} / _{+0.000}	.250	24.20
KW-7000	7	7-1/2	1/4	.255 ^{+0.015} / _{+0.000}	7.000	7.157 ^{+0.015} / _{+0.000}	7.510 ^{+0.005} / _{+0.000}	.250	26.22
KW-8000	8	8-1/2	1/4	.255 ^{+0.015} / _{+0.000}	8.000	8.157 ^{+0.015} / _{+0.000}	8.510 ^{+0.005} / _{+0.000}	.250	57.58
KW-8000N	8	8-1/2	1/4	.255 ^{+0.015} / _{+0.000}	8.000	8.157 ^{+0.015} / _{+0.000}	8.510 ^{+0.005} / _{+0.000}	.250	57.58
KW-8125	8-1/8	8.63	1/4	.255 ^{+0.015} / _{+0.000}	8.125		8.640 ^{+0.005} / _{+0.000}	.250	49.77
KW-9125	9-1/8	9.63	1/4	.255 ^{+0.015} / _{+0.000}	9.125		9.640 ^{+0.005} / _{+0.000}	.250	86.73
KW-9375	9-3/8	9.89	1/4	.255 ^{+0.015} / _{+0.000}	9.375		9.900 ^{+0.005} / _{+0.000}	.250	92.31

STYLE SWNC WIPER RINGS



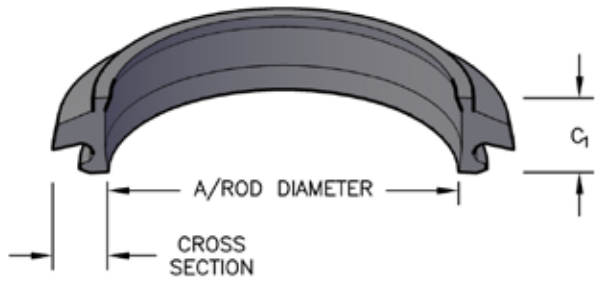
SEAL INFORMATION	
MATERIAL	BUNA-N
TEMPERATURE RANGE	-22° TO +212° F
SPEED	3 FT/SEC
PART NUMBER	(Prefix)-(Size)

Part Number	A Nom. ID	B Nom. OD	C Nom. Ht	D GROOVE WIDTH	E ROD DIAMETER	G HOUSING DIAMETER	List Price
SWNC-62	5/8	1.02	1/8	.125 ^{+.004} / _{+.000}	.625	1.025 ^{+.004} / _{+.000}	\$3.89
SWNC-75	3/4	1.15	1/8	.125 ^{+.004} / _{+.000}	.750	1.150 ^{+.004} / _{+.000}	3.36
SWNC-87	7/8	1.275	1/8	.125 ^{+.004} / _{+.000}	.875	1.275 ^{+.004} / _{+.000}	3.36
SWNC-100	1	1-3/8	1/8	.125 ^{+.004} / _{+.000}	1.000	1.375 ^{+.004} / _{+.000}	7.61
SWNC-100A	1	1.4	1/8	.125 ^{+.004} / _{+.000}	1.000	1.400 ^{+.004} / _{+.000}	3.36
SWNC-112	1-1/8	1-5/8	1/8	.125 ^{+.004} / _{+.000}	1.125	1.625 ^{+.004} / _{+.000}	3.89
SWNC-125	1-1/4	1-3/4	1/8	.125 ^{+.004} / _{+.000}	1.250	1.750 ^{+.004} / _{+.000}	3.89
SWNC-137	1-3/8	1-7/8	1/8	.125 ^{+.004} / _{+.000}	1.375	1.875 ^{+.004} / _{+.000}	4.81
SWNC-150	1-1/2	2	1/8	.125 ^{+.004} / _{+.000}	1.500	2.000 ^{+.004} / _{+.000}	3.89
SWNC-162	1-5/8	2-1/8	1/8	.125 ^{+.004} / _{+.000}	1.625	2.125 ^{+.004} / _{+.000}	5.84
SWNC-175	1-3/4	2-1/4	1/8	.125 ^{+.004} / _{+.000}	1.750	2.250 ^{+.004} / _{+.000}	3.98
SWNC-187	1-7/8	2-3/8	1/8	.125 ^{+.004} / _{+.000}	1.875	2.375 ^{+.004} / _{+.000}	5.73
SWNC-200	2	2-1/2	1/8	.125 ^{+.004} / _{+.000}	2.000	2.500 ^{+.004} / _{+.000}	3.98
SWNC-225	2-1/4	2-3/4	1/8	.125 ^{+.004} / _{+.000}	2.250	2.750 ^{+.004} / _{+.000}	4.97
SWNC-237	2-3/8	2-7/8	1/8	.125 ^{+.004} / _{+.000}	2.375	2.875 ^{+.004} / _{+.000}	5.73
SWNC-250	2-1/2	3	1/8	.125 ^{+.004} / _{+.000}	2.500	3.000 ^{+.004} / _{+.000}	4.53
SWNC-275	2-3/4	3-1/4	1/8	.125 ^{+.004} / _{+.000}	2.750	3.250 ^{+.004} / _{+.000}	5.34
SWNC-300	3	3-1/2	1/8	.125 ^{+.004} / _{+.000}	3.000	3.500 ^{+.004} / _{+.000}	5.48
SWNC-325	3-1/4	4	3/16	.187 ^{+.004} / _{+.000}	3.250	4.000 ^{+.004} / _{+.000}	10.28
SWNC-337	3-3/8	4-1/8	3/16	.187 ^{+.004} / _{+.000}	3.375	4.125 ^{+.004} / _{+.000}	14.70
SWNC-350	3-1/2	4-1/4	3/16	.187 ^{+.004} / _{+.000}	3.500	4.250 ^{+.004} / _{+.000}	10.04
SWNC-400	4	4-3/4	3/16	.187 ^{+.004} / _{+.000}	4.000	4.750 ^{+.004} / _{+.000}	10.98

STYLE SWNC WIPER RINGS

Part Number	A Nom. ID	B Nom. OD	C Nom. Ht	D GROOVE WIDTH	E ROD DIAMETER	G HOUSING DIAMETER	List Price
SWNC-425	4-1/4	5	3/16	.187 ^{+0.004} / _{+0.000}	4.250	5.000 ^{+0.004} / _{+0.000}	17.10
SWNC-450	4-1/2	5-1/4	3/16	.187 ^{+0.004} / _{+0.000}	4.500	5.250 ^{+0.004} / _{+0.000}	11.50
SWNC-500	5	5-3/4	3/16	.187 ^{+0.004} / _{+0.000}	5.000	5.750 ^{+0.004} / _{+0.000}	19.79

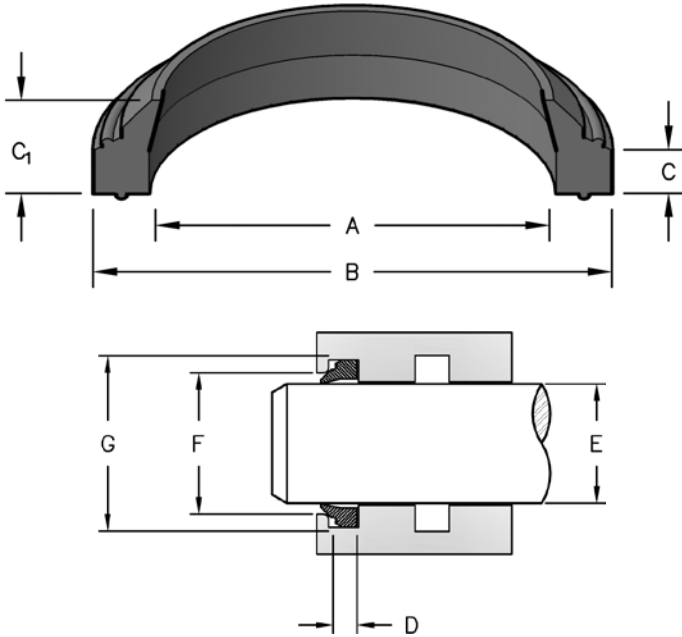
CASCADE WIPERS



SEAL INFORMATION	
MATERIAL	URETHANE
TEMPERATURE RANGE	-65° TO +220° F
SPEED	3 FT/SEC
PART NUMBER	(Prefix)-(Size)

Part Number	A Nom. ID	C ₁ OVERALL HEIGHT	E ROD DIAMETER	C HEIGHT	CROSS SECTION	List Price
CAS-605609	2.7	.485	2.700	.485	.330 ±.005	\$16.86
CAS-605648	2.825	.485	2.825	.485	.330 ±.005	18.01
CAS-605611	3.2	.485	3.200	.485	.330 ±.005	19.45
CAS-605613	3.7	.485	3.700	.485	.330 ±.005	38.35
CAS-605620	5.45	.485	5.450	.485	.330 ±.005	45.97

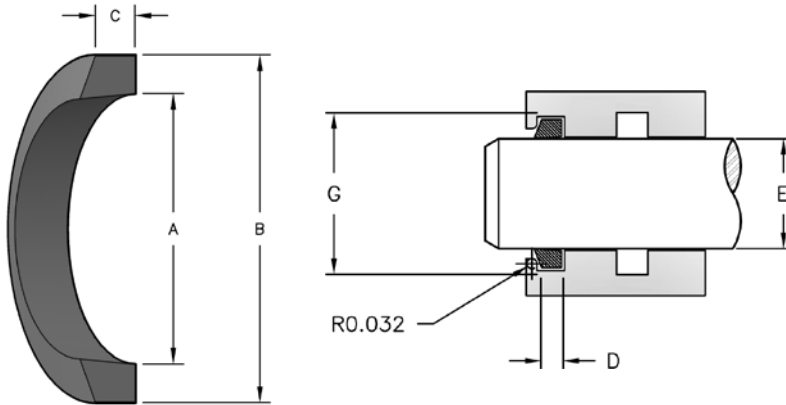
STYLE SWSN WIPERS



SEAL INFORMATION	
MATERIAL	BUNA-N
TEMPERATURE RANGE	-22° TO +212° F
SPEED	3 FT/SEC
PART NUMBER	(Prefix)-(Size)

Part Number	A Nom. ID	B Nom. OD	C Nom. Ht	C ₁ OVERALL HEIGHT	D GROOVE WIDTH	E ROD DIAMETER	F THROAT DIAMETER	G HOUSING DIAMETER	List Price
SWSN-100	1	1-1/2	13/64	.400	.208 ^{+0.008} / _{+0.000}	1.000	1.250 ^{+0.008} / _{+0.000}	1.500 ^{+0.008} / _{+0.000}	\$3.82
SWSN-112	1-1/8	1-5/8	13/64	.400	.208 ^{+0.008} / _{+0.000}	1.125	1.375 ^{+0.008} / _{+0.000}	1.625 ^{+0.008} / _{+0.000}	4.09
SWSN-125	1-1/4	1-3/4	13/64	.400	.208 ^{+0.008} / _{+0.000}	1.250	1.500 ^{+0.008} / _{+0.000}	1.750 ^{+0.008} / _{+0.000}	3.21
SWSN-150	1-1/2	2	13/64	.400	.208 ^{+0.008} / _{+0.000}	1.500	1.750 ^{+0.008} / _{+0.000}	2.000 ^{+0.008} / _{+0.000}	3.94
SWSN-175	1-3/4	2-1/4	13/64	.400	.208 ^{+0.008} / _{+0.000}	1.750	2.000 ^{+0.008} / _{+0.000}	2.250 ^{+0.008} / _{+0.000}	3.94
SWSN-175A	1-3/4	2-1/8	13/64	.400	.208 ^{+0.008} / _{+0.000}	1.750	1.937 ^{+0.008} / _{+0.000}	2.125 ^{+0.008} / _{+0.000}	12.46
SWSN-187	1-7/8	2-3/8	13/64	.400	.208 ^{+0.008} / _{+0.000}	1.875	2.125 ^{+0.008} / _{+0.000}	2.375 ^{+0.008} / _{+0.000}	4.93
SWSN-200	2	2-1/2	13/64	.400	.208 ^{+0.008} / _{+0.000}	2.000	2.250 ^{+0.008} / _{+0.000}	2.500 ^{+0.008} / _{+0.000}	4.09
SWSN-212	2-1/8	2-5/8	13/64	.400	.208 ^{+0.008} / _{+0.000}	2.125	2.375 ^{+0.008} / _{+0.000}	2.625 ^{+0.008} / _{+0.000}	5.92
SWSN-225	2-1/4	2-3/4	13/64	.400	.208 ^{+0.008} / _{+0.000}	2.250	2.500 ^{+0.008} / _{+0.000}	2.750 ^{+0.008} / _{+0.000}	5.31
SWSN-250	2-1/2	3	13/64	.400	.208 ^{+0.008} / _{+0.000}	2.500	2.750 ^{+0.008} / _{+0.000}	3.000 ^{+0.008} / _{+0.000}	5.43
SWSN-275	2-3/4	3-1/4	13/64	.400	.208 ^{+0.008} / _{+0.000}	2.750	3.000 ^{+0.008} / _{+0.000}	3.250 ^{+0.008} / _{+0.000}	4.93
SWSN-300	3	3-1/2	13/64	.400	.208 ^{+0.008} / _{+0.000}	3.000	3.250 ^{+0.008} / _{+0.000}	3.500 ^{+0.008} / _{+0.000}	5.79
SWSN-325	3-1/4	3-3/4	13/64	.400	.208 ^{+0.008} / _{+0.000}	3.250	3.500 ^{+0.008} / _{+0.000}	3.750 ^{+0.008} / _{+0.000}	10.24
SWSN-337	3-3/8	3-7/8	13/64	.400	.208 ^{+0.008} / _{+0.000}	3.375	3.625 ^{+0.008} / _{+0.000}	3.875 ^{+0.008} / _{+0.000}	6.54
SWSN-350	3-1/2	4	13/64	.400	.208 ^{+0.008} / _{+0.000}	3.500	3.750 ^{+0.008} / _{+0.000}	4.000 ^{+0.008} / _{+0.000}	7.52
SWSN-362	3-5/8	4-1/8	13/64	.400	.208 ^{+0.008} / _{+0.000}	3.625	3.875 ^{+0.008} / _{+0.000}	4.125 ^{+0.008} / _{+0.000}	8.17
SWSN-400	4	4-1/2	13/64	.400	.208 ^{+0.008} / _{+0.000}	4.000	4.250 ^{+0.008} / _{+0.000}	4.500 ^{+0.008} / _{+0.000}	9.75

STYLE SWNB WIPER RINGS

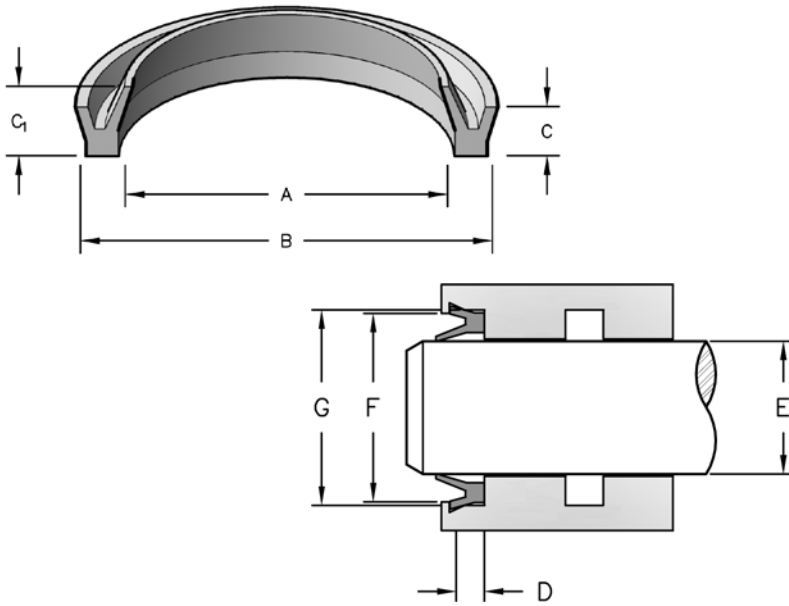


SEAL INFORMATION	
MATERIAL	BUNA-N
TEMPERATURE RANGE	-22° TO +212° F
SPEED	3 FT/SEC
PART NUMBER	(Prefix)-(Size)

Part Number	A Nom. ID	B Nom. OD	C Nom. Ht	D GROOVE WIDTH	E ROD DIAMETER	G HOUSING DIAMETER	List Price
SWNB-62	5/8	.82	.14	.140	.625	.820	\$3.13
SWNB-75	3/4	.95	.14	.140	.750	.950	4.89
SWNB-87	7/8	1.08	.15	.150	.875	1.080	3.79
SWNB-100	1	1.24	.16	.160	1.000	1.240	3.14
SWNB-112	1-1/8	1-3/8	.16	.160	1.125	1.375	3.27
SWNB-125	1-1/4	1.49	.17	.170	1.250	1.490	3.79
SWNB-137	1-3/8	1-5/8	.17	.170	1.375	1.625	3.79
SWNB-150	1-1/2	1.77	.18	.180	1.500	1.770	3.51
SWNB-175	1-3/4	2.03	.19	.190	1.750	2.030	3.79
SWNB-187	1-7/8	2.16	.19	.190	1.875	2.160	5.20
SWNB-200	2	2.3	.2	.200	2.000	2.300	4.68
SWNB-212	2-1/8	2.43	.21	.210	2.125	2.430	5.20
SWNB-225	2-1/4	2.57	.21	.210	2.250	2.570	4.41
SWNB-237	2-3/8	2.7	.22	.220	2.375	2.700	5.33
SWNB-250	2-1/2	2.84	.22	.220	2.500	2.840	4.55
SWNB-262	2-5/8	2.97	.23	.230	2.625	2.970	5.20
SWNB-275	2-3/4	3.11	.23	.230	2.750	3.110	4.68
SWNB-287	2-7/8	3.24	.24	.240	2.875	3.240	5.59
SWNB-300	3	3.38	.24	.240	3.000	3.380	4.68
SWNB-312	3-1/8	3-1/2	1/4	.250	3.125	3.500	5.09
SWNB-350	3-1/2	3.92	.27	.270	3.500	3.920	5.72
SWNB-362	3-5/8	4.05	.27	.270	3.625	4.050	7.16
SWNB-375	3-3/4	4.19	.28	.280	3.750	4.190	5.86



STYLE CSW SNAP-IN WIPER RINGS

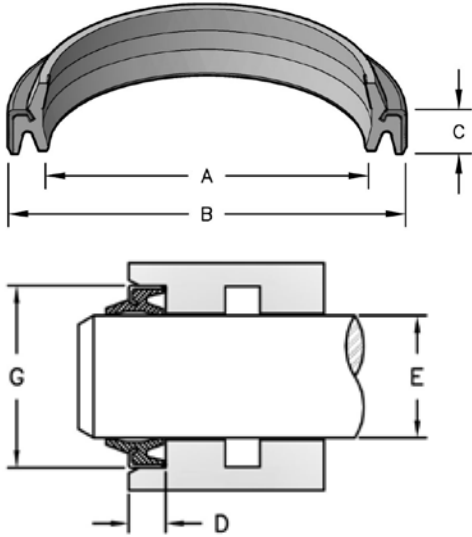


SEAL INFORMATION	
MATERIAL	NYLON
TEMPERATURE RANGE	-40° TO +212° F
SPEED	3 FT/SEC
PART NUMBER	(Prefix) - (Size)

Part Number	A Nom. ID	B Nom. OD	C Nom. Ht	C ₁ OVERALL HEIGHT	D GROOVE WIDTH	E ROD DIAMETER	F THROAT DIAMETER	G HOUSING DIAMETER	List Price
CSW-62	5/8	1	11/64	.250	.172	.625	.938	1.000	\$4.17
CSW-87	7/8	1-3/8	15/64	.345	.235	.875	1.313	1.375	3.66
CSW-100	1	1-1/2	15/64	.345	.235	1.000	1.438	1.500	4.17
CSW-112	1-1/8	1-5/8	15/64	.345	.235	1.125	1.563	1.625	3.76
CSW-125	1-1/4	1-3/4	15/64	.345	.235	1.250	1.688	1.750	4.54
CSW-137	1-3/8	1-7/8	15/64	.345	.235	1.375	1.813	1.875	5.03
CSW-150	1-1/2	2	15/64	.345	.235	1.500	1.938	2.000	4.03
CSW-162	1-5/8	2-1/8	15/64	.345	.235	1.625	2.063	2.125	4.93
CSW-175	1-3/4	2-1/4	15/64	.345	.235	1.750	2.188	2.250	4.67
CSW-200	2	2-1/2	15/64	.345	.235	2.000	2.438	2.500	5.16
CSW-225	2-1/4	2-3/4	15/64	.345	.235	2.250	2.688	2.750	7.56
CSW-250	2-1/2	3	15/64	.345	.235	2.500	2.938	3.000	6.78
CSW-275	2-3/4	3-1/4	15/64	.345	.235	2.750	3.188	3.250	9.08
CSW-325	3-1/4	3-3/4	15/64	.345	.235	3.250	3.688	3.750	10.57
CSW-350	3-1/2	4	15/64	.345	.235	3.500	3.938	4.000	10.08
CSW-400	4	4-1/2	15/64	.345	.235	4.000	4.438	4.500	11.84

STYLE MCKU METAL CLAD WIPER RINGS

Utilizing a double lip of urethane bonded to a carbon steel case, this wiper prevents contaminant ingress at the wiping lip and around the outer case.



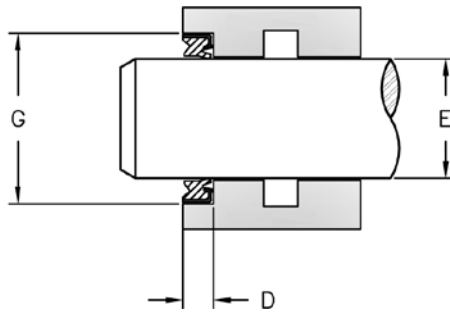
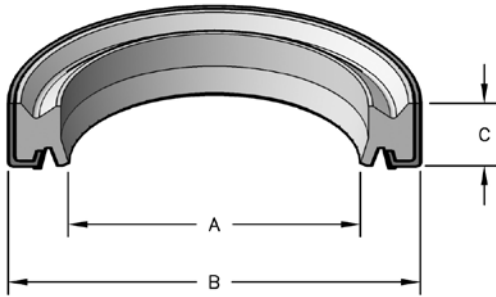
SEAL INFORMATION

MATERIAL	93A URETHANE
TEMPERATURE RANGE	-31° TO +212° F
SPEED	3 FT/SEC
PART NUMBER	(Prefix) - (Size)

Part Number	A Nom. ID	B Nom. OD	C Nom. Ht	D GROOVE WIDTH	E ROD DIAMETER	G HOUSING DIAMETER	List Price
MCKU-2000	2	2-1/2	5/16	.313 ^{+0.015} / _{+0.000}	2.000 ^{+0.000} / _{-.0029}	2.500 ^{+0.0075} / _{+0.0000}	\$ 18.82
MCKU-2250	2-1/4	2-3/4	5/16	.313 ^{+0.015} / _{+0.000}	2.250 ^{+0.0000} / _{-.0029}	2.750 ^{+0.0075} / _{+0.0000}	25.61
MCKU-2500	2-1/2	3	5/16	.313 ^{+0.015} / _{+0.000}	2.500 ^{+0.0000} / _{-.0029}	3.000 ^{+0.0075} / _{+0.0000}	23.37
MCKU-2624	2-5/8	3-1/8	5/16	.313 ^{+0.015} / _{+0.000}	2.625 ^{+0.0000} / _{-.0029}	3.125 ^{+0.0075} / _{+0.0000}	31.68
MCKU-2750	2-3/4	3-1/4	5/16	.313 ^{+0.015} / _{+0.000}	2.750 ^{+0.0000} / _{-.0029}	3.250 ^{+0.0087} / _{+0.0000}	24.24
MCKU-3000	3	3-1/2	5/16	.313 ^{+0.015} / _{+0.000}	3.000 ^{+0.0000} / _{-.0029}	3.500 ^{+0.0087} / _{+0.0000}	25.18
MCKU-3254	3-1/4	3-3/4	5/16	.313 ^{+0.015} / _{+0.000}	3.250 ^{+0.0000} / _{-.0034}	3.750 ^{+0.0087} / _{+0.0000}	27.58
MCKU-3506	3-1/2	4-1/8	5/16	.313 ^{+0.015} / _{+0.000}	3.500 ^{+0.0000} / _{-.0034}	4.125 ^{+0.0087} / _{+0.0000}	28.36
MCKU-4005	4	4-5/8	5/16	.313 ^{+0.015} / _{+0.000}	4.000 ^{+0.0000} / _{-.0034}	4.625 ^{+0.0087} / _{+0.0000}	30.92



STYLE MCHD METAL CLAD WIPERS



SEAL INFORMATION	
MATERIAL	92A URETHANE
TEMPERATURE RANGE	-65° TO +230° F
SPEED	3 FT/SEC
PART NUMBER	(Prefix) - (Size)

Part Number	A Nom. ID	B Nom. OD	C Nom. Ht	D GROOVE WIDTH	E ROD DIAMETER	G HOUSING DIAMETER	List Price
MCHD-1506-D	1-1/2	2-1/4	7/16	.430 ±.020	1.500 ^{+0.000} / _{-.003}	2.250 ±.001	\$27.54
MCHD-1755-D	1-3/4	2-7/16	7/16	.430 ±.020	1.750 ^{+0.000} / _{-.003}	2.438 ±.001	28.05
MCHD-1876-D	1-7/8	2-9/16	7/16	.430 ±.020	1.875 ^{+0.000} / _{-.003}	2.563 ±.001	28.52
MCHD-2006-D	2	2-11/16	7/16	.430 ±.020	2.000 ^{+0.000} / _{-.003}	2.688 ±.001	29.40
MCHD-2125-D	2-1/8	2-7/8	7/16	.430 ±.020	2.125 ^{+0.000} / _{-.003}	2.875 ±.001	30.03
MCHD-2253-D	2-1/4	3	7/16	.430 ±.020	2.250 ^{+0.000} / _{-.003}	3.000 ±.001	30.64
MCHD-2376-D	2-3/8	3-1/8	7/16	.430 ±.020	2.375 ^{+0.000} / _{-.003}	3.125 ±.001	31.81
MCHD-2502-D	2-1/2	3-1/4	7/16	.430 ±.020	2.500 ^{+0.000} / _{-.003}	3.250 ±.001	33.00
MCHD-2504-D	2-1/2	3-5/16	7/16	.430 ±.020	2.500 ^{+0.000} / _{-.003}	3.313 ±.001	33.11
MCHD-2626-D	2-5/8	3-3/8	7/16	.430 ±.020	2.625 ^{+0.000} / _{-.003}	3.375 ±.001	22.23
MCHD-2755-D	2-3/4	3-3/4	1/2	.550 ±.020	2.750 ^{+0.000} / _{-.003}	3.750 ±.001	34.95
MCHD-3008-D	3	4	1/2	.550 ±.020	3.000 ^{+0.000} / _{-.004}	4.000 ±.001	36.11
MCHD-3250-D	3-1/4	4-1/4	1/2	.550 ±.020	3.250 ^{+0.000} / _{-.004}	4.250 ±.001	37.14
MCHD-3508-D	3-1/2	4-1/2	1/2	.550 ±.020	3.500 ^{+0.000} / _{-.004}	4.500 ±.001	38.06
MCHD-3751-D	3-3/4	4-3/4	1/2	.550 ±.020	3.750 ^{+0.000} / _{-.004}	4.750 ±.001	38.73
MCHD-4000-D	4	5	1/2	.550 ±.020	4.000 ^{+0.000} / _{-.004}	5.000 ±.001	39.00
MCHD-4250-D	4-1/4	5-1/4	1/2	.550 ±.020	4.250 ^{+0.000} / _{-.004}	5.250 ±.001	48.80
MCHD-4508-D	4-1/2	5-1/2	1/2	.550 ±.020	4.500 ^{+0.000} / _{-.004}	5.500 ±.001	55.11
MCHD-5002-D	5	6	1/2	.550 ±.020	5.000 ^{+0.000} / _{-.004}	6.000 ±.001	65.69

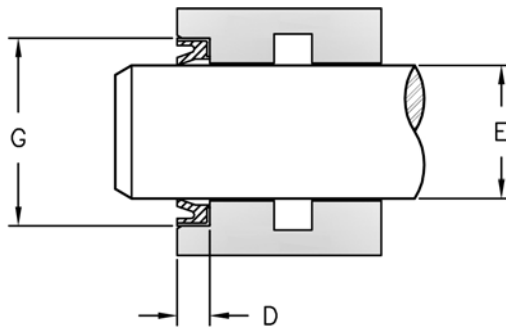
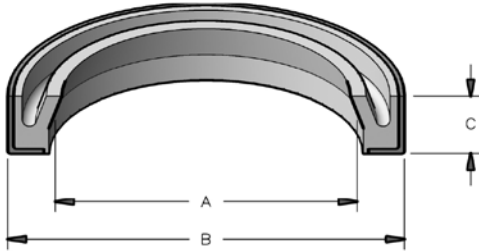
STYLE MCHD METAL CLAD WIPERS



Part Number	A Nom. ID	B Nom. OD	C Nom. Ht	D GROOVE WIDTH	E ROD DIAMETER	G HOUSING DIAMETER	List Price
MCHD-5503-D	5-1/2	6-1/2	1/2	.550 ±.020	5.500 ^{+.000} _{-.004}	6.500 ±.001	41.30
MCHD-6753-D	6-3/4	7-3/4	1/2	.550 ±.020	6.750 ^{+.000} _{-.004}	7.750 ±.001	111.43
MCHD-7002-D	7	8	1/2	.550 ±.020	7.000 ^{+.000} _{-.005}	8.000 ±.001	81.15
MCHD-8002-D	8	9	1/2	.550 ±.020	8.000 ^{+.000} _{-.005}	9.000 ±.001	141.29

STYLE MCU HEAVY DUTY METAL CLAD WIPER RINGS

Utilizing a sturdy metal case, these wipers are molded from the same high performance urethane used in our Heavy Duty U-seals. Built for severe service, these wipers are capable of surviving hostile environments.



SEAL INFORMATION

MATERIAL	92A URETHANE
TEMPERATURE RANGE	-65° TO +230° F
SPEED	3 FT/SEC
PART NUMBER	(Prefix) - (Size)

Part Number	A Nom. ID	B Nom. OD	C Nom. Ht	D GROOVE WIDTH	E ROD DIAMETER	G HOUSING DIAMETER	List Price
MCU-0625-D	5/8	1-1/8	5/16	.313 ^{+0.015} / _{+0.000}	.625 ^{+0.000} / _{-0.003}	1.125 ±.001	\$7.09
MCU-0750-D	3/4	1-1/4	5/16	.313 ^{+0.015} / _{+0.000}	.750 ^{+0.000} / _{-0.003}	1.250 ±.001	6.52
MCU-0875-D	7/8	1-3/8	5/16	.313 ^{+0.015} / _{+0.000}	.875 ^{+0.000} / _{-0.003}	1.375 ±.001	7.68
MCU-1000-D	1	1-1/2	5/16	.313 ^{+0.015} / _{+0.000}	1.000 ^{+0.000} / _{-0.003}	1.500 ±.001	9.87
MCU-1120-D	1-1/8	1-5/8	5/16	.313 ^{+0.015} / _{+0.000}	1.125 ^{+0.000} / _{-0.003}	1.625 ±.001	10.61
MCU-1187-G	1-3/16	1-5/8	1/4	.250 ^{+0.015} / _{+0.000}	1.187 ^{+0.000} / _{-0.003}	1.625 ±.001	9.51
MCU-1254-D	1-1/4	1-3/4	1/4	.250 ^{+0.015} / _{+0.000}	1.250 ^{+0.000} / _{-0.003}	1.750 ±.001	14.78
MCU-1250-D	1-1/4	1-3/4	5/16	.313 ^{+0.015} / _{+0.000}	1.250 ^{+0.000} / _{-0.003}	1.750 ±.001	12.77
MCU-1375-D	1-3/8	1-7/8	5/16	.313 ^{+0.015} / _{+0.000}	1.375 ^{+0.000} / _{-0.003}	1.875 ±.001	12.92
MCU-1501-D	1-1/2	1-7/8	1/4	.250 ^{+0.015} / _{+0.000}	1.500 ^{+0.000} / _{-0.003}	1.875 ±.001	12.95
MCU-1502-D	1-1/2	2	1/4	.250 ^{+0.015} / _{+0.000}	1.500 ^{+0.000} / _{-0.003}	2.000 ±.001	13.39
MCU-1500-D	1-1/2	2	5/16	.313 ^{+0.015} / _{+0.000}	1.500 ^{+0.000} / _{-0.003}	2.000 ±.001	13.05
MCU-1505-G	1-1/2	2-1/8	5/16	.313 ^{+0.015} / _{+0.000}	1.500 ^{+0.000} / _{-0.003}	2.125 ±.001	9.97
MCU-1506-D	1-1/2	2-1/4	3/8	.375 ^{+0.015} / _{+0.000}	1.500 ^{+0.000} / _{-0.003}	2.250 ±.001	13.61
MCU-1624-D	1-5/8	2-1/8	1/4	.250 ^{+0.015} / _{+0.000}	1.625 ^{+0.000} / _{-0.003}	2.125 ±.001	14.17
MCU-1625-D	1-5/8	2-1/8	5/16	.313 ^{+0.015} / _{+0.000}	1.625 ^{+0.000} / _{-0.003}	2.125 ±.001	13.80
MCU-1751-D	1-3/4	2-1/4	1/4	.250 ^{+0.015} / _{+0.000}	1.750 ^{+0.000} / _{-0.003}	2.250 ±.001	14.10

STYLE MCU HEAVY DUTY METAL CLAD WIPER RINGS



Part Number	A Nom. ID	B Nom. OD	C Nom. Ht	D GROOVE WIDTH	E ROD DIAMETER	G HOUSING DIAMETER	List Price
MCU-1750-D	1-3/4	2-1/4	5/16	.313 ^{+0.015} / _{+0.000}	1.750 ^{+0.000} / _{-0.003}	2.250 ±.001	14.10
MCU-1755-D	1-3/4	2-7/16	3/8	.375 ^{+0.015} / _{+0.000}	1.750 ^{+0.000} / _{-0.003}	2.438 ±.001	14.35
MCU-1756-G	1-3/4	2-1/2	3/8	.375 ^{+0.015} / _{+0.000}	1.750 ^{+0.000} / _{-0.003}	2.500 ±.001	10.67
MCU-1875-D	1-7/8	2-3/8	5/16	.313 ^{+0.015} / _{+0.000}	1.875 ^{+0.000} / _{-0.003}	2.375 ±.001	14.44
MCU-1876-D	1-7/8	2-9/16	3/8	.375 ^{+0.015} / _{+0.000}	1.875 ^{+0.000} / _{-0.003}	2.563 ±.001	15.38
MCU-2001-G	2	2-3/8	1/4	.250 ^{+0.015} / _{+0.000}	2.000 ^{+0.000} / _{-0.003}	2.375 ±.001	12.71
MCU-2002-D	2	2-1/2	1/4	.250 ^{+0.015} / _{+0.000}	2.000 ^{+0.000} / _{-0.003}	2.500 ±.001	16.25
MCU-2004-D	2	2-5/8	1/4	.250 ^{+0.015} / _{+0.000}	2.000 ^{+0.000} / _{-0.003}	2.625 ±.001	17.27
MCU-2000-D	2	2-1/2	5/16	.313 ^{+0.015} / _{+0.000}	2.000 ^{+0.000} / _{-0.003}	2.500 ±.001	14.63
MCU-2003-G	2	2-3/4	3/8	.375 ^{+0.015} / _{+0.000}	2.000 ^{+0.000} / _{-0.003}	2.750 ±.001	14.56
MCU-2006-D	2	2-11/16	3/8	.375 ^{+0.015} / _{+0.000}	2.000 ^{+0.000} / _{-0.003}	2.688 ±.001	18.47
MCU-2126-G	2-1/8	2-1/2	3/16	.188 ^{+0.015} / _{+0.000}	2.125 ^{+0.000} / _{-0.003}	2.500 ±.001	18.97
MCU-2124-D	2-1/8	2-5/8	5/16	.313 ^{+0.015} / _{+0.000}	2.125 ^{+0.000} / _{-0.003}	2.625 ±.001	15.79
MCU-2125-D	2-1/8	2-7/8	3/8	.375 ^{+0.015} / _{+0.000}	2.125 ^{+0.000} / _{-0.003}	2.875 ±.001	10.69
MCU-2188-D	2-3/16	2-11/16	3/8	.375 ^{+0.015} / _{+0.000}	2.187 ^{+0.000} / _{-0.003}	2.688 ±.001	19.19
MCU-2251-D	2-1/4	2-3/4	1/4	.250 ^{+0.015} / _{+0.000}	2.250 ^{+0.000} / _{-0.003}	2.750 ±.001	15.66
MCU-2252-G	2-1/4	3	1/4	.250 ^{+0.015} / _{+0.000}	2.250 ^{+0.000} / _{-0.003}	3.000 ±.001	16.10
MCU-2250-D	2-1/4	2-3/4	5/16	.313 ^{+0.015} / _{+0.000}	2.250 ^{+0.000} / _{-0.003}	2.750 ±.001	15.66
MCU-2253-D	2-1/4	3	3/8	.375 ^{+0.015} / _{+0.000}	2.250 ^{+0.000} / _{-0.003}	3.000 ±.001	16.37
MCU-2375-D	2-3/8	2-7/8	5/16	.313 ^{+0.015} / _{+0.000}	2.375 ^{+0.000} / _{-0.003}	2.875 ±.001	13.42
MCU-2376-D	2-3/8	3-1/8	3/8	.375 ^{+0.015} / _{+0.000}	2.375 ^{+0.000} / _{-0.003}	3.125 ±.001	13.53
MCU-2503-D	2-1/2	3	3/16	.188 ^{+0.015} / _{+0.000}	2.500 ^{+0.000} / _{-0.003}	3.000 ±.001	15.89
MCU-2501-D	2-1/2	3-1/4	1/4	.250 ^{+0.015} / _{+0.000}	2.500 ^{+0.000} / _{-0.003}	3.250 ±.001	14.09
MCU-2500-D	2-1/2	3	5/16	.313 ^{+0.015} / _{+0.000}	2.500 ^{+0.000} / _{-0.003}	3.000 ±.001	17.72
MCU-2502-D	2-1/2	3-1/4	3/8	.375 ^{+0.015} / _{+0.000}	2.500 ^{+0.000} / _{-0.003}	3.250 ±.001	18.02
MCU-2504-G	2-1/2	3-3/16	3/8	.375 ^{+0.015} / _{+0.000}	2.500 ^{+0.000} / _{-0.003}	3.188 ±.001	29.84
MCU-2625-D	2-5/8	3-1/8	1/4	.250 ^{+0.015} / _{+0.000}	2.625 ^{+0.000} / _{-0.003}	3.125 ±.001	18.02
MCU-2624-D	2-5/8	3-1/8	5/16	.313 ^{+0.015} / _{+0.000}	2.625 ^{+0.000} / _{-0.003}	3.125 ±.001	20.57
MCU-2626-G	2-5/8	3-3/8	3/8	.375 ^{+0.015} / _{+0.000}	2.625 ^{+0.000} / _{-0.003}	3.375 ±.001	23.40
MCU-2754-D	2-3/4	3-1/2	1/4	.250 ^{+0.015} / _{+0.000}	2.750 ^{+0.000} / _{-0.003}	3.500 ±.001	17.05

STYLE MCU HEAVY DUTY METAL CLAD WIPER RINGS

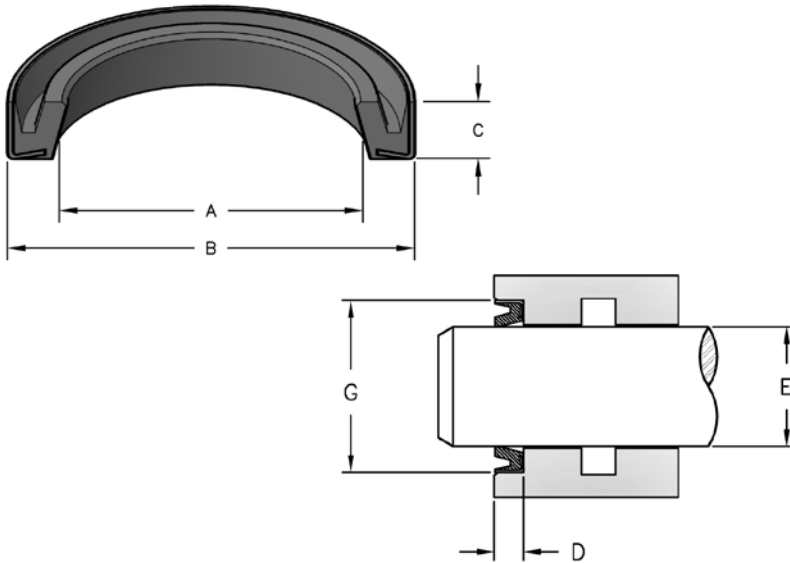
Part Number	A Nom. ID	B Nom. OD	C Nom. Ht	D GROOVE WIDTH	E ROD DIAMETER	G HOUSING DIAMETER	List Price
MCU-2750-D	2-3/4	3-1/4	5/16	.313 ^{+0.015} / _{+0.000}	2.750 ^{+0.000} / _{-0.003}	3.250 ±.001	20.07
MCU-2756-G	2-3/4	3-1/2	3/8	.375 ^{+0.015} / _{+0.000}	2.750 ^{+0.000} / _{-0.003}	3.500 ±.001	18.20
MCU-2755-D	2-3/4	3-3/4	1/2	.500 ^{+0.015} / _{+0.000}	2.750 ^{+0.000} / _{-0.003}	3.750 ±.001	21.86
MCU-2758-D	2-3/4	3-1/2	1/2	.500 ^{+0.015} / _{+0.000}	2.750 ^{+0.000} / _{-0.003}	3.500 ±.001	26.32
MCU-3002-D	3	3-3/4	1/4	.250 ^{+0.015} / _{+0.000}	3.000 ^{+0.000} / _{-0.004}	3.750 ±.001	20.63
MCU-3000-D	3	3-1/2	5/16	.313 ^{+0.015} / _{+0.000}	3.000 ^{+0.000} / _{-0.004}	3.500 ±.001	20.63
MCU-3008-D	3	4	1/2	.500 ^{+0.015} / _{+0.000}	3.000 ^{+0.000} / _{-0.004}	4.000 ±.001	23.95
MCU-3125-D	3-1/8	3-3/4	3/8	.375 ^{+0.015} / _{+0.000}	3.125 ^{+0.000} / _{-0.004}	3.750 ±.001	18.38
MCU-3254-D	3-1/4	3-3/4	5/16	.313 ^{+0.015} / _{+0.000}	3.250 ^{+0.000} / _{-0.004}	3.750 ±.001	19.97
MCU-3256-D	3-1/4	3-7/8	5/16	.313 ^{+0.015} / _{+0.000}	3.250 ^{+0.000} / _{-0.004}	3.875 ±.001	19.97
MCU-3250-D	3-1/4	4-1/4	1/2	.500 ^{+0.015} / _{+0.000}	3.250 ^{+0.000} / _{-0.004}	4.250 ±.001	24.46
MCU-3375-D	3-3/8	4	5/16	.313 ^{+0.015} / _{+0.000}	3.375 ^{+0.000} / _{-0.004}	4.000 ±.001	15.95
MCU-3504-D	3-1/2	4-1/4	1/4	.250 ^{+0.015} / _{+0.000}	3.500 ^{+0.000} / _{-0.004}	4.250 ±.001	28.04
MCU-3500-D	3-1/2	4	5/16	.313 ^{+0.015} / _{+0.000}	3.500 ^{+0.000} / _{-0.004}	4.000 ±.001	20.07
MCU-3506-D	3-1/2	4-1/8	5/16	.313 ^{+0.015} / _{+0.000}	3.500 ^{+0.000} / _{-0.004}	4.125 ±.001	27.53
MCU-3508-D	3-1/2	4-1/2	1/2	.500 ^{+0.015} / _{+0.000}	3.500 ^{+0.000} / _{-0.004}	4.500 ±.001	28.51
MCU-3750-D	3-3/4	4-1/4	5/16	.313 ^{+0.015} / _{+0.000}	3.750 ^{+0.000} / _{-0.004}	4.250 ±.001	32.84
MCU-3754-D	3-3/4	4-3/8	5/16	.313 ^{+0.015} / _{+0.000}	3.750 ^{+0.000} / _{-0.004}	4.375 ±.001	33.13
MCU-3755-D	3-3/4	4-1/2	5/16	.313 ^{+0.015} / _{+0.000}	3.750 ^{+0.000} / _{-0.004}	4.500 ±.001	26.00
MCU-3751-D	3-3/4	4-3/4	1/2	.500 ^{+0.015} / _{+0.000}	3.750 ^{+0.000} / _{-0.004}	4.750 ±.001	24.42
MCU-4002-D	4	4-3/4	5/16	.313 ^{+0.015} / _{+0.000}	4.000 ^{+0.000} / _{-0.004}	4.750 ±.001	39.85
MCU-4005-D	4	4-5/8	5/16	.313 ^{+0.015} / _{+0.000}	4.000 ^{+0.000} / _{-0.004}	4.625 ±.001	38.77
MCU-4000-D	4	5	1/2	.500 ^{+0.015} / _{+0.000}	4.000 ^{+0.000} / _{-0.004}	5.000 ±.001	31.33
MCU-4252-D	4-1/4	4-3/4	5/16	.313 ^{+0.015} / _{+0.000}	4.250 ^{+0.000} / _{-0.004}	4.750 ±.001	31.99
MCU-4250-D	4-1/4	5-1/4	1/2	.500 ^{+0.015} / _{+0.000}	4.250 ^{+0.000} / _{-0.004}	5.250 ±.001	40.18
MCU-4375-D	4-3/8	5	5/16	.313 ^{+0.015} / _{+0.000}	4.375 ^{+0.000} / _{-0.004}	5.000 ±.001	47.59
MCU-4505-D	4-1/2	5-1/8	5/16	.313 ^{+0.015} / _{+0.000}	4.500 ^{+0.000} / _{-0.004}	5.125 ±.001	53.73
MCU-4506-G	4-1/2	5-1/4	5/16	.313 ^{+0.015} / _{+0.000}	4.500 ^{+0.000} / _{-0.004}	5.250 ±.001	32.18
MCU-4507-D	4-1/2	5-1/2	5/16	.313 ^{+0.015} / _{+0.000}	4.500 ^{+0.000} / _{-0.004}	5.500 ±.001	25.76
MCU-4508-D	4-1/2	5-1/2	1/2	.500 ^{+0.015} / _{+0.000}	4.500 ^{+0.000} / _{-0.004}	5.500 ±.001	53.73

STYLE MCU HEAVY DUTY METAL CLAD WIPER RINGS



Part Number	A Nom. ID	B Nom. OD	C Nom. Ht	D GROOVE WIDTH	E ROD DIAMETER	G HOUSING DIAMETER	List Price
MCU-4751-D	4-3/4	5-3/8	5/16	.313 ^{+0.015} / _{+0.000}	4.750 ^{+0.000} / _{-0.004}	5.375 ±.001	42.78
MCU-4750-D	4-3/4	5-3/4	1/2	.500 ^{+0.015} / _{+0.000}	4.750 ^{+0.000} / _{-0.004}	5.750 ±.001	43.82
MCU-5000-D	5	5-3/4	5/16	.313 ^{+0.015} / _{+0.000}	5.000 ^{+0.000} / _{-0.004}	5.750 ±.001	42.78
MCU-5001-G	5	5-5/8	5/16	.313 ^{+0.015} / _{+0.000}	5.000 ^{+0.000} / _{-0.004}	5.625 ±.001	40.93
MCU-5002-D	5	6	1/2	.500 ^{+0.015} / _{+0.000}	5.000 ^{+0.000} / _{-0.004}	6.000 ±.001	58.17
MCU-5250-D	5-1/4	6	5/16	.313 ^{+0.015} / _{+0.000}	5.250 ^{+0.000} / _{-0.004}	6.000 ±.001	61.83
MCU-5502-G	5-1/2	6-1/4	5/16	.313 ^{+0.015} / _{+0.000}	5.500 ^{+0.000} / _{-0.004}	6.250 ±.001	48.49
MCU-5500-D	5-1/2	6-1/8	3/8	.375 ^{+0.015} / _{+0.000}	5.500 ^{+0.000} / _{-0.004}	6.125 ±.001	46.73
MCU-5750-D	5-3/4	6-3/8	3/8	.375 ^{+0.015} / _{+0.000}	5.750 ^{+0.000} / _{-0.004}	6.375 ±.001	65.29
MCU-5751-D	5-3/4	6-3/4	1/2	.500 ^{+0.015} / _{+0.000}	5.750 ^{+0.000} / _{-0.004}	6.750 ±.001	38.13
MCU-6001-D	6	6-5/8	3/8	.375 ^{+0.015} / _{+0.000}	6.000 ^{+0.000} / _{-0.004}	6.625 ±.001	62.19
MCU-6002-D	6	7	1/2	.500 ^{+0.015} / _{+0.000}	6.000 ^{+0.000} / _{-0.004}	7.000 ±.001	79.12
MCU-6250-D	6-1/4	6-3/4	5/16	.313 ^{+0.015} / _{+0.000}	6.250 ^{+0.000} / _{-0.004}	6.750 ±.001	92.98
MCU-6503-D	6-1/2	7-1/4	5/16	.313 ^{+0.015} / _{+0.000}	6.500 ^{+0.000} / _{-0.004}	7.250 ±.001	77.73
MCU-6500-D	6-1/2	7-1/2	5/8	.625 ^{+0.015} / _{+0.000}	6.500 ^{+0.000} / _{-0.004}	7.500 ±.001	61.13
MCU-6751-D	6-3/4	7-1/4	5/16	.313 ^{+0.015} / _{+0.000}	6.750 ^{+0.000} / _{-0.004}	7.250 ±.001	77.73
MCU-6750-G	6-3/4	7-3/8	3/8	.375 ^{+0.015} / _{+0.000}	6.750 ^{+0.000} / _{-0.004}	7.375 ±.001	79.89
MCU-6000-D	6-3/4	7-3/4	1/2	.500 ^{+0.015} / _{+0.000}	6.750 ^{+0.000} / _{-0.004}	7.750 ±.001	61.84
MCU-6753-D	6-3/4	7-3/4	1/2	.500 ^{+0.015} / _{+0.000}	6.750 ^{+0.000} / _{-0.004}	7.750 ±.001	59.44
MCU-7000-G	7	7-3/4	5/16	.313 ^{+0.015} / _{+0.000}	7.000 ^{+0.000} / _{-0.005}	7.750 ±.001	81.22
MCU-7002-D	7	8	1/2	.500 ^{+0.015} / _{+0.000}	7.000 ^{+0.000} / _{-0.005}	8.000 ±.001	138.61
MCU-8000-D	8	8-3/4	3/8	.375 ^{+0.015} / _{+0.000}	8.000 ^{+0.000} / _{-0.005}	8.750 ±.001	102.24
MCU-8120-D	8-1/8	8-5/8	5/16	.313 ^{+0.015} / _{+0.000}	8.125 ^{+0.000} / _{-0.005}	8.625 ±.001	176.28
MCU-11000-D	11	12	.55	.550 ^{+0.015} / _{+0.000}	11.000 ^{+0.000} / _{-0.006}	12.000 ±.001	112.26
MCU-12500-D	12-1/2	13-1/2	.55	.550 ^{+0.015} / _{+0.000}	12.500 ^{+0.000} / _{-0.006}	13.500 ±.001	117.24
MCU-13500-D	13-1/2	14-1/2	.55	.550 ^{+0.015} / _{+0.000}	13.500 ^{+0.000} / _{-0.006}	14.500 ±.001	120.35

STYLE MCN METAL CLAD WIPERS - RUBBER LIP



SEAL INFORMATION

MATERIAL	RUBBER
TEMPERATURE RANGE	-40° TO +240° F
SPEED	3 FT/SEC
PART NUMBER	(Prefix) - (Size)

Part Number	A Nom. ID	B Nom. OD	C Nom. Ht	D GROOVE WIDTH	E ROD DIAMETER	G HOUSING DIAMETER	List Price
MCN-0500	1/2	11/16	3/32	.094 ±.015	.500 ±.003	.688 ±.001	\$2.54
MCN-0501	1/2	3/4	1/8	.125 ±.015	.500 ±.003	.750 ±.001	3.75
MCN-0626	5/8	7/8	1/8	.125 ±.015	.625 ±.003	.875 ±.001	2.89
MCN-0625	5/8	15/16	3/16	.188 ±.015	.625 ±.003	.938 ±.001	2.89
MCN-0751	3/4	1	1/8	.125 ±.015	.750 ±.003	1.000 ±.001	3.16
MCN-0750	3/4	1-1/4	1/4	.250 ±.015	.750 ±.003	1.250 ±.001	2.92
MCN-0873	7/8	1-1/8	1/8	.125 ±.015	.875 ±.003	1.125 ±.001	3.05
MCN-0875	7/8	1-1/4	3/16	.188 ±.015	.875 ±.003	1.250 ±.001	4.94
MCN-1001	1	1-1/4	1/8	.125 ±.015	1.000 ±.003	1.250 ±.001	3.05
MCN-1006	1	1-5/16	1/8	.125 ±.015	1.000 ±.003	1.313 ±.001	5.97
MCN-1003	1	1-3/8	3/16	.188 ±.015	1.000 ±.003	1.375 ±.001	3.52
MCN-1005	1	1-1/2	3/16	.188 ±.015	1.000 ±.003	1.500 ±.001	2.94
MCN-1004	1	1-7/16	1/4	.250 ±.015	1.000 ±.003	1.438 ±.001	4.09
MCN-1060	1-1/16	1-1/2	3/16	.188 ±.015	1.062 ±.003	1.500 ±.001	3.98
MCN-1126	1-1/8	1-3/8	1/8	.125 ±.015	1.125 ±.003	1.375 ±.001	2.94
MCN-1125	1-1/8	1-1/2	3/16	.188 ±.015	1.125 ±.003	1.500 ±.001	4.54
MCN-1127	1-1/8	1-9/16	1/4	.250 ±.015	1.125 ±.003	1.563 ±.001	3.17
MCN-1129	1-1/8	1-5/8	1/4	.250 ±.015	1.125 ±.003	1.625 ±.001	2.94
MCN-1251	1-1/4	1-1/2	1/8	.125 ±.015	1.250 ±.003	1.500 ±.001	2.94
MCN-1253	1-1/4	1-11/16	3/16	.188 ±.015	1.250 ±.003	1.688 ±.001	3.17
MCN-1254	1-1/4	1-3/4	1/4	.250 ±.015	1.250 ±.003	1.750 ±.001	4.07
MCN-1255	1-1/4	1-7/8	1/4	.250 ±.015	1.250 ±.003	1.875 ±.001	4.63
MCN-1256	1-1/4	1-5/8	1/4	.250 ±.015	1.250 ±.003	1.625 ±.001	3.27
MCN-1377	1-3/8	1-5/8	1/8	.125 ±.015	1.375 ±.003	1.625 ±.001	5.00
MCN-1375	1-3/8	1-3/4	3/16	.188 ±.015	1.375 ±.003	1.750 ±.001	3.17
MCN-1376	1-3/8	1-7/8	1/4	.250 ±.015	1.375 ±.003	1.875 ±.001	4.59
MCN-1503	1-1/2	1-7/8	3/16	.188 ±.015	1.500 ±.003	1.875 ±.001	3.17
MCN-1502	1-1/2	1-7/8	1/4	.250 ±.015	1.500 ±.003	1.875 ±.001	3.47
MCN-1504	1-1/2	2	1/4	.250 ±.015	1.500 ±.003	2.000 ±.001	3.56
MCN-1625	1-5/8	2-1/8	1/4	.250 ±.015	1.625 ±.003	2.125 ±.001	4.85
MCN-1626	1-5/8	2-5/8	1/4	.250 ±.015	1.625 ±.003	2.625 ±.001	13.09

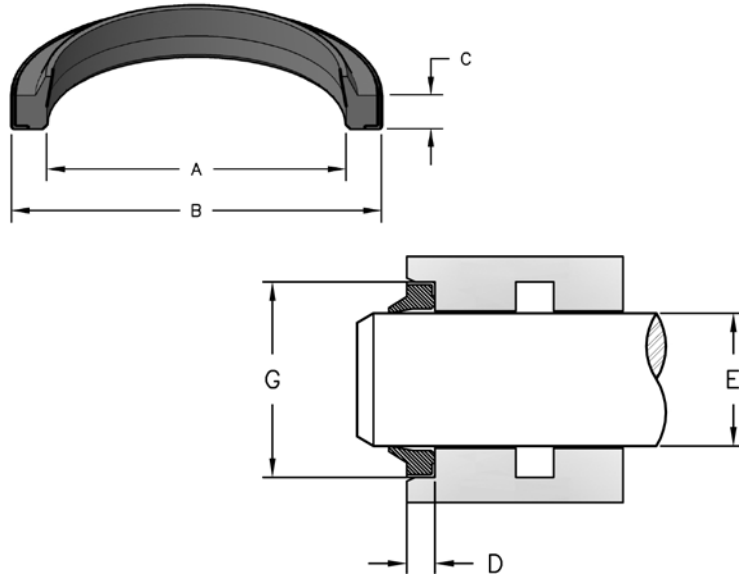
STYLE MCN METAL CLAD WIPERS - RUBBER LIP



Part Number	A Nom. ID	B Nom. OD	C Nom. Ht	D GROOVE WIDTH	E ROD DIAMETER	G HOUSING DIAMETER	List Price
MCN-1753	1-3/4	2-1/8	3/16	.188 ±.015	1.750 ±.003	2.125 ±.001	7.62
MCN-1754	1-3/4	2-1/4	1/4	.250 ±.015	1.750 ±.003	2.250 ±.001	5.16
MCN-1755	1-3/4	2-3/8	1/4	.250 ±.015	1.750 ±.003	2.375 ±.001	5.27
MCN-1756	1-3/4	2-5/8	1/4	.250 ±.015	1.750 ±.003	2.625 ±.001	5.41
MCN-1877	1-7/8	2-1/4	3/16	.188 ±.015	1.875 ±.003	2.250 ±.001	8.64
MCN-1879	1-7/8	2-1/2	1/4	.250 ±.015	1.875 ±.003	2.500 ±.001	5.59
MCN-2001	2	2-3/8	3/16	.188 ±.015	2.000 ±.003	2.375 ±.001	5.59
MCN-2002	2	2-5/8	1/4	.250 ±.015	2.000 ±.003	2.625 ±.001	5.76
MCN-2003	2	2-1/2	1/4	.250 ±.015	2.000 ±.003	2.500 ±.001	5.49
MCN-2006	2	2-3/4	1/4	.250 ±.015	2.000 ±.003	2.750 ±.001	7.41
MCN-2007	2	2-7/8	15/32	.469 ±.015	2.000 ±.003	2.875 ±.001	10.67
MCN-2125	2-1/8	2-1/2	3/16	.188 ±.015	2.125 ±.003	2.500 ±.001	6.58
MCN-2251	2-1/4	2-5/8	1/4	.250 ±.015	2.250 ±.003	2.625 ±.001	6.58
MCN-2253	2-1/4	2-3/4	1/4	.250 ±.015	2.250 ±.003	2.750 ±.001	6.58
MCN-2255	2-1/4	2-7/8	1/4	.250 ±.015	2.250 ±.003	2.875 ±.001	6.58
MCN-2371	2-3/8	3	1/4	.250 ±.015	2.375 ±.003	3.000 ±.001	6.82
MCN-2501	2-1/2	3	1/4	.250 ±.015	2.500 ±.003	3.000 ±.001	6.74
MCN-2504	2-1/2	3-1/8	1/4	.250 ±.015	2.500 ±.003	3.125 ±.001	8.86
MCN-2660	2.66	3-1/4	3/8	.375 ±.015	2.660 ±.003	3.250 ±.001	6.14
MCN-2751	2-3/4	3-1/8	3/16	.188 ±.015	2.750 ±.003	3.125 ±.001	6.56
MCN-2750	2-3/4	3-1/4	1/4	.250 ±.015	2.750 ±.003	3.250 ±.001	7.73
MCN-2756	2-3/4	3-3/4	3/8	.375 ±.015	2.750 ±.003	3.750 ±.001	9.71
MCN-3001	3	3-1/2	1/4	.250 ±.015	3.000 ±.003	3.500 ±.001	7.34
MCN-3003	3	3-3/4	1/4	.250 ±.015	3.000 ±.003	3.750 ±.001	8.12
MCN-3504	3-1/2	4	1/4	.250 ±.015	3.500 ±.003	4.000 ±.001	10.38

Seal color may vary. Special order sizes are available.

STYLE CWN METAL CLAD WIPERS



SEAL INFORMATION

MATERIAL	BUNA-N
TEMPERATURE RANGE	-22° TO +212° F
SPEED	3 FT/SEC
PART NUMBER	(Prefix) - (Size)

Part Number	A Nom. ID	B Nom. OD	C Nom. Ht	D GROOVE WIDTH	E ROD DIAMETER	G HOUSING DIAMETER	List Price
CWN-075	3/4	1-1/8	3/16	.187 ^{+0.015} / _{+0.000}	.750	1.125 ±.001	\$2.37
CWN-100	1	1-3/8	3/16	.187 ^{+0.015} / _{+0.000}	1.000	1.375 ±.001	2.71
CWN-112	1-1/8	1-1/2	3/16	.187 ^{+0.015} / _{+0.000}	1.125	1.500 ±.001	2.59
CWN-125	1-1/4	1-5/8	3/16	.187 ^{+0.015} / _{+0.000}	1.250	1.625 ±.001	2.69
CWN-150	1-1/2	1-7/8	3/16	.187 ^{+0.015} / _{+0.000}	1.500	1.875 ±.001	2.79
CWN-175	1-3/4	2-1/8	3/16	.187 ^{+0.015} / _{+0.000}	1.750	2.125 ±.001	3.33
CWN-200	2	2-3/8	3/16	.187 ^{+0.015} / _{+0.000}	2.000	2.375 ±.001	4.54
CWN-225	2-1/4	2-5/8	3/16	.187 ^{+0.015} / _{+0.000}	2.250	2.625 ±.001	4.67
CWN-250	2-1/2	2-7/8	3/16	.187 ^{+0.015} / _{+0.000}	2.500	2.875 ±.001	4.75
CWN-275	2-3/4	3-1/8	3/16	.187 ^{+0.015} / _{+0.000}	2.750	3.125 ±.001	5.80
CWN-300	3	3-3/8	3/16	.187 ^{+0.015} / _{+0.000}	3.000	3.375 ±.001	5.38

Seal color may vary. Special order sizes are available.