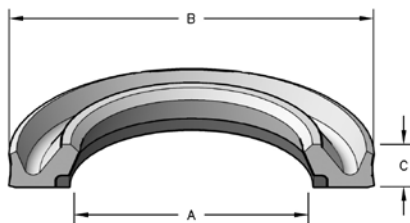


STYLE MYR BUFFER SEALS

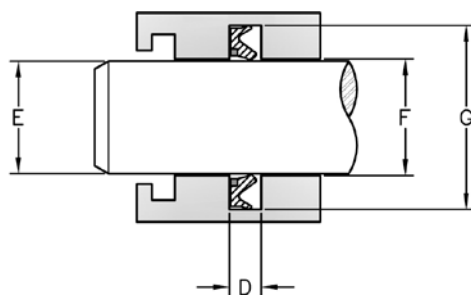
Molded in urethane and employing a back-up, this seal absorbs the shock of pressure spikes to protect the rod seal. The unique design relieves back pressure between the buffer and the rod seal.

NOTE: ME = Merkel Equivalent.



PART NUMBERS

MYR - 40 X 50.7 X 3.9
 Type of Seal: MYR
 Inside Diameter: 40
 Housing Diameter: 50.7
 Height: 3.9



SEAL INFORMATION	
MATERIAL	URETHANE BUFFER NYLON BACK-UP
TEMPERATURE RANGE	-30° TO +220° F
PRESSURE RANGE	0 TO 7,000 PSI
SPEED	3 FT/SEC

Part Number	A Nom. ID	B Nom. OD	C Nom. Ht	D GROOVE WIDTH	E ROD DIAMETER	F THROAT DIAMETER	G HOUSING DIAMETER	List Price
MYR-40X50.7X3.9	40	50.7	3.9	4.20 +0.20 +0.00	40.00 -0.025 -0.064	40.00 +0.062 +0.000	50.70 +0.20 +0.00	\$45.67
MYR-40X55.1X5.9-ME	40	55	5.9	6.30 +0.20 +0.00	40.00 -0.025 -0.064	40.00 +0.062 +0.000	55.00 +0.074 +0.000	25.30
MYR-40X55.5X5.9	40	55.5	5.9	6.30 +0.20 +0.00	40.00 -0.025 -0.064	40.00 +0.062 +0.000	55.50 +0.20 +0.00	9.06
MYR-45X55.7X3.9	45	55.7	3.9	4.20 +0.20 +0.00	45.00 -0.025 -0.064	45.00 +0.062 +0.000	55.70 +0.20 +0.00	49.87
MYR-45X60.1X5.9-ME	45	60.1	5.9	6.30 +0.20 +0.00	45.00 -0.025 -0.064	45.00 +0.062 +0.000	60.10 +0.074 +0.000	25.55
MYR-45X60.5X5.9	45	60.5	5.9	6.30 +0.20 +0.00	45.00 -0.025 -0.064	45.00 +0.062 +0.000	60.50 +0.20 +0.00	9.57
MYR-50X62.9X3.6	50	62.9	3.6	3.60 +0.20 +0.00	50.00 -0.025 -0.064	50.00 +0.062 +0.000	62.90 +0.20 +0.00	28.12
MYR-50X65.1X5.9-ME	50	65.1	5.9	6.30 +0.20 +0.00	50.00 -0.025 -0.064	50.00 +0.062 +0.000	65.10 +0.074 +0.000	26.85
MYR-50X65.5X5.9	50	65.5	5.9	6.30 +0.20 +0.00	50.00 -0.025 -0.064	50.00 +0.062 +0.000	65.50 +0.20 +0.00	18.46
MYR-55X70.1X5.9-ME	55	70.1	5.9	6.30 +0.20 +0.00	55.00 -0.030 +0.924	55.00 +0.074 +0.000	70.10 +0.074 +0.000	28.96
MYR-55X70.5X5.9	55	70.5	5.9	6.30 +0.20 +0.00	55.00 -0.030 -0.076	55.00 +0.074 +0.000	70.50 +0.20 +0.00	18.57
MYR-56X71.1X5.9-ME	56	71.1	5.9	6.30 +0.20 +0.00	56.00 -0.030 -0.076	56.00 +0.074 +0.000	71.10 +0.074 +0.000	26.58
MYR-56X71.5X5.9	56	71.5	5.9	6.30 +0.20 +0.00	56.00 -0.030 -0.076	56.00 +0.074 +0.000	71.50 +0.20 +0.00	31.92
MYR-60X75.1X5.9-ME	60	75.1	5.9	6.30 +0.20 +0.00	60.00 -0.030 -0.076	60.00 +0.074 +0.000	75.10 +0.074 +0.000	29.25
MYR-60X75.5X5.9	60	75.5	5.9	6.30 +0.20 +0.00	60.00 -0.030 -0.076	60.00 +0.074 +0.000	75.50 +0.20 +0.00	26.37
MYR-63X78.1X5.9-ME	63	78.1	5.9	6.30 +0.20 +0.00	63.00 -0.030 -0.076	63.00 +0.074 +0.000	78.10 +0.074 +0.000	29.25
MYR-63X78.5X5.9	63	78.5	5.9	6.30 +0.20 +0.00	63.00 -0.030 -0.076	63.00 +0.074 +0.000	78.50 +0.20 +0.00	20.65

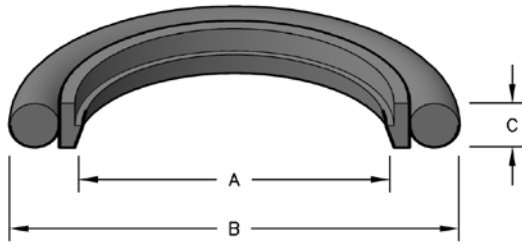
STYLE MYR BUFFER SEALS



Part Number	A Nom. ID	B Nom. OD	C Nom. Ht	D GROOVE WIDTH	E ROD DIAMETER	F THROAT DIAMETER	G HOUSING DIAMETER	List Price
MYR-65X80.5X5.9	65	80.5	5.9	6.30 ^{+0.20} / _{+0.00}	65.00 ^{-0.030} / _{-0.076}	65.00 ^{+0.074} / _{+0.000}	80.50 ^{+0.20} / _{+0.00}	31.36
MYR-70X85.1X5.9-ME	70	85.1	5.9	6.30 ^{+0.20} / _{+0.00}	70.00 ^{-0.030} / _{-0.076}	70.00 ^{+0.074} / _{+0.000}	85.10 ^{+0.087} / _{+0.000}	37.30
MYR-70X85.5X5.9	70	85.5	5.9	6.30 ^{+0.20} / _{+0.00}	70.00 ^{-0.030} / _{-0.076}	70.00 ^{+0.074} / _{+0.000}	85.50 ^{+0.20} / _{+0.00}	34.23
MYR-75X91.3X5.6	75	91.28	5.6	5.60 ^{+0.20} / _{+0.00}	75.00 ^{-0.030} / _{-0.076}	75.00 ^{+0.074} / _{+0.000}	91.28 ^{+0.20} / _{+0.00}	91.94
MYR-75X90.5X5.9	75	90.5	5.9	6.30 ^{+0.20} / _{+0.00}	75.00 ^{-0.030} / _{-0.076}	75.00 ^{+0.074} / _{+0.000}	90.50 ^{+0.20} / _{+0.00}	36.39
MYR-80X96.3X5.6	80	96.28	5.6	5.60 ^{+0.20} / _{+0.00}	80.00 ^{-0.030} / _{-0.076}	80.00 ^{+0.074} / _{+0.000}	96.28 ^{+0.20} / _{+0.00}	94.25
MYR-80X95.1X5.9-ME	80	95.1	5.9	6.30 ^{+0.20} / _{+0.00}	80.00 ^{-0.030} / _{-0.076}	80.00 ^{+0.074} / _{+0.000}	95.10 ^{+0.087} / _{+0.000}	44.12
MYR-80X95.5X5.9	80	95.5	5.9	6.30 ^{+0.20} / _{+0.00}	80.00 ^{-0.030} / _{-0.076}	80.00 ^{+0.074} / _{+0.000}	95.50 ^{+0.20} / _{+0.00}	38.54
MYR-85X100.5X5.9	85	100.5	5.9	6.30 ^{+0.20} / _{+0.00}	85.00 ^{-0.036} / _{-0.090}	85.00 ^{+0.087} / _{+0.000}	100.50 ^{+0.20} / _{+0.00}	41.35
MYR-90X105.5X5.9	90	105.5	5.9	6.30 ^{+0.20} / _{+0.00}	90.00 ^{-0.036} / _{-0.090}	90.00 ^{+0.087} / _{+0.000}	105.50 ^{+0.20} / _{+0.00}	49.91
MYR-95X110.5X5.9	95	110.5	5.9	6.30 ^{+0.20} / _{+0.00}	95.00 ^{-0.036} / _{-0.090}	95.00 ^{+0.087} / _{+0.000}	110.50 ^{+0.20} / _{+0.00}	52.69
MYR-100X115.5X5.9	100	115.5	5.9	6.30 ^{+0.20} / _{+0.00}	100.00 ^{-0.036} / _{-0.090}	100.00 ^{+0.087} / _{+0.000}	115.50 ^{+0.20} / _{+0.00}	54.21
MYR-105X120.5X5.9	105	120.5	5.9	6.30 ^{+0.20} / _{+0.00}	105.00 ^{-0.036} / _{-0.090}	105.00 ^{+0.087} / _{+0.000}	120.50 ^{+0.20} / _{+0.00}	56.18
MYR-110X125.5X5.9	110	125.5	5.9	6.30 ^{+0.20} / _{+0.00}	110.00 ^{-0.036} / _{-0.090}	110.00 ^{+0.087} / _{+0.000}	125.50 ^{+0.20} / _{+0.00}	58.49
MYR-115X130.5X5.9	115	130.5	5.9	6.30 ^{+0.20} / _{+0.00}	115.00 ^{-0.036} / _{-0.090}	115.00 ^{+0.087} / _{+0.000}	130.50 ^{+0.20} / _{+0.00}	32.26
MYR-115X130.5X6-HT	115	130.5	6	6.30 ^{+0.20} / _{+0.00}	115.00 ^{-0.036} / _{-0.090}	115.00 ^{+0.087} / _{+0.000}	130.50 ^{+0.20} / _{+0.00}	112.12
MYR-120X135.5X5.9	120	135.5	5.9	6.30 ^{+0.20} / _{+0.00}	120.00 ^{-0.036} / _{-0.090}	120.00 ^{+0.087} / _{+0.000}	135.50 ^{+0.20} / _{+0.00}	63.50
MYR-125X140.5X5.9	125	140.5	5.9	6.30 ^{+0.20} / _{+0.00}	125.00 ^{-0.043} / _{-0.106}	125.00 ^{+0.10} / _{+0.00}	140.50 ^{+0.20} / _{+0.00}	31.89
MYR-130X145.5X5.9	130	145.5	5.9	6.30 ^{+0.20} / _{+0.00}	130.00 ^{-0.043} / _{-0.106}	130.00 ^{+0.10} / _{+0.00}	145.50 ^{+0.20} / _{+0.00}	98.56
MYR-140X155.5X5.9	140	155.5	5.9	6.30 ^{+0.20} / _{+0.00}	140.00 ^{-0.043} / _{-0.106}	140.00 ^{+0.10} / _{+0.00}	155.50 ^{+0.20} / _{+0.00}	160.49
MYR-140X160X8-HT	140	160	8	8.30 ^{+0.20} / _{+0.00}	140.00 ^{-0.043} / _{-0.106}	140.00 ^{+0.10} / _{+0.00}	160.00 ^{+0.20} / _{+0.00}	289.71
MYR-150X165.5X5.9	150	165.5	5.9	6.30 ^{+0.20} / _{+0.00}	150.00 ^{-0.043} / _{-0.106}	150.00 ^{+0.10} / _{+0.00}	165.50 ^{+0.20} / _{+0.00}	105.20
MYR-155X170.5X5.9	155	170.5	5.9	6.30 ^{+0.20} / _{+0.00}	155.00 ^{-0.043} / _{-0.106}	155.00 ^{+0.10} / _{+0.00}	170.50 ^{+0.20} / _{+0.00}	107.73
MYR-160X175.5X5.9	160	175.5	5.9	6.30 ^{+0.20} / _{+0.00}	160.00 ^{-0.043} / _{-0.106}	160.00 ^{+0.10} / _{+0.00}	175.50 ^{+0.20} / _{+0.00}	161.30
MYR-160X180X8-HT	160	180	8	8.30 ^{+0.20} / _{+0.00}	160.00 ^{-0.043} / _{-0.106}	160.00 ^{+0.10} / _{+0.00}	180.00 ^{+0.20} / _{+0.00}	303.50
MYR-165X180.5X5.9	165	180.5	5.9	6.30 ^{+0.20} / _{+0.00}	165.00 ^{-0.043} / _{-0.106}	165.00 ^{+0.10} / _{+0.00}	180.50 ^{+0.20} / _{+0.00}	171.70
MYR-170X185.5X5.9	170	185.5	5.9	6.30 ^{+0.20} / _{+0.00}	170.00 ^{-0.043} / _{-0.106}	170.00 ^{+0.10} / _{+0.00}	185.50 ^{+0.20} / _{+0.00}	227.44
MYR-180X195.5X5.9	180	195.5	5.9	6.30 ^{+0.20} / _{+0.00}	180.00 ^{-0.043} / _{-0.106}	180.00 ^{+0.10} / _{+0.00}	195.50 ^{+0.20} / _{+0.00}	317.41
MYR-190X205.5X5.9	190	205.5	5.9	6.30 ^{+0.20} / _{+0.00}	190.00 ^{-0.050} / _{-0.122}	190.00 ^{+0.115} / _{+0.000}	205.50 ^{+0.20} / _{+0.00}	178.97
MYR-200X220X8-HT	200	220	8	8.30 ^{+0.20} / _{+0.00}	200.00 ^{-0.050} / _{-0.122}	200.00 ^{+0.115} / _{+0.000}	220.00 ^{+0.20} / _{+0.00}	331.11

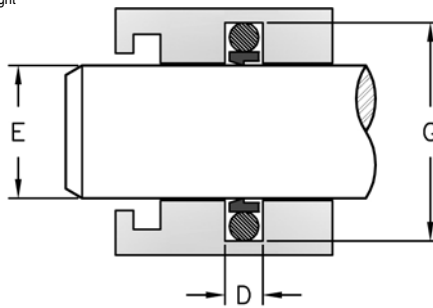
STYLE MKR BUFFER SEALS

Molded in PTFE with a rubber energizer, this seal absorbs the shock of pressure spikes to protect the rod seal.



PART NUMBERS

MKR - 08 X 13 X 2
 Type of Seal: MKR
 Inside Diameter: 08
 Outside Diameter: 13
 Height: 2



SEAL INFORMATION	
MATERIAL	FILLED PTFE BUFFER 70A NITRILE ENERGIZER
TEMPERATURE RANGE	-40° TO +220° F
PRESSURE RANGE	0 TO 5,000 PSI
SPEED	12 FT/SEC

Part Number	A Nom. ID	B Nom. OD	C Nom. Ht	D GROOVE WIDTH	E ROD DIAMETER	G HOUSING DIAMETER	List Price
MKR-08X13X2	8	13	2	2.20 +0.20 +0.00	8.00 -0.013 -0.035	13.00 +0.20 +0.00	\$11.94
MKR-08X15.5X3	8	15.5	3	3.20 +0.20 +0.00	8.00 -0.013 -0.035	15.50 +0.20 +0.00	11.81
MKR-12X17X2	12	17	2	2.20 +0.20 +0.00	12.00 -0.016 -0.043	17.00 +0.20 +0.00	5.23
MKR-12X19.5X3	12	19.5	3	3.20 +0.20 +0.00	12.00 -0.016 -0.043	19.50 +0.20 +0.00	10.83
MKR-14X21.5X3	14	21.5	3	3.20 +0.20 +0.00	14.00 -0.016 -0.043	21.50 +0.20 +0.00	7.83
MKR-15X22.5X3	15	22.5	3	3.20 +0.20 +0.00	15.00 -0.016 -0.043	22.50 +0.20 +0.00	10.83
MKR-16X23.5X3	16	23.5	3	3.20 +0.20 +0.00	16.00 -0.016 -0.043	23.50 +0.20 +0.00	5.23
MKR-18X23X2	18	23	2	2.20 +0.20 +0.00	18.00 -0.016 -0.043	23.00 +0.20 +0.00	10.15
MKR-18X25.5X3	18	25.5	3	3.20 +0.20 +0.00	18.00 -0.016 -0.043	25.50 +0.20 +0.00	5.48
MKR-20X27.5X3	20	27.5	3	3.20 +0.20 +0.00	20.00 -0.020 -0.053	27.50 +0.20 +0.00	7.70
MKR-20X31X4	20	31	4	4.20 +0.20 +0.00	20.00 -0.020 -0.053	31.00 +0.20 +0.00	7.70
MKR-22X29.5X3	22	29.5	3	3.20 +0.20 +0.00	22.00 -0.020 -0.053	29.50 +0.20 +0.00	7.83
MKR-22X33X4	22	33	4	4.20 +0.20 +0.00	22.00 -0.020 -0.053	33.00 +0.20 +0.00	7.83
MKR-25X32.5X3	25	32.5	3	3.20 +0.20 +0.00	25.00 -0.020 -0.053	32.50 +0.20 +0.00	7.98
MKR-25X35.7X4	25	35.7	4	4.20 +0.20 +0.00	25.00 -0.020 -0.053	35.70 +0.20 +0.00	20.28
MKR-28X35.5X3	28	35.5	3	3.20 +0.20 +0.00	28.00 -0.020 -0.053	35.50 +0.20 +0.00	7.98
MKR-28X39X4	28	39	4	4.20 +0.20 +0.00	28.00 -0.020 -0.053	39.00 +0.20 +0.00	7.98

STYLE MKR BUFFER SEALS



Part Number	A Nom. ID	B Nom. OD	C Nom. Ht	D GROOVE WIDTH	E ROD DIAMETER	G HOUSING DIAMETER	List Price
MKR-30X37.5X3	30	37.5	3	3.20 ^{+0.20} / _{+0.00}	30.00 ^{-0.020} / _{-0.053}	37.50 ^{+0.20} / _{+0.00}	9.31
MKR-30X40.7X3.9	30	40.7	3.9	4.20 ^{+0.20} / _{+0.00}	30.00 ^{-0.020} / _{-0.053}	40.70 ^{+0.20} / _{+0.00}	25.59
MKR-32X39.5X3	32	39.5	3	3.20 ^{+0.20} / _{+0.00}	32.00 ^{-0.025} / _{-0.064}	39.50 ^{+0.20} / _{+0.00}	17.03
MKR-32X43X4	32	43	4	4.20 ^{+0.20} / _{+0.00}	32.00 ^{-0.025} / _{-0.064}	43.00 ^{+0.20} / _{+0.00}	8.51
MKR-35X42.5X3	35	42.5	3	3.20 ^{+0.20} / _{+0.00}	35.00 ^{-0.025} / _{-0.064}	42.50 ^{+0.20} / _{+0.00}	21.83
MKR-35X46X4	35	46	4	4.20 ^{+0.20} / _{+0.00}	35.00 ^{-0.025} / _{-0.064}	46.00 ^{+0.20} / _{+0.00}	9.20
MKR-36X43.5X3	36	43.5	3	3.20 ^{+0.20} / _{+0.00}	36.00 ^{-0.025} / _{-0.064}	43.50 ^{+0.20} / _{+0.00}	9.31
MKR-36X47X4	36	47	4	4.20 ^{+0.20} / _{+0.00}	36.00 ^{-0.025} / _{-0.064}	47.00 ^{+0.20} / _{+0.00}	9.20
MKR-40X51X4	40	51	4	4.20 ^{+0.20} / _{+0.00}	40.00 ^{-0.025} / _{-0.064}	51.00 ^{+0.20} / _{+0.00}	14.99
MKR-40X52.6X4	40	52.6	4	4.20 ^{+0.20} / _{+0.00}	40.00 ^{-0.025} / _{-0.064}	52.60 ^{+0.20} / _{+0.00}	25.93
MKR-40X55.5X5.9	40	55.5	5.9	6.30 ^{+0.20} / _{+0.00}	40.00 ^{-0.025} / _{-0.064}	55.50 ^{+0.20} / _{+0.00}	25.83
MKR-45X56X4	45	56	4	4.20 ^{+0.20} / _{+0.00}	45.00 ^{-0.025} / _{-0.064}	56.00 ^{+0.20} / _{+0.00}	18.26
MKR-45X57.6X4	45	57.6	4	4.20 ^{+0.20} / _{+0.00}	45.00 ^{-0.025} / _{-0.064}	57.60 ^{+0.20} / _{+0.00}	24.90
MKR-45X60.5X5.9	45	60.5	5.9	6.30 ^{+0.20} / _{+0.00}	45.00 ^{-0.025} / _{-0.064}	60.50 ^{+0.20} / _{+0.00}	18.26
MKR-50X60.8X4.2	50	60.8	3.9	4.20 ^{+0.20} / _{+0.00}	50.00 ^{-0.025} / _{-0.064}	60.80 ^{+0.20} / _{+0.00}	11.83
MKR-50X61X4	50	61	4	4.20 ^{+0.20} / _{+0.00}	50.00 ^{-0.025} / _{-0.064}	61.00 ^{+0.20} / _{+0.00}	18.26
MKR-50X62.6X4	50	62.6	4	4.20 ^{+0.20} / _{+0.00}	50.00 ^{-0.025} / _{-0.064}	62.60 ^{+0.20} / _{+0.00}	30.38
MKR-50X60X4.5	50	60	4.5	4.80 ^{+0.20} / _{+0.00}	50.00 ^{-0.025} / _{-0.064}	60.00 ^{+0.20} / _{+0.00}	23.87
MKR-50X65.5X5.9	50	65.5	5.9	6.30 ^{+0.20} / _{+0.00}	50.00 ^{-0.025} / _{-0.064}	65.50 ^{+0.20} / _{+0.00}	18.26
MKR-55X70.5X5.9	55	70.5	5.9	6.30 ^{+0.20} / _{+0.00}	55.00 ^{-0.030} / _{-0.076}	70.50 ^{+0.20} / _{+0.00}	30.45
MKR-56X68.6X4	56	68.6	4	4.20 ^{+0.20} / _{+0.00}	56.00 ^{-0.030} / _{-0.076}	68.60 ^{+0.20} / _{+0.00}	30.45
MKR-56X71.5X5.9	56	71.5	5.9	6.30 ^{+0.20} / _{+0.00}	56.00 ^{-0.030} / _{-0.076}	71.50 ^{+0.20} / _{+0.00}	21.97
MKR-60X71X4	60	71	4	4.20 ^{+0.20} / _{+0.00}	60.00 ^{-0.030} / _{-0.076}	71.00 ^{+0.20} / _{+0.00}	23.20
MKR-60X75.5X5.9	60	75.5	5.9	6.30 ^{+0.20} / _{+0.00}	60.00 ^{-0.030} / _{-0.076}	75.50 ^{+0.20} / _{+0.00}	30.45
MKR-63X75.6X3.9	63	75.6	3.9	4.20 ^{+0.20} / _{+0.00}	63.00 ^{-0.030} / _{-0.076}	75.60 ^{+0.20} / _{+0.00}	22.12
MKR-63X78.5X5.9	63	78.5	5.9	6.30 ^{+0.20} / _{+0.00}	63.00 ^{-0.030} / _{-0.076}	78.50 ^{+0.20} / _{+0.00}	25.14
MKR-65X80.5X5.9	65	80.5	5.9	6.30 ^{+0.20} / _{+0.00}	65.00 ^{-0.030} / _{-0.076}	80.50 ^{+0.20} / _{+0.00}	29.37
MKR-70X81X4	70	81	4	4.20 ^{+0.20} / _{+0.00}	70.00 ^{-0.030} / _{-0.076}	81.00 ^{+0.20} / _{+0.00}	26.92
MKR-70X86.28X5.23	70	86.28	5.23	5.59 ^{+0.20} / _{+0.00}	70.00 ^{-0.030} / _{-0.076}	86.28 ^{+0.20} / _{+0.00}	45.07
MKR-70X85.5X5.9	70	85.5	5.9	6.30 ^{+0.20} / _{+0.00}	70.00 ^{-0.030} / _{-0.076}	85.50 ^{+0.20} / _{+0.00}	34.11

STYLE MKR BUFFER SEALS

Part Number	A Nom. ID	B Nom. OD	C Nom. Ht	D GROOVE WIDTH	E ROD DIAMETER	G HOUSING DIAMETER	List Price
MKR-75X90.5X5.9	75	90.5	5.9	6.30 ^{+0.20} / _{+0.00}	75.00 ^{-0.030} / _{-0.076}	90.50 ^{+0.20} / _{+0.00}	36.40
MKR-80X95.5X5.9	80	95.5	5.9	6.30 ^{+0.20} / _{+0.00}	80.00 ^{-0.030} / _{-0.076}	95.50 ^{+0.20} / _{+0.00}	39.22
MKR-85X100.5X5.9	85	100.5	5.9	6.30 ^{+0.20} / _{+0.00}	85.00 ^{-0.036} / _{-0.090}	100.50 ^{+0.20} / _{+0.00}	38.73
MKR-90X105.5X5.9	90	105.5	5.9	6.30 ^{+0.20} / _{+0.00}	90.00 ^{-0.036} / _{-0.090}	105.50 ^{+0.20} / _{+0.00}	42.59
MKR-95X110.5X5.9	95	110.5	5.9	6.30 ^{+0.20} / _{+0.00}	95.00 ^{-0.036} / _{-0.090}	110.50 ^{+0.20} / _{+0.00}	43.96
MKR-100X115.5X5.9	100	115.5	5.9	6.30 ^{+0.20} / _{+0.00}	100.00 ^{-0.036} / _{-0.090}	115.50 ^{+0.20} / _{+0.00}	44.66
MKR-105X120.5X5.9	105	120.5	5.9	6.30 ^{+0.20} / _{+0.00}	105.00 ^{-0.036} / _{-0.090}	120.50 ^{+0.20} / _{+0.00}	50.81
MKR-110X125.5X5.9	110	125.5	5.9	6.30 ^{+0.20} / _{+0.00}	110.00 ^{-0.036} / _{-0.090}	125.50 ^{+0.20} / _{+0.00}	53.04
MKR-115X130.5X5.9	115	130.5	5.9	6.30 ^{+0.20} / _{+0.00}	115.00 ^{-0.036} / _{-0.090}	130.50 ^{+0.20} / _{+0.00}	52.88
MKR-120X135.5X5.9	120	135.5	5.9	6.30 ^{+0.20} / _{+0.00}	120.00 ^{-0.036} / _{-0.090}	135.50 ^{+0.20} / _{+0.00}	53.13
MKR-125X140.5X5.9	125	140.5	5.9	6.30 ^{+0.20} / _{+0.00}	125.00 ^{-0.043} / _{-0.106}	140.50 ^{+0.20} / _{+0.00}	53.72
MKR-130X145.5X5.9	130	145.5	5.9	6.30 ^{+0.20} / _{+0.00}	130.00 ^{-0.043} / _{-0.106}	145.50 ^{+0.20} / _{+0.00}	54.13
MKR-140X155.5X5.9	140	155.5	5.9	6.30 ^{+0.20} / _{+0.00}	140.00 ^{-0.043} / _{-0.106}	155.50 ^{+0.20} / _{+0.00}	51.68
MKR-150X165.5X5.9	150	165.5	5.9	6.30 ^{+0.20} / _{+0.00}	150.00 ^{-0.043} / _{-0.106}	165.50 ^{+0.20} / _{+0.00}	57.72
MKR-160X175.5X5.9	160	175.5	5.9	6.30 ^{+0.20} / _{+0.00}	160.00 ^{-0.043} / _{-0.106}	175.50 ^{+0.20} / _{+0.00}	59.40
MKR-160X180.5X8.1	160	180.5	7.9	8.10 ^{+0.20} / _{+0.00}	160.00 ^{-0.043} / _{-0.106}	180.50 ^{+0.20} / _{+0.00}	64.77
MKR-170X185.5X5.9	170	185.5	5.9	6.30 ^{+0.20} / _{+0.00}	170.00 ^{-0.043} / _{-0.106}	185.50 ^{+0.20} / _{+0.00}	73.03
MKR-170X190.5X8.1	170	190.5	7.9	8.10 ^{+0.20} / _{+0.00}	170.00 ^{-0.043} / _{-0.106}	190.50 ^{+0.20} / _{+0.00}	80.21

Seal color may vary. Special order sizes are available.

CUSTOM MANUFACTURED STYLE MKR BUFFER SEALS



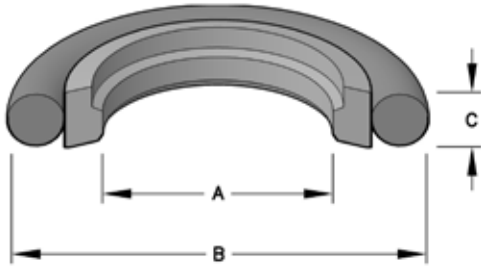
Part Number	List Price
MKR-8X15.3X3.2	\$ 7.93
MKR-14X18.9X2.2	5.50
MKR-19X26.5X3.2	27.00
MKR-19X29.8X4.2	27.00
MKR-24X34.7X4.2	7.21
MKR-26X36.7X4.2	7.57
MKR-36X47.7X4.2	10.21
MKR-37.4X47.7X4.2	12.43
MKR-42X57.1X6.3	11.64
MKR-58X73.1X6.3	15.50
MKR-68.9X70.5X6	25.43

Part Number	List Price
MKR-69X73.4X3.3	\$ 27.00
MKR-70X85.1X5	14.29
MKR-75X86.7X4.2	28.57
MKR-76X91.5X6.3	16.07
MKR-78X93.5X6.3	27.00
MKR-80X100.5X8.1	27.00
MKR-82X90.6X3.2	19.64
MKR-85X96X4.2	27.00
MKR-90X100.5X3.4	27.00
MKR-107X122.5X6.3	27.00
MKR-108X123.1X6.3	37.79

Part Number	List Price
MKR-127X142.5X6.3	\$ 27.00
MKR-130X140X5	27.00
MKR-145X160.5X6.3	46.50
MKR-180X195.5X5.9	43.93
MKR-210X230.5X8.1	87.21
MKR-240X260.5X8.1	119.00
MKR-310X334X8.1	172.36
MKR-320X344X8.1	201.93

STYLE MKR-U BUFFER SEALS

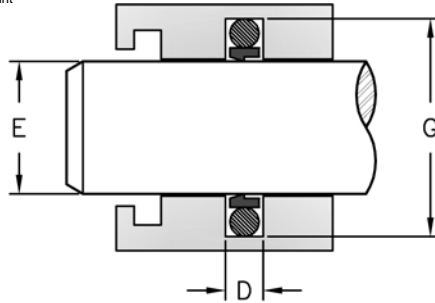
Style MKR-U seals are molded from Zurcon® Z52 urethane. This seal is designed to allow for back-pumping capabilities while improving wear resistance and decreasing friction. This seal can be used as a secondary seal or in tandem with a PTFE buffer seal.



PART NUMBERS

MKR - 40 X 55.1 X 6U

Type of Seal: MKR
Inside Diameter: 40
Outside Diameter: 55.1
Height: 6U



SEAL INFORMATION

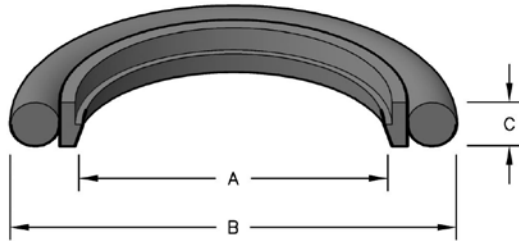
MATERIAL	58D URETHANE BUFFER 70A NBR ENERGIZER
TEMPERATURE RANGE	-49° TO +212° F
PRESSURE RANGE	0 TO 3,600 (SINGLE) PSI 0 TO 8,700 (TANDEM) PSI
SPEED	16 FT/SEC

Part Number	A Nom. ID	B Nom. OD	C Nom. Ht	D GROOVE WIDTH	E ROD DIAMETER	G HOUSING DIAMETER	List Price
MKR-40X55.1X6U	40	55.1	6	6.30 +0.20 +0.00	40.00 -0.025 -0.064	55.10 +0.074 +0.000	\$21.39
MKR-45X60.1X6U	45	60.1	6	6.30 +0.20 +0.00	45.00 -0.025 -0.064	60.10 +0.074 +0.000	27.72
MKR-50X65.1X6U	50	65.1	6	6.30 +0.20 +0.00	50.00 -0.025 -0.064	65.10 +0.074 +0.000	28.87
MKR-56X71.1X6U	56	71.1	6	6.30 +0.20 +0.00	56.00 -0.030 -0.076	71.10 +0.074 +0.000	36.34
MKR-63X78.1X6U	63	78.1	6	6.30 +0.20 +0.00	63.00 -0.030 -0.076	78.10 +0.074 +0.000	40.82
MKR-70X85.1X6U	70	85.1	6	6.30 +0.20 +0.00	70.00 -0.030 -0.076	85.10 +0.087 +0.000	38.75
MKR-80X95.1X6U	80	95.1	6	6.30 +0.20 +0.00	80.00 -0.030 -0.076	95.10 +0.087 +0.000	54.51
MKR-90X105.1X6U	90	105.1	6	6.30 +0.20 +0.00	90.00 -0.036 -0.090	105.10 +0.087 +0.000	65.32
MKR-100X115.1X6U	100	115.1	6	6.30 +0.20 +0.00	100.00 -0.036 -0.090	115.10 +0.087 +0.000	72.45
MKR-110X125.1X6U	110	125.1	6	6.30 +0.20 +0.00	110.00 -0.036 -0.090	125.10 +0.10 +0.00	83.14
MKR-125X140.1X6U	125	140.1	6	6.30 +0.20 +0.00	125.00 -0.043 -0.106	140.10 +0.10 +0.00	98.50
MKR-140X155.1X6U	140	155.1	6	6.30 +0.20 +0.00	140.00 -0.043 -0.106	155.10 +0.10 +0.00	131.22
MKR-150X165.1X6U	150	165.1	6	6.30 +0.20 +0.00	150.00 -0.043 -0.106	165.10 +0.10 +0.00	172.85

STYLE MKR-V BUFFER SEALS



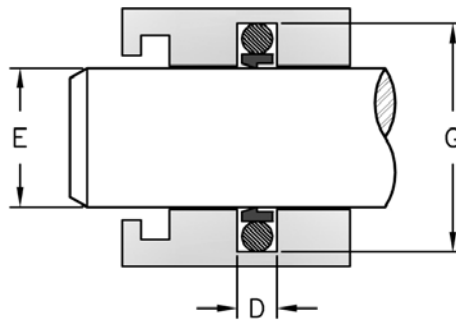
Molded in bronze-filled PTFE with an FKM energizer, this seal is used to protect the primary seal from damage caused by pressure spikes and excessive heat build up.



PART NUMBERS

MKR - 25 X 33 X 3
 Style Prefix Inside Diameter Outside Diameter Height

SEAL INFORMATION	
MATERIAL	BRONZE PTFE BUFFER, FKM ENERGIZER
TEMPERATURE RANGE	-20 +400° F
PRESSURE RANGE	0 TO 5,000 PSI
SPEED	12 FT/SEC



Part Number	A Nom. ID	B Nom. OD	C Nom. Ht	D GROOVE WIDTH	E ROD DIAMETER	G HOUSING DIAMETER	List Price
MKR-25X33X3.0V	25	33	3	3.20 +0.20 +0.00	25.00 -0.020 -0.053	33.00 +0.20 +0.00	\$34.71
MKR-25X35.7X4V	25	35.7	4	4.20 +0.20 +0.00	25.00 -0.020 -0.053	35.70 +0.20 +0.00	26.97
MKR-30X40.7X3.9V	30	40.7	3.9	4.20 +0.20 +0.00	30.00 -0.020 -0.053	40.70 +0.20 +0.00	34.04
MKR-35X42.5X3V	35	42.5	3	3.20 +0.20 +0.00	35.00 -0.025 -0.064	42.50 +0.20 +0.00	29.04
MKR-40X52.6X4V	40	52.6	4	4.20 +0.20 +0.00	40.00 -0.025 -0.064	52.60 +0.20 +0.00	34.49
MKR-40X55.5X5.9V	40	55.5	5.9	6.30 +0.20 +0.00	40.00 -0.025 -0.064	55.50 +0.20 +0.00	34.35
MKR-45X57.6X4V	45	57.6	4	4.20 +0.20 +0.00	45.00 -0.025 -0.064	57.60 +0.20 +0.00	33.11
MKR-50X62.6X4V	50	62.6	4	4.20 +0.20 +0.00	50.00 -0.025 -0.064	62.60 +0.20 +0.00	40.40
MKR-50X60X4.5V	50	60	4.5	4.80 +0.20 +0.00	50.00 -0.025 -0.064	60.00 +0.20 +0.00	31.75
MKR-50X65.1X5.9-B5V	50	65.1	5.9	6.30 +0.20 +0.00	50.00 -0.025 -0.064	65.10 +0.20 +0.00	90.96
MKR-50X65.5X5.9V	50	65.5	5.9	6.30 +0.20 +0.00	50.00 -0.025 -0.064	65.50 +0.20 +0.00	24.28
MKR-56X68.6X4V	56	68.6	4	4.20 +0.20 +0.00	56.00 -0.030 -0.076	68.60 +0.20 +0.00	40.51
MKR-59X74.1X5.9-B5V	59	74.1	5.9	6.30 +0.20 +0.00	59.00 -0.030 -0.076	74.10 +0.20 +0.00	39.54
MKR-60X75.5X5.9V	60	75.5	5.9	6.30 +0.20 +0.00	60.00 -0.030 -0.076	75.50 +0.20 +0.00	40.51
MKR-63X75.6X3.9V	63	75.6	3.9	4.20 +0.20 +0.00	63.00 -0.030 -0.076	75.60 +0.20 +0.00	29.41

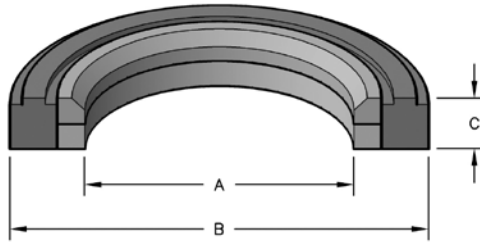
STYLE MKR-V BUFFER SEALS

Part Number	A Nom. ID	B Nom. OD	C Nom. Ht	D GROOVE WIDTH	E ROD DIAMETER	G HOUSING DIAMETER	List Price
MKR-63X78.1X5.9-B5V	63	78.1	5.9	6.30 ^{+0.20} / _{+0.00}	63.00 ^{-0.030} / _{-0.076}	78.10 ^{+0.20} / _{+0.00}	42.29
MKR-65X80.5X5.9V	65	80.5	5.9	6.30 ^{+0.20} / _{+0.00}	65.00 ^{-0.030} / _{-0.076}	80.50 ^{+0.20} / _{+0.00}	39.06
MKR-70X85.5X5.9V	70	85.5	5.9	6.30 ^{+0.20} / _{+0.00}	70.00 ^{-0.030} / _{-0.076}	85.50 ^{+0.20} / _{+0.00}	45.37
MKR-75X90.5X5.9V	75	90.5	5.9	6.30 ^{+0.20} / _{+0.00}	75.00 ^{-0.030} / _{-0.076}	90.50 ^{+0.20} / _{+0.00}	48.41
MKR-80X95.5X5.9V	80	95.5	5.9	6.30 ^{+0.20} / _{+0.00}	80.00 ^{-0.030} / _{-0.076}	95.50 ^{+0.20} / _{+0.00}	52.16
MKR-85X100.5X5.9V	85	100.5	5.9	6.30 ^{+0.20} / _{+0.00}	85.00 ^{-0.036} / _{-0.090}	100.50 ^{+0.20} / _{+0.00}	51.50
MKR-90X105.5X5.9V	90	105.5	5.9	6.30 ^{+0.20} / _{+0.00}	90.00 ^{-0.036} / _{-0.090}	105.50 ^{+0.20} / _{+0.00}	56.65
MKR-95X110.5X5.9V	95	110.5	5.9	6.30 ^{+0.20} / _{+0.00}	95.00 ^{-0.036} / _{-0.090}	110.50 ^{+0.20} / _{+0.00}	58.46
MKR-100X115.5X5.9V	100	115.5	5.9	6.30 ^{+0.20} / _{+0.00}	100.00 ^{-0.036} / _{-0.090}	115.50 ^{+0.20} / _{+0.00}	59.39
MKR-105X120.5X5.9V	105	120.5	5.9	6.30 ^{+0.20} / _{+0.00}	105.00 ^{-0.036} / _{-0.090}	120.50 ^{+0.20} / _{+0.00}	67.58
MKR-110X125.5X5.9V	110	125.5	5.9	6.30 ^{+0.20} / _{+0.00}	110.00 ^{-0.036} / _{-0.090}	125.50 ^{+0.20} / _{+0.00}	70.54
MKR-115X130.5X5.9V	115	130.5	5.9	6.30 ^{+0.20} / _{+0.00}	115.00 ^{-0.036} / _{-0.090}	130.50 ^{+0.20} / _{+0.00}	70.32
MKR-120X135.5X5.9V	120	135.5	5.9	6.30 ^{+0.20} / _{+0.00}	120.00 ^{-0.036} / _{-0.090}	135.50 ^{+0.20} / _{+0.00}	70.67
MKR-130X145.5X5.9V	130	145.5	5.9	6.30 ^{+0.20} / _{+0.00}	130.00 ^{-0.043} / _{-0.106}	145.50 ^{+0.20} / _{+0.00}	71.99
MKR-140X155.5X5.9V	140	155.5	5.9	6.30 ^{+0.20} / _{+0.00}	140.00 ^{-0.043} / _{-0.106}	155.50 ^{+0.20} / _{+0.00}	68.73
MKR-150X165.5X5.9V	150	165.5	5.9	6.30 ^{+0.20} / _{+0.00}	150.00 ^{-0.043} / _{-0.106}	165.50 ^{+0.20} / _{+0.00}	76.77
MKR-160X175.5X5.9V	160	175.5	5.9	6.30 ^{+0.20} / _{+0.00}	160.00 ^{-0.043} / _{-0.106}	175.50 ^{+0.20} / _{+0.00}	79.00
MKR-170X185.5X5.9V	170	185.5	5.9	6.30 ^{+0.20} / _{+0.00}	170.00 ^{-0.043} / _{-0.106}	185.50 ^{+0.20} / _{+0.00}	97.13

STYLE MNBR BUFFER SEALS

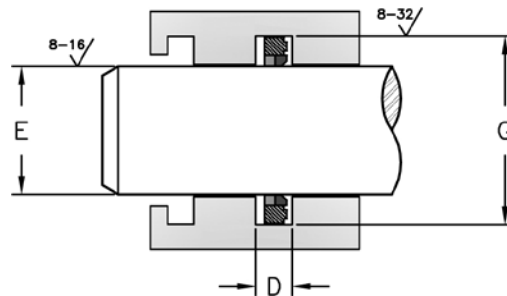


Molded in PTFE with a rubber energizer and nylon anti-extrusion ring, this seal absorbs the shock of pressure spikes to protect the rod seal.



PART NUMBERS

MNBR - 55 X 70.5 X 5.9
 Type of Seal | Inside Diameter | Outside Diameter | Height



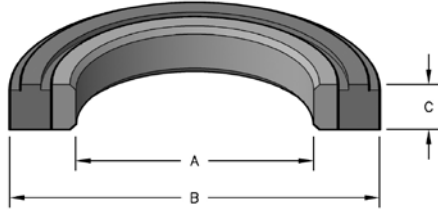
SEAL INFORMATION	
MATERIAL	PTFE BUFFER 70A NBR ENERGIZER NYLON BACK-UP
TEMPERATURE RANGE	-40° TO +220° F
PRESSURE RANGE	0 TO 5,000 PSI
SPEED	3 FT/SEC

Part Number	A Nom. ID	B Nom. OD	C Nom. Ht	D GROOVE WIDTH	E ROD DIAMETER	G HOUSING DIAMETER	List Price
MNBR-55X70.5X5.9	55	70.5	5.9	6.30 +0.20 +0.00	55.00 -0.030 -0.076	70.50 +0.074 +0.000	\$48.02
MNBR-60X75.5X5.9	60	75.5	5.9	6.30 +0.20 +0.00	60.00 -0.030 -0.076	75.50 +0.074 +0.000	51.74
MNBR-65X80.5X5.9	65	80.5	5.9	6.30 +0.20 +0.00	65.00 -0.030 -0.076	80.50 +0.087 +0.000	55.40
MNBR-70X85.5X5.9	70	85.5	5.9	6.30 +0.20 +0.00	70.00 -0.030 -0.076	85.50 +0.087 +0.000	59.06
MNBR-75X90.5X5.9	75	90.5	5.9	6.30 +0.20 +0.00	75.00 -0.030 -0.076	90.50 +0.087 +0.000	62.76
MNBR-80X95.5X5.9	80	95.5	5.9	6.30 +0.20 +0.00	80.00 -0.030 -0.076	95.50 +0.087 +0.000	66.49
MNBR-85X100.5X5.9	85	100.5	5.9	6.30 +0.20 +0.00	85.00 -0.036 -0.090	100.50 +0.087 +0.000	70.18
MNBR-90X105.5X5.9	90	105.5	5.9	6.30 +0.20 +0.00	90.00 -0.036 -0.090	105.50 +0.087 +0.000	73.86
MNBR-95X110.5X5.9	95	110.5	5.9	6.30 +0.20 +0.00	95.00 -0.036 -0.090	110.50 +0.087 +0.000	77.51
MNBR-100X115.5X5.9	100	115.5	5.9	6.30 +0.20 +0.00	100.00 -0.036 -0.090	115.50 +0.087 +0.000	84.89
MNBR-105X120.5X5.9	105	120.5	5.9	6.30 +0.20 +0.00	105.00 -0.036 -0.090	120.50 +0.10 +0.00	88.58
MNBR-110X125.5X5.9	110	125.5	5.9	6.30 +0.20 +0.00	110.00 -0.036 -0.090	125.50 +0.10 +0.00	92.35
MNBR-115X130.5X5.9	115	130.5	5.9	6.30 +0.20 +0.00	115.00 -0.036 -0.090	130.50 +0.10 +0.00	96.02
MNBR-120X135.5X5.9	120	135.5	5.9	6.30 +0.20 +0.00	120.00 -0.036 -0.090	135.50 +0.10 +0.00	101.65
MNBR-125X140.5X5.9	125	140.5	5.9	6.30 +0.20 +0.00	125.00 -0.043 -0.106	140.50 +0.10 +0.00	51.91

Seal color may vary.

STYLE MSBR BUFFER SEALS

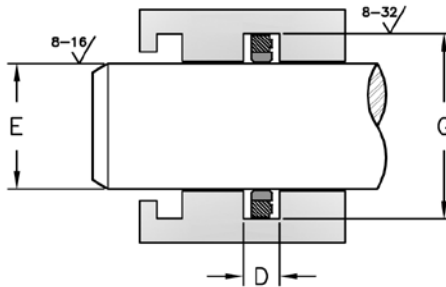
Molded in nylon with a rubber energizer, this seal absorbs the shock of pressure spikes and relieves back pressure by way of slots on the pressure side of the energizer.



PART NUMBERS

MSBR - 70 X 80 X 6.3

Type of Seal: MSBR
Inside Diameter: 70
Outside Diameter: 80
Height: 6.3



SEAL INFORMATION

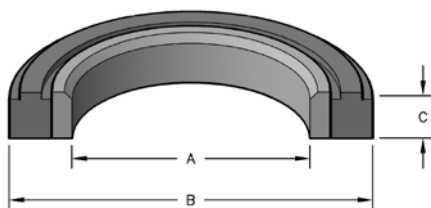
MATERIAL	NYLON BUFFER 70A NITRILE ENER- GIZER
TEMPERATURE RANGE	-40° TO +220° F
PRESSURE RANGE	0 TO 5,000 PSI
SPEED	3 FT/SEC

Part Number	A Nom. ID	B Nom. OD	C Nom. Ht	D GROOVE WIDTH	E ROD DIAMETER	G HOUSING DIAMETER	List Price
MSBR-70X80X6.3	70	80	5.9	6.30 +0.20 +0.00	70.00 -0.030 -0.076	80.00 +0.074 +0.000	\$22.27
MSBR-75X85X6.3	75	85	5.9	6.30 +0.20 +0.00	75.00 -0.030 -0.076	85.00 +0.087 +0.000	23.68
MSBR-80X90X6.3	80	90	5.9	6.30 +0.20 +0.00	80.00 -0.030 -0.076	90.00 +0.087 +0.000	25.09
MSBR-85X95X6.3	85	95	5.9	6.30 +0.20 +0.00	85.00 -0.036 -0.090	95.00 +0.087 +0.000	26.45
MSBR-90X100X6.3	90	100	5.9	6.30 +0.20 +0.00	90.00 -0.036 -0.090	100.00 +0.087 +0.000	27.87
MSBR-95X105X6.3	95	105	5.9	6.30 +0.20 +0.00	95.00 -0.036 -0.090	105.00 +0.087 +0.000	29.26
MSBR-100X110X6.3	100	110	5.9	6.30 +0.20 +0.00	100.00 -0.036 -0.090	110.00 +0.087 +0.000	32.02
MSBR-110X120X6.3	110	120	5.9	6.30 +0.20 +0.00	110.00 -0.036 -0.090	120.00 +0.087 +0.000	34.80

Seal color may vary. Special order sizes are available.

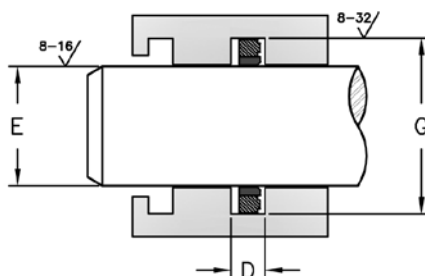
STYLE MYBR BUFFER SEALS

Molded in PTFE with a rubber energizer, this seal absorbs the shock of pressure spikes to protect the rod seal. This style relieves back pressure by way of slots on the pressure side of the energizer.



PART NUMBERS

MYBR - 40 X 55.5 X 5.9
 Type of Seal Inside Diameter Outside Diameter Height



SEAL INFORMATION

MATERIAL	FILLED PTFE BUFFER 70A NITRILE ENERGIZER
TEMPERATURE RANGE	-40° TO +220° F
PRESSURE RANGE	0 TO 5,000 PSI
SPEED	12 FT/SEC

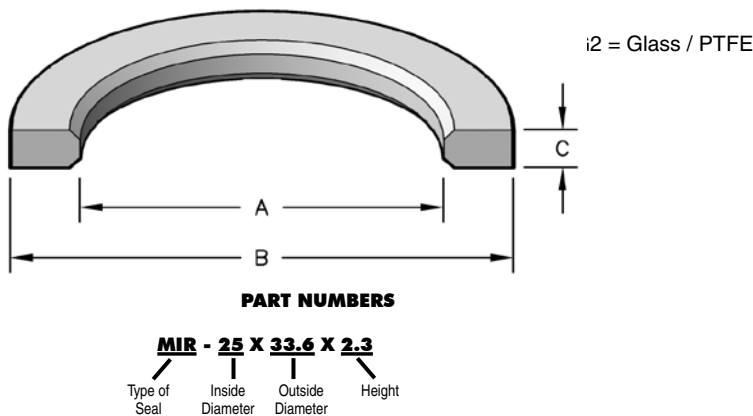
Part Number	A Nom. ID	B Nom. OD	C Nom. Ht	D GROOVE WIDTH	E ROD DIAMETER	G HOUSING DIAMETER	List Price
MYBR-40X55.5X5.9	40	55.5	5.9	6.30 ^{+0.20} / _{+0.00}	40.00 ^{-0.025} / _{-0.064}	55.50 ^{+0.074} / _{+0.000}	\$ 12.17
MYBR-45X60.5X5.9	45	60.5	5.9	6.30 ^{+0.20} / _{+0.00}	45.00 ^{-0.025} / _{-0.064}	60.50 ^{+0.074} / _{+0.000}	13.13
MYBR-55X70.5X5.9	55	70.5	5.9	6.30 ^{+0.20} / _{+0.00}	55.00 ^{-0.030} / _{-0.076}	70.50 ^{+0.074} / _{+0.000}	24.85
MYBR-60X75.5X5.9	60	75.5	5.9	6.30 ^{+0.20} / _{+0.00}	60.00 ^{-0.030} / _{-0.076}	75.50 ^{+0.074} / _{+0.000}	26.84
MYBR-65X80.5X5.9	65	80.5	5.9	6.30 ^{+0.20} / _{+0.00}	65.00 ^{-0.030} / _{-0.076}	80.50 ^{+0.087} / _{+0.000}	28.74
MYBR-70X85.5X5.9	70	85.5	5.9	6.30 ^{+0.20} / _{+0.00}	70.00 ^{-0.030} / _{-0.076}	85.50 ^{+0.087} / _{+0.000}	30.68
MYBR-75X90.5X5.9	75	90.5	5.9	6.30 ^{+0.20} / _{+0.00}	75.00 ^{-0.030} / _{-0.076}	90.50 ^{+0.087} / _{+0.000}	32.61
MYBR-80X95.5X5.9	80	95.5	5.9	6.30 ^{+0.20} / _{+0.00}	80.00 ^{-0.030} / _{-0.076}	95.50 ^{+0.087} / _{+0.000}	34.51
MYBR-85X100.5X5.9	85	100.5	5.9	6.30 ^{+0.20} / _{+0.00}	85.00 ^{-0.036} / _{-0.090}	100.50 ^{+0.087} / _{+0.000}	36.42
MYBR-90X105.5X5.9	90	105.5	5.9	6.30 ^{+0.20} / _{+0.00}	90.00 ^{-0.036} / _{-0.090}	105.50 ^{+0.087} / _{+0.000}	38.34
MYBR-95X110.5X5.9	95	110.5	5.9	6.30 ^{+0.20} / _{+0.00}	95.00 ^{-0.036} / _{-0.090}	110.50 ^{+0.087} / _{+0.000}	40.29
MYBR-100X115.5X5.9	100	115.5	5.9	6.30 ^{+0.20} / _{+0.00}	100.00 ^{-0.036} / _{-0.090}	115.50 ^{+0.087} / _{+0.000}	44.09
MYBR-105X120.5X5.9	105	120.5	5.9	6.30 ^{+0.20} / _{+0.00}	105.00 ^{-0.036} / _{-0.090}	120.50 ^{+0.10} / _{+0.00}	46.05
MYBR-110X125.5X5.9	110	125.5	5.9	6.30 ^{+0.20} / _{+0.00}	110.00 ^{-0.036} / _{-0.090}	125.50 ^{+0.10} / _{+0.00}	47.96
MYBR-115X130.5X5.9	115	130.5	5.9	6.30 ^{+0.20} / _{+0.00}	115.00 ^{-0.036} / _{-0.090}	130.50 ^{+0.10} / _{+0.00}	30.85
MYBR-120X135.5X5.9	120	135.5	5.9	6.30 ^{+0.20} / _{+0.00}	120.00 ^{-0.036} / _{-0.090}	135.50 ^{+0.10} / _{+0.00}	49.87
MYBR-130X145.5X5.9	130	145.5	5.9	6.30 ^{+0.20} / _{+0.00}	130.00 ^{-0.043} / _{-0.106}	145.50 ^{+0.10} / _{+0.00}	34.72
MYBR-140X155.5X5.9	140	155.5	5.9	6.30 ^{+0.20} / _{+0.00}	140.00 ^{-0.043} / _{-0.106}	155.50 ^{+0.10} / _{+0.00}	51.69
MYBR-150X165.5X5.9	150	165.5	5.9	6.30 ^{+0.20} / _{+0.00}	150.00 ^{-0.043} / _{-0.106}	165.50 ^{+0.10} / _{+0.00}	52.94

STYLE MYBR BUFFER SEALS

Part Number	A Nom. ID	B Nom. OD	C Nom. Ht	D GROOVE WIDTH	E ROD DIAMETER	G HOUSING DIAMETER	List Price
MYBR-160X175.5X5.9	160	175.5	5.9	6.30 ^{+0.20} / _{+0.00}	160.00 ^{-0.043} / _{-0.106}	175.50 ^{+0.10} / _{+0.00}	57.46

STYLE MIR BUFFER SEALS

Molded in polyurethane, this buffer seal is a simple flat, washer-like profile.



SEAL INFORMATION	
MATERIAL	URETHANE
TEMPERATURE RANGE	-40° TO +200° F
PRESSURE RANGE	0 TO 5,000 PSI
SPEED	3 FT/SEC

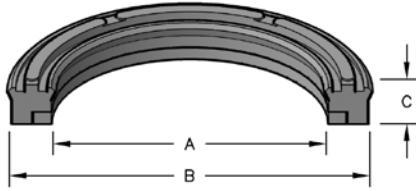
Part Number	A Nom. ID	B Nom. OD	C Nom. Ht	List Price
MIR-25X33.6X2.3	25	33.6	2.3	\$22.96
MIR-30X41X2.9	30	41	2.9	24.19
MIR-35X46X2.9	35	46	2.9	4.30
MIR-35X48X3	35	48	3	8.79
MIR-40X48X3	40	48	3	8.96
MIR-50X58X2.9	50	58	2.9	8.49
MIR-50X62X3	50	62	3	6.19
MIR-50X55.5X3.4-G2	50	55.5	3.4	23.83
MIR-50X62.6X4	50	62.6	4	9.90
MIR-56X70X3	56	70	3	10.47
MIR-56X68.6X4	56	68.6	4	10.47
MIR-56X73X4.8	56	73	4.8	10.12
MIR-63X80X4.7	63	80	4.7	10.87
MIR-65X78X4	65	78	4	12.11
MIR-70X83.5X3	70	83.5	3	12.36
MIR-70X84X3	70	84	3	13.09
MIR-70X83X4	70	83	4	13.09
MIR-75X88X4	75	88	4	10.07
MIR-80X93X4	80	93	4	14.56
MIR-90X104X4	90	104	4	11.25
MIR-100X113X4	100	113	4	14.66

Seal color may vary. Special order sizes are available.

STYLE MBRW BUFFER SEALS

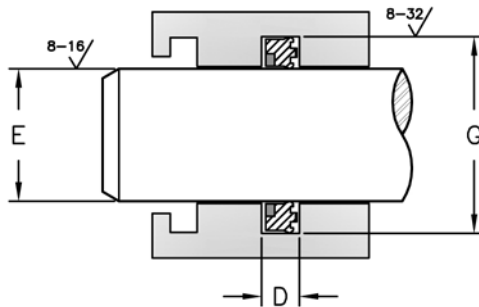


This compact rod seal is primarily used as a buffer seal and is often found in construction machinery cylinders. It was developed for use under extreme pressure and where pressure spikes up to 14000 psi are not uncommon.



PART NUMBERS


MBRW - 60 X 75 X 8.5
 Type of Seal Inside Diameter Outside Diameter Height



SEAL INFORMATION	
MATERIAL	93A URETHANE
TEMPERATURE RANGE	-30 +230° F
PRESSURE RANGE	0 TO 7200 PSI
SPEED	1.5 FT/SEC

Part Number	A Nom. ID	B Nom. OD	C Nom. Ht	D GROOVE WIDTH	E ROD DIAMETER	G HOUSING DIAMETER	List Price
MBRW-60X75X8.5	60	75	8.5	9.50 ^{+0.20} / _{+0.00}	60.00 ^{-0.03} / _{-0.06}	75.00 ^{+0.19} / _{+0.00}	\$73.66
MBRW-70X85X8.5	70	85	8.5	9.50 ^{+0.20} / _{+0.00}	70.00 ^{-0.03} / _{-0.06}	85.00 ^{+0.22} / _{+0.00}	70.37
MBRW-80X95X8.5	80	95	8.5	9.50 ^{+0.20} / _{+0.00}	80.00 ^{-0.03} / _{-0.06}	95.00 ^{+0.22} / _{+0.00}	27.61
MBRW-90X105X8.5	90	105	8.5	9.50 ^{+0.20} / _{+0.00}	90.00 ^{-0.036} / _{-0.071}	105.00 ^{+0.22} / _{+0.00}	67.12
MBRW-100X120X11.4	100	120	11.4	12.50 ^{+0.20} / _{+0.00}	100.00 ^{-0.036} / _{-0.071}	120.00 ^{+0.22} / _{+0.00}	43.50
MBRW-120X140X11.4	120	140	11.4	12.50 ^{+0.20} / _{+0.00}	120.00 ^{-0.036} / _{-0.071}	140.00 ^{+0.25} / _{+0.00}	81.36
MBRW-130X150X14.5	130	150	14.5	16.00 ^{+0.20} / _{+0.00}	130.00 ^{-0.043} / _{-0.083}	150.00 ^{+0.25} / _{+0.00}	166.62
MBRW-140X160X14.5	140	160	14.5	16.00 ^{+0.20} / _{+0.00}	140.00 ^{-0.043} / _{-0.083}	160.00 ^{+0.25} / _{+0.00}	138.63
MBRW-160X180X14.5	160	180	14.5	16.00 ^{+0.20} / _{+0.00}	160.00 ^{-0.043} / _{-0.083}	180.00 ^{+0.25} / _{+0.00}	161.60
MBRW-170X195X14.5	170	195	14.5	16.00 ^{+0.20} / _{+0.00}	170.00 ^{-0.043} / _{-0.083}	195.00 ^{+0.29} / _{+0.00}	520.32
MBRW-180X205X14.5	180	205	14.5	16.00 ^{+0.20} / _{+0.00}	180.00 ^{-0.043} / _{-0.083}	205.00 ^{+0.29} / _{+0.00}	196.06
MBRW-200X225X14.5	200	225	14.5	16.00 ^{+0.20} / _{+0.00}	200.00 ^{-0.050} / _{-0.096}	225.00 ^{+0.29} / _{+0.00}	220.84

CUSTOM MANUFACTURED BUFFER SEALS

MRSS	SEAL INFORMATION	
	MATERIAL	PTFE+NBR / PTFE+FKM
	TEMPERATURE RANGE	PTFE+NBR -30° C,+130° C PTFE+FKM -15° C,+200° C
	PRESSURE RANGE	≤600 (BAR)
	SPEED	5.0 M/S

Part Number	List Price
MRSS-20X36.5X6.3	\$ 31.34
MRSS-30X40.8X4.2	32.63
MRSS-35X42.3X3.2	33.93
MRSS-35X46X4.2	35.22
MRSS-40X55.5X6.3	36.51

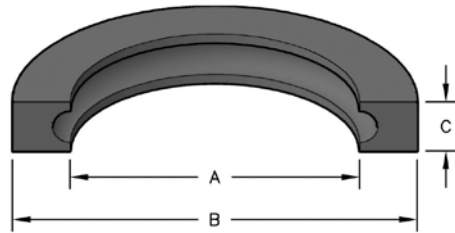
Part Number	List Price
MRSS-50X63X5.6	\$ 37.81
MRSS-62X69.3X3.2	40.71
MRSS-85X96X3.9	42.31
MRSS-85X92.3X3.3	43.92
MRSS-96X108X4.2	45.52

Part Number	List Price
MRSS-114X126X4.2	\$ 49.19
MRSS-160X172.2X9.5	52.87
MRSS-175X187X4.2	56.54
MRSS-195X207X4.2	60.22

STYLE MUSW SWIVEL SEALS



Molded in polyurethane, these rotary pressure seals are specifically designed for use in hydraulic swivel joints.



PART NUMBERS

MUSW - 70 X 80 X 5

Type of Seal: MUSW
 Inside Diameter: 70
 Outside Diameter: 80
 Height: 5

SEAL INFORMATION	
MATERIAL	92A URETHANE
TEMPERATURE RANGE	-50° TO +220° F
PRESSURE RANGE	0 TO 5,000 PSI
SPEED	3 FT/SEC
PART NUMBER	(Prefix) - (ID) X (OD) X (H)

Part Number	A Nom. ID	B Nom. OD	C Nom. Ht	List Price
MUSW-70X80X5	70	80	5	\$31.09
MUSW-80X90X4.8	80	90	4.8	32.04
MUSW-90X100X4.8	90	100	4.8	37.68
MUSW-95X105X4.8	95	105	4.8	38.07
MUSW-100X110X4.8	100	110	4.8	45.47
MUSW-110X120X5	110	120	5	39.03
MUSW-115X125X5	115	125	5	39.35
MUSW-120X130X5	120	130	5	39.70

Seal color may vary. Special order sizes are available.