

O-RING SIZE CHART FOR METRIC SEALS

JIS B 2401	WIDTH	I.D.	JIS B 2401	WIDTH	I.D.	JIS B 2401	WIDTH	I.D.
P - 3	1.9 ±0.08	2.8 ±0.14	P - 71	5.7 ±0.13	70.6 ±0.62	G - 25	3.1 ±0.10	24.4 ±0.25
P - 4		3.8 ±0.14	P - 75		74.6 ±0.65	G - 30		29.4 ±0.29
P - 5		4.8 ±0.15	P - 80		79.6 ±0.69	G - 35		34.4 ±0.33
P - 6		5.8 ±0.15	P - 85		84.6 ±0.73	G - 40		39.4 ±0.37
P - 7		6.8 ±0.16	P - 90		89.6 ±0.77	G - 45		44.4 ±0.41
P - 8		7.8 ±0.16	P - 95		94.6 ±0.81	G - 50		49.4 ±0.45
P - 9		8.8 ±0.17	P - 100		99.6 ±0.84	G - 55		54.4 ±0.49
P - 10		9.8 ±0.17	P - 102		101.6 ±0.85	G - 60		59.4 ±0.53
P - 10A		9.8 ±0.17	P - 105		104.6 ±0.87	G - 65		64.4 ±0.57
P - 11		10.8 ±0.18	P - 110		109.6 ±0.91	G - 70		69.4 ±0.61
P - 11.2	11 ±0.18	P - 112	111.6 ±0.92	G - 75	74.4 ±0.65			
P - 12	11.8 ±0.19	P - 115	114.6 ±0.94	G - 80	79.4 ±0.69			
P - 12.5	12.3 ±0.19	P - 120	119.6 ±0.98	G - 85	84.4 ±0.73			
P - 14	13.8 ±0.19	P - 125	124.6 ±1.01	G - 90	89.4 ±0.77			
P - 15	14.8 ±0.20	P - 130	129.6 ±1.05	G - 95	94.4 ±0.81			
P - 16	15.8 ±0.20	P - 132	131.6 ±1.06	G - 100	99.4 ±0.85			
P - 18	17.8 ±0.21	P - 135	134.6 ±1.09	G - 105	104.4 ±0.87			
P - 20	19.8 ±0.22	P - 140	139.6 ±1.12	G - 110	109.4 ±0.91			
P - 21	20.8 ±0.23	P - 145	144.6 ±1.16	G - 115	114.4 ±0.94			
P - 22	21.8 ±0.24	P - 150	149.6 ±1.19	G - 120	119.4 ±0.98			
P - 22A	21.7 ±0.24	P - 150A	149.5 ±1.19	G - 125	124.4 ±1.01			
P - 22.4	22.1 ±0.24	P - 155	154.5 ±1.23	G - 130	129.4 ±1.05			
P - 24	23.7 ±0.24	P - 160	159.5 ±1.26	G - 135	134.4 ±1.08			
P - 25	24.7 ±0.25	P - 165	164.5 ±1.30	G - 140	139.4 ±1.12			
P - 25.5	25.2 ±0.25	P - 170	169.5 ±1.33	G - 145	144.4 ±1.16			
P - 26	25.7 ±0.26	P - 175	174.5 ±1.37	G - 150	149.3 ±1.19			
P - 28	27.7 ±0.28	P - 180	179.5 ±1.40	G - 155	154.3 ±1.23			
P - 29	28.7 ±0.29	P - 185	184.5 ±1.44	G - 160	159.3 ±1.26			
P - 29.5	29.2 ±0.29	P - 190	189.5 ±1.48	G - 165	164.3 ±1.30			
P - 30	29.7 ±0.29	P - 195	194.5 ±1.51	G - 170	169.3 ±1.33			
P - 31	30.7 ±0.30	P - 200	199.5 ±1.55	G - 175	174.3 ±1.37			
P - 31.5	31.2 ±0.31	P - 205	204.5 ±1.58	G - 180	179.3 ±1.40			
P - 32	31.7 ±0.31	P - 209	208.5 ±1.61	G - 185	184.3 ±1.44			
P - 34	33.7 ±0.33	P - 210	209.5 ±1.62	G - 190	189.3 ±1.47			
P - 35	34.7 ±0.34	P - 215	214.5 ±1.65	G - 195	194.3 ±1.51			
P - 35.5	35.2 ±0.34	P - 220	219.5 ±1.68	G - 200	199.3 ±1.55			
P - 36	35.7 ±0.34	P - 225	224.5 ±1.71	G - 205	204.3 ±1.58			
P - 38	37.7 ±0.37	P - 230	229.5 ±1.75	G - 210	209.3 ±1.61			
P - 39	38.7 ±0.37	P - 235	234.5 ±1.78	G - 215	214.3 ±1.64			
P - 40	39.7 ±0.37	P - 240	239.5 ±1.81	G - 220	219.3 ±1.68			
P - 41	40.7 ±0.38	P - 245	244.5 ±1.84	G - 225	224.3 ±1.71			
P - 42	41.7 ±0.39	P - 250	249.5 ±1.88	G - 230	229.3 ±1.73			
P - 44	43.7 ±0.41	P - 255	254.5 ±1.91	G - 235	234.3 ±1.77			
P - 45	44.7 ±0.41	P - 260	259.5 ±1.94	G - 240	239.3 ±1.81			
P - 46	45.7 ±0.42	P - 265	264.5 ±1.97	G - 245	244.3 ±1.84			
P - 48	47.7 ±0.44	P - 270	269.5 ±2.01	G - 250	249.3 ±1.88			
P - 49	48.7 ±0.45	P - 275	274.5 ±2.04	G - 255	254.3 ±1.91			
P - 50	49.7 ±0.45	P - 280	279.5 ±2.07	G - 260	259.3 ±1.94			
P - 48A	47.6 ±0.45	P - 285	284.5 ±2.10	G - 265	264.3 ±1.97			
P - 50A	49.6 ±0.45	P - 290	289.5 ±2.14	G - 270	269.3 ±2.01			
P - 52	51.6 ±0.47	P - 295	294.5 ±2.17	G - 275	274.3 ±2.04			
P - 53	52.6 ±0.48	P - 300	299.5 ±2.20	G - 280	279.3 ±2.07			
P - 55	54.6 ±0.49	P - 315	314.5 ±2.30	G - 285	284.3 ±2.10			
P - 56	55.6 ±0.50	P - 320	319.5 ±2.33	G - 290	289.3 ±2.14			
P - 58	57.6 ±0.52	P - 335	334.5 ±2.42	G - 295	294.3 ±2.17			
P - 60	59.6 ±0.53	P - 340	339.5 ±2.45	G - 300	299.3 ±2.20			
P - 62	61.6 ±0.55	P - 355	354.5 ±2.54	G - 305	304.3 ±2.24			
P - 63	62.6 ±0.56	P - 360	359.5 ±2.57	G - 310	309.3 ±2.27			
P - 65	64.6 ±0.57	P - 375	374.5 ±2.67	G - 315	314.3 ±2.30			
P - 67	66.6 ±0.59	P - 385	384.5 ±2.73	G - 320	319.3 ±2.33			
P - 70	69.6 ±0.61	P - 400	399.5 ±2.82	G - 325	324.3 ±2.36			
				G - 330	329.3 ±2.39			

O-RING SIZE CHART FOR METRIC SEALS

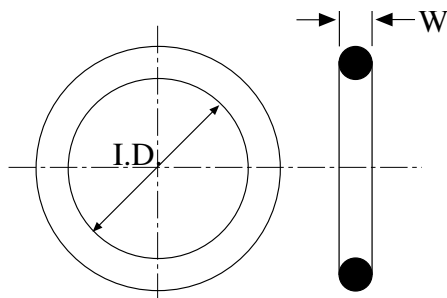


JIS B 2401	WIDTH	I.D.
G - 335	5.7 ±0.13	334.3 ±2.42
G - 340		339.3 ±2.45
G - 345		344.3 ±2.48
G - 350		349.3 ±2.51
G - 355		354.3 ±2.54
G - 360		359.3 ±2.57
G - 365		364.3 ±2.60
G - 370		369.3 ±2.63
G - 375		374.3 ±2.67
G - 380		379.3 ±2.70
G - 385		384.3 ±2.73
G - 390		389.3 ±2.76
G - 395		394.3 ±2.79
G - 400		399.3 ±2.82
V - 15	4 ±0.10	14.5 ±0.20
V - 24		23.5 ±0.24
V - 34		33.5 ±0.33
V - 40		39.5 ±0.37
V - 55		54.5 ±0.49
V - 70		69 ±0.61
V - 85		84 ±0.72
V - 100		99 ±0.83
V - 120		119 ±0.97
V - 150		148.5 ±1.18
V - 175	173 ±1.36	
V - 225	6 ±0.15	222.5 ±1.70
V - 275		272 ±2.02
V - 325		321.5 ±2.34
V - 380		376 ±2.68
V - 430		425.5 ±2.99
V - 480	10 ±0.30	475 ±3.30
V - 530		524.5 ±3.60
V - 585		579 ±3.92
V - 640		633.5 ±4.24
V - 690		683 ±4.54
V - 740		732.5 ±4.83
V - 790		782 ±5.12
V - 845		836.5 ±5.44
V - 950		940.5 ±6.06
V - 1055		1044 ±6.67

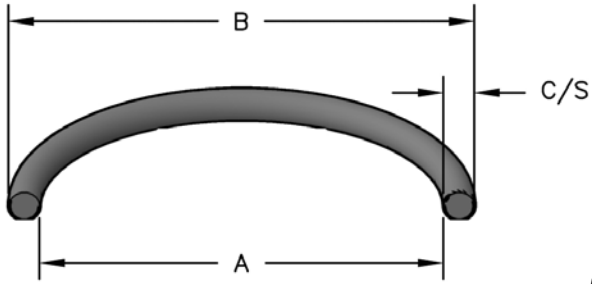
SM - O RINGS	WIDTH	I.D.	
SM - 3	1.5 ±0.10	2.5 ±0.15	
SM - 4		3.5 ±0.15	
SM - 5		4.5 ±0.15	
SM - 6		5.5 ±0.15	
SM - 7		6.5 ±0.15	
SM - 8		7.5 ±0.15	
SM - 9		8.5 ±0.15	
SM - 10		9.5 ±0.15	
SM - 11.2		10.7 ±0.15	
SM - 12		11.5 ±0.15	
SM - 12.5		12 ±0.15	
SM - 14		13.5 ±0.15	
SM - 15		14.5 ±0.15	
SM - 16		15.5 ±0.15	
SM - 18		17.5 ±0.15	
SM - 20		19.5 ±0.15	
SM - 22		21.5 ±0.15	
SM - 22.4		2.0 ±0.10	21.9 ±0.15
SM - 24			23.5 ±0.15
SM - 25			24.5 ±0.15
SM - 26			25.5 ±0.15
SM - 28			27.5 ±0.15
SM - 29	28.5 ±0.15		
SM - 30	29.5 ±0.15		
SM - 31.5	31 ±0.15		
SM - 32	31.5 ±0.15		
SM - 34	33.5 ±0.15		
SM - 35	34.5 ±0.15		
SM - 35.5	35 ±0.15		
SM - 36	35.5 ±0.15		
SM - 38	37.5 ±0.15		
SM - 39	38.5 ±0.15		
SM - 40	39.5 ±0.15		
SM - 42	41.5 ±0.25		
SM - 44	43.5 ±0.25		
SM - 45	44.5 ±0.25		
SM - 46	45.5 ±0.25		
SM - 48	47.5 ±0.25		
SM - 50	49.5 ±0.25		
SM - 53	52.5 ±0.25		
SM - 55	54.5 ±0.25		
SM - 56	55.5 ±0.25		
SM - 60	59.5 ±0.25		
SM - 63	62.5 ±0.25		
SM - 65	64.5 ±0.25		
SM - 67	66.5 ±0.25		
SM - 70	69.5 ±0.25		
SM - 71	70.5 ±0.4		
SM - 75	74.5 ±0.4		
SM - 80	79.5 ±0.4		
SM - 85	84.5 ±0.4		
SM - 90	89.5 ±0.4		
SM - 95	94.5 ±0.4		
SM - 100	99.5 ±0.4		
SM - 105	104.5 ±0.4		
SM - 110	109.5 ±0.4		
SM - 112	111.5 ±0.4		
SM - 115	114.5 ±0.4		
SM - 120	119.5 ±0.4		
SM - 125	124.5 ±0.4		
SM - 130	129.5 ±0.6		

SM - O RINGS	WIDTH	I.D.
SM - 132		131.5 ±0.6
SM - 135		134.5 ±0.6
SM - 140		139.5 ±0.6
SM - 145		144.5 ±0.6
SM - 150		149.5 ±0.6

KS-O RINGS	WIDTH	I.D.
KS - 1	1.7 ±0.08	2.75 ±0.13
KS - 2		3.75 ±0.13
KS - 3		4.75 ±0.13
KS - 4		5.75 ±0.13
KS - 5		6.75 ±0.13
KS - 6		7.75 ±0.13
KS - 7		8.75 ±0.13
KS - 8		9.75 ±0.13
KS - 9	2.25 ±0.08	9.7 ±0.13
KS - 10		11.7 ±0.13
KS - 11		13.7 ±0.13
KS - 12		15.7 ±0.13
KS - 13		17.7 ±0.13
KS - 14		19.7 ±0.13
KS - 15	3.3 ±0.10	19.6 ±0.15
KS - 16		21.6 ±0.15
KS - 17		23.6 ±0.15
KS - 18		24.6 ±0.15
KS - 19		25.6 ±0.15
KS - 20		27.6 ±0.15
KS - 21		29.6 ±0.15
KS - 22		31.6 ±0.15
KS - 23		33.6 ±0.15
KS - 24		35.6 ±0.15
KS - 25		37.6 ±0.15
KS - 26	39.6 ±0.15	



O-RINGS - 70 DURO NITRILE



PART NUMBERS

MOR - 3 X 1
 Type of Seal | Inside Diameter | Cross Section

SEAL INFORMATION	
MATERIAL	70A DURO NITRILE
TEMPERATURE RANGE	-40° TO +220° F
SPEED	3 FT/SEC

Part Number	A Nom. ID	B Nom. OD	Package Quantity	List Price
1mm C/S				
MOR-3X1	3	5	100	\$0.09
MOR-4X1	4	6	100	0.17
MOR-5X1	5	7	100	0.23
MOR-6X1	6	8	100	0.09
MOR-6.5X1	6.5	8.5	100	0.28
MOR-8X1	8	10	100	0.09
MOR-15X1	15	17	100	0.09
MOR-16X1	16	18	100	0.34
MOR-19X1	19	21	100	0.34
MOR-21X1	21	23	100	0.38
1.2mm C/S				
MOR-85.3X1.2	85.3	87.7	1	\$2.28
1.5mm C/S				
MOR-2.5X1.5	2.5	5.5	100	\$0.43
MOR-3X1.5	3	6	100	0.12
MOR-3.5X1.5	3.5	6.5	100	0.12
MOR-4X1.5	4	7	100	0.17
MOR-5X1.5	5	8	100	0.09
MOR-5.5X1.5	5.5	8.5	1	0.19
MOR-6X1.5	6	9	100	0.09
MOR-7X1.5	7	10	100	0.19
MOR-8X1.5	8	11	100	0.20
MOR-8.5X1.5	8.5	11.5	100	0.20
MOR-9X1.5	9	12	100	0.09
MOR-10X1.5	10	13	100	0.09
MOR-11X1.5	11	14	100	0.24
MOR-12X1.5	12	15	100	0.09
MOR-13X1.5	13	16	100	0.09
MOR-14X1.5	14	17	100	0.27
MOR-15X1.5	15	18	100	0.09
MOR-16X1.5	16	19	100	0.09
MOR-17X1.5	17	20	100	0.38
MOR-17.5X1.5	17.5	20.5	100	0.11
MOR-18X1.5	18	21	100	0.11
MOR-19X1.5	19	22	100	0.11
MOR-20X1.5	20	23	100	0.11
MOR-22X1.5	22	25	100	0.11
MOR-23X1.5	23	26	100	0.11

O-RINGS - 70 DURO NITRILE



Part Number	A Nom. ID	B Nom. OD	Package Quantity	List Price
MOR-25X1.5	25	28	100	0.13
MOR-26X1.5	26	29	100	0.50
MOR-27X1.5	27	30	100	0.13
MOR-28X1.5	28	31	100	0.13
MOR-30X1.5	30	33	50	0.50
MOR-32X1.5	32	35	50	0.64
MOR-35X1.5	35	38	50	0.64
MOR-36X1.5	36	39	50	0.72
MOR-41X1.5	41	44	50	0.72
MOR-42X1.5	42	45	25	0.33
MOR-43X1.5	43	46	25	0.33
MOR-45X1.5	45	48	25	0.33
MOR-46X1.5	46	49	25	0.90
MOR-47X1.5	47	50	25	0.90
MOR-53X1.5	53	56	20	0.57
MOR-57X1.5	57	60	20	0.63
MOR-65X1.5	65	68	20	0.65
MOR-72X1.5	72	75	20	0.79
1.6mm C/S				
MOR-2.2X1.6	2.2	5.4	100	\$0.11
MOR-3.1X1.6	3.1	6.3	100	0.12
MOR-4.1X1.6	4.1	7.3	100	0.12
MOR-5.1X1.6	5.1	8.3	100	0.18
MOR-6.1X1.6	6.1	9.3	100	0.18
MOR-7.1X1.6	7.1	10.3	25	0.36
MOR-8.1X1.6	8.1	11.3	25	0.41
MOR-9.1X1.6	9.1	12.3	25	0.42
MOR-10.1X1.6	10.1	13.3	25	0.42
MOR-11.1X1.6	11.1	14.3	20	0.48
MOR-12.1X1.6	12.1	15.3	20	0.49
MOR-13.1X1.6	13.1	16.3	20	0.55
MOR-14.1X1.6	14.1	17.3	20	0.59
MOR-15.1X1.6	15.1	18.3	20	0.59
MOR-16.1X1.6	16.1	19.3	20	0.76
MOR-17.1X1.6	17.1	20.3	20	0.79
MOR-18.1X1.6	18.1	21.3	20	0.83
MOR-19.1X1.6	19.1	22.3	20	0.83
MOR-22.1X1.6	22.1	25.3	5	2.25
MOR-25.1X1.6	25.1	28.3	5	2.68
MOR-27.1X1.6	27.1	30.3	5	2.68
MOR-29.1X1.6	29.1	32.3	5	2.97
MOR-32.1X1.6	32.1	35.3	2	5.61
MOR-35.1X1.6	35.1	38.3	2	5.61
MOR-37.1X1.6	37.1	40.3	2	5.61
1.78mm C/S				
MOR-104.4X1.78	104.4	107.96	1	\$24.82
1.8mm C/S				
MOR-6.3X1.8	6.3	9.9	50	\$0.23
MOR-7.5X1.8	7.5	11.1	50	0.24
MOR-9.5X1.8	9.5	13.1	50	0.25

O-RINGS - 70 DURO NITRILE

Part Number	A Nom. ID	B Nom. OD	Package Quantity	List Price
MOR-10.6X1.8	10.6	14.2	50	0.33
MOR-12.5X1.8	12.5	16.1	25	0.34
1.9mm C/S				
MOR-2.8X1.9	2.8	6.6	100	\$0.09
MOR-3.8X1.9	3.8	7.6	100	0.09
MOR-4.8X1.9	4.8	8.6	100	0.09
MOR-5.8X1.9	5.8	9.6	100	0.09
MOR-6.8X1.9	6.8	10.6	100	0.11
MOR-7.8X1.9	7.8	11.6	100	0.11
MOR-8.8X1.9	8.8	12.6	100	0.11
MOR-9.8X1.9	9.8	13.6	100	0.11
MOR-15.8X1.9	15.8	19.6	100	0.11
2mm C/S				
MOR-3X2	3	7	100	\$0.09
MOR-4X2	4	8	100	0.18
MOR-5X2	5	9	100	0.09
MOR-6X2	6	10	100	0.09
MOR-7X2	7	11	100	0.09
MOR-8X2	8	12	100	0.09
MOR-9X2	9	13	100	0.20
MOR-10X2	10	14	100	0.09
MOR-11X2	11	15	100	0.11
MOR-12X2	12	16	100	0.24
MOR-12.5X2	12.5	16.5	100	0.25
MOR-13X2	13	17	100	0.11
MOR-14X2	14	18	100	0.11
MOR-15X2	15	19	100	0.11
MOR-16X2	16	20	100	0.11
MOR-16.5X2	16.5	20.5	100	0.17
MOR-17X2	17	21	100	0.11
MOR-18X2	18	22	100	0.11
MOR-19X2	19	23	100	0.12
MOR-20X2	20	24	50	0.23
MOR-21X2	21	25	50	0.23
MOR-22X2	22	26	50	0.43
MOR-23X2	23	27	50	0.23
MOR-23.5X2	23.5	27.5	50	0.43
MOR-24X2	24	28	50	0.24
MOR-24.5X2	24.5	28.5	50	0.27
MOR-26X2	26	30	50	0.29
MOR-27X2	27	31	50	0.29
MOR-28X2	28	32	50	0.31
MOR-28.5X2	28.5	32.5	25	0.65
MOR-30X2	30	34	25	0.36
MOR-31X2	31	35	25	0.36
MOR-34X2	34	38	25	0.36
MOR-35X2	35	39	25	0.64
MOR-35.5X2	35.5	39.5	25	0.19
MOR-36X2	36	40	25	0.36
MOR-37X2	37	41	25	0.41

O-RINGS - 70 DURO NITRILE



Part Number	A Nom. ID	B Nom. OD	Package Quantity	List Price
MOR-37.5X2	37.5	41.5	25	0.42
MOR-39X2	39	43	20	0.48
MOR-39.5X2	39.5	43.5	20	0.48
MOR-42X2	42	46	20	0.48
MOR-43X2	43	47	20	0.48
MOR-44X2	44	48	20	0.49
MOR-45X2	45	49	20	0.49
MOR-46X2	46	50	20	0.65
MOR-48X2	48	52	20	0.67
MOR-50X2	50	54	20	0.67
MOR-52X2	52	56	20	0.67
MOR-53X2	53	57	20	0.67
MOR-55X2	55	59	20	0.77
MOR-56X2	56	60	20	0.77
MOR-57X2	57	61	20	0.79
MOR-58X2	58	62	20	0.79
MOR-63X2	63	67	20	0.79
MOR-64.5X2	64.5	68.5	20	0.82
MOR-66X2	66	70	10	1.14
MOR-67X2	67	71	10	1.14
MOR-68X2	68	72	10	1.14
MOR-69.5X2	69.5	73.5	10	1.14
MOR-70X2	70	74	10	1.15
MOR-72X2	72	76	10	1.15
MOR-73X2	73	77	10	1.19
MOR-74X2	74	78	10	1.22
MOR-74.5X2	74.5	78.5	10	1.28
MOR-76X2	76	80	10	1.28
MOR-77X2	77	81	10	1.29
MOR-78X2	78	82	10	1.30
MOR-79.5X2	79.5	83.5	10	1.30
MOR-80X2	80	84	10	1.30
MOR-84.5X2	84.5	88.5	10	1.30
MOR-85X2	85	89	10	1.35
MOR-86X2	86	90	10	1.35
MOR-90X2	90	94	10	1.36
MOR-93X2	93	97	10	1.36
MOR-100X2	100	104	10	1.60
MOR-114.5X2	114.5	118.5	5	2.26
MOR-125X2	125	129	5	1.96
MOR-266.9X2	266.9	270.9	1	23.76
2.4mm C/S				
MOR-3.3X2.4	3.3	8.1	100	\$0.09
MOR-3.6X2.4	3.6	8.4	50	0.29
MOR-4.3X2.4	4.3	9.1	50	0.29
MOR-4.6X2.4	4.6	9.4	50	0.29
MOR-5.3X2.4	5.3	10.1	50	0.29
MOR-5.6X2.4	5.6	10.4	50	0.31
MOR-6.3X2.4	6.3	11.1	50	0.33
MOR-6.6X2.4	6.6	11.4	25	0.33

O-RINGS - 70 DURO NITRILE

Part Number	A Nom. ID	B Nom. OD	Package Quantity	List Price
MOR-7.3X2.4	7.3	12.1	25	0.33
MOR-7.6X2.4	7.6	12.4	25	0.33
MOR-8.3X2.4	8.3	13.1	25	0.46
MOR-8.6X2.4	8.6	13.4	25	0.46
MOR-9.3X2.4	9.3	14.1	20	0.48
MOR-9.6X2.4	9.6	14.4	20	0.48
MOR-9.8X2.4	9.8	14.6	100	0.06
MOR-10.3X2.4	10.3	15.1	20	0.48
MOR-10.6X2.4	10.6	15.4	20	0.49
MOR-10.8X2.4	10.8	15.6	100	0.09
MOR-11X2.4	11	15.8	100	0.09
MOR-11.3X2.4	11.3	16.1	20	0.48
MOR-11.6X2.4	11.6	16.4	20	0.55
MOR-11.8X2.4	11.8	16.6	100	0.55
MOR-12.3X2.4	12.3	17.1	20	0.57
MOR-12.6X2.4	12.6	17.4	20	0.58
MOR-12.8X2.4	12.8	17.6	100	0.46
MOR-13.3X2.4	13.3	18.1	20	0.57
MOR-13.6X2.4	13.6	18.4	100	0.08
MOR-13.8X2.4	13.8	18.6	100	0.11
MOR-14.3X2.4	14.3	19.1	10	0.90
MOR-14.8X2.4	14.8	19.6	100	0.77
MOR-15.8X2.4	15.8	20.6	100	0.11
MOR-16.3X2.4	16.3	21.1	10	0.99
MOR-16.6X2.4	16.6	21.4	20	0.59
MOR-17.3X2.4	17.3	22.1	10	1.00
MOR-17.6X2.4	17.6	22.4	1	0.30
MOR-17.8X2.4	17.8	22.6	100	0.11
MOR-18.8X2.4	18.8	23.6	100	0.12
MOR-19.6X2.4	19.6	24.4	20	0.60
MOR-19.8X2.4	19.8	24.6	100	0.96
MOR-20.8X2.4	20.8	25.6	100	0.12
MOR-21.8X2.4	21.8	26.6	100	0.13
MOR-27.3X2.4	27.3	32.1	10	1.19
MOR-27.6X2.4	27.6	32.4	10	1.35
MOR-29.6X2.4	29.6	34.4	10	1.46
MOR-31.6X2.4	31.6	36.4	10	1.57
MOR-34.6X2.4	34.6	39.4	10	1.26
MOR-37.6X2.4	37.6	42.4	10	1.36
MOR-39.6X2.4	39.6	44.4	10	1.55
MOR-44.6X2.4	44.6	49.4	10	1.58
MOR-47.6X2.4	47.6	52.4	5	1.69
MOR-49.6X2.4	49.6	54.4	5	1.71
MOR-51.6X2.4	51.6	56.4	5	1.80
MOR-52.8X2.4	52.8	57.6	10	1.23
MOR-54.6X2.4	54.6	59.4	5	1.79
MOR-55.5X2.4	55.5	60.3	5	2.38
MOR-57.6X2.4	57.6	62.4	5	2.01
MOR-59.6X2.4	59.6	64.4	5	2.02
MOR-59.7X2.4	59.7	64.5	5	2.43

O-RINGS - 70 DURO NITRILE

Part Number	A Nom. ID	B Nom. OD	Package Quantity	List Price
MOR-61.6X2.4	61.6	66.4	5	2.06
MOR-64.6X2.4	64.6	69.4	5	2.11
MOR-67.6X2.4	67.6	72.4	5	2.17
MOR-69.6X2.4	69.6	74.4	5	2.25
MOR-98.3X2.4	98.3	103.1	1	1.41
MOR-125.3X2.4	125.3	130.1	5	4.18
2.5mm C/S				
MOR-4X2.5	4	9	100	\$0.20
MOR-5X2.5	5	10	100	0.20
MOR-6X2.5	6	11	100	0.09
MOR-7X2.5	7	12	100	0.20
MOR-8X2.5	8	13	100	0.09
MOR-9X2.5	9	14	100	0.09
MOR-10X2.5	10	15	100	0.11
MOR-11X2.5	11	16	100	0.11
MOR-12X2.5	12	17	100	0.11
MOR-13X2.5	13	18	100	0.12
MOR-14X2.5	14	19	100	0.12
MOR-15X2.5	15	20	100	0.12
MOR-16X2.5	16	21	100	0.38
MOR-17X2.5	17	22	100	0.13
MOR-18X2.5	18	23	100	0.38
MOR-19X2.5	19	24	50	0.38
MOR-20X2.5	20	25	50	0.43
MOR-21X2.5	21	26	50	0.19
MOR-22X2.5	22	27	50	0.23
MOR-23X2.5	23	28	50	0.23
MOR-24X2.5	24	29	50	0.24
MOR-25X2.5	25	30	50	0.27
MOR-26X2.5	26	31	50	0.27
MOR-27X2.5	27	32	50	0.27
MOR-28X2.5	28	33	50	0.27
MOR-29X2.5	29	34	50	0.29
MOR-30X2.5	30	35	50	0.29
MOR-31X2.5	31	36	50	0.64
MOR-32X2.5	32	37	50	0.29
MOR-35X2.5	35	40	25	0.64
MOR-36X2.5	36	41	25	0.72
MOR-37X2.5	37	42	25	0.41
MOR-37.5X2.5	37.5	42.5	20	0.49
MOR-38X2.5	38	43	20	0.49
MOR-39X2.5	39	44	20	0.55
MOR-40X2.5	40	45	20	0.55
MOR-42X2.5	42	47	20	0.55
MOR-45X2.5	45	50	20	0.57
MOR-46X2.5	46	51	20	0.60
MOR-47X2.5	47	52	20	0.60
MOR-48X2.5	48	53	20	0.60
MOR-49X2.5	49	54	20	0.63
MOR-50X2.5	50	55	20	0.63

O-RINGS - 70 DURO NITRILE

Part Number	A Nom. ID	B Nom. OD	Package Quantity	List Price
MOR-53X2.5	53	58	20	0.69
MOR-54X2.5	54	59	20	0.69
MOR-55X2.5	55	60	20	0.77
MOR-57X2.5	57	62	20	0.77
MOR-58X2.5	58	63	20	0.79
MOR-59X2.5	59	64	20	0.79
MOR-60X2.5	60	65	20	0.70
MOR-63X2.5	63	68	10	1.06
MOR-65X2.5	65	70	10	1.08
MOR-67X2.5	67	72	10	1.08
MOR-69X2.5	69	74	10	1.22
MOR-70X2.5	70	75	10	1.22
MOR-72X2.5	72	77	10	1.23
MOR-73X2.5	73	78	10	1.23
MOR-75X2.5	75	80	10	1.24
MOR-76X2.5	76	81	10	1.24
MOR-80X2.5	80	85	10	1.47
MOR-85X2.5	85	90	10	1.48
MOR-90X2.5	90	95	10	1.49
MOR-94X2.5	94	99	10	1.55
MOR-100X2.5	100	105	5	1.82
MOR-110X2.5	110	115	5	2.03
MOR-116X2.5	116	121	5	2.24
MOR-120X2.5	120	125	5	2.25
MOR-140X2.5	140	145	5	2.32
MOR-271.5X2.5	271.5	276.5	1	31.15
2.65mm C/S				
MOR-14X2.65	14	19.3	50	\$0.23
MOR-15X2.65	15	20.3	50	0.25
MOR-16X2.65	16	21.3	50	0.25
MOR-18X2.65	18	23.3	50	0.27
MOR-25X2.65	25	30.3	25	0.33
MOR-30X2.65	30	35.3	25	0.42
3mm C/S				
MOR-5X3	5	11	100	\$0.20
MOR-6X3	6	12	100	0.11
MOR-8X3	8	14	100	0.12
MOR-9X3	9	15	100	0.12
MOR-9.5X3	9.5	15.5	100	0.13
MOR-10X3	10	16	100	0.13
MOR-11X3	11	17	100	0.13
MOR-12X3	12	18	100	0.28
MOR-13X3	13	19	50	0.19
MOR-14X3	14	20	50	0.19
MOR-15X3	15	21	50	0.23
MOR-16X3	16	22	50	0.23
MOR-17X3	17	23	50	0.24
MOR-18X3	18	24	50	0.25
MOR-19X3	19	25	50	0.25
MOR-19.2X3	19.2	25.2	50	0.25

O-RINGS - 70 DURO NITRILE



Part Number	A Nom. ID	B Nom. OD	Package Quantity	List Price
MOR-20X3	20	26	50	0.27
MOR-21X3	21	27	50	0.29
MOR-22X3	22	28	50	0.29
MOR-22.2X3	22.2	28.2	50	0.31
MOR-23X3	23	29	50	0.31
MOR-24X3	24	30	50	0.31
MOR-24.2X3	24.2	30.2	15	3.00
MOR-25X3	25	31	25	0.33
MOR-26X3	26	32	25	0.33
MOR-27X3	27	33	25	0.34
MOR-28X3	28	34	25	0.34
MOR-29X3	29	35	25	0.41
MOR-30X3	30	36	25	0.41
MOR-31X3	31	37	25	0.42
MOR-32X3	32	38	25	0.42
MOR-33X3	33	39	25	0.46
MOR-34X3	34	40	20	0.46
MOR-35X3	35	41	20	0.49
MOR-36X3	36	42	20	0.49
MOR-36.2X3	36.2	42.2	20	0.55
MOR-36.5X3	36.5	42.5	20	0.57
MOR-37.5X3	37.5	43.5	20	0.58
MOR-38X3	38	44	20	0.58
MOR-39X3	39	45	20	0.58
MOR-40X3	40	46	20	0.60
MOR-41.5X3	41.5	47.5	20	1.18
MOR-42X3	42	48	20	0.63
MOR-42.2X3	42.2	48.2	20	0.63
MOR-43X3	43	49	20	0.63
MOR-44X3	44	50	20	0.67
MOR-45X3	45	51	20	0.67
MOR-46X3	46	52	20	0.69
MOR-47X3	47	53	20	0.69
MOR-48X3	48	54	20	0.69
MOR-49.5X3	49.5	55.5	20	0.77
MOR-51X3	51	57	20	0.79
MOR-52X3	52	58	20	0.79
MOR-54X3	54	60	20	0.79
MOR-54.5X3	54.5	60.5	20	0.79
MOR-55X3	55	61	20	0.79
MOR-56X3	56	62	20	0.82
MOR-57X3	57	63	20	0.82
MOR-58X3	58	64	20	0.82
MOR-59X3	59	65	20	0.83
MOR-59.5X3	59.5	65.5	20	0.83
MOR-60X3	60	66	20	0.83
MOR-62X3	62	68	10	0.83
MOR-63X3	63	69	10	0.96
MOR-64X3	64	70	10	1.01
MOR-64.5X3	64.5	70.5	10	1.06

O-RINGS - 70 DURO NITRILE

Part Number	A Nom. ID	B Nom. OD	Package Quantity	List Price
MOR-65X3	65	71	10	1.12
MOR-66X3	66	72	10	1.23
MOR-67X3	67	73	10	1.23
MOR-68X3	68	74	10	1.23
MOR-69X3	69	75	10	1.23
MOR-70X3	70	76	10	1.23
MOR-72X3	72	78	10	1.26
MOR-74X3	74	80	10	1.26
MOR-74.5X3	74.5	80.5	10	1.30
MOR-75X3	75	81	10	1.35
MOR-76X3	76	82	10	1.36
MOR-77X3	77	83	10	1.36
MOR-78X3	78	84	10	1.37
MOR-79X3	79	85	10	1.37
MOR-79.5X3	79.5	85.5	10	1.38
MOR-80X3	80	86	10	1.38
MOR-82X3	82	88	10	1.49
MOR-85X3	85	91	10	1.49
MOR-86X3	86	92	10	1.57
MOR-88X3	88	94	10	1.57
MOR-89X3	89	95	10	1.57
MOR-90X3	90	96	10	1.58
MOR-92X3	92	98	10	1.58
MOR-94X3	94	100	1	2.84
MOR-94.5X3	94.5	100.5	10	1.59
MOR-95X3	95	101	10	1.59
MOR-96X3	96	102	10	1.59
MOR-97X3	97	103	10	1.60
MOR-99X3	99	105	5	1.71
MOR-100X3	100	106	5	1.71
MOR-104X3	104	110	5	1.76
MOR-104.5X3	104.5	110.5	5	1.76
MOR-105X3	105	111	1	1.86
MOR-106X3	106	112	5	1.78
MOR-108X3	108	114	5	1.78
MOR-109.5X3	109.5	115.5	5	1.78
MOR-110X3	110	116	5	1.78
MOR-114.5X3	114.5	120.5	5	1.79
MOR-115X3	115	121	5	1.79
MOR-118X3	118	124	5	1.80
MOR-120X3	120	126	5	1.82
MOR-125X3	125	131	5	1.83
MOR-128X3	128	134	5	1.90
MOR-130X3	130	136	5	1.88
MOR-132X3	132	138	5	2.06
MOR-135X3	135	141	5	2.07
MOR-139.5X3	139.5	145.5	5	2.09
MOR-144.5X3	144.5	150.5	1	7.66
MOR-145X3	145	151	5	2.09
MOR-149X3	149	155	5	2.11

O-RINGS - 70 DURO NITRILE



Part Number	A Nom. ID	B Nom. OD	Package Quantity	List Price
MOR-150X3	150	156	5	2.12
MOR-155X3	155	161	5	3.13
MOR-160X3	160	166	5	3.14
MOR-170X3	170	176	5	3.21
MOR-175X3	175	181	2	3.62
MOR-180X3	180	186	2	3.64
MOR-194X3	194	200	2	4.10
MOR-205X3	205	211	2	4.15
MOR-215X3	215	221	2	5.61
MOR-220X3	220	226	2	5.63
MOR-225X3	225	231	2	5.75
MOR-240X3	240	246	2	6.62
MOR-245X3	245	251	2	14.96
MOR-260X3	260	266	1	11.95
3.1mm C/S				
MOR-24.4X3.1	24.4	30.6	25	\$0.36
MOR-29.4X3.1	29.4	35.6	20	0.48
MOR-32X3.1	32	38.2	20	2.08
MOR-34.4X3.1	34.4	40.6	20	0.63
MOR-39.4X3.1	39.4	45.6	20	0.67
MOR-44.4X3.1	44.4	50.6	10	2.38
MOR-49.4X3.1	49.4	55.6	10	3.20
MOR-54.4X3.1	54.4	60.6	10	1.01
MOR-57.4X3.1	57.4	63.6	10	1.14
MOR-59.4X3.1	59.4	65.6	10	1.15
MOR-64.4X3.1	64.4	70.6	10	1.22
MOR-69.4X3.1	69.4	75.6	10	1.47
MOR-74.4X3.1	74.4	80.6	5	1.76
MOR-79.4X3.1	79.4	85.6	5	1.78
MOR-84.4X3.1	84.4	90.6	5	6.32
MOR-89.4X3.1	89.4	95.6	5	1.83
MOR-94.4X3.1	94.4	100.6	5	7.43
MOR-99.4X3.1	99.4	105.6	5	2.06
MOR-104.4X3.1	104.4	110.6	5	2.09
MOR-109.4X3.1	109.4	115.6	5	8.93
MOR-114.4X3.1	114.4	120.6	5	2.71
MOR-119.4X3.1	119.4	125.6	5	2.83
MOR-124.4X3.1	124.4	130.6	5	9.68
MOR-129.4X3.1	129.4	135.6	5	2.90
MOR-134.4X3.1	134.4	140.6	2	10.74
MOR-139.4X3.1	139.4	145.6	2	11.10
MOR-144.4X3.1	144.4	150.6	2	3.49
MOR-149.4X3.1	149.4	155.6	2	4.91
3.3mm C/S				
MOR-16.6X3.3	16.6	23.2	5	\$2.25
3.5mm C/S				
MOR-14X3.5	14	21	50	\$0.41
MOR-15X3.5	15	22	50	0.41
MOR-16X3.5	16	23	50	0.48
MOR-20X3.5	20	27	50	0.27

O-RINGS - 70 DURO NITRILE

Part Number	A Nom. ID	B Nom. OD	Package Quantity	List Price
MOR-21X3.5	21	28	50	0.29
MOR-21.7X3.5	21.7	28.7	25	0.34
MOR-22X3.5	22	29	25	0.34
MOR-22.1X3.5	22.1	29.1	25	1.17
MOR-23.7X3.5	23.7	30.7	25	1.24
MOR-24.7X3.5	24.7	31.7	25	0.36
MOR-25X3.5	25	32	25	0.33
MOR-25.2X3.5	25.2	32.2	25	1.36
MOR-25.7X3.5	25.7	32.7	25	0.46
MOR-27.7X3.5	27.7	34.7	20	0.48
MOR-28.7X3.5	28.7	35.7	20	0.48
MOR-29.2X3.5	29.2	36.2	20	1.55
MOR-29.7X3.5	29.7	36.7	20	0.48
MOR-30X3.5	30	37	20	0.49
MOR-30.7X3.5	30.7	37.7	20	0.49
MOR-31.2X3.5	31.2	38.2	20	0.49
MOR-31.7X3.5	31.7	38.7	20	0.49
MOR-33.7X3.5	33.7	40.7	20	0.60
MOR-34.7X3.5	34.7	41.7	20	2.09
MOR-35.2X3.5	35.2	42.2	20	2.19
MOR-35.7X3.5	35.7	42.7	20	2.38
MOR-37X3.5	37	44	20	0.63
MOR-37.7X3.5	37.7	44.7	20	0.64
MOR-38X3.5	38	45	20	0.64
MOR-38.7X3.5	38.7	45.7	20	0.64
MOR-39.7X3.5	39.7	46.7	20	2.79
MOR-40.7X3.5	40.7	47.7	20	2.79
MOR-41.7X3.5	41.7	48.7	20	0.67
MOR-42X3.5	42	49	20	0.76
MOR-43.7X3.5	43.7	50.7	10	0.87
MOR-44.7X3.5	44.7	51.7	10	0.88
MOR-45.7X3.5	45.7	52.7	10	0.88
MOR-47.7X3.5	47.7	54.7	10	0.90
MOR-48.7X3.5	48.7	55.7	10	0.90
MOR-49.7X3.5	49.7	56.7	10	0.93
MOR-50X3.5	50	57	10	0.90
MOR-52X3.5	52	59	10	0.90
MOR-56X3.5	56	63	10	0.94
MOR-58X3.5	58	65	10	0.94
MOR-60X3.5	60	67	10	0.98
MOR-63X3.5	63	70	10	1.22
MOR-65X3.5	65	72	10	1.26
MOR-69X3.5	69	76	10	1.28
MOR-71X3.5	71	78	10	1.30
MOR-73X3.5	73	80	10	1.46
MOR-75X3.5	75	82	1	0.81
MOR-86X3.5	86	93	5	1.76
MOR-87X3.5	87	94	5	1.87
MOR-105X3.5	105	112	5	2.15
MOR-112X3.5	112	119	5	2.32

O-RINGS - 70 DURO NITRILE



Part Number	A Nom. ID	B Nom. OD	Package Quantity	List Price
MOR-118X3.5	118	125	5	2.43
MOR-120X3.5	120	127	5	2.47
MOR-132X3.5	132	139	5	2.97
MOR-145X3.5	145	152	5	3.41
MOR-170X3.5	170	177	2	3.65
MOR-175X3.5	175	182	2	4.15
MOR-180X3.5	180	187	2	4.20
MOR-200X3.5	200	207	2	6.29
MOR-202X3.5	202	209	2	5.61
MOR-210X3.5	210	217	2	6.01
4mm C/S				
MOR-9X4	9	17	50	\$0.19
MOR-11X4	11	19	50	0.23
MOR-12X4	12	20	50	0.23
MOR-14X4	14	22	50	0.24
MOR-15X4	15	23	50	0.24
MOR-16X4	16	24	50	0.57
MOR-17X4	17	25	50	0.57
MOR-19X4	19	27	50	0.29
MOR-20X4	20	28	50	0.31
MOR-21X4	21	29	50	0.31
MOR-22X4	22	30	25	0.61
MOR-23X4	23	31	25	0.34
MOR-23.5X4	23.5	31.5	25	0.34
MOR-24X4	24	32	25	0.34
MOR-25X4	25	33	25	0.41
MOR-27X4	27	35	25	0.42
MOR-28X4	28	36	25	0.42
MOR-30X4	30	38	20	0.48
MOR-31X4	31	39	20	0.49
MOR-32X4	32	40	20	0.58
MOR-33X4	33	41	20	0.58
MOR-34X4	34	42	20	0.58
MOR-35X4	35	43	20	0.59
MOR-37X4	37	45	20	0.63
MOR-38X4	38	46	20	0.63
MOR-40X4	40	48	20	0.65
MOR-41X4	41	49	20	0.67
MOR-42X4	42	50	20	0.67
MOR-44X4	44	52	20	0.69
MOR-45X4	45	53	20	0.69
MOR-47X4	47	55	10	0.87
MOR-48X4	48	56	10	0.87
MOR-50X4	50	58	10	0.94
MOR-52X4	52	60	10	0.98
MOR-54X4	54	62	10	0.99
MOR-55X4	55	63	10	0.99
MOR-56X4	56	64	10	0.99
MOR-57X4	57	65	10	1.00
MOR-58X4	58	66	10	1.00

O-RINGS - 70 DURO NITRILE

Part Number	A Nom. ID	B Nom. OD	Package Quantity	List Price
MOR-60X4	60	68	10	1.22
MOR-62X4	62	70	10	1.23
MOR-64X4	64	72	10	1.23
MOR-65X4	65	73	10	1.24
MOR-66X4	66	74	10	1.46
MOR-67X4	67	75	10	1.47
MOR-68X4	68	76	10	1.47
MOR-70X4	70	78	10	1.47
MOR-72X4	72	80	10	1.49
MOR-75X4	75	83	10	1.59
MOR-76X4	76	84	5	1.76
MOR-78X4	78	86	5	1.76
MOR-80X4	80	88	5	1.78
MOR-82X4	82	90	5	1.80
MOR-84X4	84	92	5	1.79
MOR-86X4	86	94	5	1.80
MOR-89X4	89	97	5	1.82
MOR-90X4	90	98	5	1.82
MOR-92X4	92	100	5	1.89
MOR-95X4	95	103	5	1.90
MOR-96X4	96	104	5	2.24
MOR-98X4	98	106	5	2.24
MOR-100X4	100	108	5	2.24
MOR-102X4	102	110	5	2.27
MOR-104X4	104	112	5	2.30
MOR-105X4	105	113	5	2.30
MOR-108X4	108	116	5	2.32
MOR-110X4	110	118	5	2.36
MOR-112X4	112	120	5	2.37
MOR-114X4	114	122	5	2.37
MOR-115X4	115	123	5	2.37
MOR-116X4	116	124	5	2.38
MOR-117X4	117	125	5	2.38
MOR-118X4	118	126	5	2.38
MOR-119X4	119	127	5	2.40
MOR-120X4	120	128	5	2.40
MOR-124X4	124	132	5	2.43
MOR-126X4	126	134	5	2.47
MOR-127X4	127	135	5	2.47
MOR-128X4	128	136	5	2.54
MOR-129X4	129	137	5	2.54
MOR-130X4	130	138	5	2.54
MOR-132X4	132	140	5	2.57
MOR-133X4	133	141	5	2.57
MOR-134X4	134	142	5	2.60
MOR-136X4	136	144	5	3.21
MOR-137X4	137	145	5	3.21
MOR-140X4	140	148	5	2.67
MOR-142X4	142	150	5	2.67
MOR-146X4	146	154	5	2.71

O-RINGS - 70 DURO NITRILE



Part Number	A Nom. ID	B Nom. OD	Package Quantity	List Price
MOR-150X4	150	158	5	2.97
MOR-155X4	155	163	5	2.83
MOR-160X4	160	168	5	2.84
MOR-164X4	164	172	5	2.86
MOR-170X4	170	178	5	3.19
MOR-172X4	172	180	5	5.78
MOR-177X4	177	185	5	5.85
MOR-180X4	180	188	5	5.91
MOR-200X4	200	208	5	7.26
MOR-240X4	240	248	2	9.28
MOR-250X4	250	258	2	9.36
MOR-265X4	265	273	2	9.44
MOR-270X4	270	278	2	9.44
MOR-285X4	285	293	1	11.95
MOR-287X4	287	295	1	45.05
MOR-438X4	438	446	1	20.96
5mm C/S				
MOR-15X5	15	25	25	\$0.34
MOR-16X5	16	26	25	0.65
MOR-18X5	18	28	1	0.78
MOR-19X5	19	29	25	0.46
MOR-20X5	20	30	20	0.48
MOR-21X5	21	31	20	0.48
MOR-22X5	22	32	20	0.49
MOR-24X5	24	34	20	0.58
MOR-27X5	27	37	20	0.60
MOR-28X5	28	38	20	0.60
MOR-30X5	30	40	20	0.70
MOR-32X5	32	42	20	0.77
MOR-35X5	35	45	20	0.83
MOR-40X5	40	50	10	1.01
MOR-42X5	42	52	10	1.06
MOR-44X5	44	54	10	1.08
MOR-45X5	45	55	10	1.12
MOR-50X5	50	60	10	1.24
MOR-52X5	52	62	10	1.28
MOR-55X5	55	65	10	1.30
MOR-58X5	58	68	10	1.28
MOR-60X5	60	70	10	1.48
MOR-65X5	65	75	10	1.57
MOR-68X5	68	78	10	1.59
MOR-70X5	70	80	10	1.60
MOR-73X5	73	83	5	1.82
MOR-75X5	75	85	5	1.83
MOR-78X5	78	88	5	1.89
MOR-80X5	80	90	5	1.90
MOR-82X5	82	92	5	1.96
MOR-85X5	85	95	5	1.97
MOR-90X5	90	100	5	2.13
MOR-92X5	92	102	5	2.12

O-RINGS - 70 DURO NITRILE

Part Number	A Nom. ID	B Nom. OD	Package Quantity	List Price
MOR-95X5	95	105	5	2.30
MOR-97X5	97	107	5	2.49
MOR-100X5	100	110	5	2.57
MOR-105X5	105	115	5	2.61
MOR-107X5	107	117	5	2.62
MOR-108X5	108	118	5	2.62
MOR-110X5	110	120	5	2.64
MOR-112X5	112	122	5	2.67
MOR-118X5	118	128	5	2.73
MOR-120X5	120	130	5	3.02
MOR-121X5	121	131	5	3.02
MOR-122X5	122	132	5	3.03
MOR-125X5	125	135	5	3.05
MOR-130X5	130	140	5	3.07
MOR-138X5	138	148	5	3.19
MOR-140X5	140	150	5	3.21
MOR-150X5	150	160	5	2.97
MOR-155X5	155	165	2	4.13
MOR-158X5	158	168	2	4.14
MOR-160X5	160	170	2	4.15
MOR-165X5	165	175	2	4.41
MOR-173X5	173	183	2	4.42
MOR-175X5	175	185	2	4.43
MOR-180X5	180	190	2	4.62
MOR-195X5	195	205	2	5.33
MOR-200X5	200	210	2	5.39
MOR-205X5	205	215	2	14.47
MOR-220X5	220	230	2	8.45
MOR-225X5	225	235	2	9.05
MOR-235X5	235	245	1	10.04
MOR-240X5	240	250	1	10.16
MOR-245X5	245	255	1	10.35
MOR-250X5	250	260	1	10.56
MOR-255X5	255	265	1	10.67
MOR-265X5	265	275	1	11.19
MOR-275X5	275	285	1	11.29
MOR-290X5	290	300	1	13.85
MOR-300X5	300	310	1	13.85
MOR-330X5	330	340	1	13.98
MOR-345X5	345	355	1	15.59
MOR-395X5	395	405	1	18.82
5.25mm C/S				
MOR-182X5.25	182	192.5	1	\$4.09
5.3mm C/S				
MOR-40X5.3	40	50.6	10	\$1.01
MOR-41.3X5.3	41.3	51.9	1	6.68
MOR-45X5.3	45	55.6	10	1.26
MOR-50X5.3	50	60.6	10	1.28
MOR-58X5.3	58	68.6	10	1.59
MOR-61.3X5.3	61.3	71.9	1	6.94

O-RINGS - 70 DURO NITRILE

Part Number	A Nom. ID	B Nom. OD	Package Quantity	List Price
MOR-150X5.3	150	160.6	2	3.56
MOR-170X5.3	170	180.6	2	5.73
5.7mm C/S				
MOR-47.6X5.7	47.6	59	5	\$2.30
MOR-49.6X5.7	49.6	61	5	2.36
MOR-51.6X5.7	51.6	63	5	2.40
MOR-52.6X5.7	52.6	64	5	2.43
MOR-54.6X5.7	54.6	66	5	2.49
MOR-55.6X5.7	55.6	67	5	2.57
MOR-57.6X5.7	57.6	69	5	3.35
MOR-59.2X5.7	59.2	70.6	5	3.06
MOR-59.6X5.7	59.6	71	2	3.38
MOR-61.6X5.7	61.6	73	2	4.16
MOR-62.6X5.7	62.6	74	2	4.20
MOR-64.6X5.7	64.6	76	2	4.31
MOR-66.6X5.7	66.6	78	2	4.37
MOR-69.6X5.7	69.6	81	2	4.32
MOR-70.6X5.7	70.6	82	2	4.43
MOR-74.3X5.7	74.3	85.7	5	2.24
MOR-74.6X5.7	74.6	86	2	4.62
MOR-77.2X5.7	77.2	88.6	5	2.75
MOR-79.3X5.7	79.3	90.7	5	2.37
MOR-79.6X5.7	79.6	91	2	4.72
MOR-84.3X5.7	84.3	95.7	5	2.47
MOR-84.6X5.7	84.6	96	2	4.90
MOR-89.3X5.7	89.3	100.7	5	2.49
MOR-89.6X5.7	89.6	101	2	5.00
MOR-94.3X5.7	94.3	105.7	5	3.05
MOR-94.6X5.7	94.6	106	2	5.18
MOR-99.3X5.7	99.3	110.7	5	3.07
MOR-99.6X5.7	99.6	111	2	5.28
MOR-101.6X5.7	101.6	113	2	6.62
MOR-104.3X5.7	104.3	115.7	5	3.12
MOR-104.6X5.7	104.6	116	2	6.74
MOR-109.3X5.7	109.3	120.7	5	3.14
MOR-109.6X5.7	109.6	121	2	6.86
MOR-111.6X5.7	111.6	123	2	6.91
MOR-114.3X5.7	114.3	125.7	2	4.79
MOR-114.6X5.7	114.6	126	2	6.98
MOR-119.6X5.7	119.6	131	2	7.11
MOR-124.3X5.7	124.3	135.7	2	3.50
MOR-124.6X5.7	124.6	136	2	7.22
MOR-129.3X5.7	129.3	140.7	2	3.65
MOR-129.6X5.7	129.6	141	2	7.27
MOR-131.6X5.7	131.6	143	2	7.32
MOR-134.3X5.7	134.3	145.7	2	3.82
MOR-134.6X5.7	134.6	146	2	7.39
MOR-139.6X5.7	139.6	151	2	7.49
MOR-144.3X5.7	144.3	155.7	2	4.13
MOR-144.6X5.7	144.6	156	2	7.62

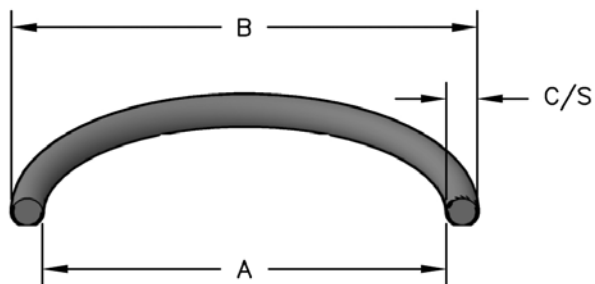
O-RINGS - 70 DURO NITRILE

Part Number	A Nom. ID	B Nom. OD	Package Quantity	List Price
MOR-149.3X5.7	149.3	160.7	2	5.68
MOR-149.6X5.7	149.6	161	2	9.07
MOR-154.3X5.7	154.3	165.7	2	5.75
MOR-159.3X5.7	159.3	170.7	2	5.72
MOR-164.3X5.7	164.3	175.7	2	5.78
MOR-169.3X5.7	169.3	180.7	2	5.89
MOR-174.3X5.7	174.3	185.7	2	7.93
MOR-179.3X5.7	179.3	190.7	2	14.89
MOR-184.3X5.7	184.3	195.7	2	8.10
MOR-189.3X5.7	189.3	200.7	2	8.17
MOR-194.3X5.7	194.3	205.7	2	8.26
MOR-199.3X5.7	199.3	210.7	2	9.64
MOR-209.3X5.7	209.3	220.7	2	9.81
MOR-214.3X5.7	214.3	225.7	2	9.83
MOR-219.3X5.7	219.3	230.7	2	10.01
MOR-224.3X5.7	224.3	235.7	1	10.16
MOR-229.3X5.7	229.3	240.7	1	10.16
MOR-234.3X5.7	234.3	245.7	1	10.90
MOR-239.3X5.7	239.3	250.7	1	11.10
MOR-249.3X5.7	249.3	260.7	1	11.70
MOR-254.3X5.7	254.3	265.7	1	12.78
MOR-259.3X5.7	259.3	270.7	1	12.83
MOR-269.3X5.7	269.3	280.7	1	12.94
MOR-279.3X5.7	279.3	290.7	1	13.67
MOR-289.3X5.7	289.3	300.7	1	14.45
MOR-299.3X5.7	299.3	310.7	1	14.54
MOR-304.3X5.7	304.3	315.7	1	17.03
MOR-309.3X5.7	309.3	320.7	1	17.03
MOR-359.3X5.7	359.3	370.7	1	19.75
MOR-399.3X5.7	399.3	410.7	1	26.04
MOR-404.3X5.7	404.3	415.7	1	26.38
MOR-424.3X5.7	424.3	435.7	1	26.90
MOR-439.3X5.7	439.3	450.7	1	28.63
MOR-444.3X5.7	444.3	455.7	1	28.82
MOR-459.3X5.7	459.3	470.7	1	30.38
MOR-464.3X5.7	464.3	475.7	1	30.59
MOR-469.3X5.7	469.3	480.7	1	30.92
MOR-489.3X5.7	489.3	500.7	1	32.05
MOR-494.3X5.7	494.3	505.7	1	32.28
MOR-499.3X5.7	499.3	510.7	1	32.84
6mm C/S				
MOR-20X6	20	32	10	\$0.90
MOR-25X6	25	37	10	0.90
MOR-37X6	37	49	10	1.37
MOR-46X6	46	58	10	1.38
MOR-114X6	114	126	5	5.50
MOR-160X6	160	172	2	4.81
MOR-242X6	242	254	1	12.12
MOR-335X6	335	347	1	27.19
6.99mm C/S				

O-RINGS - 70 DURO NITRILE

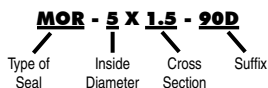
Part Number	A Nom. ID	B Nom. OD	Package Quantity	List Price
MOR-297.8X6.99	297.8	311.78	1	\$11.04
8mm C/S				
MOR-100X8	100	116	1	\$3.50
MOR-180X8	180	196	1	48.84
MOR-215X8	215	231	1	11.04
MOR-280X8	280	296	1	21.92
8.4mm C/S				
MOR-144.1X8.4	144.1	160.9	1	\$12.21
MOR-149.5X8.4	149.5	166.3	1	23.30
MOR-154.5X8.4	154.5	171.3	1	13.10
MOR-159.5X8.4	159.5	176.3	1	24.77
MOR-164.1X8.4	164.1	180.9	1	13.29
MOR-164.5X8.4	164.5	181.3	1	13.29
MOR-169.5X8.4	169.5	186.3	1	13.29
MOR-174.5X8.4	174.5	191.3	1	27.23
MOR-179.5X8.4	179.5	196.3	1	14.01
MOR-184.5X8.4	184.5	201.3	1	14.18
MOR-189.5X8.4	189.5	206.3	1	14.39
MOR-194.5X8.4	194.5	211.3	1	30.54
MOR-199.5X8.4	199.5	216.3	1	14.76
MOR-204.5X8.4	204.5	221.3	1	14.96
MOR-208.5X8.4	208.5	225.3	1	16.18
MOR-209.5X8.4	209.5	226.3	1	18.13
MOR-214.5X8.4	214.5	231.3	1	16.56
MOR-219.5X8.4	219.5	236.3	1	16.56
MOR-224.5X8.4	224.5	241.3	1	16.75
MOR-229.5X8.4	229.5	246.3	1	37.16
MOR-234.5X8.4	234.5	251.3	1	27.84
MOR-239.5X8.4	239.5	256.3	1	28.00
MOR-244.5X8.4	244.5	261.3	1	28.14
MOR-249.5X8.4	249.5	266.3	1	28.37
MOR-259.5X8.4	259.5	276.3	1	28.76
MOR-269.5X8.4	269.5	286.3	1	29.03
MOR-279.5X8.4	279.5	296.3	1	29.48
MOR-284.5X8.4	284.5	301.3	1	29.65
MOR-289.5X8.4	289.5	306.3	1	29.85
MOR-294.5X8.4	294.5	311.3	1	30.80
MOR-299.5X8.4	299.5	316.3	1	57.78
MOR-314.5X8.4	314.5	331.3	1	36.94
MOR-319.5X8.4	319.5	336.3	1	66.12
MOR-339.5X8.4	339.5	356.3	1	79.35
MOR-359.5X8.4	359.5	376.3	1	57.78
MOR-384.5X8.4	384.5	401.3	1	63.00
MOR-399.5X8.4	399.5	416.3	1	67.83
10mm C/S				
MOR-78X10	78	98	1	\$4.16
MOR-145X10	145	165	1	23.68
12mm C/S				
MOR-130X12	130	154	1	\$11.03

O-RINGS - 90 DURO NITRILE



SEAL INFORMATION	
MATERIAL	90A DURO NITRILE
TEMPERATURE RANGE	-40° TO +220° F
SPEED	3 FT/SEC

PART NUMBERS



Part Number	A Nom. ID	B Nom. OD	Package Quantity	List Price
1.5mm C/S				
MOR-5X1.5-90D	5	8	50	\$0.22
MOR-13X1.5-90D	13	16	50	0.23
MOR-16X1.5-90D	16	19	50	0.26
1.6mm C/S				
MOR-2.2X1.6-90D	2.2	5.4	25	\$0.40
MOR-3.1X1.6-90D	3.1	6.3	25	0.40
MOR-4.1X1.6-90D	4.1	7.3	25	0.43
MOR-7.1X1.6-90D	7.1	10.3	20	0.46
MOR-9.1X1.6-90D	9.1	12.3	20	0.48
MOR-10.1X1.6-90D	10.1	13.3	20	0.48
MOR-13.1X1.6-90D	13.1	16.3	20	0.55
MOR-22.1X1.6-90D	22.1	25.3	20	0.76
1.8mm C/S				
MOR-13.3X1.8-90D	13.3	16.9	2	\$3.51
1.9mm C/S				
MOR-2.8X1.9-90D	2.8	6.6	100	\$0.08
MOR-3.8X1.9-90D	3.8	7.6	100	0.08
MOR-4.8X1.9-90D	4.8	8.6	100	0.11
MOR-5.8X1.9-90D	5.8	9.6	100	0.11
MOR-6.8X1.9-90D	6.8	10.6	50	0.23
MOR-7.8X1.9-90D	7.8	11.6	50	0.25
MOR-8.8X1.9-90D	8.8	12.6	50	0.25
MOR-9.8X1.9-90D	9.8	13.6	50	0.26
2mm C/S				
MOR-4X2-90D	4	8	100	\$0.12
MOR-6X2-90D	6	10	50	0.19
MOR-8X2-90D	8	12	50	0.19
MOR-9X2-90D	9	13	50	0.19
MOR-10X2-90D	10	14	50	0.22
MOR-11X2-90D	11	15	50	0.52
MOR-12X2-90D	12	16	50	0.22
MOR-14X2-90D	14	18	50	0.22
MOR-16X2-90D	16	20	50	0.23
MOR-17.5X2-90D	17.5	21.5	2	2.85

O-RINGS - 90 DURO NITRILE

Part Number	A Nom. ID	B Nom. OD	Package Quantity	List Price
MOR-19X2-90D	19	23	50	0.28
MOR-20X2-90D	20	24	25	0.33
MOR-28X2-90D	28	32	20	0.57
2.4mm C/S				
MOR-4.3X2.4-90D	4.3	9.1	50	\$0.30
MOR-5.3X2.4-90D	5.3	10.1	50	0.30
MOR-5.6X2.4-90D	5.6	10.4	50	0.30
MOR-7.3X2.4-90D	7.3	12.1	25	0.33
MOR-7.6X2.4-90D	7.6	12.4	25	0.34
MOR-8.3X2.4-90D	8.3	13.1	20	0.43
MOR-8.6X2.4-90D	8.6	13.4	20	0.46
MOR-9.8X2.4-90D	9.8	14.6	25	0.40
MOR-10.8X2.4-90D	10.8	15.6	25	0.41
MOR-11X2.4-90D	11	15.8	25	0.41
MOR-11.8X2.4-90D	11.8	16.6	25	0.41
MOR-12.3X2.4-90D	12.3	17.1	20	0.55
MOR-12.8X2.4-90D	12.8	17.6	25	0.41
MOR-13.8X2.4-90D	13.8	18.6	20	0.57
MOR-14.3X2.4-90D	14.3	19.1	20	0.55
MOR-14.8X2.4-90D	14.8	19.6	20	0.56
MOR-15.8X2.4-90D	15.8	20.6	20	0.56
MOR-16.3X2.4-90D	16.3	21.1	20	0.63
MOR-16.8X2.4-90D	16.8	21.6	20	0.57
MOR-17.8X2.4-90D	17.8	22.6	20	0.57
MOR-18.8X2.4-90D	18.8	23.6	20	0.57
MOR-19.8X2.4-90D	19.8	24.6	20	0.75
MOR-20.8X2.4-90D	20.8	25.6	20	0.75
MOR-21.8X2.4-90D	21.8	26.6	20	0.77
2.5mm C/S				
MOR-10X2.5-90D	10	15	50	\$0.22
MOR-13X2.5-90D	13	18	50	0.25
MOR-14X2.5-90D	14	19	50	0.25
MOR-15X2.5-90D	15	20	25	0.34
MOR-17X2.5-90D	17	22	25	0.40
MOR-18X2.5-90D	18	23	25	0.41
MOR-19X2.5-90D	19	24	25	0.43
MOR-24X2.5-90D	24	29	20	0.99
2.6mm C/S				
MOR-14.1X2.6-90D	14.1	19.3	5	\$4.10
2.65mm C/S				
MOR-14.8X2.65-90D	14.8	20.1	5	\$4.10
3mm C/S				
MOR-9X3-90D	9	15	50	\$0.23
MOR-10X3-90D	10	16	50	0.23
MOR-11X3-90D	11	17	50	0.23
MOR-17X3-90D	17	23	20	0.79
MOR-18X3-90D	18	24	10	0.85
MOR-19.2X3-90D	19.2	25.2	10	1.11
MOR-20X3-90D	20	26	10	6.45

O-RINGS - 90 DURO NITRILE

Part Number	A Nom. ID	B Nom. OD	Package Quantity	List Price
MOR-22.2X3-90D	22.2	28.2	10	1.20
MOR-23X3-90D	23	29	10	1.24
MOR-26.2X3-90D	26.2	32.2	10	1.42
MOR-27X3-90D	27	33	10	1.50
MOR-34X3-90D	34	40	10	1.60
MOR-42.2X3-90D	42.2	48.2	5	1.99
MOR-44.2X3-90D	44.2	50.2	5	2.03
MOR-45X3-90D	45	51	5	2.03
MOR-50X3-90D	50	56	5	2.26
MOR-56X3-90D	56	62	5	2.40
MOR-57X3-90D	57	63	5	2.48
MOR-60X3-90D	60	66	5	2.53
MOR-62X3-90D	62	68	5	4.00
MOR-64.5X3-90D	64.5	70.5	5	2.59
MOR-70X3-90D	70	76	5	1.11
MOR-84X3-90D	84	90	1	8.40
MOR-94X3-90D	94	100	5	9.26
MOR-94.3X3-90D	94.3	100.3	5	2.66
MOR-105X3-90D	105	111	1	3.38
MOR-119.5X3-90D	119.5	125.5	1	2.68
MOR-135X3-90D	135	141	1	3.03
MOR-144.5X3-90D	144.5	150.5	1	4.98
3.1mm C/S				
MOR-24.4X3.1-90D	24.4	30.6	25	\$0.40
MOR-29.4X3.1-90D	29.4	35.6	20	0.54
MOR-34.4X3.1-90D	34.4	40.6	20	0.66
MOR-39.4X3.1-90D	39.4	45.6	20	0.72
MOR-44.4X3.1-90D	44.4	50.6	10	1.45
MOR-49.4X3.1-90D	49.4	55.6	10	1.53
MOR-54.4X3.1-90D	54.4	60.6	10	1.59
MOR-59.4X3.1-90D	59.4	65.6	5	1.83
MOR-62.4X3.1-90D	62.4	68.6	10	5.50
MOR-64.4X3.1-90D	64.4	70.6	5	1.82
MOR-69.4X3.1-90D	69.4	75.6	5	1.84
MOR-74.4X3.1-90D	74.4	80.6	5	7.09
MOR-79.4X3.1-90D	79.4	85.6	5	2.23
MOR-84.4X3.1-90D	84.4	90.6	5	2.30
MOR-89.4X3.1-90D	89.4	95.6	5	2.32
MOR-94.4X3.1-90D	94.4	100.6	5	2.38
MOR-99.4X3.1-90D	99.4	105.6	5	2.59
MOR-104.4X3.1-90D	104.4	110.6	5	2.65
MOR-109.4X3.1-90D	109.4	115.6	5	2.69
MOR-114.4X3.1-90D	114.4	120.6	5	2.73
MOR-119.4X3.1-90D	119.4	125.6	5	2.96
MOR-124.4X3.1-90D	124.4	130.6	5	3.01
MOR-129.4X3.1-90D	129.4	135.6	5	3.03
MOR-134.4X3.1-90D	134.4	140.6	2	3.55
MOR-139.4X3.1-90D	139.4	145.6	2	6.34
MOR-144.4X3.1-90D	144.4	150.6	2	3.64
3.5mm C/S				

O-RINGS - 90 DURO NITRILE



Part Number	A Nom. ID	B Nom. OD	Package Quantity	List Price
MOR-21.7X3.5-90D	21.7	28.7	20	\$0.46
MOR-22.1X3.5-90D	22.1	29.1	20	0.56
MOR-23.7X3.5-90D	23.7	30.7	20	0.72
MOR-24.7X3.5-90D	24.7	31.7	20	0.72
MOR-25.2X3.5-90D	25.2	32.2	20	0.56
MOR-25.7X3.5-90D	25.7	32.7	10	0.94
MOR-27.7X3.5-90D	27.7	34.7	10	1.00
MOR-28.7X3.5-90D	28.7	35.7	10	1.19
MOR-29X3.5-90D	29	36	1	2.86
MOR-29.2X3.5-90D	29.2	36.2	20	0.61
MOR-29.7X3.5-90D	29.7	36.7	10	1.20
MOR-30.7X3.5-90D	30.7	37.7	10	1.24
MOR-31.2X3.5-90D	31.2	38.2	20	0.63
MOR-31.7X3.5-90D	31.7	38.7	10	1.26
MOR-33.7X3.5-90D	33.7	40.7	10	1.32
MOR-34.7X3.5-90D	34.7	41.7	10	1.32
MOR-35.2X3.5-90D	35.2	42.2	20	0.79
MOR-35.7X3.5-90D	35.7	42.7	10	1.34
MOR-37.7X3.5-90D	37.7	44.7	10	1.41
MOR-38.7X3.5-90D	38.7	45.7	10	1.42
MOR-39.7X3.5-90D	39.7	46.7	10	1.43
MOR-40.7X3.5-90D	40.7	47.7	10	1.45
MOR-41.7X3.5-90D	41.7	48.7	10	1.50
MOR-43X3.5-90D	43	50	5	2.56
MOR-43.7X3.5-90D	43.7	50.7	5	1.62
MOR-44.7X3.5-90D	44.7	51.7	5	1.62
MOR-45.7X3.5-90D	45.7	52.7	5	1.65
MOR-47.7X3.5-90D	47.7	54.7	5	2.10
MOR-48.7X3.5-90D	48.7	55.7	5	2.16
MOR-49X3.5-90D	49	56	10	4.38
MOR-49.7X3.5-90D	49.7	56.7	5	2.17
MOR-59X3.5-90D	59	66	5	2.18
MOR-73X3.5-90D	73	80	5	4.08
3.53mm C/S				
MOR-65.09X3.53-90D	65.09	72.15	1	\$3.94
4mm C/S				
MOR-56X4-90D	56	64	1	\$2.89
MOR-62X4-90D	62	70	5	1.65
MOR-115X4-90D	115	123	1	6.13
4.5mm C/S				
MOR-80X4.5-90D	80	89	1	\$5.14
5mm C/S				
MOR-75X5-90D	75	85	2	\$4.96
MOR-110X5-90D	110	120	2	7.32
MOR-120X5-90D	120	130	1	7.01
MOR-130X5-90D	130	140	2	8.11
MOR-150X5-90D	150	160	1	11.29
MOR-152X5-90D	152	162	1	5.40
MOR-170X5-90D	170	180	1	11.06

O-RINGS - 90 DURO NITRILE

Part Number	A Nom. ID	B Nom. OD	Package Quantity	List Price
MOR-190X5-90D	190	200	1	10.62
5.7mm C/S				
MOR-47.6X5.7-90D	47.6	59	5	\$2.31
MOR-49.6X5.7-90D	49.6	61	5	2.38
MOR-52.6X5.7-90D	52.6	64	5	2.48
MOR-54.6X5.7-90D	54.6	66	5	2.54
MOR-55.6X5.7-90D	55.6	67	5	2.55
MOR-57.6X5.7-90D	57.6	69	2	3.37
MOR-59.6X5.7-90D	59.6	71	2	3.39
MOR-62.6X5.7-90D	62.6	74	2	4.74
MOR-64.6X5.7-90D	64.6	76	2	4.28
MOR-66.6X5.7-90D	66.6	78	2	4.34
MOR-69.6X5.7-90D	69.6	81	2	4.46
MOR-70.6X5.7-90D	70.6	82	2	4.49
MOR-74.6X5.7-90D	74.6	86	2	4.61
MOR-79.6X5.7-90D	79.6	91	2	4.78
MOR-84.6X5.7-90D	84.6	96	2	4.89
MOR-89.6X5.7-90D	89.6	101	2	5.55
MOR-92.2X5.7-90D	92.2	103.6	2	7.19
MOR-94.6X5.7-90D	94.6	106	2	6.48
MOR-99.6X5.7-90D	99.6	111	2	6.62
MOR-101.6X5.7-90D	101.6	113	2	6.69
MOR-104.6X5.7-90D	104.6	116	2	6.75
MOR-109.6X5.7-90D	109.6	121	2	6.88
MOR-111.6X5.7-90D	111.6	123	2	6.94
MOR-114.6X5.7-90D	114.6	126	2	7.03
MOR-119.6X5.7-90D	119.6	131	2	7.16
MOR-124.6X5.7-90D	124.6	136	2	7.16
MOR-129.6X5.7-90D	129.6	141	2	7.16
MOR-131.6X5.7-90D	131.6	143	2	7.19
MOR-134.6X5.7-90D	134.6	146	2	7.26
MOR-139.6X5.7-90D	139.6	151	2	7.32
MOR-144.6X5.7-90D	144.6	156	2	7.46
MOR-149.3X5.7-90D	149.3	160.7	2	7.77
MOR-149.6X5.7-90D	149.6	161	2	9.13
MOR-154.3X5.7-90D	154.3	165.7	2	9.25
MOR-159.3X5.7-90D	159.3	170.7	2	9.65
MOR-164.3X5.7-90D	164.3	175.7	1	11.69
MOR-169.3X5.7-90D	169.3	180.7	1	11.79
MOR-174.3X5.7-90D	174.3	185.7	1	12.00
MOR-179.3X5.7-90D	179.3	190.7	1	13.39
MOR-184.3X5.7-90D	184.3	195.7	1	13.55
MOR-189.3X5.7-90D	189.3	200.7	1	13.69
MOR-194.3X5.7-90D	194.3	205.7	1	13.86
MOR-199.3X5.7-90D	199.3	210.7	1	17.83
MOR-204.3X5.7-90D	204.3	215.7	1	18.83
MOR-209.3X5.7-90D	209.3	220.7	1	21.15
MOR-214.3X5.7-90D	214.3	225.7	1	22.07
MOR-219.3X5.7-90D	219.3	230.7	1	25.13
MOR-229.3X5.7-90D	229.3	240.7	1	26.04

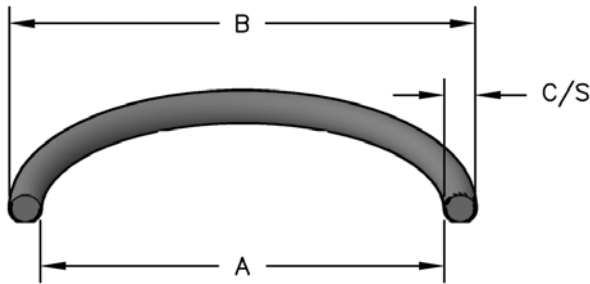
O-RINGS - 90 DURO NITRILE

Part Number	A Nom. ID	B Nom. OD	Package Quantity	List Price
MOR-239.3X5.7-90D	239.3	250.7	1	27.66
MOR-259.3X5.7-90D	259.3	270.7	1	32.27
MOR-269.3X5.7-90D	269.3	280.7	1	32.51
MOR-274.3X5.7-90D	274.3	285.7	1	32.54
MOR-279.3X5.7-90D	279.3	290.7	1	34.18
MOR-289.3X5.7-90D	289.3	300.7	1	40.33
6mm C/S				
MOR-155X6-90D	155	167	1	\$14.17
MOR-175X6-90D	175	187	1	16.53
6.5mm C/S				
MOR-257.5X6.5-90D	257.5	270.5	1	\$76.41
6.99mm C/S				
MOR-221.66X6.99-90D	221.66	235.64	1	\$10.66
8.1mm C/S				
MOR-112.7X8.1-80D	112.7	128.9		\$29.78
8.4mm C/S				
MOR-149.5X8.4-90D	149.5	166.3	1	\$25.62
MOR-154.5X8.4-90D	154.5	171.3	1	16.47
MOR-159.5X8.4-90D	159.5	176.3	1	18.20
MOR-164.5X8.4-90D	164.5	181.3	1	18.45
MOR-169.5X8.4-90D	169.5	186.3	1	18.69
MOR-174.5X8.4-90D	174.5	191.3	1	18.95
MOR-179.5X8.4-90D	179.5	196.3	1	20.54
MOR-184.5X8.4-90D	184.5	201.3	1	21.40
MOR-189.5X8.4-90D	189.5	206.3	1	21.69
MOR-194.5X8.4-90D	194.5	211.3	1	21.95
MOR-199.5X8.4-90D	199.5	216.3	1	22.25
MOR-208.5X8.4-90D	208.5	225.3	1	27.07
MOR-209.5X8.4-90D	209.5	226.3	1	27.17
MOR-214.5X8.4-90D	214.5	231.3	1	28.18
MOR-219.5X8.4-90D	219.5	236.3	1	32.17
MOR-234.5X8.4-90D	234.5	251.3	1	41.92
MOR-264.5X8.4-90D	264.5	281.3	1	64.67
MOR-299.5X8.4-90D	299.5	316.3	1	85.49
MOR-374.5X8.4-90D	374.5	391.3	1	120.45

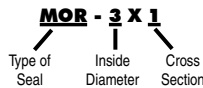
Seal color may vary. Special order sizes are available.

O-RINGS - 75 DURO FLUOROCARBON

Please specify 75 or 90 Durometer when ordering. Metric o-rings are offered in minimum package quantities (MP in chart).



PART NUMBERS



SEAL INFORMATION	
MATERIAL	75A DURO FLUOROCARBON
TEMPERATURE RANGE	-20° TO +400° F
SPEED	3 FT/SEC

Part Number	A Nom. ID	B Nom. OD	Package Quantity	List Price
1mm C/S				
MOR-3X1V	3	5	20	\$0.39
MOR-4X1V	4	6	10	1.29
MOR-6X1V	6	8	20	0.54
1.5mm C/S				
MOR-2X1.5V	2	5	15	\$0.61
MOR-5X1.5V	5	8	20	0.54
MOR-7X1.5V	7	10	15	0.70
MOR-11X1.5V	11	14	10	0.90
MOR-12X1.5V	12	15	10	0.95
MOR-13X1.5V	13	16	10	1.07
MOR-17X1.5V	17	20	1	1.96
MOR-37X1.5V-BLACK	37	40	1	1.87
1.6mm C/S				
MOR-3.1X1.6V	3.1	6.3	20	\$0.51
MOR-4.1X1.6V	4.1	7.3	20	0.52
MOR-7.1X1.6V	7.1	10.3	10	0.71
MOR-9.1X1.6V	9.1	12.3	10	0.77
MOR-13.1X1.6V	13.1	16.3	10	1.08
1.9mm C/S				
MOR-4.8X1.9V	4.8	8.6	15	\$0.59
MOR-5.8X1.9V	5.8	9.6	15	0.68
MOR-6.8X1.9V	6.8	10.6	10	0.82
MOR-7.8X1.9V	7.8	11.6	10	0.87
MOR-8.8X1.9V	8.8	12.6	10	0.88
MOR-9.8X1.9V	9.8	13.6	10	1.19
2mm C/S				
MOR-3X2V	3	7	10	\$0.77
MOR-4X2V	4	8	10	0.78
MOR-5X2V	5	9	10	0.82
MOR-6X2V	6	10	10	0.87
MOR-7X2V	7	11	10	0.95
MOR-8X2V	8	12	10	0.99
MOR-9X2V	9	13	10	1.07
MOR-10X2V	10	14	10	1.12

O-RINGS - 75 DURO FLUOROCARBON

Part Number	A Nom. ID	B Nom. OD	Package Quantity	List Price
MOR-11X2V	11	15	10	1.15
MOR-12X2V	12	16	10	1.25
MOR-13X2V	13	17	10	1.35
MOR-14X2V	14	18	5	1.39
MOR-15X2V	15	19	5	1.47
MOR-16X2V	16	20	5	1.50
MOR-17X2V	17	21	5	1.56
MOR-18X2V	18	22	5	1.65
MOR-19X2V	19	23	5	1.68
MOR-20X2V	20	24	5	1.74
MOR-22X2V	22	26	5	1.87
MOR-23.5X2V	23.5	27.5	5	1.93
MOR-25X2V	25	29	5	1.97
MOR-26X2V	26	30	5	2.07
MOR-27X2V	27	31	5	2.15
MOR-30X2V	30	34	5	2.86
MOR-32X2V	32	36	5	2.56
MOR-35X2V	35	39	5	2.91
MOR-37.5X2V	37.5	41.5	5	3.00
MOR-39.5X2V	39.5	43.5	2	3.25
MOR-44X2V	44	48	2	3.44
MOR-50X2V	50	54	2	4.02
MOR-55X2V	55	59	2	4.26
2.4mm C/S				
MOR-7.6X2.4V	7.6	12.4	10	\$1.15
MOR-8.3X2.4V	8.3	13.1	10	1.18
MOR-8.6X2.4V	8.6	13.4	10	1.22
MOR-9.8X2.4V	9.8	14.6	5	1.42
MOR-10.8X2.4V	10.8	15.6	5	1.49
MOR-11.3X2.4V	11.3	16.1	5	1.42
MOR-11.8X2.4V	11.8	16.6	5	1.62
MOR-12.3X2.4V	12.3	17.1	5	1.52
MOR-13.3X2.4V	13.3	18.1	5	1.57
MOR-13.8X2.4V	13.8	18.6	5	1.74
MOR-14.8X2.4V	14.8	19.6	5	1.84
MOR-15.8X2.4V	15.8	20.6	5	1.89
MOR-17.3X2.4V	17.3	22.1	5	1.85
MOR-17.8X2.4V	17.8	22.6	5	2.06
MOR-19.8X2.4V	19.8	24.6	5	2.20
MOR-20.8X2.4V	20.8	25.6	5	2.28
MOR-21.8X2.4V	21.8	26.6	5	2.41
MOR-39.6X2.4V	39.6	44.4	2	3.83
2.5mm C/S				
MOR-7X2.5V	7	12	10	\$1.15
MOR-10X2.5V	10	15	5	1.39
MOR-11X2.5V	11	16	5	1.48
MOR-12X2.5V	12	17	5	1.57
MOR-13X2.5V	13	18	5	1.59
MOR-14X2.5V	14	19	5	1.68
MOR-15X2.5V	15	20	5	1.74

O-RINGS - 75 DURO FLUOROCARBON

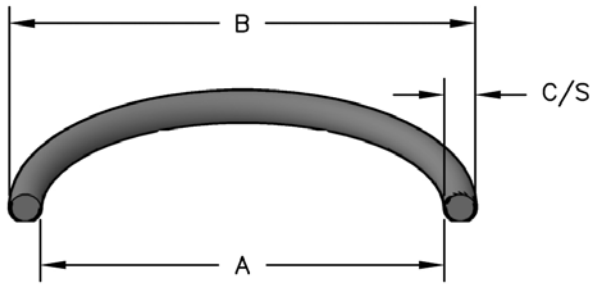
Part Number	A Nom. ID	B Nom. OD	Package Quantity	List Price
MOR-16X2.5V	16	21	5	1.84
MOR-17X2.5V	17	22	4	1.87
MOR-18X2.5V	18	23	5	1.95
MOR-19X2.5V	19	24	5	1.98
MOR-20X2.5V	20	25	5	2.03
MOR-22X2.5V	22	27	5	2.30
MOR-23X2.5V	23	28	5	2.32
MOR-28X2.5V	28	33	5	2.67
MOR-35X2.5V	35	40	2	3.56
MOR-59X2.5V	59	64	1	5.29
3mm C/S				
MOR-9X3V	9	15	5	\$1.68
MOR-10X3V	10	16	5	1.77
MOR-11X3V	11	17	5	1.88
MOR-13X3V	13	19	5	1.98
MOR-15X3V	15	21	5	2.06
MOR-16X3V	16	22	5	2.06
MOR-17X3V	17	23	5	2.12
MOR-19X3V	19	25	5	2.30
MOR-20X3V	20	26	5	2.36
MOR-22X3V	22	28	5	2.57
MOR-25X3V	25	31	5	2.84
MOR-26X3V	26	32	5	2.91
MOR-27X3V	27	33	5	3.03
MOR-28X3V	28	34	2	3.19
MOR-29X3V	29	35	2	3.26
MOR-30X3V	30	36	2	3.27
MOR-32X3V	32	38	2	3.56
MOR-33X3V	33	39	2	3.66
MOR-34X3V	34	40	2	3.82
MOR-35X3V	35	41	2	4.03
MOR-36X3V	36	42	2	4.11
MOR-38X3V	38	44	2	4.34
MOR-39X3V	39	45	2	4.40
MOR-42.2X3V	42.2	48.2	2	4.77
MOR-46X3V	46	52	1	5.13
MOR-48X3V	48	54	2	5.13
MOR-49.5X3V	49.5	55.5	2	5.29
MOR-52X3V	52	58	2	5.50
MOR-57X3V	57	63	1	5.75
MOR-60X3V	60	66	1	6.09
MOR-62X3V	62	68	1	6.27
MOR-64X3V	64	70	1	6.41
MOR-65X3V	65	71	1	6.50
MOR-68X3V	68	74	1	6.80
MOR-72X3V	72	78	1	7.50
MOR-74X3V	74	80	1	7.66
MOR-78X3V	78	84	1	8.23
MOR-95X3V	95	101	1	10.84
3.1mm C/S				

O-RINGS - 75 DURO FLUOROCARBON

Part Number	A Nom. ID	B Nom. OD	Package Quantity	List Price
MOR-24.4X3.1V	24.4	30.6	2	\$3.74
MOR-29.4X3.1V	29.4	35.6	2	4.41
MOR-39.4X3.1V	39.4	45.6	2	5.67
MOR-44.4X3.1V	44.4	50.6	1	6.64
MOR-49.4X3.1V	49.4	55.6	1	6.99
MOR-54.4X3.1V	54.4	60.6	1	8.01
MOR-59.4X3.1V	59.4	65.6	1	8.20
MOR-64.4X3.1V	64.4	70.6	1	9.54
MOR-69.4X3.1V	69.4	75.6	1	9.54
MOR-74.4X3.1V	74.4	80.6	1	10.17
MOR-79.4X3.1V	79.4	85.6	1	10.83
MOR-84.4X3.1V	84.4	90.6	1	11.54
MOR-89.4X3.1V	89.4	95.6	1	12.12
MOR-94.4X3.1V	94.4	100.6	1	12.77
MOR-99.4X3.1V	99.4	105.6	1	13.42
MOR-104.4X3.1V	104.4	110.6	1	14.09
MOR-109.4X3.1V	109.4	115.6	1	32.72
MOR-114.4X3.1V	114.4	120.6	1	15.39
MOR-119.4X3.1V	119.4	125.6	1	16.03
MOR-124.4X3.1V	124.4	130.6	1	16.65
3.5mm C/S				
MOR-22X3.5V	22	29	1	\$6.53
4mm C/S				
MOR-38X4V	38	46	1	\$6.16
MOR-41X4V	41	49	2	6.59
MOR-44X4V	44	52	1	7.03
MOR-48X4V	48	56	1	7.64
MOR-72X4V	72	80	1	11.54
MOR-124X4V	124	132	1	23.45
5.7mm C/S				
MOR-52.6X5.7V	52.6	64	1	\$14.13
MOR-59.6X5.7V	59.6	71	1	18.18
MOR-69.6X5.7V	69.6	81	1	18.68
MOR-79.6X5.7V	79.6	91	1	20.91
MOR-84.6X5.7V	84.6	96	1	22.08
MOR-99.6X5.7V	99.6	111	1	24.92
MOR-114.6X5.7V	114.6	126	1	30.04
MOR-119.6X5.7V	119.6	131	1	29.50
MOR-129.6X5.7V	129.6	141	1	33.43
MOR-139.6X5.7V	139.6	151	1	35.84
MOR-189.3X5.7V	189.3	200.7	1	55.40

Seal color may vary. Special order sizes are available.

O-RINGS - 70 DUROMETER MOR-JIS STYLE



PART NUMBERS

MOR-JIS - G025
 Type of Seal JIS Standard Number

SEAL INFORMATION	
MATERIAL	70A DURO NITRILE
TEMPERATURE RANGE	-40° TO +220° F
SPEED	3 FT/SEC

Part Number	A Nom. ID	B Nom. OD	Package Quantity	List Price
1.9mm C/S				
MOR-JIS-P003	2.8	6.6	100	\$0.09
MOR-JIS-P004	3.8	7.6	100	0.09
MOR-JIS-P005	4.8	8.6	100	0.09
MOR-JIS-P006	5.8	9.6	100	0.09
MOR-JIS-P007	6.8	10.6	100	0.11
MOR-JIS-P008	7.8	11.6	100	0.11
MOR-JIS-P009	8.8	12.6	100	0.11
MOR-JIS-P010	9.8	13.6	100	0.11
2.4mm C/S				
MOR-JIS-P010A	9.8	14.6	100	\$0.06
MOR-JIS-P011	10.8	15.6	100	0.09
MOR-JIS-P011.2	11	15.8	100	0.09
MOR-JIS-P012	11.8	16.6	100	0.55
MOR-JIS-P012.5	12.3	17.1	20	0.57
MOR-JIS-P014	13.8	18.6	100	0.11
MOR-JIS-P015	14.8	19.6	100	0.77
MOR-JIS-P016	15.8	20.6	100	0.11
MOR-JIS-P018	17.8	22.6	100	0.11
MOR-JIS-P020	19.8	24.6	100	0.96
MOR-JIS-P021	20.8	25.6	100	0.12
MOR-JIS-P022	21.8	26.6	100	0.13
3.1mm C/S				
MOR-JIS-G025	24.4	30.6	25	\$0.36
MOR-JIS-G030	29.4	35.6	20	0.48
MOR-JIS-G035	34.4	40.6	20	0.63
MOR-JIS-G040	39.4	45.6	20	0.67
MOR-JIS-G045	44.4	50.6	10	2.38
MOR-JIS-G050	49.4	55.6	10	3.20
MOR-JIS-G055	54.4	60.6	10	1.01
MOR-JIS-G060	59.4	65.6	10	1.15
MOR-JIS-G065	64.4	70.6	10	1.22
MOR-JIS-G070	69.4	75.6	10	1.47
MOR-JIS-G075	74.4	80.6	5	1.76
MOR-JIS-G080	79.4	85.6	5	1.78
MOR-JIS-G085	84.4	90.6	5	6.32

O-RINGS - 70 DUROMETER MOR-JIS STYLE



Part Number	A Nom. ID	B Nom. OD	Package Quantity	List Price
MOR-JIS-G090	89.4	95.6	5	1.83
MOR-JIS-G095	94.4	100.6	5	7.43
MOR-JIS-G100	99.4	105.6	5	2.06
MOR-JIS-G105	104.4	110.6	5	2.09
MOR-JIS-G110	109.4	115.6	5	8.93
MOR-JIS-G115	114.4	120.6	5	2.71
MOR-JIS-G120	119.4	125.6	5	2.83
MOR-JIS-G125	124.4	130.6	5	9.68
MOR-JIS-G130	129.4	135.6	5	2.90
MOR-JIS-G135	134.4	140.6	2	10.74
MOR-JIS-G140	139.4	145.6	2	11.10
MOR-JIS-G145	144.4	150.6	2	3.49
3.5mm C/S				
MOR-JIS-P022A	21.7	28.7	25	\$0.34
MOR-JIS-P022.4	22.1	29.1	25	1.17
MOR-JIS-P024	23.7	30.7	25	1.24
MOR-JIS-P025	24.7	31.7	25	0.36
MOR-JIS-P025.5	25.2	32.2	25	1.36
MOR-JIS-P026	25.7	32.7	25	0.46
MOR-JIS-P028	27.7	34.7	20	0.48
MOR-JIS-P029	28.7	35.7	20	0.48
MOR-JIS-P029.5	29.2	36.2	20	1.55
MOR-JIS-P030	29.7	36.7	20	0.48
MOR-JIS-P031	30.7	37.7	20	0.49
MOR-JIS-P031.5	31.2	38.2	20	0.49
MOR-JIS-P032	31.7	38.7	20	0.49
MOR-JIS-P034	33.7	40.7	20	0.60
MOR-JIS-P035	34.7	41.7	20	2.09
MOR-JIS-P035.5	35.2	42.2	20	2.19
MOR-JIS-P036	35.7	42.7	20	2.38
MOR-JIS-P038	37.7	44.7	20	0.64
MOR-JIS-P039	38.7	45.7	20	0.64
MOR-JIS-P040	39.7	46.7	20	2.79
MOR-JIS-P041	40.7	47.7	20	2.79
MOR-JIS-P042	41.7	48.7	20	0.67
MOR-JIS-P044	43.7	50.7	10	0.87
MOR-JIS-P045	44.7	51.7	10	0.88
MOR-JIS-P046	45.7	52.7	10	0.88
MOR-JIS-P048	47.7	54.7	10	0.90
MOR-JIS-P049	48.7	55.7	10	0.90
MOR-JIS-P050	49.7	56.7	10	0.93
4mm C/S				
MOR-JIS-V015	14.5	22.5	6	\$1.77
MOR-JIS-V024	23.5	31.5	25	0.34
MOR-JIS-V085	84	92	5	1.79
MOR-JIS-V120	119	127	5	2.40
5.7mm C/S				
MOR-JIS-P048A	47.6	59	5	\$2.30
MOR-JIS-P050A	49.6	61	5	2.36
MOR-JIS-P052	51.6	63	5	2.40

O-RINGS - 70 DUROMETER MOR-JIS STYLE

Part Number	A Nom. ID	B Nom. OD	Package Quantity	List Price
MOR-JIS-P053	52.6	64	5	2.43
MOR-JIS-P055	54.6	66	5	2.49
MOR-JIS-P056	55.6	67	5	2.57
MOR-JIS-P058	57.6	69	5	3.35
MOR-JIS-P060	59.6	71	2	3.38
MOR-JIS-P062	61.6	73	2	4.16
MOR-JIS-P063	62.6	74	2	4.20
MOR-JIS-P065	64.6	76	2	4.31
MOR-JIS-P067	66.6	78	2	4.37
MOR-JIS-P070	69.6	81	2	4.32
MOR-JIS-P071	70.6	82	2	4.43
MOR-JIS-P075	74.6	86	2	4.62
MOR-JIS-P080	79.6	91	2	4.72
MOR-JIS-P085	84.6	96	2	4.90
MOR-JIS-P090	89.6	101	2	5.00
MOR-JIS-P095	94.6	106	2	5.18
MOR-JIS-P100	99.6	111	2	5.28
MOR-JIS-P102	101.6	113	2	6.62
MOR-JIS-P105	104.6	116	2	6.74
MOR-JIS-P110	109.6	121	2	6.86
MOR-JIS-P112	111.6	123	2	6.91
MOR-JIS-P115	114.6	126	2	6.98
MOR-JIS-P120	119.6	131	2	7.11
MOR-JIS-P125	124.6	136	2	7.22
MOR-JIS-P130	129.6	141	2	7.27
MOR-JIS-P132	131.6	143	2	7.32
MOR-JIS-P135	134.6	146	2	7.39
MOR-JIS-P140	139.6	151	2	7.49
MOR-JIS-P145	144.6	156	2	7.62
MOR-JIS-G150	149.3	160.7	2	5.68
MOR-JIS-P150	149.6	161	2	9.07
MOR-JIS-G155	154.3	165.7	2	5.75
MOR-JIS-G160	159.3	170.7	2	5.72
MOR-JIS-G165	164.3	175.7	2	5.78
MOR-JIS-G170	169.3	180.7	2	5.89
MOR-JIS-G175	174.3	185.7	2	7.93
MOR-JIS-G180	179.3	190.7	2	14.89
MOR-JIS-G185	184.3	195.7	2	8.10
MOR-JIS-G190	189.3	200.7	2	8.17
MOR-JIS-G195	194.3	205.7	2	8.26
MOR-JIS-G200	199.3	210.7	2	9.64
MOR-JIS-G210	209.3	220.7	2	9.81
MOR-JIS-G215	214.3	225.7	2	9.83
MOR-JIS-G220	219.3	230.7	2	10.01
MOR-JIS-G225	224.3	235.7	1	10.16
MOR-JIS-G230	229.3	240.7	1	10.16
MOR-JIS-G235	234.3	245.7	1	10.90
MOR-JIS-G240	239.3	250.7	1	11.10
MOR-JIS-G250	249.3	260.7	1	11.70
MOR-JIS-G255	254.3	265.7	1	12.78

O-RINGS - 70 DUROMETER MOR-JIS STYLE

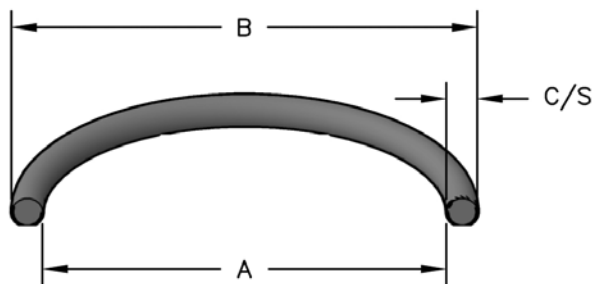
Part Number	A Nom. ID	B Nom. OD	Package Quantity	List Price
MOR-JIS-G260	259.3	270.7	1	12.83
MOR-JIS-G270	269.3	280.7	1	12.94
MOR-JIS-G275	274.3	285.7	1	39.37
MOR-JIS-G280	279.3	290.7	1	13.67
MOR-JIS-G290	289.3	300.7	1	14.45
MOR-JIS-G300	299.3	310.7	1	14.54
MOR-JIS-G305	304.3	315.7	1	17.03
MOR-JIS-G310	309.3	320.7	1	17.03
MOR-JIS-G340	339.3	350.7	1	5.48
MOR-JIS-G345	344.3	355.7	1	18.64
MOR-JIS-G360	359.3	370.7	1	19.75
MOR-JIS-G400	399.3	410.7	1	26.04
8.4mm C/S				
MOR-JIS-P150A	149.5	166.3	1	\$23.30
MOR-JIS-P155	154.5	171.3	1	13.10
MOR-JIS-P160	159.5	176.3	1	24.77
MOR-JIS-P165	164.5	181.3	1	13.29
MOR-JIS-P170	169.5	186.3	1	13.29
MOR-JIS-P175	174.5	191.3	1	27.23
MOR-JIS-P180	179.5	196.3	1	14.01
MOR-JIS-P185	184.5	201.3	1	14.18
MOR-JIS-P190	189.5	206.3	1	14.39
MOR-JIS-P195	194.5	211.3	1	30.54
MOR-JIS-P200	199.5	216.3	1	14.76
MOR-JIS-P205	204.5	221.3	1	14.96
MOR-JIS-P209	208.5	225.3	1	16.18
MOR-JIS-P210	209.5	226.3	1	18.13
MOR-JIS-P215	214.5	231.3	1	16.56
MOR-JIS-P220	219.5	236.3	1	16.56
MOR-JIS-P225	224.5	241.3	1	16.75
MOR-JIS-P230	229.5	246.3	1	37.16
MOR-JIS-P235	234.5	251.3	1	27.84
MOR-JIS-P240	239.5	256.3	1	28.00
MOR-JIS-P245	244.5	261.3	1	28.14
MOR-JIS-P250	249.5	266.3	1	28.37
MOR-JIS-P260	259.5	276.3	1	28.76
MOR-JIS-P265	264.5	281.3	1	4.44
MOR-JIS-P270	269.5	286.3	1	29.03
MOR-JIS-P275	274.5	291.3	1	28.87
MOR-JIS-P280	279.5	296.3	1	29.48
MOR-JIS-P285	284.5	301.3	1	29.65
MOR-JIS-P290	289.5	306.3	1	29.85
MOR-JIS-P295	294.5	311.3	1	30.80
MOR-JIS-P300	299.5	316.3	1	57.78
MOR-JIS-P315	314.5	331.3	1	36.94
MOR-JIS-P320	319.5	336.3	1	66.12
MOR-JIS-P335	334.5	351.3	1	55.01
MOR-JIS-P355	354.5	371.3	1	52.93
MOR-JIS-P360	359.5	376.3	1	57.78
MOR-JIS-P375	374.5	391.3	1	58.96

O-RINGS - 70 DUROMETER MOR-JIS STYLE

Part Number	A Nom. ID	B Nom. OD	Package Quantity	List Price
MOR-JIS-P385	384.5	401.3	1	63.00
MOR-JIS-P400	399.5	416.3	1	67.83

Seal color may vary. Special order sizes are available.

O-RINGS - 75 DURO FLUOROCARBON MOR-JIS STYLE



SEAL INFORMATION	
MATERIAL	75A DURO FLUOROCARBON
TEMPERATURE RANGE	-20° TO +400° F
SPEED	3 FT/SEC

PART NUMBERS

MOR-JIS - G025V
 ↙ ↘
 Type of Seal JIS Standard Number

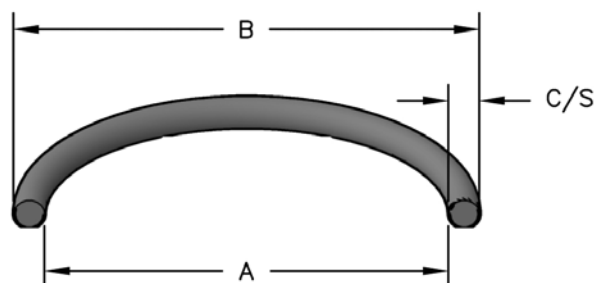
Part Number	A Nom. ID	B Nom. OD	Package Quantity	List Price
1.9mm C/S				
MOR-JIS-P005V	4.8	8.6	15	\$0.59
MOR-JIS-P006V	5.8	9.6	15	0.68
MOR-JIS-P007V	6.8	10.6	10	0.82
MOR-JIS-P008V	7.8	11.6	10	0.87
MOR-JIS-P009V	8.8	12.6	10	0.88
MOR-JIS-P010V	9.8	13.6	10	1.19
2.4mm C/S				
MOR-JIS-P010AV	9.8	14.6	5	\$1.42
MOR-JIS-P011V	10.8	15.6	5	1.49
MOR-JIS-P012V	11.8	16.6	5	1.62
MOR-JIS-P012.5V	12.3	17.1	5	1.52
MOR-JIS-P014V	13.8	18.6	5	1.74
MOR-JIS-P015V	14.8	19.6	5	1.84
MOR-JIS-P016V	15.8	20.6	5	1.89
MOR-JIS-P018V	17.8	22.6	5	2.06
MOR-JIS-P020V	19.8	24.6	5	2.20
MOR-JIS-P021V	20.8	25.6	5	2.28
MOR-JIS-P022V	21.8	26.6	5	2.41
3.1mm C/S				
MOR-JIS-G025V	24.4	30.6	2	\$3.74
MOR-JIS-G030V	29.4	35.6	2	4.41
MOR-JIS-G040V	39.4	45.6	2	5.67
MOR-JIS-G045V	44.4	50.6	1	6.64
MOR-JIS-G050V	49.4	55.6	1	6.99
MOR-JIS-G055V	54.4	60.6	1	8.01
MOR-JIS-G060V	59.4	65.6	1	8.20
MOR-JIS-G065V	64.4	70.6	1	9.54
MOR-JIS-G070V	69.4	75.6	1	9.54
MOR-JIS-G075V	74.4	80.6	1	10.17
MOR-JIS-G080V	79.4	85.6	1	10.83
MOR-JIS-G085V	84.4	90.6	1	11.54
MOR-JIS-G090V	89.4	95.6	1	12.12
MOR-JIS-G095V	94.4	100.6	1	12.77
MOR-JIS-G100V	99.4	105.6	1	13.42
MOR-JIS-G105V	104.4	110.6	1	14.09

O-RINGS - 75 DURO FLUOROCARBON MOR-JIS STYLE

Part Number	A Nom. ID	B Nom. OD	Package Quantity	List Price
MOR-JIS-G110V	109.4	115.6	1	32.72
MOR-JIS-G115V	114.4	120.6	1	15.39
MOR-JIS-G120V	119.4	125.6	1	16.03
MOR-JIS-G125V	124.4	130.6	1	16.65
MOR-JIS-G145V	144.4	150.6	1	18.88
3.5mm C/S				
MOR-JIS-P029V	28.7	35.7	1	\$9.34
5.7mm C/S				
MOR-JIS-P050AV	49.6	61	1	\$13.49
MOR-JIS-P053V	52.6	64	1	14.13
MOR-JIS-P055V	54.6	66	1	14.17
MOR-JIS-P060V	59.6	71	1	18.18
MOR-JIS-P065V	64.6	76	1	18.35
MOR-JIS-P070V	69.6	81	1	18.68
MOR-JIS-P080V	79.6	91	1	20.91
MOR-JIS-P085V	84.6	96	1	22.08
MOR-JIS-P090V	89.6	101	1	22.88
MOR-JIS-P095V	94.6	106	1	23.75
MOR-JIS-P100V	99.6	111	1	24.92
MOR-JIS-P110V	109.6	121	1	26.82
MOR-JIS-P115V	114.6	126	1	30.04
MOR-JIS-P120V	119.6	131	1	29.50
MOR-JIS-P130V	129.6	141	1	33.43
MOR-JIS-P135V	134.6	146	1	34.13
MOR-JIS-P140V	139.6	151	1	35.84
MOR-JIS-G155V	154.3	165.7	1	38.74
MOR-JIS-G190V	189.3	200.7	1	55.40
MOR-JIS-G195V	194.3	205.7	1	39.99

O-RINGS - 90 DURO NITRILE MOR-JIS STYLE

Please specify 70 or 90 Durometer when ordering. Metric o-rings are offered in minimum package quantities (MP in chart).



PART NUMBERS

MOR-JIS - G025 - 90D

Type of Seal: MOR
JIS Standard Number: JIS
Suffix: -90D

SEAL INFORMATION	
MATERIAL	90A DURO NITRILE
TEMPERATURE RANGE	-40° TO +220° F
SPEED	3 FT/SEC

Part Number	A Nom. ID	B Nom. OD	Package Quantity	List Price
1.9mm C/S				
MOR-JIS-P003-90D	2.8	6.6	100	\$0.08
MOR-JIS-P004-90D	3.8	7.6	100	0.08
MOR-JIS-P005-90D	4.8	8.6	100	0.11
MOR-JIS-P006-90D	5.8	9.6	100	0.11
MOR-JIS-P007-90D	6.8	10.6	50	0.23
MOR-JIS-P008-90D	7.8	11.6	50	0.25
MOR-JIS-P009-90D	8.8	12.6	50	0.25
MOR-JIS-P010-90D	9.8	13.6	50	0.26
2.4mm C/S				
MOR-JIS-P010A-90D	9.8	14.6	25	\$0.40
MOR-JIS-P011-90D	10.8	15.6	25	0.41
MOR-JIS-P011.2-90D	11	15.8	25	0.41
MOR-JIS-P012-90D	11.8	16.6	25	0.41
MOR-JIS-P012.5-90D	12.3	17.1	20	0.55
MOR-JIS-P014-90D	13.8	18.6	20	0.57
MOR-JIS-P015-90D	14.8	19.6	20	0.56
MOR-JIS-P016-90D	15.8	20.6	20	0.56
MOR-JIS-P018-90D	17.8	22.6	20	0.57
MOR-JIS-P020-90D	19.8	24.6	20	0.75
MOR-JIS-P021-90D	20.8	25.6	20	0.75
MOR-JIS-P022-90D	21.8	26.6	20	0.77
3.1mm C/S				
MOR-JIS-G025-90D	24.4	30.6	25	\$0.40
MOR-JIS-G030-90D	29.4	35.6	20	0.54
MOR-JIS-G035-90D	34.4	40.6	20	0.66
MOR-JIS-G040-90D	39.4	45.6	20	0.72
MOR-JIS-G045-90D	44.4	50.6	10	1.45
MOR-JIS-G050-90D	49.4	55.6	10	1.53
MOR-JIS-G055-90D	54.4	60.6	10	1.59
MOR-JIS-G060-90D	59.4	65.6	5	1.83
MOR-JIS-G065-90D	64.4	70.6	5	1.82
MOR-JIS-G070-90D	69.4	75.6	5	1.84
MOR-JIS-G075-90D	74.4	80.6	5	7.09
MOR-JIS-G080-90D	79.4	85.6	5	2.23
MOR-JIS-G085-90D	84.4	90.6	5	2.30

O-RINGS - 90 DURO NITRILE MOR-JIS STYLE

Part Number	A Nom. ID	B Nom. OD	Package Quantity	List Price
MOR-JIS-G090-90D	89.4	95.6	5	2.32
MOR-JIS-G095-90D	94.4	100.6	5	2.38
MOR-JIS-G100-90D	99.4	105.6	5	2.59
MOR-JIS-G105-90D	104.4	110.6	5	2.65
MOR-JIS-G110-90D	109.4	115.6	5	2.69
MOR-JIS-G115-90D	114.4	120.6	5	2.73
MOR-JIS-G120-90D	119.4	125.6	5	2.96
MOR-JIS-G125-90D	124.4	130.6	5	3.01
MOR-JIS-G130-90D	129.4	135.6	5	3.03
MOR-JIS-G135-90D	134.4	140.6	2	3.55
MOR-JIS-G140-90D	139.4	145.6	2	6.34
MOR-JIS-G145-90D	144.4	150.6	2	3.64
3.5mm C/S				
MOR-JIS-P022A-90D	21.7	28.7	20	\$0.46
MOR-JIS-P022.4-90D	22.1	29.1	20	0.56
MOR-JIS-P024-90D	23.7	30.7	20	0.72
MOR-JIS-P025-90D	24.7	31.7	20	0.72
MOR-JIS-P025.5-90D	25.2	32.2	20	0.56
MOR-JIS-P026-90D	25.7	32.7	10	0.94
MOR-JIS-P028-90D	27.7	34.7	10	1.00
MOR-JIS-P029-90D	28.7	35.7	10	1.19
MOR-JIS-P029.5-90D	29.2	36.2	20	0.61
MOR-JIS-P030-90D	29.7	36.7	10	1.20
MOR-JIS-P031-90D	30.7	37.7	10	1.24
MOR-JIS-P031.5-90D	31.2	38.2	20	0.63
MOR-JIS-P032-90D	31.7	38.7	10	1.26
MOR-JIS-P034-90D	33.7	40.7	10	1.32
MOR-JIS-P035-90D	34.7	41.7	10	1.32
MOR-JIS-P035.5-90D	35.2	42.2	20	0.79
MOR-JIS-P036-90D	35.7	42.7	10	1.34
MOR-JIS-P038-90D	37.7	44.7	10	1.41
MOR-JIS-P039-90D	38.7	45.7	10	1.42
MOR-JIS-P040-90D	39.7	46.7	10	1.43
MOR-JIS-P041-90D	40.7	47.7	10	1.45
MOR-JIS-P042-90D	41.7	48.7	10	1.50
MOR-JIS-P044-90D	43.7	50.7	5	1.62
MOR-JIS-P045-90D	44.7	51.7	5	1.62
MOR-JIS-P046-90D	45.7	52.7	5	1.65
MOR-JIS-P048-90D	47.7	54.7	5	2.10
MOR-JIS-P049-90D	48.7	55.7	5	2.16
MOR-JIS-P050-90D	49.7	56.7	5	2.17
4mm C/S				
MOR-JIS-V015-90D	14.5	22.5	2	\$2.58
MOR-JIS-V024-90D	23.5	31.5	2	2.79
5.7mm C/S				
MOR-JIS-P048A-90D	47.6	59	5	\$2.31
MOR-JIS-P050A-90D	49.6	61	5	2.38
MOR-JIS-P052-90D	51.6	63	5	8.26
MOR-JIS-P053-90D	52.6	64	5	2.48
MOR-JIS-P055-90D	54.6	66	5	2.54

O-RINGS - 90 DURO NITRILE MOR-JIS STYLE

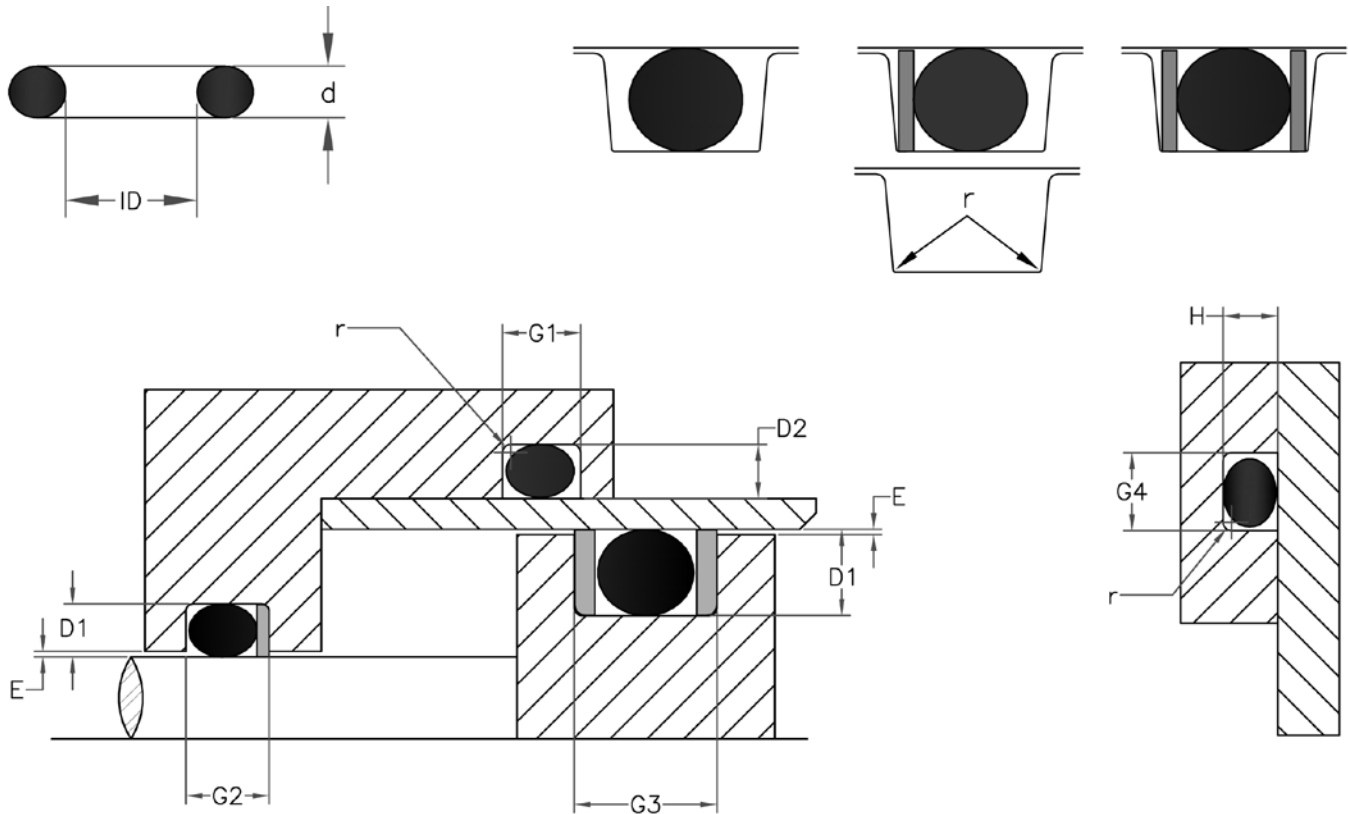
Part Number	A Nom. ID	B Nom. OD	Package Quantity	List Price
MOR-JIS-P056-90D	55.6	67	5	2.55
MOR-JIS-P058-90D	57.6	69	2	3.37
MOR-JIS-P060-90D	59.6	71	2	3.39
MOR-JIS-P062-90D	61.6	73	2	4.16
MOR-JIS-P063-90D	62.6	74	2	4.74
MOR-JIS-P065-90D	64.6	76	2	4.28
MOR-JIS-P067-90D	66.6	78	2	4.34
MOR-JIS-P070-90D	69.6	81	2	4.46
MOR-JIS-P071-90D	70.6	82	2	4.49
MOR-JIS-P075-90D	74.6	86	2	4.61
MOR-JIS-P080-90D	79.6	91	2	4.78
MOR-JIS-P085-90D	84.6	96	2	4.89
MOR-JIS-P090-90D	89.6	101	2	5.55
MOR-JIS-P095-90D	94.6	106	2	6.48
MOR-JIS-P100-90D	99.6	111	2	6.62
MOR-JIS-P102-90D	101.6	113	2	6.69
MOR-JIS-P105-90D	104.6	116	2	6.75
MOR-JIS-P110-90D	109.6	121	2	6.88
MOR-JIS-P112-90D	111.6	123	2	6.94
MOR-JIS-P115-90D	114.6	126	2	7.03
MOR-JIS-P120-90D	119.6	131	2	7.16
MOR-JIS-P125-90D	124.6	136	2	7.16
MOR-JIS-P130-90D	129.6	141	2	7.16
MOR-JIS-P132-90D	131.6	143	2	7.19
MOR-JIS-P135-90D	134.6	146	2	7.26
MOR-JIS-P140-90D	139.6	151	2	7.32
MOR-JIS-P145-90D	144.6	156	2	7.46
MOR-JIS-G150-90D	149.3	160.7	2	7.77
MOR-JIS-P150-90D	149.6	161	2	9.13
MOR-JIS-G155-90D	154.3	165.7	2	9.25
MOR-JIS-G160-90D	159.3	170.7	2	9.65
MOR-JIS-G165-90D	164.3	175.7	1	11.69
MOR-JIS-G170-90D	169.3	180.7	1	11.79
MOR-JIS-G175-90D	174.3	185.7	1	12.00
MOR-JIS-G180-90D	179.3	190.7	1	13.39
MOR-JIS-G185-90D	184.3	195.7	1	13.55
MOR-JIS-G190-90D	189.3	200.7	1	13.69
MOR-JIS-G195-90D	194.3	205.7	1	13.86
MOR-JIS-G200-90D	199.3	210.7	1	17.83
MOR-JIS-G205-90D	204.3	215.7	1	18.83
MOR-JIS-G210-90D	209.3	220.7	1	21.15
MOR-JIS-G215-90D	214.3	225.7	1	22.07
MOR-JIS-G220-90D	219.3	230.7	1	25.13
MOR-JIS-G225-90D	224.3	235.7	1	25.47
MOR-JIS-G230-90D	229.3	240.7	1	26.04
MOR-JIS-G235-90D	234.3	245.4	1	25.88
MOR-JIS-G240-90D	239.3	250.7	1	27.66
MOR-JIS-G250-90D	249.3	260.7	1	30.03
MOR-JIS-G255-90D	254.3	265.7	1	28.16
MOR-JIS-G260-90D	259.3	270.7	1	32.27

O-RINGS - 90 DURO NITRILE MOR-JIS STYLE

Part Number	A Nom. ID	B Nom. OD	Package Quantity	List Price
MOR-JIS-G270-90D	269.3	280.7	1	32.51
MOR-JIS-G275-90D	274.3	285.7	1	32.54
MOR-JIS-G280-90D	279.3	290.7	1	34.18
MOR-JIS-G290-90D	289.3	300.7	1	40.33
MOR-JIS-G300-90D	299.3	310.7	1	42.17
8.4mm C/S				
MOR-JIS-P150A-90D	149.5	166.3	1	\$25.62
MOR-JIS-P155-90D	154.5	171.3	1	16.47
MOR-JIS-P160-90D	159.5	176.3	1	18.20
MOR-JIS-P165-90D	164.5	181.3	1	18.45
MOR-JIS-P170-90D	169.5	186.3	1	18.69
MOR-JIS-P175-90D	174.5	191.3	1	18.95
MOR-JIS-P180-90D	179.5	196.3	1	20.54
MOR-JIS-P185-90D	184.5	201.3	1	21.40
MOR-JIS-P190-90D	189.5	206.3	1	21.69
MOR-JIS-P195-90D	194.5	211.3	1	21.95
MOR-JIS-P200-90D	199.5	216.3	1	22.25
MOR-JIS-P205-90D	204.5	221.3	1	27.09
MOR-JIS-P210-90D	209.5	226.3	1	27.17
MOR-JIS-P215-90D	214.5	231.3	1	28.18
MOR-JIS-P220-90D	219.5	236.3	1	32.17
MOR-JIS-P225-90D	224.5	241.3	1	31.91
MOR-JIS-P230-90D	229.5	246.3	1	74.06
MOR-JIS-P235-90D	234.5	251.3	1	41.92
MOR-JIS-P240-90D	239.5	256.3	1	41.61
MOR-JIS-P245-90D	244.5	261.3	1	40.34
MOR-JIS-P250-90D	249.5	266.3	1	92.85
MOR-JIS-P255-90D	254.5	271.3	1	91.51
MOR-JIS-P260-90D	259.5	276.3	1	60.50
MOR-JIS-P265-90D	264.5	281.3	1	64.67
MOR-JIS-P270-90D	269.5	286.3	1	111.43
MOR-JIS-P275-90D	274.5	291.3	1	104.59
MOR-JIS-P280-90D	279.5	296.3	1	116.06
MOR-JIS-P290-90D	289.5	306.3	1	111.11
MOR-JIS-P295-90D	294.5	311.3	1	113.30
MOR-JIS-P300-90D	299.5	316.3	1	85.49
MOR-JIS-P315-90D	314.5	331.3	1	125.34
MOR-JIS-P320-90D	319.5	336.3	1	85.91
MOR-JIS-P335-90D	334.5	351.3	1	128.95
MOR-JIS-P340-90D	339.5	356.3	1	57.28
MOR-JIS-P355-90D	354.5	371.3	1	54.47
MOR-JIS-P360-90D	359.5	376.3	1	106.30
MOR-JIS-P375-90D	374.5	391.3	1	120.45
MOR-JIS-P400-90D	399.5	416.3	1	139.44

Seal color may vary. Special order sizes are available.

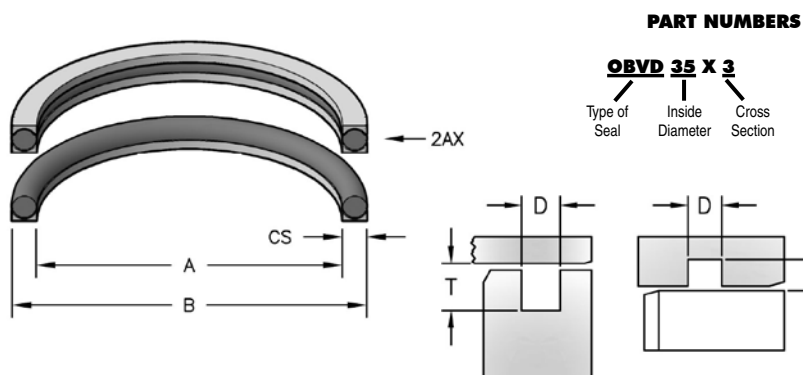
METRIC O-RING GROOVE DIMENSIONS



Cross Section d	Radial Installation					Axial Installation		Radius r ± 0.2	Gap E Max
	Groove Depth + 0.05		Groove Width			Groove Depth	Groove Width		
	Dynamic D1	Static D2	G1 ± 0.2	G2 ± 0.2	G3 ± 0.2	H + 0.05	G4 + 0.2		
1.5	1.25	1.10	2.00	3.00	4.00	1.10	2.10	0.30	0.05
1.60	1.30	1.20	2.10	3.10	4.10	1.20	2.20	0.30	0.05
1.78	1.45	1.30	2.40	3.60	5.20	1.30	2.60	0.30	0.06
2.40	2.05	1.80	3.20	4.60	6.00	1.80	3.30	0.30	0.06
2.62	2.25	2.00	3.60	5.00	6.40	2.00	3.80	0.30	0.07
3.00	2.60	2.30	4.00	5.40	6.80	2.30	4.00	0.60	0.07
3.53	3.10	2.70	4.80	6.20	7.60	2.70	5.00	0.60	0.08
4.00	3.50	3.10	5.20	6.90	8.60	3.10	5.30	0.60	0.08
5.33	4.70	4.30	7.10	9.00	10.90	4.30	7.30	0.60	0.10
5.70	5.00	4.60	7.20	9.00	11.00	4.60	7.40	0.60	0.10
7.00	6.10	5.80	9.50	12.30	15.10	5.80	9.70	1.00	0.13
8.40	7.50	7.10	10.00	12.80	15.60	7.10	10.30	1.00	0.13

O-RINGS - OBVD STATIC SEALS

OBVD static seals are a composite of an o-ring and a back-up ring. An 80 durometer nitrile o-ring is permanently affixed to a 95 durometer urethane back-up ring.



SEAL INFORMATION	
MATERIAL	NITRILE URETHANE
TEMPERATURE RANGE	-22° TO +212° F
PRESSURE RANGE	0 TO 7,250 PSI
SPEED	3 FT/SEC

Part Number	A Nom. ID	B Nom. OD	D GROOVE WIDTH	T GROOVE DEPTH	List Price
3mm C/S					
OBVD 32X3	32	38	3.90 ^{+0.20} / _{+0.00}	2.30 ^{+0.00} / _{-0.05}	\$76.01
OBVD 35X3	35	41	3.90 ^{+0.20} / _{+0.00}	2.30 ^{+0.00} / _{-0.05}	14.52
OBVD 56X3	56	62	3.90 ^{+0.20} / _{+0.00}	2.30 ^{+0.00} / _{-0.05}	14.15
OBVD 60X3	60	66	3.90 ^{+0.20} / _{+0.00}	2.30 ^{+0.00} / _{-0.05}	14.15
OBVD 75X3	75	81	3.90 ^{+0.20} / _{+0.00}	2.30 ^{+0.00} / _{-0.05}	17.84
OBVD 84X3	84	90	3.90 ^{+0.20} / _{+0.00}	2.30 ^{+0.00} / _{-0.05}	19.88
OBVD 85X3	85	91	3.90 ^{+0.20} / _{+0.00}	2.30 ^{+0.00} / _{-0.05}	19.88
OBVD 94X3	94	100	3.90 ^{+0.20} / _{+0.00}	2.30 ^{+0.00} / _{-0.05}	22.30
OBVD 95X3-2AX	95	101	4.40 ^{+0.20} / _{+0.00}	2.30 ^{+0.00} / _{-0.05}	44.60
OBVD 104X3	104	110	3.90 ^{+0.20} / _{+0.00}	2.30 ^{+0.00} / _{-0.05}	29.36
3.53mm C/S					
OBVD 53X3.53	53	60.06	4.50 ^{+0.20} / _{+0.00}	2.80 ^{+0.05} / _{+0.00}	\$14.52
OBVD 53.57X3.53	53.57	60.63	4.50 ^{+0.20} / _{+0.00}	2.80 ^{+0.05} / _{+0.00}	14.52
4mm C/S					
OBVD 57X4	57	65	5.20 ^{+0.20} / _{+0.00}	3.20 ^{+0.00} / _{-0.05}	\$20.65
OBVD 75X4	75	83	5.20 ^{+0.20} / _{+0.00}	3.20 ^{+0.00} / _{-0.05}	16.82
OBVD 82X4	82	90	5.20 ^{+0.20} / _{+0.00}	3.20 ^{+0.00} / _{-0.05}	19.11
OBVD 82X4-2AX	82	90	5.70 ^{+0.20} / _{+0.00}	3.20 ^{+0.00} / _{-0.05}	34.41
OBVD 87X4	87	95	5.20 ^{+0.20} / _{+0.00}	3.20 ^{+0.00} / _{-0.05}	19.11
OBVD 92X4	92	100	5.20 ^{+0.20} / _{+0.00}	3.20 ^{+0.00} / _{-0.05}	23.79
OBVD 110X4	110	118	5.20 ^{+0.20} / _{+0.00}	3.20 ^{+0.00} / _{-0.05}	29.06
OBVD 117X4	117	125	5.20 ^{+0.20} / _{+0.00}	3.20 ^{+0.00} / _{-0.05}	33.45

O-RINGS - OBVD STATIC SEALS


Part Number	A Nom. ID	B Nom. OD	D GROOVE WIDTH	T GROOVE DEPTH	List Price
OBVD 117X4-2AX	117	125	5.70 ^{+0.20} / _{+0.00}	3.20 ^{+0.00} / _{-0.05}	76.47
OBVD 118X4	118	126	5.20 ^{+0.20} / _{+0.00}	3.20 ^{+0.00} / _{-0.05}	29.45
OBVD 147X4	147	155	5.20 ^{+0.20} / _{+0.00}	3.20 ^{+0.00} / _{-0.05}	22.56
OBVD 195X4	195	203	5.20 ^{+0.20} / _{+0.00}	3.20 ^{+0.00} / _{-0.05}	38.23
5mm C/S					
OBVD 85X5	85	95	6.20 ^{+0.30} / _{+0.00}	4.20 ^{+0.00} / _{-0.10}	\$ 18.36
OBVD 110X5	110	120	6.20 ^{+0.30} / _{+0.00}	4.20 ^{+0.00} / _{-0.10}	29.06
OBVD 115X5	115	125	6.20 ^{+0.30} / _{+0.00}	4.20 ^{+0.00} / _{-0.10}	27.15
OBVD 135X5	135	145	6.20 ^{+0.30} / _{+0.00}	4.20 ^{+0.00} / _{-0.10}	26.38
OBVD 140X5	140	150	6.20 ^{+0.30} / _{+0.00}	4.20 ^{+0.00} / _{-0.10}	26.38
OBVD 150X5	150	160	6.20 ^{+0.30} / _{+0.00}	4.20 ^{+0.00} / _{-0.10}	27.15
6mm C/S					
OBVD 208X6	208	220	7.20 ^{+0.30} / _{+0.00}	5.10 ^{+0.00} / _{-0.10}	\$53.53
OBVD 212X6	212	224	7.20 ^{+0.30} / _{+0.00}	5.10 ^{+0.00} / _{-0.10}	53.53
OBVD 240X6	240	252	7.20 ^{+0.30} / _{+0.00}	5.10 ^{+0.00} / _{-0.10}	56.20
OBVD 298X6	298	310	7.20 ^{+0.30} / _{+0.00}	5.10 ^{+0.00} / _{-0.10}	77.99
7mm C/S					
OBVD 196X7	196	210	8.70 ^{+0.30} / _{+0.00}	6.00 ^{+0.00} / _{-0.10}	\$51.61
OBVD 240X7	240	254	8.70 ^{+0.30} / _{+0.00}	6.00 ^{+0.00} / _{-0.10}	52.00
8mm C/S					
OBVD 290X8	290	306	9.80 ^{+0.30} / _{+0.00}	6.80 ^{+0.00} / _{-0.10}	\$97.10
OBVD 380X8	380	396	9.80 ^{+0.30} / _{+0.00}	6.80 ^{+0.00} / _{-0.10}	257.94
OBVD 435X8	435	451	9.80 ^{+0.30} / _{+0.00}	6.80 ^{+0.00} / _{-0.10}	299.74
OBVD 560X8	560	576	9.80 ^{+0.30} / _{+0.00}	6.80 ^{+0.00} / _{-0.10}	593.36


Seal color may vary. Special order sizes are available.

SPECIAL ORDER O-RINGS - OBVD

Part Number	List Price	Part Number	List Price	Part Number	List Price
OBVD 196X7-2AX	\$ 108.74	OBVD 238X6	\$ 49.74	OBVD 392X8	\$ 411.59
OBVD 211X7-2AX	117.30	OBVD 242X6	83.47	OBVD 75X3-2AX	70.61
OBVD 223X6	52.21	OBVD 266X7	71.07		
OBVD 223X6-2AX	77.97	OBVD 280X8	78.20		

O-RINGS - SPECIAL ORDER

MOR	SEAL INFORMATION	
	MATERIAL	Blank = 70 Duro Nitrile V = 75 Duro Fluorocarbon 90D = 90 Duro Nitrile
	TEMPERATURE RANGE	-22° TO +212° F
	PRESSURE RANGE	0 TO 7,250 PSI
	SPEED	3 FT/SEC

MDY	SEAL INFORMATION	
	MATERIAL	NBR+FABRIC
	TEMPERATURE RANGE	-30° TO +100° C
	PRESSURE RANGE	250 (BAR)
	SPEED	0,5 M/S

Part Number	List Price
MDY-F-13	\$ 0.60
MDY-F-14	0.69
MDY-F-17	0.86
MDY-F-21	1.04
MDY-F-24	1.12
MDY-F-27	2.67
MDY-F-28	4.57
MDY-F-33	3.02
MDY-F-6	0.69
MDY-G-17	1.12
MDY-G-22	1.29
MDY-G-4	0.69
MDY-G-5	1.12
MDY-G-6	0.86
MDY-SB-036M	5.78
MOR-1.42X1.52	0.04
MOR-1.5X1	0.04
MOR-1.5X1V	0.62
MOR-1.8X1	0.04
MOR-1.8X1.2	0.10
MOR-10.1X1.6V	0.30
MOR-10.3X3.2	0.07
MOR-10.52X1.83V	0.66
MOR-10.5X2.7	0.07
MOR-100X5.33V	2.21
MOR-100X6V	17.38
MOR-100X7V	2.21
MOR-101.03X3.53-90D	1.77
MOR-102X2.5	0.89
MOR-102X3V	2.21

Part Number	List Price
MOR-102X4V	\$ 8.65
MOR-102X5V	13.01
MOR-103X6	1.55
MOR-104.1X5.7V	2.21
MOR-104.5X3V	3.48
MOR-104.5X7	0.96
MOR-104X6	1.55
MOR-105X3.5V	8.06
MOR-105X4.5V	11.17
MOR-105X4V	8.65
MOR-105X5V	12.42
MOR-105X6V	15.38
MOR-105X7	0.96
MOR-105X7V	30.02
MOR-106X2V	2.96
MOR-106X7	1.85
MOR-107X2.5	0.96
MOR-107X3.5	1.11
MOR-107X6-90D	1.77
MOR-108X3.5	1.11
MOR-108X3.5-90D	1.77
MOR-108X4V	9.90
MOR-108X5V	13.60
MOR-109.1X5.7V	17.38
MOR-109.54X5.33V	2.21
MOR-109.5X3-90D	1.77
MOR-109X3.5	0.96
MOR-10X1.3	0.07
MOR-10X1.8-90D	0.07
MOR-10X1V	0.30

Part Number	List Price
MOR-10X3.2	\$ 0.07
MOR-10X3.5V	0.59
MOR-10X5V	1.48
MOR-10X6	0.37
MOR-11.5X1.5	0.04
MOR-11.6X2.4V	0.66
MOR-11.8X2.1	0.07
MOR-110.74X1.78V	4.44
MOR-110X2.5V	6.21
MOR-110X3.5V	8.65
MOR-110X4V	0.05
MOR-110X5V	11.76
MOR-110X7	2.00
MOR-112X3V	7.39
MOR-112X5V	14.86
MOR-112X6	1.70
MOR-112X8	3.11
MOR-113X3.5-90D	1.77
MOR-115X2.5	0.96
MOR-115X3.5V	6.80
MOR-115X4.5V	12.42
MOR-115X4V	14.12
MOR-115X5V	20.33
MOR-115X6V	19.81
MOR-117.1X1.78V	4.07
MOR-117.48X5.33-90D	1.77
MOR-117.48X5.33V	4.07
MOR-117X8	0.96
MOR-118X3.5V	7.39
MOR-118X3V	4.36

O-RINGS - SPECIAL ORDER

Part Number	List Price	Part Number	List Price	Part Number	List Price
MOR-118X5V	\$ 14.86	MOR-125X5V	\$ 14.19	MOR-134X4-90D	\$ 2.73
MOR-118X6	1.70	MOR-125X6V	20.92	MOR-135X10	1.34
MOR-119.2X5.7V	4.07	MOR-125X8	5.48	MOR-135X2V	4.59
MOR-119X5.7	1.34	MOR-126X4.5	1.48	MOR-135X3.5	3.32
MOR-11X1V	0.66	MOR-127X3.5	1.34	MOR-135X3.5V	7.83
MOR-11X3.2	0.07	MOR-127X5.33V	5.03	MOR-135X4-90D	2.73
MOR-11X3.5	0.07	MOR-127X5V	14.56	MOR-135X4V	8.65
MOR-11X5	0.07	MOR-128X2.5	47.47	MOR-135X5V	18.63
MOR-11X6	0.30	MOR-128X6V	20.56	MOR-135X6V	24.84
MOR-12.07X5.34	0.07	MOR-129.4X1.78V	5.03	MOR-135X7	1.34
MOR-12.1X1.6V	0.73	MOR-129.5X3V	4.51	MOR-139.3X5.7V	16.19
MOR-12.1X2.1	0.07	MOR-129X3V	4.87	MOR-139.7X5.33-90D	2.73
MOR-12.1X2.7	0.05	MOR-12X1V	0.37	MOR-139.7X5.33V	5.03
MOR-12.1X2.7-90D	0.07	MOR-12X4.5	0.22	MOR-139X5	1.70
MOR-12.5X1	0.07	MOR-12X4V	0.89	MOR-13X1V	0.37
MOR-12.5X1-90D	0.07	MOR-12X5.5	0.07	MOR-13X3.2	0.07
MOR-12.5X2.5	0.07	MOR-12X5V	0.89	MOR-13X3.5	0.07
MOR-120.5X12	25.21	MOR-12X6	0.30	MOR-13X3-90D	0.07
MOR-120X3.5-90D	2.21	MOR-13.1X2.62V	0.89	MOR-13X4	0.14
MOR-120X3.5V	6.43	MOR-13.3X2.4-90D	0.45	MOR-13X4V	0.66
MOR-120X4.5	1.34	MOR-13.5X2V	0.45	MOR-13X5	0.22
MOR-120X4.5V	13.60	MOR-13.6X2.7-90D	0.07	MOR-13X6	0.30
MOR-120X4V	11.17	MOR-13.8X2.54	0.07	MOR-14.1X1.6V	0.45
MOR-120X5V	16.11	MOR-13.9X2.4	0.07	MOR-14.3X2.4V	0.59
MOR-120X6V	21.07	MOR-130X2.5	1.11	MOR-14.5X1.5	0.07
MOR-120X7	1.34	MOR-130X4V	10.22	MOR-14.5X2.5	0.07
MOR-122X2	1.34	MOR-130X5V	13.38	MOR-14.5X3	0.07
MOR-122X3V	8.06	MOR-130X8V	5.03	MOR-140X3.5V	8.35
MOR-122X4.5	1.34	MOR-132X2	1.34	MOR-140X3V	5.55
MOR-122X7	1.34	MOR-132X3.5V	11.17	MOR-140X4.5V	16.11
MOR-123.44X1.78V	5.03	MOR-132X3V	5.39	MOR-140X5V	18.63
MOR-123.83X5.33V	5.03	MOR-132X4V	17.08	MOR-140X6V	26.02
MOR-123X7	1.34	MOR-132X5V	14.04	MOR-142X3.5V	12.42
MOR-124.3X5.7V	19.81	MOR-132X6	1.34	MOR-142X3V	8.65
MOR-124.6X6.99	2.83	MOR-133.35X5.33V	5.03	MOR-142X4V	8.58
MOR-124.6X6.99-90D	2.80	MOR-134.3X5.7-90D	2.89	MOR-142X6-90D	2.73
MOR-124.6X6.99V	5.03	MOR-134.3X5.7V	22.32	MOR-142X6V	24.39
MOR-125X2.5V	5.03	MOR-134.5X4.5V	15.53	MOR-145.45X6.55	3.77
MOR-125X3.5V	6.87	MOR-134.5X6.99	1.34	MOR-145X3.5V	12.42
MOR-125X3V	4.28	MOR-134.5X6.99V	5.03	MOR-145X4V	8.50

O-RINGS - SPECIAL ORDER

Part Number	List Price	Part Number	List Price	Part Number	List Price
MOR-145X5V	\$ 18.70	MOR-154.1X8.4	\$ 3.32	MOR-161.9X6.99	\$ 6.80
MOR-145X6V	23.81	MOR-154.3X5.7V	38.74	MOR-161.9X6.99V	5.48
MOR-146.05X5.33	2.00	MOR-154.5X3	1.25	MOR-161.9X7.6	6.80
MOR-146.05X5.33V	5.03	MOR-155.6X6.99	1.85	MOR-1618X8	6.80
MOR-147X3	1.18	MOR-155.6X6.99-90D	2.73	MOR-162X3.5	1.93
MOR-148X3.5V	9.17	MOR-155.6X6.99V	5.03	MOR-162X3.5V	10.49
MOR-148X3V	11.17	MOR-155X2.5	1.55	MOR-162X3V	8.21
MOR-148X4V	13.60	MOR-155X4.5	2.07	MOR-162X4V	5.48
MOR-148X7	4.07	MOR-155X5.33V	25.66	MOR-162X5	2.21
MOR-149.23X5.33V	5.03	MOR-155X5V	5.03	MOR-164.3X5.7V	22.32
MOR-149.5X3	2.00	MOR-157X3	1.55	MOR-164.5X3	4.66
MOR-149.5X3-90D	2.73	MOR-158X5V	21.07	MOR-164X5	2.21
MOR-149.5X3V	11.17	MOR-159.1X8.4	3.69	MOR-165X10	10.35
MOR-14X1	0.05	MOR-159.5X3	1.25	MOR-165X4.5	2.21
MOR-14X1.5V	0.89	MOR-159.5X6.99	6.80	MOR-165X5.3	2.89
MOR-14X1.6	0.07	MOR-159.5X6.99V	5.03	MOR-165X6V	28.53
MOR-14X1V	0.89	MOR-159X4	1.70	MOR-167.7X5.33-90D	2.73
MOR-14X4V	0.89	MOR-15X1.5V	0.59	MOR-167.7X5.33V	5.48
MOR-14X5	0.22	MOR-15X1V	0.37	MOR-167X4	10.58
MOR-14X5V	0.89	MOR-15X3.2	0.07	MOR-168X3V	8.65
MOR-15.1X1.6V	0.45	MOR-15X3.5V	0.59	MOR-168X4V	16.11
MOR-15.1X2.7	0.06	MOR-15X4.5	0.30	MOR-169.3X5.7V	17.74
MOR-15.3X2.4V	1.34	MOR-15X4V	0.89	MOR-169.5X3	1.48
MOR-15.5X1	0.07	MOR-15X5V	1.62	MOR-16X1.2	0.07
MOR-15.5X3.5	0.07	MOR-15X6	0.30	MOR-16X1.25	0.07
MOR-15.6X2.4V	0.59	MOR-15X6V	0.89	MOR-16X1.5V	0.52
MOR-15.9X2.3	0.07	MOR-16.1X1.6-90D	0.22	MOR-16X1-90D	0.07
MOR-150X2.5	1.18	MOR-16.1X1.6V	0.45	MOR-16X1V	0.96
MOR-150X2.5V	9.90	MOR-16.3X2.4V	0.59	MOR-16X3.5V	0.73
MOR-150X3.5V	9.39	MOR-16.5X1.5	0.07	MOR-16X4V	0.73
MOR-150X3-90D	6.10	MOR-16.5X1.5V	0.52	MOR-16X6	0.30
MOR-150X3V	8.06	MOR-16.5X3	0.14	MOR-16X8	0.07
MOR-150X4V	15.97	MOR-16.82X5.34V	3.11	MOR-17.5X2.4	0.07
MOR-150X5V	17.29	MOR-16.9X2.7	0.07	MOR-17.6X2.4V	1.11
MOR-150X6V	27.28	MOR-160X3.5V	10.28	MOR-17.93X2.46	0.07
MOR-150X7	7.25	MOR-160X4.5V	18.63	MOR-170X2.5	45.09
MOR-151X3.5	1.70	MOR-160X4V	14.86	MOR-170X3.5V	10.80
MOR-152X3.5V	13.60	MOR-160X5V	17.22	MOR-170X4V	9.69
MOR-152X3V	7.25	MOR-160X6V	29.80	MOR-170X5V	17.74
MOR-152X4V	9.53	MOR-161.3X5.33V	5.48	MOR-170X6V	31.05

O-RINGS - SPECIAL ORDER



Part Number	List Price	Part Number	List Price	Part Number	List Price
MOR-170X8V	\$ 83.98	MOR-18.6X2.7	\$ 0.07	MOR-18X1V	\$ 1.11
MOR-171X5	2.80	MOR-18.7X1.9	0.07	MOR-18X2.2	0.07
MOR-172X4.5V	19.81	MOR-180X3.5V	16.11	MOR-18X3.5V	0.82
MOR-172X4V	53.45	MOR-180X3V	9.24	MOR-18X3V	1.77
MOR-172X6	3.25	MOR-180X4.5	2.80	MOR-18X4.5	0.22
MOR-174.1X8.4	4.14	MOR-180X5.5	2.89	MOR-18X6	0.30
MOR-174.3X5.7V	29.80	MOR-180X5-90D	5.03	MOR-18X7	2.29
MOR-174.5X3	1.85	MOR-180X5V	30.16	MOR-19.05X2.4	0.07
MOR-174X3.5	2.37	MOR-180X6V	33.49	MOR-19.2X3V	0.66
MOR-174X5.33	2.73	MOR-180X8V	5.48	MOR-19.3X2.4-90D	0.07
MOR-175X3.5V	15.53	MOR-181X6.99V	5.48	MOR-19.5X1.5	0.07
MOR-175X3V	8.35	MOR-182.46X5.27	1.93	MOR-19.8X3.6	0.07
MOR-175X4	2.89	MOR-182X3.5V	16.11	MOR-190X3.5V	10.49
MOR-175X4V	5.48	MOR-182X3V	13.60	MOR-190X4V	18.63
MOR-175X5V	20.25	MOR-182X4V	17.38	MOR-190X5V	26.02
MOR-175X6V	32.23	MOR-183.6X5.7	2.52	MOR-190X7	7.25
MOR-178X3.5V	16.11	MOR-184.1X8.4	4.96	MOR-193.3X4	2.89
MOR-178X3V	9.62	MOR-184.3X5.7V	20.25	MOR-193.7X6.99-90D	5.03
MOR-178X4V	17.38	MOR-184.5X3	2.00	MOR-193.7X6.99V	5.48
MOR-178X6	2.89	MOR-184X5	3.11	MOR-194.1X8.4	5.10
MOR-179.1X8.4	4.87	MOR-185X3.5V	16.11	MOR-194.3X5.7V	39.99
MOR-179.2X5.7	2.59	MOR-185X5-90D	5.03	MOR-194.5X3	10.94
MOR-179.3X5.7V	29.80	MOR-185X5V	21.43	MOR-195X3.5	2.89
MOR-179.5X3	1.85	MOR-185X6	3.77	MOR-195X3.5V	17.38
MOR-179X3	2.29	MOR-185X6V	34.74	MOR-195X4	4.96
MOR-179X3V	18.26	MOR-185X8	8.58	MOR-195X4V	18.63
MOR-179X4	2.37	MOR-186X3.5	2.73	MOR-195X5V	25.14
MOR-17X1.2	0.07	MOR-186X4	2.73	MOR-195X6	4.00
MOR-17X1V	0.70	MOR-186X7-90D	5.03	MOR-195X6V	36.01
MOR-17X3.5	0.14	MOR-187.3X6.99V	5.48	MOR-198X3.5V	5.48
MOR-17X4.5	0.22	MOR-187X4	2.73	MOR-199.1X8.4	5.10
MOR-17X4V	1.85	MOR-188X1.5	2.89	MOR-199.1X8.4V	63.35
MOR-17X5V	3.11	MOR-188X3	2.44	MOR-199.3X5.7V	33.49
MOR-18.1X1.6V	0.73	MOR-188X3.5V	16.11	MOR-199.8X6.99	7.25
MOR-18.3X2.4	0.06	MOR-188X3V	13.60	MOR-19X1.5V	1.04
MOR-18.3X3.6	0.07	MOR-188X4	7.17	MOR-19X1V	0.89
MOR-18.5X2	0.07	MOR-188X4V	5.48	MOR-19X3.5V	0.89
MOR-18.5X2.5V	0.89	MOR-189.1X8.4	5.03	MOR-19X4V	0.89
MOR-18.6X2.4	0.14	MOR-189.5X3	2.00	MOR-19X5V	1.04
MOR-18.6X2.4-90D	0.07	MOR-189.5X4.5V	22.32	MOR-2.2X1	0.10

O-RINGS - SPECIAL ORDER

Part Number	List Price	Part Number	List Price	Part Number	List Price
MOR-2.35X1	\$ 0.10	MOR-21.3X3.6	\$ 0.22	MOR-220X6	\$ 4.44
MOR-2.4X1.9	0.04	MOR-21.5X1	0.07	MOR-220X6V	38.60
MOR-2.4X1.9V	0.62	MOR-21.5X2.4V	0.82	MOR-220X8	7.69
MOR-2.6X1	0.10	MOR-21.5X3.4	0.07	MOR-221.62X6.99	4.14
MOR-2.6X1.6	0.10	MOR-21.6X2.4	0.07	MOR-221.62X6.99V	5.48
MOR-2.6X1.9	0.04	MOR-21.92X2.95	0.07	MOR-224X7	5.99
MOR-2.6X2	0.05	MOR-210X3	0.82	MOR-225X3.5V	19.81
MOR-2.75X1.6	0.10	MOR-210X3.5V	18.63	MOR-225X3-90D	5.03
MOR-2.7X1.5	0.10	MOR-210X3V	14.86	MOR-225X4	3.77
MOR-2.8X1.8	0.06	MOR-210X4V	15.90	MOR-225X4.5	3.92
MOR-20.3X2.4V	4.00	MOR-210X5	4.96	MOR-225X4V	19.00
MOR-200X3.5V	5.48	MOR-210X5-90D	5.03	MOR-225X6	4.59
MOR-200X3-90D	5.03	MOR-210X6V	37.04	MOR-225X6V	37.33
MOR-200X4V	5.48	MOR-210X8	7.25	MOR-226X7	7.25
MOR-200X5V	5.48	MOR-212X3	3.32	MOR-227X4.5V	26.02
MOR-200X6V	5.48	MOR-214X5	3.77	MOR-228X4	3.11
MOR-202X4	2.89	MOR-215X10V	169.22	MOR-229.1X8.4	7.25
MOR-203X3	3.03	MOR-215X3.5V	5.48	MOR-229.3X5.7V	5.48
MOR-204.1X8.4	5.18	MOR-215X3V	16.11	MOR-22X1V	0.89
MOR-204.1X8.4V	64.62	MOR-215X4	3.69	MOR-22X3.5-90D	0.14
MOR-204X5	3.48	MOR-215X5	3.77	MOR-22X4V	1.04
MOR-205X3.5V	18.63	MOR-215X6V	5.48	MOR-22X5V	0.89
MOR-205X3V	14.86	MOR-216X4	3.03	MOR-22X6	0.37
MOR-205X5-90D	11.97	MOR-218.5X4.5	3.77	MOR-22X8	0.07
MOR-205X5V	37.33	MOR-218X7	5.76	MOR-23.3X2.4	0.07
MOR-205X6	4.14	MOR-219.1X8.4	5.25	MOR-23.3X2.4V	1.25
MOR-205X6V	34.82	MOR-219.3X5.7V	31.05	MOR-23.47X2.95-90D	0.14
MOR-208.92X6.99-90D	7.69	MOR-21X1.5	0.07	MOR-23.5X2.4V	0.89
MOR-208.92X6.99V	31.71	MOR-21X3.5V	0.89	MOR-23.5X2.5	0.07
MOR-208X4	3.41	MOR-21X3V	2.52	MOR-230X2.5	5.25
MOR-208X4.5V	24.84	MOR-21X4V	0.89	MOR-230X3	5.39
MOR-208X6	4.14	MOR-21X5V	2.21	MOR-230X3.5	3.77
MOR-209.1X8.4	5.18	MOR-22.1X1.6V	0.89	MOR-230X3.5V	18.49
MOR-209.3X5.7V	36.01	MOR-22.3X2.4	0.07	MOR-230X3-90D	7.25
MOR-209.5X3	14.49	MOR-22.5X1	0.07	MOR-230X3V	15.53
MOR-20X1-90D	0.07	MOR-22.5X1.5	0.07	MOR-230X4	3.77
MOR-20X1V	0.89	MOR-22.7X2.6	0.07	MOR-230X4V	19.36
MOR-20X5V	3.11	MOR-220X3.5	3.69	MOR-230X5-90D	7.25
MOR-20X6V	0.89	MOR-220X3.5V	5.48	MOR-230X5V	41.77
MOR-21.1X1.9	0.07	MOR-220X4-90D	5.03	MOR-230X6	4.59

O-RINGS - SPECIAL ORDER



Part Number	List Price	Part Number	List Price	Part Number	List Price
MOR-230X6V	\$ 38.15	MOR-241X5	\$ 4.44	MOR-253.59X3.53V	\$ 7.10
MOR-230X7	12.79	MOR-242X6V	5.48	MOR-255X3	7.25
MOR-230X8	7.76	MOR-244X5	4.66	MOR-255X4-90D	34.53
MOR-234.1X8.4	5.84	MOR-245X3.5V	21.15	MOR-255X5V	5.18
MOR-234.32X6.99	4.07	MOR-245X3V	17.38	MOR-259.3X5.2	7.25
MOR-234.63X2.62V	5.48	MOR-245X4V	5.48	MOR-25X1-90D	0.14
MOR-235X3	3.92	MOR-245X5V	4.96	MOR-25X1V	0.89
MOR-235X3.5	7.25	MOR-247X6	5.48	MOR-25X2.4	0.52
MOR-235X3.5V	5.48	MOR-247X6.99V	4.44	MOR-25X4.5V	0.89
MOR-235X3V	17.38	MOR-248X3	22.84	MOR-25X4V	1.11
MOR-235X4V	19.74	MOR-249.1X8.4	5.48	MOR-25X6V	0.89
MOR-235X5V	32.23	MOR-249.3X5.7V	3.84	MOR-26.2X3	0.05
MOR-235X6V	57.37	MOR-249X4	5.99	MOR-26.59X2.95	0.07
MOR-235X8	10.72	MOR-24X1	0.14	MOR-26.5X2.65	0.22
MOR-235X8-90D	7.25	MOR-24X1.5-90D	0.14	MOR-26.5X3.5	9.14
MOR-236X7	6.43	MOR-24X1.5V	0.59	MOR-260X10-90D	18.77
MOR-238X6	4.87	MOR-24X1V	0.89	MOR-260X3V	3.55
MOR-238X7-90D	13.15	MOR-24X2V	1.04	MOR-260X4	3.69
MOR-239.1X8.4	5.84	MOR-24X3.5-90D	0.14	MOR-260X7V	5.25
MOR-23X1	0.14	MOR-24X4V	1.11	MOR-264.5X8.4	4.44
MOR-23X1.5V	1.18	MOR-24X5V	2.44	MOR-268X4	13.67
MOR-23X1V	0.89	MOR-24X6	0.37	MOR-26X2.5-90D	0.96
MOR-23X2.5-90D	0.30	MOR-24X6V	0.89	MOR-26X2.5V	0.82
MOR-23X2V	1.34	MOR-25.04X2.95	0.07	MOR-26X4V	0.89
MOR-23X3.5V	1.11	MOR-25.1X1.6V	0.89	MOR-26X5	0.45
MOR-23X4V	1.18	MOR-25.3X2.4	0.14	MOR-26X5V	0.89
MOR-23X5	0.37	MOR-25.5X1	0.07	MOR-26X6	0.45
MOR-23X5V	2.29	MOR-25.5X1.2	0.07	MOR-26X6V	3.84
MOR-23X6	0.37	MOR-25.8X3.53	0.07	MOR-27.1X1.6V	0.89
MOR-24.5X2.5	0.07	MOR-250X3	21.52	MOR-27.3X2.4-90D	0.30
MOR-24.6X2.4	0.07	MOR-250X3.5V	16.19	MOR-27.3X2.7	0.07
MOR-240.7X7	6.43	MOR-250X3V	4.44	MOR-27.5X2.4	0.07
MOR-240X3V	14.86	MOR-250X4.5	27.95	MOR-27.5X2.4V	0.96
MOR-240X4.5	6.43	MOR-250X4.5V	7.25	MOR-27.5X3	0.14
MOR-240X4-90D	7.25	MOR-250X4-90D	19.12	MOR-27.5X3-90D	0.14
MOR-240X4V	5.48	MOR-250X4V	28.16	MOR-27.8X3.6	0.07
MOR-240X5V	32.23	MOR-250X5V	5.18	MOR-270X10	8.94
MOR-240X6	4.87	MOR-250X6	16.42	MOR-270X8	4.87
MOR-240X6V	39.11	MOR-250X7	4.87	MOR-274X5	159.76
MOR-240X8	9.76	MOR-252X4	5.48	MOR-278.7X7V	11.17

O-RINGS - SPECIAL ORDER

Part Number	List Price	Part Number	List Price	Part Number	List Price
MOR-27X1.5V	\$ 0.89	MOR-3.4X1.9V	\$ 0.62	MOR-329.3X5.7	\$ 10.05
MOR-27X2.5-90D	1.55	MOR-3.5X0.9	0.06	MOR-329.57X6.99-90D	5.48
MOR-27X3.2	0.07	MOR-3.5X1.2	0.06	MOR-32X1.5V	0.89
MOR-27X4.5	0.37	MOR-3.5X2	0.10	MOR-32X5.7	0.07
MOR-27X4V	1.77	MOR-30.2X2.4-90D	0.14	MOR-32X5V	2.03
MOR-27X6	0.45	MOR-30.3X2.4	0.59	MOR-32X6	0.52
MOR-27X6V	0.89	MOR-300X10	5.48	MOR-32X8	1.48
MOR-27X8	0.07	MOR-300X6	4.80	MOR-33.3X2.4	0.22
MOR-28.2X3	0.89	MOR-304X7	10.05	MOR-33.3X2.4V	0.89
MOR-28.3X2.4	0.07	MOR-304X8.4	5.48	MOR-33.5X2	0.07
MOR-28.5X1.5	0.07	MOR-305X5	6.14	MOR-335.9X6.99	11.31
MOR-280X10	7.25	MOR-305X6	13.67	MOR-335X3	5.48
MOR-280X5-90D	7.25	MOR-30X1.5V	0.89	MOR-339.3X5.7	5.48
MOR-280X6-90D	9.46	MOR-30X1V	0.89	MOR-33X1	0.07
MOR-285X6	5.03	MOR-30X3.5V	3.18	MOR-33X2	0.05
MOR-28X1.5V	0.89	MOR-30X4.5V	0.14	MOR-33X3.5V	1.62
MOR-28X2V	0.59	MOR-30X6V	0.89	MOR-33X8	0.07
MOR-28X4V	1.25	MOR-31.2X3	0.07	MOR-34.1X3.6	0.07
MOR-28X5V	2.37	MOR-31.5X3	0.14	MOR-34.5X3	0.14
MOR-28X6V	3.92	MOR-310X10	20.11	MOR-34.5X5	0.07
MOR-29.1X1.6-90D	0.14	MOR-310X5	58.55	MOR-34.6X2.4V	0.89
MOR-29.1X1.6V	0.89	MOR-310X5V	35.44	MOR-340X5.33	5.48
MOR-29.3X3.6	0.07	MOR-310X6V	5.48	MOR-340X8	13.67
MOR-29.51X5.34V	0.89	MOR-310X8	6.66	MOR-345X10.5	5.48
MOR-29.74X2.95	0.07	MOR-315X6	5.48	MOR-34X2.5	0.22
MOR-290X2.5	5.10	MOR-315X7	10.05	MOR-34X3.5V	1.70
MOR-290X3	25.66	MOR-319.2X3.53-90D	5.48	MOR-34X5	0.07
MOR-290X4V	5.03	MOR-31X1.5	0.14	MOR-34X5V	0.89
MOR-29X1.5	0.07	MOR-31X1.5V	0.89	MOR-35.1X1.6V	0.89
MOR-29X2V	0.73	MOR-31X2.5V	0.89	MOR-35.9X1.85	0.07
MOR-29X3.5V	0.89	MOR-32.1X1.6V	0.89	MOR-350X5	5.91
MOR-29X5	0.45	MOR-32.5X2.65	0.07	MOR-350X5V	13.83
MOR-29X8	0.07	MOR-32.5X3	0.14	MOR-350X6	10.94
MOR-2X1.2	0.10	MOR-32.5X3.6	0.14	MOR-350X6-90D	14.56
MOR-2X1V	0.31	MOR-320X4	5.48	MOR-350X8	5.48
MOR-3.1X2.4	0.10	MOR-320X7	5.48	MOR-35X1	0.07
MOR-3.2X1.1V	0.62	MOR-325X5	5.48	MOR-35X3.2	0.07
MOR-3.2X1.8	0.05	MOR-325X6	13.67	MOR-35X4.5V	0.89
MOR-3.3X2.4V	0.62	MOR-328X10	5.48	MOR-35X4-90D	0.22
MOR-3.4X1.5	0.10	MOR-328X6	5.48	MOR-35X4V	0.89

O-RINGS - SPECIAL ORDER

Part Number	List Price	Part Number	List Price	Part Number	List Price
MOR-35X5-90D	0.22	MOR-39.2X3	\$ 0.07	MOR-41.78X3.53	\$ 0.07
MOR-35X5V	0.73	MOR-39.2X3V	0.89	MOR-412X8	5.48
MOR-35X6	0.07	MOR-39.5X3	0.22	MOR-415X6	19.81
MOR-35X6V	0.52	MOR-39.5X3V	0.89	MOR-41X1	0.07
MOR-36.2X3V	0.89	MOR-39.69X3.53V	0.89	MOR-41X2V	0.89
MOR-360X6	12.79	MOR-39X1.5	0.07	MOR-41X3.5	0.07
MOR-36X2.5-90D	2.14	MOR-39X1.5V	0.89	MOR-41X4.5	0.07
MOR-36X2V	1.18	MOR-39X2.5V	1.41	MOR-41X5V	1.34
MOR-36X4V	0.89	MOR-39X3.5-90D	0.22	MOR-41X6	0.59
MOR-36X5V	0.89	MOR-3X1.6	0.10	MOR-42.2X5.7-90D	0.45
MOR-36X6V	0.89	MOR-3X1.8	0.10	MOR-42.5X3	0.22
MOR-37.1X1.6V	0.89	MOR-3X1-90D	0.09	MOR-42.86X3.53V	1.34
MOR-37.2X5.7	0.37	MOR-3X2.7	0.10	MOR-420X8	22.84
MOR-37.3X3.6	0.07	MOR-3X3	0.10	MOR-425X6	18.33
MOR-37.3X3.6V	1.70	MOR-3X3V	0.41	MOR-42X14	0.07
MOR-37.6X2.4V	0.89	MOR-4.2X1.9V	0.31	MOR-42X2V	1.34
MOR-379.3X5.7-90D	5.48	MOR-4.3X2.4V	0.62	MOR-42X3.5V	2.21
MOR-37X1.5V	0.89	MOR-4.5X1.8V	0.41	MOR-42X4-90D	0.45
MOR-37X2V	0.89	MOR-4.6X1.85	0.05	MOR-42X4V	1.34
MOR-37X3-90D	0.30	MOR-4.6X2.4V	0.62	MOR-42X5V	1.34
MOR-37X5	0.45	MOR-4.7X1.42V	0.62	MOR-42X6	0.59
MOR-37X8	0.07	MOR-4.7X1.6	0.10	MOR-42X6V	1.34
MOR-380X8-90D	21.88	MOR-4.7X1.6V	0.41	MOR-43X2-90D	0.45
MOR-386X6	8.42	MOR-4.8X1.6	0.10	MOR-43X2V	1.34
MOR-387X3	7.25	MOR-4.9X1.9-90D	0.10	MOR-43X3.5V	1.34
MOR-387X7	5.48	MOR-40X2-90D	1.70	MOR-43X4.5	0.07
MOR-388X5	11.90	MOR-40X2V	1.34	MOR-43X5	0.07
MOR-38X1.5	0.22	MOR-40X3.5-90D	0.82	MOR-43X5V	4.36
MOR-38X1.8	0.14	MOR-40X3.5V	5.48	MOR-43X6	0.59
MOR-38X10	0.07	MOR-40X4.5	0.45	MOR-43X8	0.07
MOR-38X2.4	0.07	MOR-40X4.5V	1.34	MOR-44.2X3V	1.34
MOR-38X2.5V	3.41	MOR-40X5V	1.34	MOR-44.3X5.7-90D	0.45
MOR-38X2V	0.82	MOR-40X6	0.52	MOR-44.3X5.7V	1.34
MOR-38X3.53	0.07	MOR-40X6V	1.34	MOR-44.45X3.53V	1.34
MOR-38X3.5V	0.89	MOR-40X8	0.07	MOR-440X8	13.67
MOR-38X4.5	0.07	MOR-41.28X3.53V	2.07	MOR-445X5	13.67
MOR-38X5V	0.89	MOR-41.2X5.7	0.37	MOR-44X1	0.45
MOR-38X6	0.52	MOR-41.4X5.33	0.07	MOR-44X1.5V	1.34
MOR-38X6V	0.89	MOR-41.6X2.4	0.07	MOR-44X2.6V	1.48
MOR-39.2X2.5	0.07	MOR-41.6X2.4V	1.34	MOR-44X2-90D	0.45

O-RINGS - SPECIAL ORDER

Part Number	List Price	Part Number	List Price	Part Number	List Price
MOR-44X3V	\$ 1.73	MOR-48X9	\$ 0.45	MOR-5X3V	\$ 0.62
MOR-44X4.5	0.45	MOR-49.2X3	1.04	MOR-5X5	0.21
MOR-44X5.5	0.45	MOR-49.5X3-90D	0.37	MOR-6.07X1.63	1.14
MOR-44X5V	1.34	MOR-49X1	0.37	MOR-6.1X1.6V	0.31
MOR-44X6	0.59	MOR-49X2.5V	1.77	MOR-6.3X2.4-90D	0.10
MOR-44X6V	1.34	MOR-49X3V	2.29	MOR-6.3X2.4V	11.59
MOR-45.2X5.7	0.45	MOR-49X4-90D	0.45	MOR-6.4X1.9	0.10
MOR-45.3X5.7V	7.69	MOR-49X6	0.66	MOR-6.5X2	0.10
MOR-45.6X1.78V	1.34	MOR-4X1.2	0.06	MOR-60X2.5V	5.39
MOR-450X5	13.67	MOR-4X1.3	0.62	MOR-60X4V	3.77
MOR-455X4	13.67	MOR-4X1.5V	0.31	MOR-62X2V	2.52
MOR-45X1	0.45	MOR-4X1.6V	0.41	MOR-63X3V	5.18
MOR-45X10	2.37	MOR-4X1.8V	0.41	MOR-64.2X5.7V	10.13
MOR-45X3V	2.96	MOR-4X1-90D	0.10	MOR-64.5X3V	4.28
MOR-45X4V	3.11	MOR-4X2.5V	1.14	MOR-65.09X3.53	0.37
MOR-45X5V	4.59	MOR-4X4	0.10	MOR-65X3.5-90D	0.45
MOR-45X6	0.66	MOR-4X5	0.62	MOR-66X3V	5.10
MOR-46.04X3.53-90D	0.45	MOR-5.1X1	0.62	MOR-66X5V	6.43
MOR-460X6	13.67	MOR-5.1X1.6V	0.31	MOR-67X2.5V	2.59
MOR-46X2V	3.69	MOR-5.3X2.4V	1.14	MOR-67X3.5V	4.07
MOR-46X4.5	0.45	MOR-5.5X1	0.62	MOR-67X3-90D	0.59
MOR-46X4V	4.28	MOR-5.5X1.5V	0.62	MOR-67X3V	2.89
MOR-46X5V	6.21	MOR-5.5X2.4	0.06	MOR-67X4V	3.41
MOR-47.5X2.5	0.30	MOR-5.5X3	0.10	MOR-68X2V	2.59
MOR-47X2V	1.77	MOR-500X3	13.67	MOR-68X3.5V	4.96
MOR-47X4-90D	0.45	MOR-505X3	13.67	MOR-68X4-90D	0.59
MOR-47X4V	3.25	MOR-50X1.5	0.37	MOR-68X4V	3.11
MOR-47X5	0.59	MOR-50X3.5V	1.77	MOR-68X5V	11.17
MOR-47X6	0.66	MOR-516X6	22.63	MOR-68X6V	9.01
MOR-480X6	13.67	MOR-518X8	22.84	MOR-68X7	1.41
MOR-48X1.5	0.45	MOR-51X6	4.21	MOR-69.2X5.7V	8.58
MOR-48X10	2.59	MOR-532.18X5.33-90D	22.84	MOR-69.5X3-90D	0.59
MOR-48X2V	1.62	MOR-532.26X6.99-90D	22.84	MOR-69.5X3V	4.07
MOR-48X3.5-90D	0.45	MOR-54.2X5.7	1.48	MOR-69.85X3.53V	1.77
MOR-48X5V	4.80	MOR-54.5X3-90D	0.93	MOR-69X1.5	0.73
MOR-48X6	0.66	MOR-569.27X6.99-90D	6.80	MOR-69X3.5V	4.36
MOR-48X6.5	0.45	MOR-58X3V	1.77	MOR-69X4.5	3.48
MOR-48X6V	6.66	MOR-5X1.2	0.10	MOR-6X1.2	0.07
MOR-48X7	1.41	MOR-5X2.5-90D	0.10	MOR-6X1-90D	0.10
MOR-48X8	4.28	MOR-5X2.5V	1.45	MOR-6X2.2	0.10

O-RINGS - SPECIAL ORDER

Part Number	List Price	Part Number	List Price	Part Number	List Price
MOR-6X2.5V	\$ 0.62	MOR-75X3.5V	\$ 6.21	MOR-80X3.5V	\$ 6.80
MOR-6X3V	0.62	MOR-75X3V	4.28	MOR-80X4.5V	9.32
MOR-6X4	0.10	MOR-75X4.5	0.96	MOR-80X5V	7.17
MOR-6X4.5	0.10	MOR-75X4V	3.41	MOR-80X6V	14.86
MOR-6X4V	0.62	MOR-75X6V	13.60	MOR-80X8	2.29
MOR-6X6	0.10	MOR-76X1.5	0.59	MOR-81X2	0.66
MOR-7.5X1	0.10	MOR-76X2.5V	4.28	MOR-82X2.5V	4.96
MOR-7.5X1.5-90D	0.10	MOR-76X3V	4.28	MOR-82X3V	4.96
MOR-7.5X2.4	0.10	MOR-76X5	0.59	MOR-83.8X2.62V	2.21
MOR-7.5X2-90D	0.10	MOR-77.5X2.62V	2.89	MOR-83X4.5	0.59
MOR-7.5X2V	0.62	MOR-77X5	0.14	MOR-84.1X5.7	0.59
MOR-7.65X1.78EPDM	0.21	MOR-77X5-90D	0.89	MOR-84X2.5	0.59
MOR-7.6X1.2	0.10	MOR-78X2.5	0.59	MOR-84X2V	2.21
MOR-70X1.5V	3.69	MOR-78X2.5V	4.28	MOR-84X3.5V	4.51
MOR-70X2V	3.11	MOR-78X2V	3.84	MOR-84X4V	8.06
MOR-70X3.5V	1.77	MOR-78X4.5	0.59	MOR-84X6	3.03
MOR-70X4.5V	8.06	MOR-78X4V	7.39	MOR-85.34X1.78V	2.21
MOR-70X5V	13.08	MOR-78X5V	10.49	MOR-85X2-90D	0.89
MOR-70X7	1.48	MOR-78X6V	14.27	MOR-85X2V	5.10
MOR-71X2.5	0.59	MOR-79.2X5.7V	13.60	MOR-85X3.5V	6.80
MOR-71X3.5V	6.21	MOR-79.5X3V	6.43	MOR-85X4V	8.06
MOR-71X4.5	0.59	MOR-7X1	0.06	MOR-85X5V	7.39
MOR-72.2X5.7	0.66	MOR-7X1.2	0.21	MOR-85X6V	10.94
MOR-72X1.5V	3.69	MOR-7X1.7V	0.62	MOR-85X7V	54.64
MOR-72X2-90D	0.59	MOR-7X1V	0.62	MOR-86X16	0.59
MOR-72X5V	9.90	MOR-7X5	0.41	MOR-86X2.5V	4.96
MOR-72X7	11.39	MOR-7X5V	0.62	MOR-86X2V	4.28
MOR-73X3.5V	8.14	MOR-7X6	0.41	MOR-86X3.5-90D	0.89
MOR-73X3V	4.28	MOR-7X6V	0.62	MOR-86X4.5	0.59
MOR-73X4.5V	1.77	MOR-8.1X1.6V	0.62	MOR-87X4	0.89
MOR-74.2X5.7V	1.77	MOR-8.4X1.6	0.10	MOR-87X5.33	0.59
MOR-74.5X3V	4.44	MOR-8.4X2.2	0.10	MOR-88.5X3.53V	2.21
MOR-74.63X5.33V	2.21	MOR-8.5X1	0.10	MOR-88X3.5	0.59
MOR-74X1	0.59	MOR-8.5X1.25	0.10	MOR-88X3.5V	2.21
MOR-74X1.5	0.59	MOR-8.5X2V	0.62	MOR-88X5V	14.86
MOR-74X2.5	0.59	MOR-8.9X1.8	0.07	MOR-88X6V	14.86
MOR-74X6	0.59	MOR-8.9X1.9	0.05	MOR-89.5X3	1.25
MOR-75X2.5V	2.66	MOR-8.9X2.7	0.06	MOR-89.5X3V	5.55
MOR-75X2V	3.69	MOR-80X2.5V	8.35	MOR-89X3.5V	6.80
MOR-75X3.5-90D	0.89	MOR-80X2V	2.00	MOR-8X1.36	0.10

O-RINGS - SPECIAL ORDER

Part Number	List Price	Part Number	List Price	Part Number	List Price
MOR-8X1.8V	\$ 0.41	MOR-90X7V	\$ 34.74	MOR-96X5V	\$ 12.42
MOR-8X1V	0.31	MOR-91X2	0.96	MOR-97.8X3.53	0.59
MOR-8X2.2	0.10	MOR-92.06X6.94	0.59	MOR-97X4V	5.25
MOR-8X2.5V	0.62	MOR-92X1.5	0.59	MOR-97X5-90D	0.89
MOR-8X3.2	0.10	MOR-92X3V	4.96	MOR-98.05X1.78V	2.21
MOR-8X3.5	0.10	MOR-92X4V	8.06	MOR-98X2.5V	5.55
MOR-8X4.5	0.21	MOR-92X8	0.59	MOR-98X3.5V	5.18
MOR-8X4V	0.83	MOR-93X3V	5.18	MOR-98X3V	6.21
MOR-8X5	0.21	MOR-93X5	0.59	MOR-98X4V	8.65
MOR-9.5X1	0.06	MOR-94.3X5.7V	14.86	MOR-98X5V	11.76
MOR-9.5X1-90D	0.07	MOR-94.5X3V	4.96	MOR-98X6	1.48
MOR-9.5X2.75	0.07	MOR-94X1	0.59	MOR-99.5X3-90D	1.64
MOR-9.5X2V	0.66	MOR-94X2.5V	4.96	MOR-99X5.7V	15.53
MOR-9.6X2.4V	0.45	MOR-94X2V	4.28	MOR-99X6	1.48
MOR-9.92X2.62V	0.66	MOR-95X1.5V	3.69	MOR-9X1.2	0.10
MOR-90X1	0.59	MOR-95X3.5V	4.80	MOR-9X1.5V	0.93
MOR-90X1.5V	3.69	MOR-95X4.5V	6.58	MOR-9X1V	0.93
MOR-90X2.5V	4.96	MOR-95X5V	8.65	MOR-9X2.2	0.10
MOR-90X2V	4.28	MOR-95X6	1.48	MOR-9X5	0.21
MOR-90X3V	5.55	MOR-95X6V	16.70	MOR-9X5.5	0.10
MOR-90X4.5V	11.39	MOR-95X7	0.59	MOR-9X6	0.41
MOR-90X4V	4.07	MOR-95X8-90D	0.89	MOR-9X6V	1.11
MOR-90X5V	11.76	MOR-96X2.5V	3.48		
MOR-90X6V	16.11	MOR-96X3V	5.55		

O-RING CORD STOCK

Part Number	List Price
MORC-1.5	\$0.83
MORC-2.0	0.88
MORC-2.5	1.08
MORC-3.0	1.42
MORC-4.0	1.52
MORC-5.0	2.31
MORC-5.7	2.67
MORC-6.0	2.35
MORC-8.4	3.49

Sold by the foot.