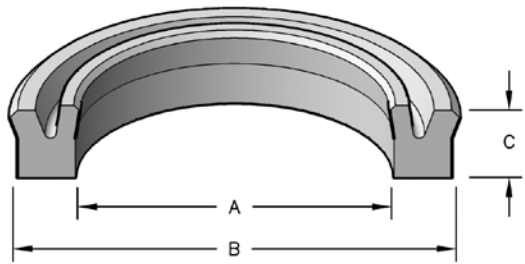


STYLE MPU PISTON SEALS



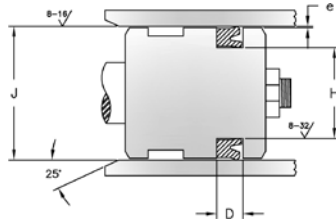
Molded from high quality urethane, the MPU is designed specifically for piston applications.



A = Alternative to NOK

PART NUMBERS

MPU - 15 X 25 X 8.2
 ↓ ↓ ↓ ↓
 Type of Seal Inside Diameter Outside Diameter Height



SEAL INFORMATION	
MATERIAL	URETHANE
TEMPERATURE RANGE	-22° TO +212° F
PRESSURE RANGE	0 TO 5,000 PSI
SPEED	3 FT/SEC

Part Number	A Nom. ID	B Nom. OD	C Nom. Ht	D GROOVE WIDTH	H GROOVE DIAMETER	J BORE DIAMETER	List Price
MPU-17X25X5.7	17	25	5.7	6.30 +0.30 +0.00	17.00 +0.00 -0.07	25.00 +0.052 +0.000	\$8.93
MPU-15X25X8.2	15	25	8.2	9.00 +0.30 +0.00	15.00 +0.00 -0.07	25.00 +0.052 +0.000	8.47
MPU-24X32X5.7	24	32	5.7	6.30 +0.30 +0.00	24.00 +0.000 -0.084	32.00 +0.062 +0.000	8.93
MPU-25X35X7.3	25	35	7.3	8.00 +0.30 +0.00	25.00 +0.000 -0.084	35.00 +0.062 +0.000	9.72
MPU-21X37X11.8	21	37	11.8	13.00 +0.30 +0.00	21.00 +0.000 -0.084	37.00 +0.062 +0.000	10.42
MPU-30X40X7.3	30	40	7.3	8.00 +0.30 +0.00	30.00 +0.000 -0.084	40.00 +0.062 +0.000	9.72
MPU-35X45X6	35	45	6	7.00 +0.30 +0.00	35.00 +0.00 -0.10	45.00 +0.062 +0.000	12.97
MPU-35X45X7	35	45	7	8.00 +0.30 +0.00	35.00 +0.00 -0.10	45.00 +0.062 +0.000	7.70
MPU-40X50X6	40	50	6	7.00 +0.30 +0.00	40.00 +0.00 -0.10	50.00 +0.062 +0.000	14.94
MPU-40X50X7.3	40	50	7.3	8.00 +0.30 +0.00	40.00 +0.00 -0.10	50.00 +0.062 +0.000	13.53
MPU-32X50X10	32	50	10	11.00 +0.30 +0.00	32.00 +0.00 -0.10	50.00 +0.062 +0.000	8.80
MPU-45X55X6	45	55	6	7.00 +0.30 +0.00	45.00 +0.00 -0.10	55.00 +0.074 +0.000	14.36
MPU-45X55X7.3	45	55	7.3	8.00 +0.30 +0.00	45.00 +0.00 -0.10	55.00 +0.074 +0.000	13.53
MPU-50X60X6	50	60	6	7.00 +0.30 +0.00	50.00 +0.00 -0.10	60.00 +0.074 +0.000	14.40
MPU-50X60X7	50	60	7	8.00 +0.30 +0.00	50.00 +0.00 -0.10	60.00 +0.074 +0.000	14.40
MPU-45X60X10	45	60	10	11.00 +0.30 +0.00	45.00 +0.00 -0.10	60.00 +0.074 +0.000	12.03
MPU-53X63X7	53	63	7	8.00 +0.30 +0.00	53.00 +0.00 -0.12	63.00 +0.074 +0.000	10.47
MPU-53X63X7.3	53	63	7.3	8.00 +0.30 +0.00	53.00 +0.00 -0.12	63.00 +0.074 +0.000	11.64
MPU-48X63X9-A	48	63	9	10.00 +0.30 +0.00	48.00 +0.00 -0.10	63.00 +0.074 +0.000	4.13
MPU-48X63X11.4	48	63	11.4	12.50 +0.30 +0.00	48.00 +0.00 -0.10	63.00 +0.074 +0.000	12.03



STYLE MPU PISTON SEALS

Part Number	A Nom. ID	B Nom. OD	C Nom. Ht	D GROOVE WIDTH	H GROOVE DIAMETER	J BORE DIAMETER	List Price
MPU-53X63X12	53	63	12	13.00 ^{+0.30} / _{+0.00}	53.00 ^{+0.00} / _{-0.12}	63.00 ^{+0.074} / _{+0.000}	9.78
MPU-55X65X7	55	65	7	8.00 ^{+0.30} / _{+0.00}	55.00 ^{+0.00} / _{-0.12}	65.00 ^{+0.074} / _{+0.000}	5.17
MPU-50X65X10	50	65	10	11.00 ^{+0.30} / _{+0.00}	50.00 ^{+0.00} / _{-0.10}	65.00 ^{+0.074} / _{+0.000}	19.82
MPU-60X70X6	60	70	6	7.00 ^{+0.30} / _{+0.00}	60.00 ^{+0.00} / _{-0.12}	70.00 ^{+0.074} / _{+0.000}	18.79
MPU-55X70X9	55	70	9	10.00 ^{+0.30} / _{+0.00}	55.00 ^{+0.00} / _{-0.12}	70.00 ^{+0.074} / _{+0.000}	22.06
MPU-55X70X10	55	70	10	11.00 ^{+0.30} / _{+0.00}	55.00 ^{+0.00} / _{-0.12}	70.00 ^{+0.074} / _{+0.000}	15.12
MPU-50X70X12	50	70	12	13.00 ^{+0.30} / _{+0.00}	50.00 ^{+0.00} / _{-0.10}	70.00 ^{+0.074} / _{+0.000}	21.68
MPU-60X70X12	60	70	12	13.00 ^{+0.30} / _{+0.00}	60.00 ^{+0.00} / _{-0.12}	70.00 ^{+0.074} / _{+0.000}	7.24
MPU-50X70X15	50	70	15	16.00 ^{+0.30} / _{+0.00}	50.00 ^{+0.00} / _{-0.10}	70.00 ^{+0.074} / _{+0.000}	10.47
MPU-61X71X6	61	71	6	7.00 ^{+0.30} / _{+0.00}	61.00 ^{+0.00} / _{-0.12}	71.00 ^{+0.074} / _{+0.000}	21.68
MPU-57X73X10	57	73	10	11.00 ^{+0.30} / _{+0.00}	57.00 ^{+0.00} / _{-0.12}	73.00 ^{+0.074} / _{+0.000}	20.69
MPU-65X75X6	65	75	6	7.00 ^{+0.30} / _{+0.00}	65.00 ^{+0.00} / _{-0.12}	75.00 ^{+0.074} / _{+0.000}	21.68
MPU-67X75X8.8	67	75	8.8	9.70 ^{+0.30} / _{+0.00}	67.00 ^{+0.00} / _{-0.12}	75.00 ^{+0.074} / _{+0.000}	12.83
MPU-62X78X10	62	78	10	11.00 ^{+0.30} / _{+0.00}	62.00 ^{+0.00} / _{-0.12}	78.00 ^{+0.074} / _{+0.000}	18.87
MPU-70X80X6	70	80	6	7.00 ^{+0.30} / _{+0.00}	70.00 ^{+0.00} / _{-0.12}	80.00 ^{+0.074} / _{+0.000}	32.39
MPU-70X80X6.8	70	80	6.8	7.50 ^{+0.30} / _{+0.00}	70.00 ^{+0.00} / _{-0.12}	80.00 ^{+0.074} / _{+0.000}	14.74
MPU-70X80X7	70	80	7	8.00 ^{+0.30} / _{+0.00}	70.00 ^{+0.00} / _{-0.12}	80.00 ^{+0.074} / _{+0.000}	8.80
MPU-65X80X9	65	80	9	10.00 ^{+0.30} / _{+0.00}	65.00 ^{+0.00} / _{-0.12}	80.00 ^{+0.074} / _{+0.000}	39.94
MPU-65X80X11.4	65	80	11.4	12.50 ^{+0.30} / _{+0.00}	65.00 ^{+0.00} / _{-0.12}	80.00 ^{+0.074} / _{+0.000}	22.81
MPU-60X80X12	60	80	12	13.00 ^{+0.30} / _{+0.00}	60.00 ^{+0.00} / _{-0.12}	80.00 ^{+0.074} / _{+0.000}	39.94
MPU-65X80X12	65	80	12	13.00 ^{+0.30} / _{+0.00}	65.00 ^{+0.00} / _{-0.12}	80.00 ^{+0.074} / _{+0.000}	10.47
MPU-80X90X6	80	90	6	7.00 ^{+0.30} / _{+0.00}	80.00 ^{+0.00} / _{-0.12}	90.00 ^{+0.087} / _{+0.000}	38.17
MPU-75X90X9	75	90	9	10.00 ^{+0.30} / _{+0.00}	75.00 ^{+0.00} / _{-0.12}	90.00 ^{+0.087} / _{+0.000}	26.50
MPU-70X90X12	70	90	12	13.00 ^{+0.30} / _{+0.00}	70.00 ^{+0.00} / _{-0.12}	90.00 ^{+0.087} / _{+0.000}	50.88
MPU-90X100X6.8	90	100	6.8	7.50 ^{+0.30} / _{+0.00}	90.00 ^{+0.00} / _{-0.14}	100.00 ^{+0.087} / _{+0.000}	19.28
MPU-85X100X9	85	100	9	10.00 ^{+0.30} / _{+0.00}	85.00 ^{+0.00} / _{-0.14}	100.00 ^{+0.087} / _{+0.000}	33.34
MPU-85X100X11.4	85	100	11.4	12.50 ^{+0.30} / _{+0.00}	85.00 ^{+0.00} / _{-0.14}	100.00 ^{+0.087} / _{+0.000}	21.76
MPU-80X100X12	80	100	12	13.00 ^{+0.30} / _{+0.00}	80.00 ^{+0.00} / _{-0.12}	100.00 ^{+0.087} / _{+0.000}	37.33
MPU-85X105X15	85	105	15	16.00 ^{+0.30} / _{+0.00}	85.00 ^{+0.00} / _{-0.14}	105.00 ^{+0.087} / _{+0.000}	40.33
MPU-100X110X8	100	110	8	9.00 ^{+0.30} / _{+0.00}	100.00 ^{+0.00} / _{-0.14}	110.00 ^{+0.087} / _{+0.000}	41.60

STYLE MPU PISTON SEALS



Part Number	A Nom. ID	B Nom. OD	C Nom. Ht	D GROOVE WIDTH	H GROOVE DIAMETER	J BORE DIAMETER	List Price
MPU-90X110X12	90	110	12	13.00 ^{+0.30} / _{+0.00}	90.00 ^{+0.00} / _{-0.14}	110.00 ^{+0.087} / _{+0.000}	41.60
MPU-105X125X14.5	105	125	14.5	16.00 ^{+0.30} / _{+0.00}	105.00 ^{+0.00} / _{-0.14}	125.00 ^{+0.10} / _{+0.00}	46.14
MPU-115X125X15	115	125	15	16.00 ^{+0.30} / _{+0.00}	115.00 ^{+0.00} / _{-0.14}	125.00 ^{+0.10} / _{+0.00}	15.36
MPU-140X150X13.6	140	150	13.6	15.00 ^{+0.30} / _{+0.00}	140.00 ^{+0.00} / _{-0.16}	150.00 ^{+0.10} / _{+0.00}	42.56
MPU-130X150X14.5	130	150	14.5	16.00 ^{+0.30} / _{+0.00}	130.00 ^{+0.00} / _{-0.16}	150.00 ^{+0.10} / _{+0.00}	55.07
MPU-140X160X18.2	140	160	18.2	20.00 ^{+0.30} / _{+0.00}	140.00 ^{+0.00} / _{-0.16}	160.00 ^{+0.10} / _{+0.00}	58.36
MPU-180X200X14.5	180	200	14.5	16.00 ^{+0.30} / _{+0.00}	180.00 ^{+0.00} / _{-0.16}	200.00 ^{+0.115} / _{+0.000}	73.03

Seal color may vary. Special order sizes are available.

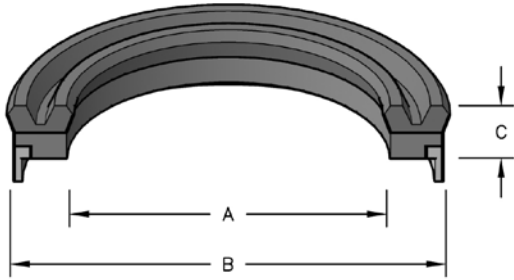
CUSTOM MANUFACTURED MPU AND MPUB PISTON SEALS

Part Number	List Price	Part Number	List Price	Part Number	List Price
MPU-12X20X5.8-E	\$ 11.07	MPU-65X45X13-E	\$ 8.52	MPU-100X80X13-E	\$ 16.84
MPU-15.88X28.58X11.6	11.07	MPU-70X50X13-E	9.28	MPU-100X90X11.5-E	17.65
MPU-30X20X9-E	4.47	MPU-70X50X16-E	9.76	MPU-110X100X8-E	18.46
MPU-30X40X6.5	4.74	MPU-70X60X8-E	10.25	MPU-120X100X14.5-E	19.27
MPU-32X22X11-E	5.01	MPU-70X62X8.5-E	10.74	MPU-125X105X13-E	20.08
MPU-35X25X9-E	5.28	MPU-75X55X14.5-E	11.71	MPU-125X105X16-E	20.89
MPU-42X32X11-E	5.82	MPU-75X65X8-E	12.19	MPUB-125X100X15.5	20.79
MPU-45X30X11-E	6.09	MPU-75X65X11-E	12.68	MPU-139.7X155.57X9.65	22.51
MPUB-45X30X11	6.10	MPU-80X70X8-E	13.27	MPU-140X120X16-E	23.32
MPUB-55X40X11	6.61	MPU-90X70X13-E	13.87	MPUB-140X115X14.5	23.12
MPU-60X50X11-E	7.17	MPU-90X70X14.5-E	14.46	MPU-150X125X14.5-E	24.94
MPU-63X45X11-E	7.44	MPUB-90X70X12.5	14.43	MPUB-310X340X18	24.67
MPU-63X48X11-E	7.71	MPU-95X85X8-E	15.65		
MPU-63X53X13-E	8.25	MPU-100X80X11-E	16.24		

Note: MPUB includes an anti-extrusion ring to offset large gaps.

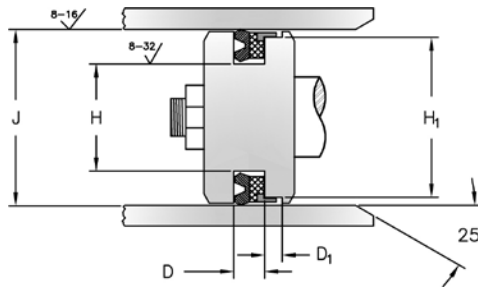
STYLE MUFN-UWO PISTON SEALS

Constructed of a rubber seal lip with a rubberized fabric heel, these seals feature a polyacetal bearing ring. These seals offer excellent sealing ability and high pressure capability. They are commonly used with our MSR retention rings.



PART NUMBERS

MUFN - 26 X 40 X 9
 Type of Seal: MUFN
 Inside Diameter: 26
 Outside Diameter: 40
 Height: 9

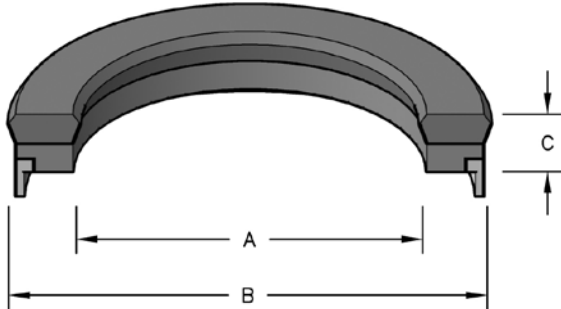


SEAL INFORMATION	
MATERIAL	NITRILE / FABRIC BASE ACETAL BEARING
TEMPERATURE RANGE	-22° TO +220° F
PRESSURE RANGE	0 TO 6,000 PSI
SPEED	1.5 FT/SEC

Part Number	A Nom. ID	B Nom. OD	C Nom. Ht	D SEAL GROOVE WIDTH	D ₁ BEARING GROOVE WIDTH	H GROOVE DIAMETER	H ₁ BEARING GROOVE DIAMETER	J BORE DIAMETER	C HEIGHT	List Price
MUFN-26X40X9UWO	26	40	9	9.00 +0.60 +0.40	6.40 +0.10 +0.00	26.00 ±0.065	35.40 ±0.08	40.00 +0.10 +0.00	9.00	\$13.41
MUFN-40X50X10UWO	40	50	10	10.00 +0.60 +0.40	6.40 +0.10 +0.00	40.00 ±0.08	46.43 ±0.08	50.00 +0.12 +0.00	10.00	9.92
MUFN-40X55X10.5UWO	40	55	10.5	10.50 +0.60 +0.40	6.40 +0.10 +0.00	40.00 ±0.08	50.37 ±0.095	55.00 +0.12 +0.00	10.50	10.17
MUFN-50X63X10UWO	50	63	10	10.00 +0.60 +0.40	6.40 +0.10 +0.00	50.00 ±0.08	58.40 ±0.095	63.00 +0.12 +0.00	10.00	14.38
MUFN-65X80X12UWO	65	80	12	12.00 +0.60 +0.40	6.40 +0.10 +0.00	65.00 ±0.095	75.40 ±0.095	80.00 +0.14 +0.00	12.00	12.79
MUFN-60X80X14UWO	60	80	14	14.00 +0.60 +0.40	6.40 +0.10 +0.00	60.00 ±0.095	74.15 ±0.095	80.00 +0.14 +0.00	14.00	15.90
MUFN-70X90X14UWO	70	90	14	14.00 +0.60 +0.40	6.40 +0.10 +0.00	70.00 ±0.095	84.10 ±0.11	90.00 +0.14 +0.00	14.00	17.49
MUFN-80X100X14UWO	80	100	14	14.00 +0.60 +0.40	6.40 +0.10 +0.00	80.00 ±0.095	94.15 ±0.11	100.00 +0.14 +0.00	14.00	16.62

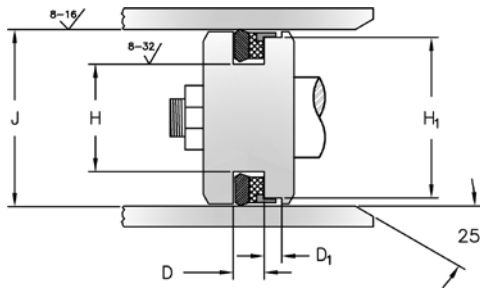
STYLE MUFN-PWO PISTON SEALS

Constructed of a rubber seal lip with a rubberized fabric heel, these seals feature a polyacetal bearing ring. These seals offer excellent sealing ability and high pressure capability. The solid lip area increases the radial interference for improved low-pressure sealing. They are commonly used with our MSR retainer rings.



PART NUMBERS

MUFN - 30 X 50 X 14
 Type of Seal Inside Diameter Outside Diameter Height



SEAL INFORMATION	
MATERIAL	NITRILE / FABRIC BASE ACETAL BEARING
TEMPERATURE RANGE	-22° TO +220° F
PRESSURE RANGE	0 TO 6,000 PSI
SPEED	1.5 FT/SEC

Part Number	A Nom. ID	B Nom. OD	C Nom. Ht	D SEAL GROOVE WIDTH	D ₁ BEARING GROOVE WIDTH	H GROOVE DIAMETER	H ₁ BEARING GROOVE DIAMETER	J BORE DIAMETER	List Price
MUFN-30X50X14PWO	30	50	14	14.00 +0.60 +0.40	6.40 +0.10 +0.00	30.00 ±0.065	44.30 ±0.08	50.00 +0.10 +0.00	\$12.13
MUFN-45X60X10.5PWO	45	60	10.5	10.50 +0.60 +0.40	6.40 +0.10 +0.00	45.00 ±0.08	54.20 ±0.095	60.00 +0.12 +0.00	8.45
MUFN-40X60X14PWO	40	60	14	14.00 +0.60 +0.40	6.40 +0.10 +0.00	40.00 ±0.08	54.20 ±0.095	60.00 +0.12 +0.00	12.99
MUFN-50X70X14PWO	50	70	14	14.00 +0.60 +0.40	6.40 +0.10 +0.00	50.00 ±0.08	64.30 ±0.095	70.00 +0.12 +0.00	13.13
MUFN-60X80X14PWO	60	80	14	14.00 +0.60 +0.40	6.40 +0.10 +0.00	60.00 ±0.095	74.20 ±0.095	80.00 +0.12 +0.00	14.90
MUFN-70X90X14PWO	70	90	14	14.00 +0.60 +0.40	6.40 +0.10 +0.00	70.00 ±0.095	84.20 ±0.11	90.00 +0.14 +0.00	18.32
MUFN-80X100X14PWO	80	100	14	14.00 +0.60 +0.40	6.40 +0.10 +0.00	80.00 ±0.095	94.20 ±0.11	100.00 +0.14 +0.00	19.80
MUFN-85X104.5X12.8PWO	85	104.5	12.8			85.00 ±0.11		104.50 +0.14 +0.00	22.01
MUFN-85X105X14PWO	85	105	14	14.00 +0.60 +0.40	6.40 +0.10 +0.00	85.00 ±0.11	99.42 ±0.11	105.00 +0.14 +0.00	21.41
MUFN-90X110X12.5PWO	90	110	12.5	12.50 +0.60 +0.40	6.40 +0.10 +0.00	90.00 ±0.11	104.10 ±0.11	110.00 +0.14 +0.00	13.37

SPECIAL ORDER STYLE MUFN-PWO PISTON SEALS

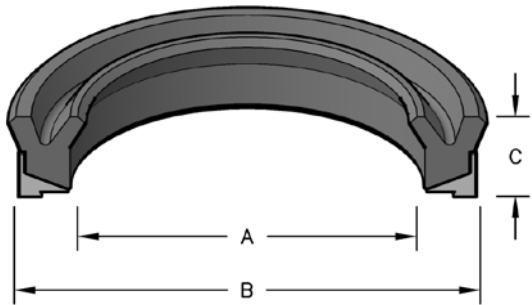
Part Number	List Price
MUFN-40X55X10.5PWO	\$ 13.43
MUFN-65X80X11PWO	17.53

Part Number	List Price
MUFN-70X85X12PWO	\$ 18.03
MUFN-85X104.5X14PWO	19.52

Part Number	List Price
MUFN-140X160X14PWO	\$ 22.69

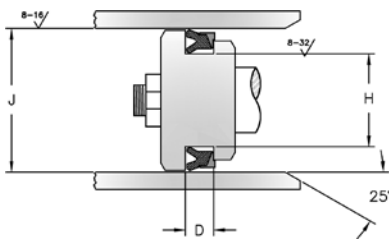
STYLE MHP26 TWO PIECE PISTON SEALS

Molded from 70A nitrile for high sealability, they employ a hard nylon anti-extrusion ring as a companion piece.



PART NUMBERS

MHP26 - 045
Type of Seal Outside Diameter



SEAL INFORMATION	
MATERIAL	70A NITRILE NYLON BACK-UP
TEMPERATURE RANGE	-20° TO +220° F
PRESSURE RANGE	0 TO 3,000 PSI
SPEED	3 FT/SEC

Part Number	A Nom. ID	B Nom. OD	C Nom. Ht	D GROOVE WIDTH	H GROOVE DIAMETER	J BORE DIAMETER	List Price
MHP26-045	27	45	12	12.50 ^{+0.20} / _{+0.00}	27.00 ^{+0.00} / _{-0.20}	45.00 ^{+0.062} / _{+0.000}	\$29.63
MHP26-050	32	50	12	12.50 ^{+0.20} / _{+0.00}	32.00 ^{+0.00} / _{-0.20}	50.00 ^{+0.062} / _{+0.000}	37.34
MHP26-055	37	55	12	12.50 ^{+0.20} / _{+0.00}	37.00 ^{+0.00} / _{-0.20}	55.00 ^{+0.074} / _{+0.000}	37.34
MHP26-060	42	60	12	12.50 ^{+0.20} / _{+0.00}	42.00 ^{+0.00} / _{-0.20}	60.00 ^{+0.074} / _{+0.000}	37.34
MHP26-065	47	65	12	12.50 ^{+0.20} / _{+0.00}	47.00 ^{+0.00} / _{-0.20}	65.00 ^{+0.074} / _{+0.000}	37.34
MHP26-070	48	70	14.5	15.00 ^{+0.20} / _{+0.00}	48.00 ^{+0.00} / _{-0.20}	70.00 ^{+0.074} / _{+0.000}	37.34
MHP26-080	58	80	14.5	15.00 ^{+0.20} / _{+0.00}	58.00 ^{+0.00} / _{-0.20}	80.00 ^{+0.074} / _{+0.000}	37.34
MHP26-090	68	90	14.5	15.00 ^{+0.20} / _{+0.00}	68.00 ^{+0.00} / _{-0.20}	90.00 ^{+0.087} / _{+0.000}	44.11
MHP26-100	78	100	14.5	15.00 ^{+0.20} / _{+0.00}	78.00 ^{+0.00} / _{-0.20}	100.00 ^{+0.087} / _{+0.000}	44.11
MHP26-110	88	110	14.5	15.00 ^{+0.20} / _{+0.00}	88.00 ^{+0.00} / _{-0.20}	110.00 ^{+0.087} / _{+0.000}	49.35
MHP26-115	93	115	14.5	15.00 ^{+0.20} / _{+0.00}	93.00 ^{+0.00} / _{-0.20}	115.00 ^{+0.087} / _{+0.000}	49.35
MHP26-120	98	120	14.5	15.00 ^{+0.20} / _{+0.00}	98.00 ^{+0.00} / _{-0.20}	120.00 ^{+0.087} / _{+0.000}	51.20
MHP26-125	103	125	14.5	15.00 ^{+0.20} / _{+0.00}	103.00 ^{+0.00} / _{-0.20}	125.00 ^{+0.10} / _{+0.00}	55.55
MHP26-130	108	130	14.5	15.00 ^{+0.20} / _{+0.00}	108.00 ^{+0.00} / _{-0.20}	130.00 ^{+0.10} / _{+0.00}	55.55
MHP26-140	118	140	14.5	15.00 ^{+0.20} / _{+0.00}	118.00 ^{+0.00} / _{-0.20}	140.00 ^{+0.10} / _{+0.00}	64.05
MHP26-150	128	150	14.5	15.00 ^{+0.20} / _{+0.00}	128.00 ^{+0.00} / _{-0.20}	150.00 ^{+0.10} / _{+0.00}	71.40
MHP26-160	138	160	14.5	15.00 ^{+0.20} / _{+0.00}	138.00 ^{+0.00} / _{-0.20}	160.00 ^{+0.10} / _{+0.00}	76.97
MHP26-170	148	170	14.5	15.00 ^{+0.20} / _{+0.00}	148.00 ^{+0.00} / _{-0.20}	170.00 ^{+0.10} / _{+0.00}	83.12
MHP26-180	158	180	14.5	15.00 ^{+0.20} / _{+0.00}	158.00 ^{+0.00} / _{-0.20}	180.00 ^{+0.10} / _{+0.00}	88.77

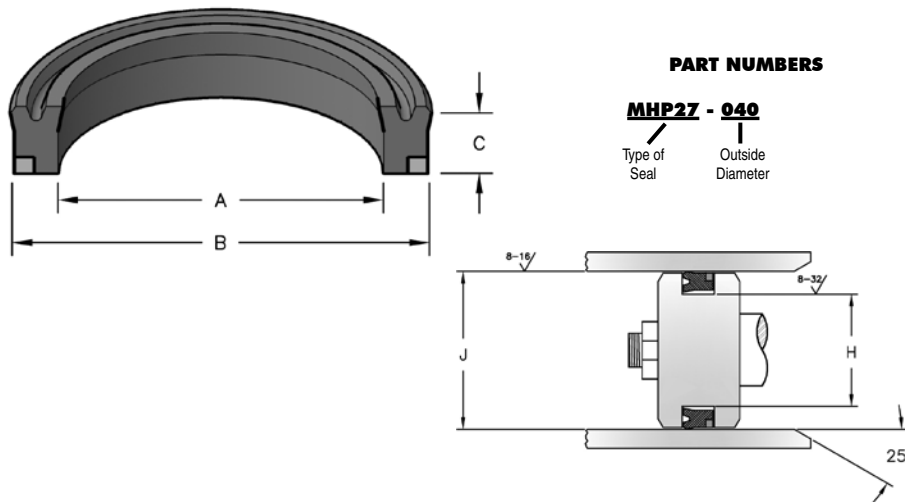
STYLE MHP26 TWO PIECE PISTON SEALS



Part Number	A Nom. ID	B Nom. OD	C Nom. Ht	D GROOVE WIDTH	H GROOVE DIAMETER	J BORE DIAMETER	List Price
MHP26-190	168	190	14.5	15.00 $+0.20$ $+0.00$	168.00 $+0.00$ -0.20	190.00 $+0.115$ $+0.000$	94.25
MHP26-200	178	200	14.5	15.00 $+0.20$ $+0.00$	178.00 $+0.00$ -0.20	200.00 $+0.115$ $+0.000$	96.37

STYLE MHP27 U-TYPE PISTON SEALS

Molded from 70A nitrile for high sealability, they employ a hard acetal anti-extrusion ring as a companion piece.



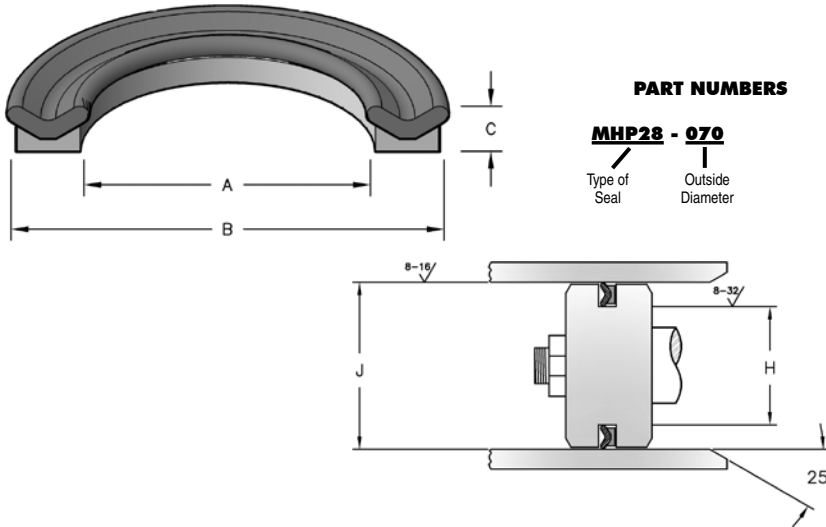
SEAL INFORMATION

MATERIAL	70A NITRILE ACETAL BACK-UP
TEMPERATURE RANGE	-20° TO +220° F
PRESSURE RANGE	0 TO 4,000 PSI
SPEED	3 FT/SEC

Part Number	A Nom. ID	B Nom. OD	C Nom. Ht	H GROOVE DIAMETER	J BORE DIAMETER	List Price
MHP27-040	25	40	12	25.00	40.00	\$8.28
MHP27-050	35	50	12	35.00	50.00	11.04
MHP27-060	35	60	15.5	35.00	60.00	20.05
MHP27-070	45	70	15.5	45.00	70.00	14.47
MHP27-090	65	90	18	65.00	90.00	16.09
MHP27-100	75	100	18	75.00	100.00	20.42

STYLE MHP28 U-TYPE PISTON SEALS

Molded from 70A nitrile for high sealability, they employ a hard nylon anti-extrusion ring as a companion piece.

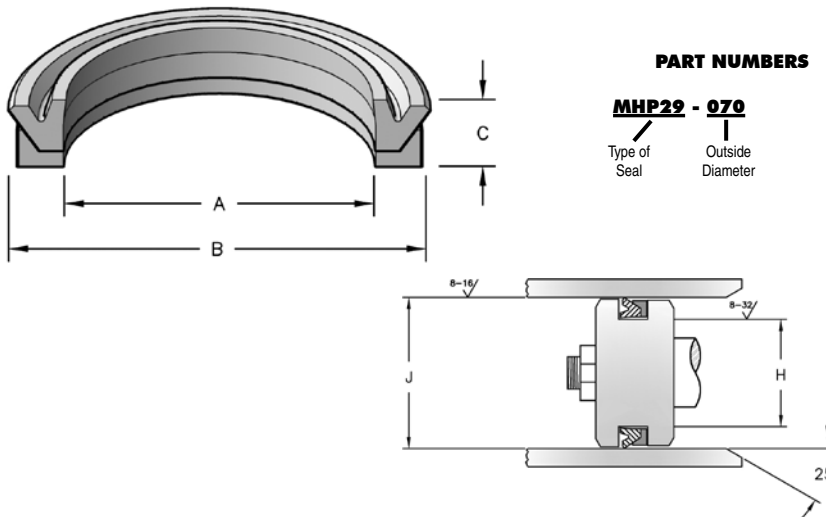


SEAL INFORMATION	
MATERIAL	70A NITRILE NYLON BACK-UP
TEMPERATURE RANGE	-20° TO +220° F
PRESSURE RANGE	0 TO 3,000 PSI
SPEED	3 FT/SEC

Part Number	A Nom. ID	B Nom. OD	C Nom. Ht	H GROOVE DIAMETER	J BORE DIAMETER	List Price
MHP28-070	40	70	12	40.00	70.00	\$49.18

STYLE MHP29 U-TYPE PISTON SEALS

Molded from urethane for resistance to extrusion and abrasion, they employ a hard nylon anti-extrusion ring.

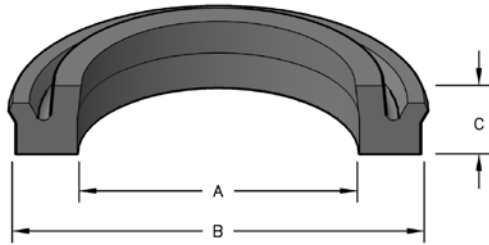


SEAL INFORMATION	
MATERIAL	URETHANE SEAL NYLON BACK-UP
TEMPERATURE RANGE	-40° TO +200° F
PRESSURE RANGE	0 TO 3,000 PSI
SPEED	3 FT/SEC

Part Number	A Nom. ID	B Nom. OD	C Nom. Ht	H GROOVE DIAMETER	J BORE DIAMETER	List Price
MHP29-070	55	70	12	55.00	70.00	\$49.18
MHP29-085	70	85	12	70.00	85.00	57.49

STYLE MUKPN U-TYPE PISTON SEALS

MUKPN is an asymmetrical single-acting pneumatic piston seal. Molded in nitrile, this seal is resistant to water and most oils while maintaining good low-pressure sealing.

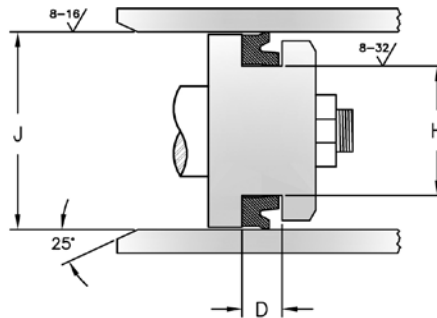


PART NUMBERS

MUKPN - 8 X 5 X 4

Type of Seal: MUKPN
Outside Diameter: 8
Inside Diameter: 5
Height: 4

SEAL INFORMATION	
MATERIAL	80 A NBR
TEMPERATURE RANGE	-22° TO +212° F
PRESSURE RANGE	0 TO 1,500
SPEED	3 FT/SEC



Part Number	A Nom. ID	B Nom. OD	C Nom. Ht	D GROOVE WIDTH	H GROOVE DIAMETER	J BORE DIAMETER	List Price
MUKPN-16X10X4	10	16	4	4.50 ^{+0.20} / _{+0.00}	10.00 ^{+0.000} / _{-0.036}	16.00 ^{+0.11} / _{+0.00}	\$3.77
MUKPN-16X8X5.5	8	16	5.5	6.00 ^{+0.20} / _{+0.00}	8.00 ^{+0.000} / _{-0.036}	16.00 ^{+0.11} / _{+0.00}	3.77
MUKPN-18X10X5.5	10	18	5.5	6.00 ^{+0.20} / _{+0.00}	10.00 ^{+0.000} / _{-0.036}	18.00 ^{+0.11} / _{+0.00}	21.19
MUKPN-20X12X5.5	12	20	5.5	6.00 ^{+0.20} / _{+0.00}	12.00 ^{+0.000} / _{-0.043}	20.00 ^{+0.13} / _{+0.00}	3.77
MUKPN-20X14X5.5	14	20	5.5	5.90 ^{+0.20} / _{-0.10}	14.00 ^{+0.000} / _{-0.043}	20.00 ^{+0.13} / _{+0.00}	4.80
MUKPN-25X15X5	15	25	5	5.50 ^{+0.20} / _{+0.00}	15.00 ^{+0.000} / _{-0.043}	25.00 ^{+0.13} / _{+0.00}	4.80
MUKPN-28X16X9	16	28	9	10.00 ^{+0.20} / _{+0.00}	16.00 ^{+0.000} / _{-0.043}	28.00 ^{+0.13} / _{+0.00}	4.80
MUKPN-30X22X5.5	22	30	5.5	6.00 ^{+0.20} / _{+0.00}	22.00 ^{+0.000} / _{-0.052}	30.00 ^{+0.13} / _{+0.00}	17.20
MUKPN-30X20X7	20	30	7	7.50 ^{+0.20} / _{+0.00}	20.00 ^{+0.000} / _{-0.052}	30.00 ^{+0.13} / _{+0.00}	6.07
MUKPN-30X15X10	15	30	10	11.00 ^{+0.20} / _{+0.00}	15.00 ^{+0.000} / _{-0.043}	30.00 ^{+0.13} / _{+0.00}	4.80
MUKPN-32X24X5.5	24	32	5.5	6.00 ^{+0.20} / _{+0.00}	24.00 ^{+0.000} / _{-0.052}	32.00 ^{+0.16} / _{+0.00}	6.07
MUKPN-32X22X7	22	32	7	7.50 ^{+0.20} / _{+0.00}	22.00 ^{+0.000} / _{-0.052}	32.00 ^{+0.16} / _{+0.00}	6.07
MUKPN-36X24X9	24	36	9	10.00 ^{+0.20} / _{+0.00}	24.00 ^{+0.000} / _{-0.052}	36.00 ^{+0.16} / _{+0.00}	6.32
MUKPN-38X26X10	26	38	10	11.00 ^{+0.20} / _{+0.00}	26.00 ^{+0.000} / _{-0.052}	38.00 ^{+0.16} / _{+0.00}	6.32

STYLE MUKPN U-TYPE PISTON SEALS

Part Number	A Nom. ID	B Nom. OD	C Nom. Ht	D GROOVE WIDTH	H GROOVE DIAMETER	J BORE DIAMETER	List Price
MUKPN-40X32X3.25	32	40	3.25	3.75 ^{+0.20} / _{+0.00}	32.00 ^{+0.000} / _{-0.062}	40.00 ^{+0.16} / _{+0.00}	5.56
MUKPN-40X28X6	28	40	6	6.50 ^{+0.20} / _{+0.00}	28.00 ^{+0.000} / _{-0.052}	40.00 ^{+0.16} / _{+0.00}	8.66
MUKPN-40X30X7	30	40	7	7.50 ^{+0.20} / _{+0.00}	30.00 ^{+0.000} / _{-0.052}	40.00 ^{+0.16} / _{+0.00}	5.56
MUKPN-40X28X9	28	40	9	10.00 ^{+0.20} / _{+0.00}	28.00 ^{+0.000} / _{-0.052}	40.00 ^{+0.16} / _{+0.00}	5.56
MUKPN-44X28X12	28	44	12	13.00 ^{+0.20} / _{+0.00}	28.00 ^{+0.000} / _{-0.052}	44.00 ^{+0.16} / _{+0.00}	5.95
MUKPN-45X33X9	33	45	9	10.00 ^{+0.20} / _{+0.00}	33.00 ^{+0.000} / _{-0.062}	45.00 ^{+0.16} / _{+0.00}	6.25
MUKPN-48X40X5.5	40	48	5.5	6.00 ^{+0.20} / _{+0.00}	40.00 ^{+0.000} / _{-0.062}	48.00 ^{+0.16} / _{+0.00}	16.35
MUKPN-50X42X3.25	42	50	3.25	3.75 ^{+0.20} / _{+0.00}	42.00 ^{+0.000} / _{-0.062}	50.00 ^{+0.16} / _{+0.00}	9.20
MUKPN-50X38X6	38	50	6	6.50 ^{+0.20} / _{+0.00}	38.00 ^{+0.000} / _{-0.062}	50.00 ^{+0.16} / _{+0.00}	6.58
MUKPN-50X40X7.2	40	50	7.2	7.70 ^{+0.20} / _{+0.00}	40.00 ^{+0.000} / _{-0.062}	50.00 ^{+0.16} / _{+0.00}	6.58
MUKPN-52X36X12	36	52	12	13.00 ^{+0.20} / _{+0.00}	36.00 ^{+0.000} / _{-0.062}	52.00 ^{+0.19} / _{+0.00}	7.19
MUKPN-54X46X8	46	54	8	8.50 ^{+0.20} / _{+0.00}	46.00 ^{+0.000} / _{-0.062}	54.00 ^{+0.19} / _{+0.00}	7.19
MUKPN-55X45X7.5	45	55	7.5	8.00 ^{+0.20} / _{+0.00}	45.00 ^{+0.000} / _{-0.062}	55.00 ^{+0.19} / _{+0.00}	7.48
MUKPN-60X50X7	50	60	7	7.50 ^{+0.20} / _{+0.00}	50.00 ^{+0.000} / _{-0.062}	60.00 ^{+0.19} / _{+0.00}	8.31
MUKPN-60X48X9	48	60	9	10.00 ^{+0.20} / _{+0.00}	48.00 ^{+0.000} / _{-0.062}	60.00 ^{+0.19} / _{+0.00}	8.02
MUKPN-60X50X10.5	50	60	10.5	11.50 ^{+0.20} / _{+0.00}	50.00 ^{+0.000} / _{-0.062}	60.00 ^{+0.19} / _{+0.00}	8.37
MUKPN-60X40X12	40	60	12	13.00 ^{+0.20} / _{+0.00}	40.00 ^{+0.000} / _{-0.062}	60.00 ^{+0.19} / _{+0.00}	7.82
MUKPN-60X44X12	44	60	12	13.00 ^{+0.20} / _{+0.00}	44.00 ^{+0.000} / _{-0.062}	60.00 ^{+0.19} / _{+0.00}	8.02
MUKPN-62X46X12	46	62	12	13.00 ^{+0.20} / _{+0.00}	46.00 ^{+0.000} / _{-0.062}	62.00 ^{+0.19} / _{+0.00}	8.50
MUKPN-65X53X10	53	65	10	11.00 ^{+0.20} / _{+0.00}	53.00 ^{+0.000} / _{-0.074}	65.00 ^{+0.19} / _{+0.00}	8.78
MUKPN-65X49X12	49	65	12	13.00 ^{+0.20} / _{+0.00}	49.00 ^{+0.000} / _{-0.062}	65.00 ^{+0.19} / _{+0.00}	8.50
MUKPN-65X55X12	55	65	12	13.00 ^{+0.20} / _{+0.00}	55.00 ^{+0.000} / _{-0.074}	65.00 ^{+0.19} / _{+0.00}	8.78
MUKPN-70X58X8.5	58	70	8.5	9.50 ^{+0.20} / _{+0.00}	58.00 ^{+0.000} / _{-0.074}	70.00 ^{+0.19} / _{+0.00}	9.53
MUKPN-70X54X12	54	70	12	13.00 ^{+0.20} / _{+0.00}	54.00 ^{+0.000} / _{-0.074}	70.00 ^{+0.19} / _{+0.00}	9.53
MUKPN-75X63X8.5	63	75	8.5	9.50 ^{+0.20} / _{+0.00}	63.00 ^{+0.000} / _{-0.074}	75.00 ^{+0.19} / _{+0.00}	10.67
MUKPN-75X59X12	59	75	12	13.00 ^{+0.20} / _{+0.00}	59.00 ^{+0.000} / _{-0.074}	75.00 ^{+0.19} / _{+0.00}	10.16
MUKPN-80X68X8.5	68	80	8.5	9.50 ^{+0.20} / _{+0.00}	68.00 ^{+0.000} / _{-0.074}	80.00 ^{+0.19} / _{+0.00}	11.06
MUKPN-80X72X12	72	80	12	13.00 ^{+0.20} / _{+0.00}	72.00 ^{+0.000} / _{-0.074}	80.00 ^{+0.19} / _{+0.00}	11.36
MUKPN-80X60X14	60	80	14	15.00 ^{+0.20} / _{+0.00}	60.00 ^{+0.000} / _{-0.074}	80.00 ^{+0.19} / _{+0.00}	11.06
MUKPN-85X73X8.2	73	85	8.2	9.20 ^{+0.20} / _{+0.00}	73.00 ^{+0.000} / _{-0.074}	85.00 ^{+0.22} / _{+0.00}	11.83

STYLE MUKPN U-TYPE PISTON SEALS



Part Number	A Nom. ID	B Nom. OD	C Nom. Ht	D GROOVE WIDTH	H GROOVE DIAMETER	J BORE DIAMETER	List Price
MUKPN-90X78X8.5	78	90	8.5	9.50 ^{+0.20} / _{+0.00}	78.00 ^{+0.000} / _{-0.074}	90.00 ^{+0.22} / _{+0.00}	13.35
MUKPN-100X84X8	84	100	8	8.50 ^{+0.20} / _{+0.00}	84.00 ^{+0.000} / _{-0.087}	100.00 ^{+0.22} / _{+0.00}	17.32
MUKPN-100X88X8.5	88	100	8.5	9.50 ^{+0.20} / _{+0.00}	88.00 ^{+0.000} / _{-0.087}	100.00 ^{+0.22} / _{+0.00}	18.42
MUKPN-100X82X13.5	82	100	13.5	14.50 ^{+0.20} / _{+0.00}	82.00 ^{+0.000} / _{-0.087}	100.00 ^{+0.22} / _{+0.00}	80.20
MUKPN-110X95X10.4	95	110	10.4	11.40 ^{+0.20} / _{+0.00}	95.00 ^{+0.000} / _{-0.087}	110.00 ^{+0.22} / _{+0.00}	19.17
MUKPN-110X90X15	90	110	15	16.00 ^{+0.20} / _{+0.00}	90.00 ^{+0.000} / _{-0.087}	110.00 ^{+0.22} / _{+0.00}	19.17
MUKPN-115X100X10	100	115	10	11.00 ^{+0.20} / _{+0.00}	100.00 ^{+0.000} / _{-0.087}	115.00 ^{+0.22} / _{+0.00}	20.28
MUKPN-115X95X15	95	115	15	16.00 ^{+0.20} / _{+0.00}	95.00 ^{+0.000} / _{-0.087}	115.00 ^{+0.22} / _{+0.00}	20.28
MUKPN-120X105X10	105	120	10	11.00 ^{+0.20} / _{+0.00}	105.00 ^{+0.000} / _{-0.087}	120.00 ^{+0.22} / _{+0.00}	21.54
MUKPN-120X106X14	106	120	14	15.00 ^{+0.20} / _{+0.00}	106.00 ^{+0.000} / _{-0.087}	120.00 ^{+0.22} / _{+0.00}	21.54
MUKPN-125X110X10	110	125	10	11.00 ^{+0.20} / _{+0.00}	110.00 ^{+0.000} / _{-0.087}	125.00 ^{+0.25} / _{+0.00}	19.53
MUKPN-125X103X16	103	125	16	17.00 ^{+0.20} / _{+0.00}	103.00 ^{+0.000} / _{-0.087}	125.00 ^{+0.25} / _{+0.00}	22.81
MUKPN-136X116X14	116	136	14	15.00 ^{+0.20} / _{+0.00}	116.00 ^{+0.000} / _{-0.087}	136.00 ^{+0.25} / _{+0.00}	26.27
MUKPN-140X125X10	125	140	10	11.00 ^{+0.20} / _{+0.00}	125.00 ^{+0.00} / _{-0.10}	140.00 ^{+0.25} / _{+0.00}	23.70
MUKPN-140X120X14	120	140	14	15.00 ^{+0.20} / _{+0.00}	120.00 ^{+0.000} / _{-0.087}	140.00 ^{+0.25} / _{+0.00}	23.70
MUKPN-150X135X10	135	150	10	11.00 ^{+0.20} / _{+0.00}	135.00 ^{+0.00} / _{-0.10}	150.00 ^{+0.25} / _{+0.00}	58.35
MUKPN-160X145X10	145	160	10	11.00 ^{+0.20} / _{+0.00}	145.00 ^{+0.00} / _{-0.10}	160.00 ^{+0.25} / _{+0.00}	28.83
MUKPN-175X145X18	145	175	18	19.00 ^{+0.20} / _{+0.00}	145.00 ^{+0.00} / _{-0.10}	175.00 ^{+0.25} / _{+0.00}	45.28
MUKPN-195X170X14	170	195	14	15.00 ^{+0.20} / _{+0.00}	170.00 ^{+0.00} / _{-0.10}	195.00 ^{+0.29} / _{+0.00}	58.54
MUKPN-200X180X8.25	180	200	8.25	9.25 ^{+0.20} / _{+0.00}	180.00 ^{+0.00} / _{-0.10}	200.00 ^{+0.29} / _{+0.00}	62.05
MUKPN-200X180X14	180	200	14	15.00 ^{+0.20} / _{+0.00}	180.00 ^{+0.00} / _{-0.10}	200.00 ^{+0.29} / _{+0.00}	65.89
MUKPN-250X230X14	230	250	14	15.00 ^{+0.20} / _{+0.00}	230.00 ^{+0.000} / _{-0.115}	250.00 ^{+0.29} / _{+0.00}	88.11

Seal color may vary. Special order sizes are available.



CUSTOM MANUFACTURED MPU AND MPUB PISTON SEALS

Part Number	List Price	Part Number	List Price	Part Number	List Price
MUKPN-8X5X4	\$ 12.18	MUKPN-54X38.1X9.5	\$ 7.38	MUKPN-125X103X14	\$ 109.38
MUKPN-12X7X2.55	1.26	MUKPN-60.2X44.45X9.52	7.38	MUKPN-127X101.5X16	6.60
MUKPN-15X7X5.5	17.52	MUKPN-61X48.3X6.35	7.38	MUKPN-127X101.6X15.9	10.50
MUKPN-20X14X2.55	1.50	MUKPN-65X55X7	7.38	MUKPN-130X110X15	61.92
MUKPN-22X16X5	1.56	MUKPN-73.02X53.97X12.7	7.38	MUKPN-140X120X16	7.38
MUKPN-26.99X17.46X6.35	1.68	MUKPN-76.2X57.15X13.97	2.52	MUKPN-145X130X10	6.60
MUKPN-28X20X5.5	21.84	MUKPN-76.2X57.15X9	7.38	MUKPN-155X130X18	82.56
MUKPN-32X20X5	7.38	MUKPN-85X75X7.5	10.56	MUKPN-160X140X10	10.56
MUKPN-38X28X8	7.38	MUKPN-90X74X8	10.56	MUKPN-160X144X16	107.34
MUKPN-40X28X7	7.38	MUKPN-100X80X15	11.40	MUKPN-180X160X14	14.34
MUKPN-40X32X5.5	7.38	MUKPN-100X90X10.5	7.38	MUKPN-200X185X15	10.56
MUKPN-44.45X28.45X9.52	7.38	MUKPN-105X85X15	66.06	MUKPN-250X226X16	7.38
MUKPN-50.8X34.93X9.52	1.74	MUKPN-121X104X9.4	10.56	MUKPN-280X250X22	7.38