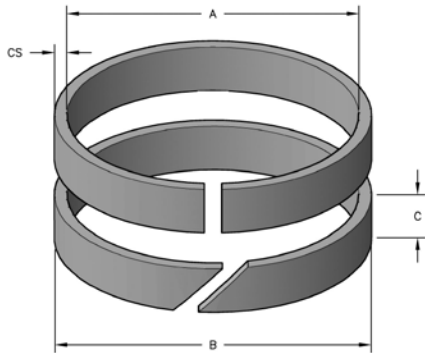


STYLE MWR WEAR RINGS

This wear ring is molded from glass reinforced nylon. This style is highly recommended because of their wear rate and non-scoring properties and their ability to ingest metal chips.



PART NUMBERS

MWR - 28 X 10 X 1.5

Type of Seal: MWR
Outside Diameter: 28
Width: 10
Cross Section: 1.5

Suffix:
SC = Scarf Cut Ring
SL = Slotted

SEAL INFORMATION

MATERIAL	NYLON
TEMPERATURE RANGE	-40° TO +275° F
SPEED	3 FT/SEC
COMPRESSIVE STRENGTH	26,000 PSI
TENSILE STRENGTH	25,000 PSI

Part Number	A Nom. ID	B Nom. OD	C Nom. Ht	Nom. Cross Section	List Price
MWR-28X10X1.5	25	28	10	1.5	\$19.29
MWR-32X4X1.5	29	32	4	1.5	16.06
MWR-35X4X1.5-SC	32	35	4	1.5	11.54
MWR-35X8X2	31	35	8	2	7.02
MWR-35X9.5X1.5	32	35	9.5	1.5	18.90
MWR-35X15X1.5	32	35	15	1.5	23.43
MWR-35X15.9X1.5	32	35	15.9	1.5	24.53
MWR-36X11.2X2.5	31	36	11.2	2.5	93.49
MWR-36X12.7X3.1	29.8	36	12.7	3.1	10.56
MWR-38X24.4X1.53-SC	34.94	38	24.4	1.53	21.91
MWR-39X16X1.5	36	39	16	1.5	25.23
MWR-40X12X2	36	40	12	2	15.75
MWR-43X15.9X1.5	40	43	15.9	1.5	24.80
MWR-45X14.5X3	39	45	14.5	3	8.67
MWR-45X20X2	41	45	20	2	16.59
MWR-48X22.5X1.5	45	48	22.5	1.5	26.59
MWR-48X25X1.5-SC	45	48	25	1.5	10.92
MWR-50X5X3	44	50	5	3	8.80
MWR-50X5.6X2.5-SC	45	50	5.6	2.5	9.23
MWR-50X9.5X2	46	50	9.5	2	9.67
MWR-50X9.5X2.5	45	50	9.5	2.5	9.96
MWR-50X10X2	46	50	10	2	8.11
MWR-50X14.5X2	46	50	14.5	2	8.82
MWR-50X14.8X2.5	45	50	14.8	2.5	17.66
MWR-50X15X3.2-SC	43.6	50	15	3.2	9.83
MWR-50X19X3.17	43.66	50	19	3.17	17.17
MWR-50X20X2.5	45	50	20	2.5	9.70
MWR-51X9.6X3	45	51	9.6	3	8.82
MWR-51X22.2X3	45	51	22.2	3	22.19
MWR-53X24.5X1.5	50	53	24.5	1.5	15.10
MWR-55X6.2X2.5-SC	50	55	6.2	2.5	8.39
MWR-55X7.9X2.5	50	55	7.9	2.5	18.95
MWR-55X10.5X3	49	55	10.5	3	8.88
MWR-55X15.5X3	49	55	15.5	3	10.17
MWR-55X20X2.5	50	55	20	2.5	14.17
MWR-56X5X3.12	49.76	56	5	3.12	10.92

STYLE MWR WEAR RINGS

Part Number	A Nom. ID	B Nom. OD	C Nom. Ht	Nom. Cross Section	List Price
MWR-56X12.7X3	50	56	12.7	3	19.60
MWR-56X25X3	50	56	25	3	24.15
MWR-58X24.7X1.53-SC	54.94	58	24.7	1.53	15.70
MWR-60X12.7X3.17	53.66	60	12.7	3.17	18.21
MWR-60X14.5X2.5	55	60	14.5	2.5	11.03
MWR-60X15X2.5-SC	55	60	15	2.5	11.28
MWR-60X19X3.17	53.66	60	19	3.17	18.73
MWR-60X20X2.5	55	60	20	2.5	11.16
MWR-62X10X2	58	62	10	2	11.14
MWR-63X5X3.1	56.8	63	5	3.1	15.99
MWR-63X5.6X2.5	58	63	5.6	2.5	8.11
MWR-63X12X2-SC	59	63	12	2	26.60
MWR-63X20X2.5	58	63	20	2.5	11.21
MWR-63X25X1.5-SC	60	63	25	1.5	25.84
MWR-65X10X2	61	65	10	2	19.90
MWR-65X10X2.5	60	65	10	2.5	6.90
MWR-65X15X2.5-SC	60	65	15	2.5	11.65
MWR-65X15.5X3	59	65	15.5	3	10.78
MWR-68X25X1.5-SC	65	68	25	1.5	13.03
MWR-69X30X3	63	69	30	3	22.96
MWR-69X31X3	63	69	31	3	23.72
MWR-70X5.5X2.5-SC	65	70	5.5	2.5	28.89
MWR-70X9.5X2.4-SC	65.2	70	9.5	2.4	13.27
MWR-70X10X2	66	70	10	2	3.76
MWR-70X10X3.12	63.76	70	10	3.12	4.57
MWR-70X14.5X3-SC	64	70	14.5	3	16.57
MWR-70X15X2.5-SC	65	70	15	2.5	25.84
MWR-70X15.5X3	64	70	15.5	3	11.36
MWR-70X19.5X3	64	70	19.5	3	14.53
MWR-70X20X2.5	65	70	20	2.5	10.03
MWR-71X9.7X2.5	66	71	9.7	2.5	9.46
MWR-75X5.4X2.5-SC	70	75	5.4	2.5	11.65
MWR-75X6.2X2.5-SC	70	75	6.2	2.5	24.13
MWR-75X9.5X3.15	68.7	75	9.5	3.15	20.41
MWR-75X10X2	71	75	10	2	16.67
MWR-75X12.7X3	69	75	12.7	3	10.38
MWR-75X15X2	71	75	15	2	18.28
MWR-75X25X3.15	68.7	75	25	3.15	17.10
MWR-75X29.8X3.2-SC	68.6	75	29.8	3.2	20.48
MWR-78X25X1.5-SC	75	78	25	1.5	19.84
MWR-80X6X3.12	73.76	80	6	3.12	20.92
MWR-80X9.35X3.17-SC	73.66	80	9.35	3.17	9.21
MWR-80X10X2	76	80	10	2	24.18
MWR-80X10X3.12	73.76	80	10	3.12	4.60
MWR-80X13X2.5	75	80	13	2.5	10.35
MWR-80X15.5X3	74	80	15.5	3	12.00
MWR-80X19.5X3	74	80	19.5	3	12.03
MWR-80X20X2.5	75	80	20	2.5	24.72
MWR-80X25X3	74	80	25	3	20.90
MWR-83X25X1.5-SC	80	83	25	1.5	20.01
MWR-85X5.35X2.4-SC	80.2	85	5.35	2.4	16.68
MWR-85X6X2.5-SC	80	85	6	2.5	28.75
MWR-85X9.5X2.5	80	85	9.5	2.5	35.89
MWR-85X10X2-SC	81	85	10	2	14.35
MWR-85X14.5X3-SC	79	85	14.5	3	19.38
MWR-85X15X2.45-SC	80.1	85	15	2.45	17.94
MWR-85X15X2.5-SC	80	85	15	2.5	17.20
MWR-85X25X2.5	80	85	25	2.5	34.12

STYLE MWR WEAR RINGS

Part Number	A Nom. ID	B Nom. OD	C Nom. Ht	Nom. Cross Section	List Price
MWR-85X25X3.17	78.66	85	25	3.17	14.79
MWR-85X29.9X3.25-SC	78.5	85	29.9	3.25	42.93
MWR-86X25X3	80	86	25	3	10.21
MWR-86X50X3	80	86	50	3	20.46
MWR-88X25X1.5-SC	85	88	25	1.5	25.84
MWR-90X9.35X3.17-SC	83.66	90	9.35	3.17	10.48
MWR-90X10X4.5-SC	81	90	10	4.5	9.93
MWR-90X12.5X3	84	90	12.5	3	11.60
MWR-90X12.5X4.5	81	90	12.5	4.5	28.13
MWR-90X15X3.15	83.7	90	15	3.15	5.56
MWR-90X25X3	84	90	25	3	16.78
MWR-91X39.5X3	85	91	39.5	3	38.73
MWR-95X5.9X4-SC	87	95	5.9	4	7.65
MWR-95X9.85X4.5-SC	86	95	9.85	4.5	26.91
MWR-95X12.5X4.5	86	95	12.5	4.5	28.49
MWR-95X15X2.5-SC	90	95	15	2.5	13.32
MWR-95X25.4X3.2-SC	88.6	95	25.4	3.2	23.92
MWR-99X13.9X3.6-SL	91.8	99	13.9	3.6	61.07
MWR-100X5.9X3-SC	94	100	5.9	3	18.60
MWR-100X10X4.5-SC	91	100	10	4.5	9.66
MWR-100X15X3.15	93.7	100	15	3.15	14.71
MWR-100X22.4X3-SC	94	100	22.4	3	26.73
MWR-100X25X3	94	100	25	3	15.98
MWR-100X28.3X3.24-SC	93.52	100	28.3	3.24	26.50
MWR-105X6X2.5-SC	100	105	6	2.5	34.46
MWR-105X6.2X4-SC	97	105	6.2	4	23.12
MWR-105X10X4.5-SC	96	105	10	4.5	21.03
MWR-105X12.5X4.5	96	105	12.5	4.5	27.56
MWR-105X15X3-SC	99	105	15	3	23.95
MWR-105X24.5X3	99	105	24.5	3	14.71
MWR-105X40X3	99	105	40	3	29.02
MWR-110X5.9X3-SC	104	110	5.9	3	19.82
MWR-110X7.6X2.5-SC	105	110	7.6	2.5	42.72
MWR-110X7.9X2.5	105	110	7.9	2.5	10.89
MWR-110X7.9X3.12	103.76	110	7.9	3.12	12.08
MWR-110X10X4.5-SC	101	110	10	4.5	22.85
MWR-110X12.5X2.75	104.5	110	12.5	2.75	25.82
MWR-110X12.5X4.5	101	110	12.5	4.5	39.46
MWR-110X15X3.1	103.8	110	15	3.1	26.27
MWR-110X22.4X3-SC	104	110	22.4	3	27.37
MWR-110X25X3	104	110	25	3	20.40
MWR-110X30X3-SC	104	110	30	3	23.79
MWR-110X35X3	104	110	35	3	24.71
MWR-115X5.8X4-SC	107	115	5.8	4	35.41
MWR-115X7.9X2.5	110	115	7.9	2.5	10.89
MWR-115X8X3.1-SC	108.8	115	8	3.1	23.62
MWR-115X9.5X2.5	110	115	9.5	2.5	11.39
MWR-115X10X4.5-SC	106	115	10	4.5	13.53
MWR-115X15X3	109	115	15	3	13.57
MWR-115X15X4.5	106	115	15	4.5	46.52
MWR-120X5.9X3-SC	114	120	5.9	3	20.52
MWR-120X7.9X2.5	115	120	7.9	2.5	11.73
MWR-120X8X2.6-SC	114.8	120	8	2.6	6.74
MWR-120X8X4-SC	112	120	8	4	28.15
MWR-120X10X4.5-SC	111	120	10	4.5	24.11
MWR-120X15X3-SC	114	120	15	3	31.88
MWR-120X15X4.5	111	120	15	4.5	49.28
MWR-120X15.45X3	114	120	15.45	3	20.53

STYLE MWR WEAR RINGS

Part Number	A Nom. ID	B Nom. OD	C Nom. Ht	Nom. Cross Section	List Price
MWR-120X20X3.12-SC	113.76	120	20	3.12	15.06
MWR-120X22.4X3-SC	114	120	22.4	3	29.99
MWR-120X30X3	114	120	30	3	24.73
MWR-120X35X3-SC	114	120	35	3	47.35
MWR-120X40X3	114	120	40	3	31.44
MWR-125X7.9X2.5	120	125	7.9	2.5	12.10
MWR-125X8.1X4-SC	117	125	8.1	4	9.08
MWR-125X10X3.1-SC	118.8	125	10	3.1	21.11
MWR-125X10X5-SC	115	125	10	5	22.29
MWR-125X15X3	119	125	15	3	32.01
MWR-125X15X5-SC	115	125	15	5	26.53
MWR-125X20X3.12	118.76	125	20	3.12	19.23
MWR-130X7.9X2.5	125	130	7.9	2.5	13.04
MWR-130X7.9X3.5-SC	123	130	7.9	3.5	19.30
MWR-130X9.4X3.17-SC	123.66	130	9.4	3.17	11.62
MWR-130X10X5-SC	120	130	10	5	20.05
MWR-130X12X3	124	130	12	3	28.69
MWR-130X15X3.5-SC	123	130	15	3.5	29.34
MWR-130X15X5	120	130	15	5	49.78
MWR-130X18.1X3.5	123	130	18.1	3.5	36.26
MWR-130X30X3.5	123	130	30	3.5	37.47
MWR-130X40X3.5-SC	123	130	40	3.5	58.30
MWR-135X7.75X4-SC	127	135	7.75	4	37.33
MWR-135X7.9X2.5	130	135	7.9	2.5	14.40
MWR-135X9.4X3.17-SC	128.66	135	9.4	3.17	29.47
MWR-135X9.85X3.85	127.3	135	9.85	3.85	33.53
MWR-135X10X5	125	135	10	5	46.22
MWR-135X14.8X3.5	128	135	14.8	3.5	16.16
MWR-135X15X5	125	135	15	5	54.04
MWR-135X18.3X3.5-SC	128	135	18.3	3.5	18.21
MWR-140X7.9X2.5	135	140	7.9	2.5	14.95
MWR-140X9.5X2.5	135	140	9.5	2.5	23.49
MWR-140X10X3.12	133.76	140	10	3.12	13.51
MWR-140X12.5X6-SC	128	140	12.5	6	23.46
MWR-140X12.7X3-SC	134	140	12.7	3	18.49
MWR-140X17.5X6-SC	128	140	17.5	6	64.12
MWR-140X20X3.12	133.76	140	20	3.12	21.06
MWR-140X20.35X3.5	133	140	20.35	3.5	51.49
MWR-140X35X3.5	133	140	35	3.5	12.39
MWR-140X45X3.5-SC	133	140	45	3.5	63.18
MWR-145X9.5X2.5	140	145	9.5	2.5	24.21
MWR-145X9.7X3.85-SC	137.3	145	9.7	3.85	46.29
MWR-145X12.2X6-SC	133	145	12.2	6	48.12
MWR-145X14.8X3.5	138	145	14.8	3.5	17.54
MWR-150X12.2X6-SC	138	150	12.2	6	67.80
MWR-150X14.8X3.5	143	150	14.8	3.5	18.88
MWR-150X17.5X6	138	150	17.5	6	44.24
MWR-150X20.9X3.5-SC	143	150	20.9	3.5	23.60
MWR-150X35X3.5	143	150	35	3.5	55.50
MWR-150X45X3.5-SC	143	150	45	3.5	66.90
MWR-160X15X6-SC	148	160	15	6	26.34
MWR-160X20X3.12	153.76	160	20	3.12	19.16
MWR-160X20X3.5	153	160	20	3.5	49.31
MWR-160X20X6	148	160	20	6	71.46
MWR-160X20.3X3.5-SC	153	160	20.3	3.5	38.80
MWR-160X40X3.5	153	160	40	3.5	60.74
MWR-160X45X3.5-SC	153	160	45	3.5	70.27
MWR-170X9.35X4-SC	162	170	9.35	4	65.17

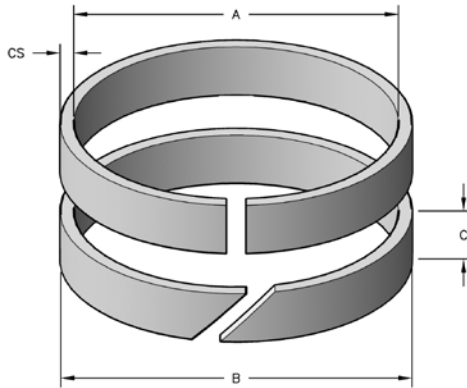
STYLE MWR WEAR RINGS

Part Number	A Nom. ID	B Nom. OD	C Nom. Ht	Nom. Cross Section	List Price
MWR-170X9.5X4-SC	162	170	9.5	4	23.10
MWR-170X20X6-SC	158	170	20	6	87.59
MWR-170X25X3.8-SC	162.4	170	25	3.8	44.43
MWR-170X50X4-SC	162	170	50	4	97.65
MWR-180X20X3	174	180	20	3	20.72
MWR-180X22.5X4	172	180	22.5	4	72.03
MWR-180X28.2X4-SC	172	180	28.2	4	53.20
MWR-180X45X4	172	180	45	4	22.21
MWR-180X55X4-SC	172	180	55	4	110.51
MWR-185X22.5X6	173	185	22.5	6	80.86
MWR-190X9.2X4-SC	182	190	9.2	4	13.84
MWR-190X9.5X4-SC	182	190	9.5	4	46.06
MWR-190X28.5X4-SC	182	190	28.5	4	55.33
MWR-190X45X4	182	190	45	4	84.17
MWR-190X55X4-SC	182	190	55	4	88.00
MWR-200X18.9X3-SC	194	200	18.9	3	29.05
MWR-200X20X3.12	193.76	200	20	3.12	32.27
MWR-200X22X4	192	200	22	4	22.84
MWR-200X22.5X4	192	200	22.5	4	41.44
MWR-200X22.5X6	188	200	22.5	6	74.99
MWR-200X45X4	192	200	45	4	46.62
MWR-200X60X3.25-SC	193.5	200	60	3.25	178.26
MWR-220X60X3.25-SC	213.5	220	60	3.25	187.64
MWR-225X25X4	217	225	25	4	84.05
MWR-225X25X6	213	225	25	6	95.05
MWR-225X50X4	217	225	50	4	84.32
MWR-250X27.5X6	238	250	27.5	6	103.41
MWR-250X55X4	242	250	55	4	108.31
MWR-260X27.5X6	248	260	27.5	6	161.59
MWR-280X60X4	272	280	60	4	149.60
MWR-300X30X6	288	300	30	6	204.92

Seal color may vary. Special order sizes are available.

STYLE MWRB WEAR RINGS

Fabricated from fine woven fabric and phenolic resins, this wear ring is strong yet light weight with an excellent wear rate.



PART NUMBERS

MWRB - 30 X 10 X 2.5
 Type of Seal / Outside Diameter / Width / Cross Section

Suffix:
SC = Scarf Cut Ring.

SEAL INFORMATION

MATERIAL	PHENOLIC
TEMPERATURE RANGE	-40° TO +250° F
SPEED	3 FT/SEC
COMPRESSIVE STRENGTH	16,000 PSI
TENSILE STRENGTH	10,600 PSI

Part Number	A Nom. ID	B Nom. OD	C Nom. Ht	Nom. Cross Section	List Price
MWRB-25X4X1.5-SC	22	25	4	1.5	\$16.88
MWRB-30X10X2.5-SC	25	30	10	2.5	6.10
MWRB-35X16X1.5-SC	32	35	16	1.5	5.34
MWRB-36X8.2X2-SC	32	36	8.2	2	3.97
MWRB-36X9.5X2-SC	32	36	9.5	2	5.36
MWRB-36X20X2	32	36	20	2	10.08
MWRB-37X10X2.5-SC	32	37	10	2.5	6.82
MWRB-39X25X2	35	39	25	2	16.03
MWRB-40X5.5X2.5-SC	35	40	5.5	2.5	2.88
MWRB-40X9.5X2.5	35	40	9.5	2.5	7.29
MWRB-40X9.7X2-SC	36	40	9.7	2	6.38
MWRB-41X9.7X2.5-SC	36	41	9.7	2.5	4.28
MWRB-44X9.7X2	40	44	9.7	2	9.75
MWRB-44X20X2	40	44	20	2	14.67
MWRB-44X40X2	40	44	40	2	19.58
MWRB-45X14X2.5-SC	40	45	14	2.5	1.82
MWRB-45X14.5X3	39	45	14.5	3	11.26
MWRB-45X15X2.5-SC	40	45	15	2.5	5.14
MWRB-45X20X2.5	40	45	20	2.5	10.58
MWRB-45X32X2.5-SC	40	45	32	2.5	14.81
MWRB-46X10X3	40	46	10	3	6.86
MWRB-46X20X3	40	46	20	3	11.26
MWRB-47X5.7X2.5-SC	42	47	5.7	2.5	11.41
MWRB-49X8X2-SC	45	49	8	2	4.94
MWRB-49X25X2	45	49	25	2	8.45
MWRB-50X5X2.5	45	50	5	2.5	4.03
MWRB-50X6X2.5-SC	45	50	6	2.5	3.97
MWRB-50X6X5-SC	40	50	6	5	4.94
MWRB-50X6.8X2.5	45	50	6.8	2.5	7.08
MWRB-50X9X2.5	45	50	9	2.5	5.33
MWRB-50X9.7X2-SC	46	50	9.7	2	4.94
MWRB-50X9.7X2.5	45	50	9.7	2.5	9.75
MWRB-50X9.7X2.5-SC	45	50	9.7	2.5	9.75
MWRB-50X10X1.9-SC	46.2	50	10	1.9	8.28
MWRB-50X10X2.5	45	50	10	2.5	8.36
MWRB-50X10.2X2-SC	46	50	10.2	2	5.86

STYLE MWRB WEAR RINGS

Part Number	A Nom. ID	B Nom. OD	C Nom. Ht	Nom. Cross Section	List Price
MWRB-50X12.6X3.3	43.4	50	12.6	3.3	8.54
MWRB-50X14.5X2	46	50	14.5	2	9.14
MWRB-50X15X2.5	45	50	15	2.5	9.28
MWRB-50X20X2.5	45	50	20	2.5	11.44
MWRB-50X28X2.5-SC	45	50	28	2.5	3.14
MWRB-50X30X2.5-SC	45	50	30	2.5	9.70
MWRB-51X22.5X3	45	51	22.5	3	16.25
MWRB-55X5.4X2.5-SC	50	55	5.4	2.5	4.36
MWRB-55X5.6X2.5-SC	50	55	5.6	2.5	3.35
MWRB-55X7.9X2.5	50	55	7.9	2.5	5.70
MWRB-55X9.5X2.5-SC	50	55	9.5	2.5	8.11
MWRB-55X9.7X2.5	50	55	9.7	2.5	6.62
MWRB-55X10X2-SC	51	55	10	2	5.42
MWRB-55X14.7X2.5-SC	50	55	14.7	2.5	10.96
MWRB-55X15X2.5	50	55	15	2.5	11.44
MWRB-55X15.5X3	49	55	15.5	3	16.25
MWRB-55X16X2.5-SC	50	55	16	2.5	2.03
MWRB-55X20X2.5	50	55	20	2.5	12.97
MWRB-55X29.5X2.5-SC	50	55	29.5	2.5	9.37
MWRB-55X30X2.5-SC	50	55	30	2.5	10.68
MWRB-55X32X2.5-SC	50	55	32	2.5	12.35
MWRB-55X35X2.5-SC	50	55	35	2.5	14.51
MWRB-56X25X3	50	56	25	3	13.12
MWRB-56X29.5X3	50	56	29.5	3	12.35
MWRB-58X30X4-SC	50	58	30	4	14.69
MWRB-60X7X2.5-SC	55	60	7	2.5	4.94
MWRB-60X9.5X2.5	55	60	9.5	2.5	7.57
MWRB-60X9.7X2.5-SC	55	60	9.7	2.5	5.93
MWRB-60X10X2-SC	56	60	10	2	5.42
MWRB-60X10X2.5	55	60	10	2.5	9.28
MWRB-60X12.3X2.85-SC	54.3	60	12.3	2.85	5.27
MWRB-60X12.7X3	54	60	12.7	3	11.06
MWRB-60X14.5X2.5-SC	55	60	14.5	2.5	10.32
MWRB-60X15X2.5-SC	55	60	15	2.5	6.91
MWRB-60X18X2.5-SC	55	60	18	2.5	5.95
MWRB-60X20X2.5	55	60	20	2.5	10.81
MWRB-62X25X3	56	62	25	3	13.60
MWRB-63X5.6X2.5-SC	58	63	5.6	2.5	4.43
MWRB-63X7X2.5-SC	58	63	7	2.5	16.37
MWRB-63X9.7X2.5	58	63	9.7	2.5	8.78
MWRB-63X15X2.5	58	63	15	2.5	17.22
MWRB-63X15.7X3-SC	57	63	15.7	3	15.70
MWRB-65X15X2.5-SC	60	65	15	2.5	7.23
MWRB-65X15.5X3	59	65	15.5	3	13.99
MWRB-65X18X2.5-SC	60	65	18	2.5	2.73
MWRB-65X19.7X2.5	60	65	19.7	2.5	12.84
MWRB-65X25X2.5	60	65	25	2.5	16.27
MWRB-66X29.7X3	60	66	29.7	3	14.56
MWRB-68X9.4X2.5-SC	63	68	9.4	2.5	9.49
MWRB-68X9.7X2.5	63	68	9.7	2.5	10.53
MWRB-68X25X2.5-SC	63	68	25	2.5	10.49
MWRB-69X31.5X3-SC	63	69	31.5	3	11.64
MWRB-69X35X2-SC	65	69	35	2	11.48
MWRB-70X5.3X2.5-SC	65	70	5.3	2.5	4.60
MWRB-70X6.8X2.5-SC	65	70	6.8	2.5	4.72
MWRB-70X9.5X2.5-SC	65	70	9.5	2.5	6.17
MWRB-70X10X2-SC	66	70	10	2	7.15
MWRB-70X10X2.5	65	70	10	2.5	5.42

STYLE MWRB WEAR RINGS

Part Number	A Nom. ID	B Nom. OD	C Nom. Ht	Nom. Cross Section	List Price
MWRB-70X12X2.5	65	70	12	2.5	7.41
MWRB-70X12.3X2.85-SC	64.3	70	12.3	2.85	5.51
MWRB-70X12.4X3	64	70	12.4	3	7.41
MWRB-70X14.8X2.5	65	70	14.8	2.5	6.33
MWRB-70X15X3-SC	64	70	15	3	11.73
MWRB-70X15.5X3	64	70	15.5	3	11.73
MWRB-70X19.5X3	64	70	19.5	3	17.60
MWRB-70X20X2.5	65	70	20	2.5	13.77
MWRB-70X30X2.5	65	70	30	2.5	17.60
MWRB-70X35X2.5-SC	65	70	35	2.5	11.51
MWRB-75X9.5X2.5-SC	70	75	9.5	2.5	6.12
MWRB-75X10X2.5	70	75	10	2.5	11.15
MWRB-75X10X3	69	75	10	3	2.56
MWRB-75X14.5X2.5	70	75	14.5	2.5	19.33
MWRB-75X18X2.5-SC	70	75	18	2.5	3.20
MWRB-75X19.6X3-SC	69	75	19.6	3	14.51
MWRB-75X20X2.5-SC	70	75	20	2.5	13.92
MWRB-75X30X2.5	70	75	30	2.5	19.31
MWRB-75X40X2.5-SC	70	75	40	2.5	17.43
MWRB-75X45X2.5-SC	70	75	45	2.5	18.25
MWRB-75X50X2.5-SC	70	75	50	2.5	19.75
MWRB-75X56X2.5-SC	70	75	56	2.5	22.22
MWRB-76X31.5X3.12-SC	69.76	76	31.5	3.12	18.12
MWRB-76X35X3-SC	70	76	35	3	13.47
MWRB-76X39.7X3	70	76	39.7	3	9.77
MWRB-80X9.7X2.5-SC	75	80	9.7	2.5	6.08
MWRB-80X10X2-SC	76	80	10	2	5.93
MWRB-80X10X2.5	75	80	10	2.5	6.17
MWRB-80X10X3-SC	74	80	10	3	3.53
MWRB-80X14.5X2.5	75	80	14.5	2.5	13.66
MWRB-80X15X2.5-SC	75	80	15	2.5	8.05
MWRB-80X15X3-SC	74	80	15	3	8.71
MWRB-80X15.5X3	74	80	15.5	3	13.60
MWRB-80X15.7X3-SC	74	80	15.7	3	5.34
MWRB-80X19.5X3	74	80	19.5	3	15.76
MWRB-80X20X2.5	75	80	20	2.5	14.96
MWRB-80X20X2.5-SC	75	80	20	2.5	21.32
MWRB-80X24.6X3-SC	74	80	24.6	3	21.32
MWRB-80X32X2.5-SC	75	80	32	2.5	22.56
MWRB-80X50X2.5-SC	75	80	50	2.5	28.11
MWRB-85X5.5X2.5	80	85	5.5	2.5	3.85
MWRB-85X9.7X2.5	80	85	9.7	2.5	11.06
MWRB-85X9.7X2.5-SC	80	85	9.7	2.5	11.06
MWRB-85X10X3	79	85	10	3	2.93
MWRB-85X12.5X3-SC	79	85	12.5	3	7.89
MWRB-85X15X4-SC	77	85	15	4	4.86
MWRB-85X18X2.5-SC	80	85	18	2.5	3.59
MWRB-85X19.7X2.5	80	85	19.7	2.5	16.27
MWRB-85X20X3-SC	79	85	20	3	9.58
MWRB-85X25X2.5-SC	80	85	25	2.5	21.32
MWRB-85X25X3-SC	79	85	25	3	21.32
MWRB-85X29.7X2.5-SC	80	85	29.7	2.5	24.35
MWRB-85X35X2.5	80	85	35	2.5	25.95
MWRB-85X40X2.5-SC	80	85	40	2.5	30.25
MWRB-85X50X2.5-SC	80	85	50	2.5	32.16
MWRB-86X40X3	80	86	40	3	31.50
MWRB-86X49.5X3	80	86	49.5	3	20.17
MWRB-90X5X2.5	85	90	5	2.5	6.19

STYLE MWRB WEAR RINGS

Part Number	A Nom. ID	B Nom. OD	C Nom. Ht	Nom. Cross Section	List Price
MWRB-90X6X4-SC	82	90	6	4	7.73
MWRB-90X8X2.5-SC	85	90	8	2.5	11.18
MWRB-90X9.7X2.5-SC	85	90	9.7	2.5	4.36
MWRB-90X10X3	84	90	10	3	13.47
MWRB-90X12.5X3	84	90	12.5	3	14.83
MWRB-90X12.5X4.5	81	90	12.5	4.5	27.50
MWRB-90X15X2-SC	86	90	15	2	12.49
MWRB-90X15X2.5-SC	85	90	15	2.5	9.70
MWRB-90X15X4-SC	82	90	15	4	11.03
MWRB-90X20X3-SC	84	90	20	3	6.66
MWRB-90X24.6X3-SC	84	90	24.6	3	29.21
MWRB-90X25X3	84	90	25	3	21.63
MWRB-90X25X3.2-SC	83.6	90	25	3.2	22.79
MWRB-95X6X2.5	90	95	6	2.5	10.66
MWRB-95X7.9X2.5	90	95	7.9	2.5	11.59
MWRB-95X9.5X2.5	90	95	9.5	2.5	12.51
MWRB-95X9.7X2.5	90	95	9.7	2.5	12.83
MWRB-95X9.7X4-SC	87	95	9.7	4	11.18
MWRB-95X10X2-SC	91	95	10	2	7.41
MWRB-95X12.4X3-SC	89	95	12.4	3	7.69
MWRB-95X12.5X3-SC	89	95	12.5	3	5.86
MWRB-95X14.8X4-SC	87	95	14.8	4	20.08
MWRB-95X14.8X2.5	90	95	15	2.5	16.25
MWRB-95X15X2.5	90	95	15	2.5	16.25
MWRB-96X25X3-SC	90	96	25	3	6.80
MWRB-96X29X3-SC	90	96	29	3	20.61
MWRB-100X5.9X4-SC	92	100	5.9	4	16.16
MWRB-100X6X2.5-SC	95	100	6	2.5	11.88
MWRB-100X7.9X2.5	95	100	7.9	2.5	11.92
MWRB-100X9.2X3	94	100	9.2	3	6.41
MWRB-100X9.5X2.5	95	100	9.5	2.5	12.98
MWRB-100X9.6X2.5	95	100	9.6	2.5	11.72
MWRB-100X10X3-SC	94	100	10	3	5.44
MWRB-100X12.5X3	94	100	12.5	3	13.92
MWRB-100X12.5X4.5-SC	91	100	12.5	4.5	12.67
MWRB-100X12.8X2.5	95	100	12.8	2.5	24.17
MWRB-100X14.7X2.5-SC	95	100	14.7	2.5	15.98
MWRB-100X14.8X2.5	95	100	14.8	2.5	15.90
MWRB-100X14.8X3	94	100	14.8	3	16.55
MWRB-100X17X3.4-SC	93.2	100	17	3.4	4.71
MWRB-100X20X3-SC	94	100	20	3	13.15
MWRB-100X25X2.5-SC	95	100	25	2.5	18.04
MWRB-100X25X3	94	100	25	3	23.17
MWRB-100X25X3-SC	94	100	25	3	23.17
MWRB-100X25X3.2-SC	93.6	100	25	3.2	25.40
MWRB-100X30X3	94	100	30	3	25.95
MWRB-100X30X3-SC	94	100	30	3	10.70
MWRB-100X40X3.12	93.76	100	40	3.12	42.28
MWRB-101X39.5X3	95	101	39.5	3	13.29
MWRB-104X25X4	96	104	25	4	19.52
MWRB-105X6X2.5	100	105	6	2.5	11.26
MWRB-105X7.9X2.5	100	105	7.9	2.5	12.67
MWRB-105X9.5X2.5	100	105	9.5	2.5	13.60
MWRB-105X9.7X3-SC	99	105	9.7	3	9.21
MWRB-105X14.8X2.5	100	105	14.8	2.5	16.36
MWRB-105X15X2.5-SC	100	105	15	2.5	17.95
MWRB-105X15X3-SC	99	105	15	3	18.06
MWRB-105X24.5X3	99	105	24.5	3	24.23

STYLE MWRB WEAR RINGS

Part Number	A Nom. ID	B Nom. OD	C Nom. Ht	Nom. Cross Section	List Price
MWRB-105X24.5X4	97	105	24.5	4	19.52
MWRB-105X60.1X2.5-SC	100	105	60.1	2.5	39.37
MWRB-108X18X4-SC	100	108	18	4	6.04
MWRB-110X5.9X4-SC	102	110	5.9	4	16.16
MWRB-110X6X2.5	105	110	6	2.5	13.92
MWRB-110X7.9X2.5	105	110	7.9	2.5	12.67
MWRB-110X9.5X2.5	105	110	9.5	2.5	13.60
MWRB-110X12.5X3	104	110	12.5	3	14.02
MWRB-110X14X3.5-SC	103	110	14	3.5	4.52
MWRB-110X14.8X2.5	105	110	14.8	2.5	16.66
MWRB-110X15X2.5-SC	105	110	15	2.5	11.18
MWRB-110X15X3-SC	104	110	15	3	18.64
MWRB-110X15X4	102	110	15	4	23.20
MWRB-110X15X5-SC	100	110	15	5	11.83
MWRB-110X25X3	104	110	25	3	25.04
MWRB-110X30X3	104	110	30	3	27.81
MWRB-113X20X4-SC	105	113	20	4	23.17
MWRB-115X7.9X2.5	110	115	7.9	2.5	12.84
MWRB-115X9.5X2.5	110	115	9.5	2.5	13.92
MWRB-115X9.7X3-SC	109	115	9.7	3	12.00
MWRB-115X10X4.5-SC	106	115	10	4.5	18.91
MWRB-115X14.8X2.5	110	115	14.8	2.5	17.29
MWRB-115X15X3-SC	109	115	15	3	18.33
MWRB-115X15X4-SC	107	115	15	4	13.00
MWRB-115X15X4.5	106	115	15	4.5	20.40
MWRB-115X24.7X4	107	115	24.7	4	20.16
MWRB-118X30X4-SC	110	118	30	4	27.39
MWRB-120X5.9X4-SC	112	120	5.9	4	17.29
MWRB-120X7.9X2.5	115	120	7.9	2.5	13.29
MWRB-120X9.5X2.5	115	120	9.5	2.5	14.83
MWRB-120X9.7X3-SC	114	120	9.7	3	9.70
MWRB-120X12.3X2.85-SC	114.3	120	12.3	2.85	8.71
MWRB-120X12.4X3	114	120	12.4	3	11.41
MWRB-120X14X3.5-SC	113	120	14	3.5	5.00
MWRB-120X14.8X2.5	115	120	14.8	2.5	17.76
MWRB-120X14.8X3	114	120	14.8	3	17.94
MWRB-120X14.8X3.5	113	120	14.8	3.5	17.94
MWRB-120X15X4.5	111	120	15	4.5	36.75
MWRB-120X15X5-SC	110	120	15	5	14.96
MWRB-120X25X2.5-SC	115	120	25	2.5	17.27
MWRB-120X25X3	114	120	25	3	24.11
MWRB-120X30X3	114	120	30	3	29.51
MWRB-120X30X3.5	113	120	30	3.5	51.83
MWRB-125X7.9X2.5	120	125	7.9	2.5	13.92
MWRB-125X9.5X2.5	120	125	9.5	2.5	14.83
MWRB-125X9.7X3-SC	119	125	9.7	3	10.21
MWRB-125X9.9X3-SC	119	125	9.9	3	14.83
MWRB-125X14.8X2.5	120	125	14.8	2.5	17.29
MWRB-125X14.8X3	119	125	14.8	3	22.73
MWRB-125X14.8X3.5	118	125	14.8	3.5	22.73
MWRB-125X15X5-SC	115	125	15	5	14.96
MWRB-125X16.8X3.5	118	125	16.8	3.5	9.19
MWRB-125X19.8X3	119	125	19.8	3	15.00
MWRB-125X20X2-SC	121	125	20	2	16.72
MWRB-125X25X2.5-SC	120	125	25	2.5	17.27
MWRB-125X48X3.2-SC	118.6	125	48	3.2	34.61
MWRB-127X9.5X3	121	127	9.5	3	13.66
MWRB-128X30X4-SC	120	128	30	4	12.85

STYLE MWRB WEAR RINGS

Part Number	A Nom. ID	B Nom. OD	C Nom. Ht	Nom. Cross Section	List Price
MWRB-128X34.8X4-SC	120	128	34.8	4	13.36
MWRB-130X7.9X2.5	125	130	7.9	2.5	16.36
MWRB-130X9.5X2.5	125	130	9.5	2.5	18.40
MWRB-130X10X3.5-SC	123	130	10	3.5	26.31
MWRB-130X14.8X2.5	125	130	14.8	2.5	20.52
MWRB-130X14.8X3.5	123	130	14.8	3.5	22.24
MWRB-130X15X2.5-SC	125	130	15	2.5	13.49
MWRB-130X15X5	120	130	15	5	23.17
MWRB-130X20X4	122	130	20	4	39.66
MWRB-130X24X3.5-SC	123	130	24	3.5	8.54
MWRB-130X25X2.5-SC	125	130	25	2.5	19.23
MWRB-130X30X3	124	130	30	3	34.76
MWRB-130X30X3.5	123	130	30	3.5	35.69
MWRB-135X7.9X2.5	130	135	7.9	2.5	15.63
MWRB-135X9.5X2.5	130	135	9.5	2.5	20.15
MWRB-135X9.8X3.5-SC	128	135	9.8	3.5	20.40
MWRB-135X14.8X2.5	130	135	14.8	2.5	21.00
MWRB-135X14.8X3.5	128	135	14.8	3.5	28.05
MWRB-135X15X5	125	135	15	5	32.85
MWRB-140X7.9X2.5	135	140	7.9	2.5	30.42
MWRB-140X9.5X2.5	135	140	9.5	2.5	17.94
MWRB-140X9.5X2.5-SC	135	140	9.5	2.5	17.94
MWRB-140X10X3.5-SC	133	140	10	3.5	18.90
MWRB-140X12X3-SC	134	140	12	3	19.47
MWRB-140X14.8X2.5	135	140	14.8	2.5	21.32
MWRB-140X14.8X3.5	133	140	14.8	3.5	21.32
MWRB-140X17.5X6	128	140	17.5	6	30.92
MWRB-140X20X2.5-SC	135	140	20	2.5	30.76
MWRB-140X20X3.5	133	140	20	3.5	28.11
MWRB-140X20X4	132	140	20	4	44.63
MWRB-140X25X3.5-SC	133	140	25	3.5	9.70
MWRB-140X30X3-SC	134	140	30	3	28.37
MWRB-140X35X3.5	133	140	35	3.5	44.96
MWRB-140X40X3.5	133	140	40	3.5	48.80
MWRB-140X50X3-SC	134	140	50	3	50.05
MWRB-140X56X3.2-SC	133.6	140	56	3.2	57.15
MWRB-145X7.9X2.5	140	145	7.9	2.5	19.35
MWRB-145X9.5X2.5	140	145	9.5	2.5	17.94
MWRB-145X9.5X3.5	138	145	9.5	3.5	19.00
MWRB-145X14.8X2.5	140	145	14.8	2.5	21.92
MWRB-145X14.8X3.5	138	145	14.8	3.5	23.64
MWRB-145X20X3.5-SC	138	145	20	3.5	25.18
MWRB-145X25X2.5-SC	140	145	25	2.5	20.56
MWRB-150X7.8X4-SC	142	150	7.8	4	17.80
MWRB-150X7.9X2.5	145	150	7.9	2.5	16.66
MWRB-150X9.5X2.5	145	150	9.5	2.5	18.08
MWRB-150X12.5X2.5-SC	145	150	12.5	2.5	18.22
MWRB-150X14.8X2.5	145	150	14.8	2.5	22.55
MWRB-150X14.8X3.5	143	150	14.8	3.5	24.42
MWRB-150X20X2.5-SC	145	150	20	2.5	17.60
MWRB-150X20X3-SC	144	150	20	3	27.81
MWRB-150X20X3.5-SC	143	150	20	3.5	30.04
MWRB-150X22X3.5-SC	143	150	22	3.5	18.47
MWRB-150X25X3.5-SC	143	150	25	3.5	10.45
MWRB-150X30X3.5-SC	143	150	30	3.5	25.82
MWRB-150X35X3.5	143	150	35	3.5	47.26
MWRB-150X40X3.5	143	150	40	3.5	47.41
MWRB-150X42X3-SC	144	150	42	3	47.41

STYLE MWRB WEAR RINGS

Part Number	A Nom. ID	B Nom. OD	C Nom. Ht	Nom. Cross Section	List Price
MWRB-150X51X3.2-SC	143.6	150	51	3.2	57.87
MWRB-155X9.5X2.5	150	155	9.5	2.5	18.23
MWRB-155X14.8X2.5	150	155	14.8	2.5	22.86
MWRB-155X85X2.5-SC	150	155	85	2.5	155.65
MWRB-158X23X5	148	158	23	5	26.03
MWRB-160X7.9X2.5	155	160	7.9	2.5	64.56
MWRB-160X9.1X4	152	160	9.1	4	11.37
MWRB-160X9.5X2.5	155	160	9.5	2.5	19.60
MWRB-160X12.5X2.5-SC	155	160	12.5	2.5	14.15
MWRB-160X14.35X2.5-SC	155	160	14.35	2.5	17.67
MWRB-160X14.8X2.5	155	160	14.8	2.5	27.90
MWRB-160X14.8X3.5	153	160	14.8	3.5	31.50
MWRB-160X19.3X3	154	160	19.3	3	25.45
MWRB-160X19.35X3-SC	154	160	19.35	3	25.45
MWRB-160X20X3-SC	154	160	20	3	31.32
MWRB-160X20X3.5	153	160	20	3.5	31.83
MWRB-160X20X6	148	160	20	6	38.01
MWRB-160X24.5X2.5	155	160	24.5	2.5	22.13
MWRB-160X25X2.5	155	160	25	2.5	34.44
MWRB-160X25X3.5-SC	153	160	25	3.5	11.16
MWRB-160X30X3.5	153	160	30	3.5	44.67
MWRB-160X35X2.5	155	160	35	2.5	34.31
MWRB-160X35X3-SC	154	160	35	3	38.95
MWRB-160X40X3.5	153	160	40	3.5	57.46
MWRB-160X50X3-SC	154	160	50	3	57.46
MWRB-165X9.5X2.5	160	165	9.5	2.5	19.80
MWRB-165X9.7X3-SC	159	165	9.7	3	14.96
MWRB-165X14.8X2.5	160	165	14.8	2.5	24.72
MWRB-165X14.8X3.5	158	165	14.8	3.5	27.19
MWRB-165X15X4	157	165	15	4	27.81
MWRB-165X20X4	157	165	20	4	33.99
MWRB-165X24.5X3.2-SC	158.6	165	24.5	3.2	56.66
MWRB-165X30X3-SC	159	165	30	3	41.16
MWRB-165X51X3.2-SC	158.6	165	51	3.2	60.09
MWRB-170X9.2X4-SC	162	170	9.2	4	9.70
MWRB-170X9.5X2.5	165	170	9.5	2.5	20.09
MWRB-170X9.5X3-SC	164	170	9.5	3	21.63
MWRB-170X14.8X2.5	165	170	14.8	2.5	25.04
MWRB-170X14.8X3.5	163	170	14.8	3.5	34.42
MWRB-170X14.8X4-SC	162	170	14.8	4	36.15
MWRB-170X20X3.5-SC	163	170	20	3.5	37.03
MWRB-170X25X4-SC	162	170	25	4	40.32
MWRB-170X30X3.5-SC	163	170	30	3.5	14.23
MWRB-170X40X3.5	163	170	40	3.5	58.71
MWRB-175X25X2.5-SC	170	175	25	2.5	24.34
MWRB-175X25X4-SC	167	175	25	4	37.19
MWRB-175X40X4	167	175	40	4	58.98
MWRB-180X7.9X2.5	175	180	7.9	2.5	22.73
MWRB-180X9.5X2.5	175	180	9.5	2.5	22.73
MWRB-180X14.7X3-SC	174	180	14.7	3	31.63
MWRB-180X14.8X2.5	175	180	14.8	2.5	27.81
MWRB-180X14.8X3.5	173	180	14.8	3.5	36.08
MWRB-180X22X4	172	180	22	4	41.85
MWRB-180X22.5X6	168	180	22.5	6	49.14
MWRB-180X25X2.5	175	180	25	2.5	39.55
MWRB-180X25X3.5-SC	173	180	25	3.5	12.54
MWRB-180X39.5X3	174	180	39.5	3	35.80
MWRB-180X40X4	172	180	40	4	66.59

STYLE MWRB WEAR RINGS

Part Number	A Nom. ID	B Nom. OD	C Nom. Ht	Nom. Cross Section	List Price
MWRB-180X45X4	172	180	45	4	72.78
MWRB-180X49.5X3	174	180	49.5	3	16.79
MWRB-180X55X4	172	180	55	4	92.83
MWRB-185X20X6-SC	173	185	20	6	32.06
MWRB-185X22.5X6	173	185	22.5	6	51.10
MWRB-190X14.8X3-SC	184	190	14.8	3	38.95
MWRB-190X15X2.5	185	190	15	2.5	28.88
MWRB-190X22.5X4-SC	182	190	22.5	4	28.94
MWRB-190X25X3.5-SC	183	190	25	3.5	13.11
MWRB-190X25X4-SC	182	190	25	4	44.41
MWRB-190X30X3.5-SC	183	190	30	3.5	15.91
MWRB-200X9X4-SC	192	200	9	4	21.86
MWRB-200X9.7X2.5-SC	195	200	9.7	2.5	15.95
MWRB-200X15X4-SC	192	200	15	4	22.37
MWRB-200X19.4X3-SC	194	200	19.4	3	23.93
MWRB-200X22X4	192	200	22	4	45.74
MWRB-200X24.7X3.2-SC	193.6	200	24.7	3.2	51.76
MWRB-200X25X2.5	195	200	25	2.5	49.59
MWRB-200X25X3.5-SC	193	200	25	3.5	55.05
MWRB-200X45X4	192	200	45	4	85.12
MWRB-205X120X2.5-SC	200	205	120	2.5	177.59
MWRB-215X19.5X3-SC	209	215	19.5	3	21.49
MWRB-225X19.4X3-SC	219	225	19.4	3	22.53
MWRB-225X25X4	217	225	25	4	31.62
MWRB-225X45X4	217	225	45	4	157.12
MWRB-225X50X4	217	225	50	4	78.27
MWRB-230X25X4.5-SC	221	230	25	4.5	18.99
MWRB-230X28X4.5-SC	221	230	28	4.5	101.53
MWRB-250X9.7X4-SC	242	250	9.7	4	65.11
MWRB-250X25X2.5	245	250	25	2.5	49.27
MWRB-250X27.5X6	238	250	27.5	6	85.28
MWRB-250X34X4.5-SC	241	250	34	4.5	26.54
MWRB-250X50X4.5-SC	241	250	50	4.5	41.30
MWRB-260X34X4.5-SC	251	260	34	4.5	27.63
MWRB-260X50X4.5-SC	251	260	50	4.5	42.97
MWRB-260X65X4.5-SC	251	260	65	4.5	55.29
MWRB-280X30X6	268	280	30	6	127.62
MWRB-300X25X2.5	295	300	25	2.5	61.67
MWRB-305X25X2.5-K-SC	300	305	25	2.5	233.79
MWRB-330X15X2.5-K-SC	325	330	15	2.5	307.91
MWRB-330X25X2.5-K-SC	325	330	25	2.5	251.90
MWRB-400X25X2.5	395	400	25	2.5	97.66

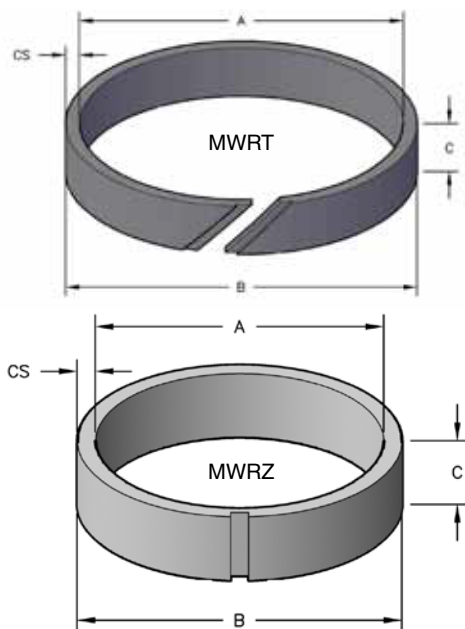
MADE TO ORDER STYLE MWRB WEAR RINGS

I

Part Number	List Price	Part Number	List Price	Part Number	List Price
MWRB-27X23X7	\$ 2.48	MWRB-79X74X14.5	\$ 5.46	MWRB-115X107X6	\$ 17.72
MWRB-37X32X9.5	2.62	MWRB-80X74X14.6	5.70	MWRB-120X115X20	10.34
MWRB-44X39X14.5	2.75	MWRB-83X78X15	5.94	MWRB-123X115X50	10.72
MWRB-44X39X9.5	2.89	MWRB-84X78X24.5	6.18	MWRB-125X115X70	11.11
MWRB-44X40X19.7	3.16	MWRB-88X82X28.4	6.42	MWRB-125X119X19.6	11.49
MWRB-48X43X14.5	3.29	MWRB-90X84X19.6	6.66	MWRB-126X118X25	11.87
MWRB-51X9.5X3	3.56	MWRB-90X85X25	6.89	MWRB-160X150X23	12.25
MWRB-55X49X12.5	3.80	MWRB-96X90X24.6	7.28	MWRB-175X165X23	12.64
MWRB-56X50X12.5	4.04	MWRB-100X90X14.5	7.66	MWRB-178X172X18.8	13.02
MWRB-63X57X19.6	4.27	MWRB-106X100X14.6	8.04	MWRB-185X180X14.6	13.40
MWRB-65X60X32	4.51	MWRB-110X100X16	8.42	MWRB-190X182X7.8	13.79
MWRB-69X63X19.6	4.99	MWRB-110X104X24.7	8.81	MWRB-200X195X14.8	17.96
MWRB-74X69X14.5	5.23	MWRB-113X108X24.8	9.57	MWRB-240X235X24.5	14.55

STYLE MWRT & MWRZ WEAR RINGS

Made from filled PTFE, these rings are suitable for light duty bearing service but are more often installed on the out-board ends of a piston to catch metal particles to protect the seal area.



PART NUMBERS
MWRT - 55 X 11.8 X 4
 Type of Seal Outside Diameter Width Cross Section

SEAL INFORMATION	
MATERIAL	FILLED PTFE
TEMPERATURE RANGE	-100° TO +550° F
SPEED	12 FT/SEC
COMPRESSIVE STRENGTH	1,700 PSI
TENSILE STRENGTH	2,200 PSI

NOTE: MWRZ-G15 Relief Groove, not split

Part Number	A Nom. ID	B Nom. OD	C Nom. Ht	Nom. Cross Section	List Price
MWRT-55X11.8X4	47	55	11.8	4	\$91.63
MWRT-65X9.5X2.5	60	65	9.5	2.5	45.36
MWRT-70X5.5X2.5-B4	65	70	5.5	2.5	68.31
MWRT-70X6X4-SC	62	70	6	4	63.12
MWRT-70X9.6X2.5	65	70	9.6	2.5	98.91
MWRT-70X12X4	62	70	12	4	73.28
MWRT-70X19.5X2.5	65	70	19.5	2.5	136.06
MWRT-75X4.2X4-SC	67	75	4.2	4	9.44
MWRT-75X6X4-SC	67	75	6	4	63.21
MWRT-75X11.8X4	67	75	11.8	4	98.46
MWRT-75X19.5X2.5	70	75	19.5	2.5	133.47
MWRT-80X4X4-SC	72	80	4	4	32.32
MWRT-80X6X4-SC	72	80	6	4	63.29
MWRT-80X11.8X4	72	80	11.8	4	113.59
MWRT-85X4X4-SC	77	85	4	4	32.32
MWRZ-85X4X4-G15	77	85	4	4	5.77
MWRT-85X6X4	77	85	6	4	49.80
MWRT-85X6X4-SC	77	85	6	4	49.80
MWRT-85X15X4	77	85	15	4	128.79
MWRT-85X19.5X2.5	80	85	19.5	2.5	123.55
MWRT-90X4.4X3.8	82.4	90	4.4	3.8	53.93
MWRT-90X6X4	82	90	6	4	36.31
MWRT-90X9.5X4	82	90	9.5	4	9.62
MWRT-90X10X2.5	85	90	10	2.5	56.36
MWRT-90X14.8X4	82	90	14.8	4	128.45
MWRT-95X6X4	87	95	6	4	37.81
MWRT-95X15X4	87	95	15	4	55.31
MWRT-100X5.9X4-B4	92	100	5.9	4	72.59
MWRZ-100X5.9X4-G15	92	100	5.9	4	8.65
MWRT-100X14.8X4	92	100	14.8	4	140.78
MWRT-105X6X4	97	105	6	4	95.77
MWRT-110X5.9X4	102	110	5.9	4	79.26
MWRT-110X5.9X4-B4	102	110	5.9	4	73.53

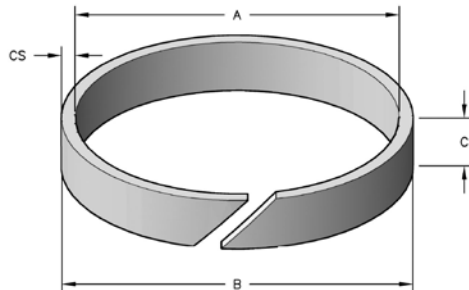
STYLE MWRT & MWRZ WEAR RINGS

Part Number	A Nom. ID	B Nom. OD	C Nom. Ht	Nom. Cross Section	List Price
MWRT-110X6X4	102	110	6	4	39.87
MWRT-110X9.7X4	102	110	9.7	4	11.43
MWRT-110X14.8X4	102	110	14.8	4	141.93
MWRT-110X15X2.5	105	110	15	2.5	99.77
MWRT-115X6X4	107	115	6	4	40.55
MWRT-115X8X4	107	115	8	4	46.49
MWRT-115X9.5X4	107	115	9.5	4	27.15
MWRT-120X6X4	112	120	6	4	36.19
MWRT-120X8X4	112	120	8	4	47.08
MWRT-120X15X2.5	115	120	15	2.5	85.32
MWRT-125X6X4	117	125	6	4	56.90
MWRT-125X8X4	117	125	8	4	49.06
MWRT-125X9.7X4	117	125	9.7	4	125.42
MWRT-125X15X2.5-B6	120	125	15	2.5	58.73
MWRT-130X4.75X4	122	130	4.75	4	83.24
MWRZ-130X6X4-G15	122	130	6	4	11.93
MWRT-130X8X4	122	130	8	4	49.93
MWRT-130X11.6X2.5	125	130	11.6	2.5	101.01
MWRT-135X6X4	127	135	6	4	53.30
MWRT-135X8X4	127	135	8	4	50.87
MWRT-135X9.7X4	127	135	9.7	4	59.59
MWRT-140X8X4	132	140	8	4	51.51
MWRT-140X9.7X4	132	140	9.7	4	61.56
MWRT-140X19.7X4	132	140	19.7	4	90.72
MWRT-145X6X4	137	145	6	4	95.90
MWRT-145X7.9X4	137	145	7.9	4	81.03
MWRT-145X7.9X4.5	136	145	7.9	4.5	103.03
MWRT-145X9.5X4	137	145	9.5	4	15.06
MWRT-145X9.7X4	137	145	9.7	4	65.19
MWRT-145X20X2.5-B6	140	145	20	2.5	83.78
MWRT-150X6X4	142	150	6	4	14.37
MWRT-150X6X4-B4	142	150	6	4	94.67
MWRT-150X8X4	142	150	8	4	56.88
MWRT-150X9.7X4	142	150	9.7	4	68.31
MWRT-160X6X4-B4	152	160	6	4	111.02
MWRT-160X9.5X4	152	160	9.5	4	46.43
MWRT-160X9.7X4	152	160	9.7	4	69.91
MWRT-165X6X4	157	165	6	4	119.15
MWRT-165X9.5X4	157	165	9.5	4	56.28
MWRT-165X9.7X2.5	160	165	9.7	2.5	58.27
MWRT-165X9.7X4	157	165	9.7	4	138.11
MWRT-170X6X4-SC	162	170	6	4	79.83
MWRT-170X8X4-B4	162	170	8	4	134.30
MWRT-170X9.7X4	162	170	9.7	4	85.62
MWRT-175X6X4	167	175	6	4	123.16
MWRT-190X8X4	182	190	8	4	76.55
MWRT-190X8.9X4-B4	182	190	8.9	4	89.04
MWRT-190X9.7X4	182	190	9.7	4	89.04
MWRT-200X8.9X4-B4	192	200	8.9	4	186.01
MWRT-200X9.7X2.5	195	200	9.7	2.5	68.00
MWRT-200X19.8X2.5	195	200	19.8	2.5	148.69
MWRT-215X9.7X4	207	215	9.7	4	94.69
MWRT-220X8.9X4-B4	212	220	8.9	4	196.78
MWRT-225X9.7X4-B4	217	225	9.7	4	184.44
MWRT-330X9.7X2.5-B6	325	330	9.7	2.5	73.14

Seal color may vary. Special order sizes are available.

STYLE MWRA SC WEAR RINGS

The style MWRA wear ring is molded from acetal and has excellent wear characteristics.



PART NUMBERS

MWRA - 29 X 9.5 X 2

Type of Seal Outside Diameter Width Cross Section


SEAL INFORMATION

MATERIAL	ACETAL
TEMPERATURE RANGE	- 40° TO +230° F
SPEED	3 FT/SEC

Part Number	A Nom. ID	B Nom. OD	C Nom. Ht	Nom. Cross Section	List Price
MWRA-29X9.5X2-SC	25	29	9.5	2	\$2.82
MWRA-45X9.5X2-SC	41	45	9.5	2	4.05
MWRA-46X12.8X3-SC	40	46	12.8	3	1.86
MWRA-50X9.7X2.5-SC	45	50	9.7	2.5	4.72
MWRA-50X15X2.5-SC	45	50	15	2.5	1.86
MWRA-60X20X2.5-SC	55	60	20	2.5	2.26
MWRA-61X9.5X3-SC	55	61	9.5	3	9.30
MWRA-65X6.2X2.5-SC	60	65	6.2	2.5	9.54
MWRA-65X9.7X2.5-SC	60	65	9.7	2.5	9.76
MWRA-70X6.2X2.5-SC	65	70	6.2	2.5	10.34
MWRA-76X26X3-SC	70	76	26	3	2.72
MWRA-80X6.2X2.5-SC	75	80	6.2	2.5	11.92
MWRA-80X9.7X2.5-SC	75	80	9.7	2.5	13.41
MWRA-86X12.8X3-SC	80	86	12.8	3	1.32
MWRA-90X12.5X3-SC	84	90	12.5	3	1.40
MWRA-95X6.2X2.5-SC	90	95	6.2	2.5	14.84
MWRA-97X9.7X2.5-SC	92	97	9.7	2.5	14.88
MWRA-100X6.2X2.5-SC	95	100	6.2	2.5	15.37
MWRA-105X15X2.5-SC	100	105	15	2.5	2.52
MWRA-115X17X5-SC	105	115	17	5	2.52
MWRA-116X17X4.825-SC	106.35	116	17	4.825	2.07
MWRA-125X17X5-SC	115	125	17	5	2.07
MWRA-146X12.5X3-SC	140	146	12.5	3	3.66
MWRA-180X19X3-SC	174	180	19	3	48.14

Seal color may vary. Special order sizes are available.

SPECIAL MADE TO ORDER WEAR RINGS

MWRP	SEAL INFORMATION	
	MATERIAL	NYLON / POM + GLASS FIBER
	TEMPERATURE RANGE	-40° TO +130° C
	SPEED	1,0 M/S

Part Number	List Price	Part Number	List Price	Part Number	List Price
MWRP-24X20X9.4	\$ 2.23	MWRP-61X55X26	\$ 14.10	MWRP-104X96X10	\$ 27.12
MWRP-25X20X5.6	2.61	MWRP-62X56X9	14.48	MWRP-105X101X15	27.50
MWRP-25X21X9.5	2.99	MWRP-63X58X9.5	15.25	MWRP-105X99X12.3	27.88
MWRP-26X20X3.8	3.37	MWRP-63X58X9.8	15.63	MWRP-106X100X19.2	28.27
MWRP-35X29.4X7.9	3.76	MWRP-63X59X6.5	16.01	MWRP-110X104X12.6	2.49
MWRP-35X30X6	4.14	MWRP-63X59X9.5	16.39	MWRP-110X105X15	29.03
MWRP-35X31X9.5	4.52	MWRP-64X60X10	16.78	MWRP-111X105X19	29.41
MWRP-36X30X9.3	4.91	MWRP-65X59X12.3	17.16	MWRP-112X106X19.2	29.80
MWRP-36X32X9.5	5.29	MWRP-65X59X12.7	17.54	MWRP-114X108X19	30.18
MWRP-37X33X7.9	5.67	MWRP-65X60X15	17.93	MWRP-115X109X12.7	30.56
MWRP-40X34.4X9.8	6.05	MWRP-65X61X10	18.31	MWRP-115X111X15	30.95
MWRP-40X34X9.7	6.44	MWRP-69X64X9.5	18.69	MWRP-116X106.35X17	2.07
MWRP-40X35X15	6.82	MWRP-70X64X12	19.08	MWRP-119X114X14.8	31.71
MWRP-40X35X6.4	7.20	MWRP-71X65X13	19.46	MWRP-121X115X12.5	32.10
MWRP-42X36X.9.5	7.59	MWRP-72X66X24.8	19.84	MWRP-125X115X17	2.07
MWRP-45X40X15	7.97	MWRP-75X69X9.7	20.22	MWRP-126X120X19.1	33.24
MWRP-45X41X9.7	8.35	MWRP-76X70X26	2.72	MWRP-130X125X12.5	33.63
MWRP-46X40X12.8	1.86	MWRP-79X74X9.5	20.99	MWRP-131X125X12.5	34.01
MWRP-46X42X9.2	9.12	MWRP-80X73X12.3	21.37	MWRP-135X129X12.54	34.78
MWRP-49X44X9.3	9.50	MWRP-80X75X8	21.76	MWRP-135X129X19.5	35.16
MWRP-50X45X15	1.86	MWRP-80X76X9.7	22.14	MWRP-135X130X15	35.54
MWRP-51X45X10	10.27	MWRP-81X75X12.3	22.52	MWRP-140X131.4X8.9	35.92
MWRP-55X49X12.7	10.65	MWRP-84X80X9.3	22.90	MWRP-140X134X12.7	36.31
MWRP-55X49X9	11.03	MWRP-85X79X12.5	23.29	MWRP-145X139X12.6	37.07
MWRP-56X50X19.8	11.80	MWRP-91X85X12.4	24.05	MWRP-149X143X12.5	37.46
MWRP-59X54X9.5	12.18	MWRP-95X89X12.3	24.44	MWRP-150X144X12.5	37.84
MWRP-60X54X9.3	12.56	MWRP-96X90X12.7	24.82	MWRP-150X144X12.6	38.22
MWRP-60X55X8	12.95	MWRP-100X91X12.5	25.97	MWRP-150X144X19	38.61
MWRP-60X56X10.3	13.33	MWRP-101X95X19	26.35	MWRP-154X148X12.5	38.99
MWRP-61X55X12.7	13.71	MWRP-101X95X25	26.73	MWRP-155X149X12.5	39.37



SPECIAL MADE TO ORDER WEAR RINGS

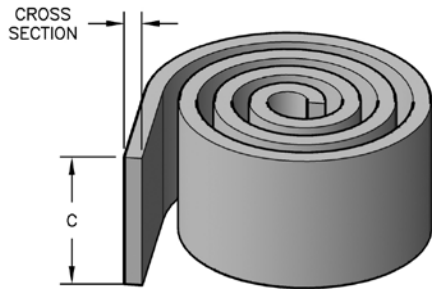
Part Number	List Price	Part Number	List Price	Part Number	List Price
MWRP-155X149X18.5	\$ 39.75	MWRP-186X180X19.2	\$ 47.79	MWRP-247X241X18.6	\$ 53.81
MWRP-160X154X19	40.76	MWRP-195X190X15	48.79	MWRP-250X244X18.8	54.81
MWRP-166X160X12.5	42.77	MWRP-200X194X19	50.80	MWRP-250X244X19	55.82
MWRP-180X174X19.2	45.78	MWRP-206X200X19	51.80	MWRP-279X273X19	56.82
MWRP-185X180X15	46.78	MWRP-220X214X19	52.81	MWRP-306X300X19.2	57.83

STYLE MGF FLEXIBLE GUIDE BEARINGS



Fabricated from woven fabric and polyester resins, this material can be cut to length to fit rod or piston grooves.

NOTE: Product is sold 'by the foot'.



PART NUMBERS

MGF - 5.6 X 2.5
 Type of Seal Width Thickness

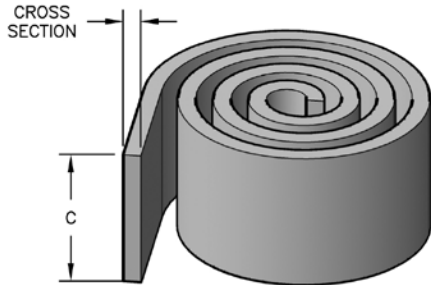
TQ16 = Sold in rolls of 16 feet each,

SEAL INFORMATION	
MATERIAL	FABRIC REINFORCED POLYESTER
TEMPERATURE RANGE	-30° TO +265° F
SPEED	3 FT/SEC
COMPRESSIVE STRENGTH	24,000 PSI
PART NUMBER	(Prefix) - (W) X (TH)

Part Number	C Nom. Ht	Nom. Cross Section	List Price
MGF-5.6X2.5	5.6	2.5	\$16.59
MGF-9.7X2.5	9.7	2.5	17.33
MGF-9.7X2.5-TQ16	9.7	2.5	87.29
MGF-9.7X4-TQ16	9.7	4	107.05
MGF-13X2.5	13	2.5	20.57
MGF-15X2.5	15	2.5	21.70
MGF-15X2.5-TQ16	15	2.5	97.18
MGF-20X2.5	20	2.5	28.84
MGF-20X2.5-TQ16	20	2.5	102.10
MGF-25X2.5	25	2.5	29.74
MGF-25X2.5-TQ16	25	2.5	121.88
MGF-25X4-TQ16	25	4	179.51

BOXED MGF STYLE FLEXIBLE GUIDE BEARINGS

Our MGF style flexible guide bearings, with a 2.5mm radial thickness, offered in a boxed quantity. The strip can be cut to any length using anvil type pruning shears. Product length is 32' per box.



SEAL INFORMATION

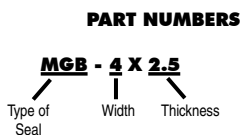
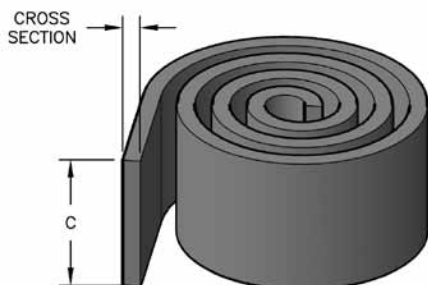
MATERIAL	FABRIC REINFORCED POLYESTER
TEMPERATURE RANGE	-30° TO +265° F
SPEED	3 FT/SEC
COMPRESSIVE STRENGTH	24,000 PSI
PART NUMBER	(Prefix) - (W) X (TH)

Part Number	C Nom. Ht	Nom. Cross Section	List Price
MGF-9.7X2.5-506-BOX	9.7	2.5	\$362.06
MGF-15X2.5-506-BOX	15	2.5	454.52
MGF-20X2.5-506-BOX	20	2.5	602.60
MGF-25X2.5-506-BOX	25	2.5	621.41



STYLE MGB FLEXIBLE GUIDE BEARINGS

Manufactured to a large variety of widths and thicknesses, this material affords low friction capabilities but with low compressive strength. The material also has the capability of ingesting metal particles and keeping them from the seal area. **NOTE: Product is sold 'by the foot'.**

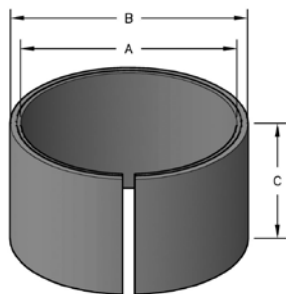


SEAL INFORMATION	
MATERIAL	60% BRONZE FILLED PTFE
TEMPERATURE RANGE	-50° TO +390° F
SPEED	12 FT/SEC
COMPRESSIVE STRENGTH	1,700 PSI
PART NUMBER	(Prefix) - (W) X (TH)

Part Number	C Nom. Ht	Nom. Cross Section	List Price
MGB-4X2.5	4	2.5	\$16.79
MGB-5.5X2.5	5.5	2.5	20.86
MGB-6X4	6	4	22.73
MGB-6.1X2.5	6.1	2.5	20.69
MGB-7.9X2.5	7.9	2.5	20.69
MGB-7.9X4	7.9	4	43.20
MGB-8X2	8	2	32.91
MGB-8.9X4	8.9	4	51.88
MGB-9.5X2.5	9.5	2.5	26.00
MGB-9.5X4	9.5	4	42.76
MGB-9.5X4-NT	9.5	4	112.28
MGB-10X2	10	2	28.32
MGB-12X4	12	4	57.08
MGB-14X3.5	14	3.5	39.92
MGB-14.5X4	14.5	4	64.71
MGB-15X2	15	2	22.98
MGB-15X2.5	15	2.5	33.68
MGB-20X2	20	2	25.12
MGB-20X2.5	20	2.5	39.11
MGB-30X2.5	30	2.5	42.76
MGB-50X2	50	2	52.27

STYLE MDU ROD BUSHINGS

With a steel body, bronze liner, and PTFE / lead overlay, these bushings possess excellent wearability and tremendous compressive strength.



PART NUMBERS

MDU - 6 X 8 X 6

Style Prefix Inside Diameter Outside Diameter Height

Suffix:
C - Copper Outside Diameter finish, electroplated

SEAL INFORMATION

MATERIAL	BRONZE LINING PTFE/LEAD OVERLAY STEEL BACKING
TEMPERATURE RANGE	-325° TO +536° F
SPEED	12 FT/SEC
COMPRESSIVE STRENGTH	44,000 PSI

Part Number	A Nom. ID	B Nom. OD	C Nom. Ht	List Price
MDU-6X8X6	6	8	6	\$1.74
MDU-16X18X15	16	18	15	2.68
MDU-20X23X15	20	23	15	3.66
MDU-20X23X25	20	23	25	4.92
MDU-20X23X40	20	23	40	6.88
MDU-22X25X20	22	25	20	4.15
MDU-25X28X15	25	28	15	4.02
MDU-25X28X20	25	28	20	4.15
MDU-25X28X25	25	28	25	5.46
MDU-25X28X30	25	28	30	6.31
MDU-25X28X40	25	28	40	7.41
MDU-30X34X12	30	34	12	6.35
MDU-30X34X25	30	34	25	7.41
MDU-30X34X40	30	34	40	10.12
MDU-32X36X40	32	36	40	9.42
MDU-35X39X25	35	39	25	8.22
MDU-35X39X50	35	39	50	14.25
MDU-38X42X32	38	42	32	10.19
MDU-40X44X20	40	44	20	3.62
MDU-40X44X25	40	44	25	9.33
MDU-40X44X30	40	44	30	10.92
MDU-40X44X40	40	44	40	10.99
MDU-40X44X50	40	44	50	15.89
MDU-45X50X20	45	50	20	9.33
MDU-45X50X30	45	50	30	12.81
MDU-45X50X30-C	45	50	30	16.80
MDU-45X50X50	45	50	50	17.84
MDU-50X55X12	50	55	12	8.22
MDU-50X55X25	50	55	25	12.96
MDU-50X55X30	50	55	30	15.54
MDU-50X55X40	50	55	40	19.20
MDU-50X55X50	50	55	50	21.38
MDU-50X55X60	50	55	60	24.96
MDU-55X60X12	55	60	12	8.51
MDU-55X60X25	55	60	25	13.72
MDU-55X60X30	55	60	30	18.35
MDU-55X60X30-C	55	60	30	18.49
MDU-55X60X35-C	55	60	35	21.21

STYLE MDU ROD BUSHINGS

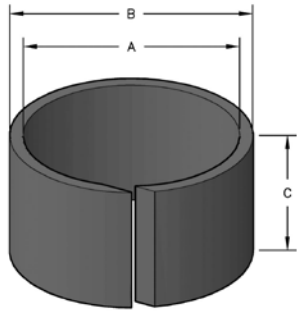
Part Number	A Nom. ID	B Nom. OD	C Nom. Ht	List Price
MDU-55X60X40	55	60	40	19.49
MDU-55X60X50	55	60	50	23.34
MDU-55X60X60	55	60	60	27.14
MDU-56X61X15	56	61	15	6.43
MDU-56X61X30	56	61	30	18.51
MDU-56X61X35	56	61	35	20.91
MDU-56X61X40	56	61	40	21.85
MDU-60X65X15	60	65	15	8.91
MDU-60X65X30	60	65	30	18.65
MDU-60X65X35	60	65	35	20.61
MDU-60X65X35-C	60	65	35	22.82
MDU-60X65X40	60	65	40	24.20
MDU-60X65X50	60	65	50	26.87
MDU-60X65X70	60	65	70	35.12
MDU-65X70X15	65	70	15	12.66
MDU-65X70X25-C	65	70	25	20.86
MDU-65X70X30	65	70	30	21.71
MDU-65X70X35	65	70	35	22.57
MDU-65X70X40	65	70	40	25.67
MDU-65X70X60	65	70	60	33.20
MDU-70X75X15	70	75	15	20.23
MDU-70X75X20	70	75	20	21.58
MDU-70X75X30	70	75	30	24.51
MDU-70X75X40	70	75	40	29.52
MDU-70X75X40-C	70	75	40	27.58
MDU-70X75X50	70	75	50	32.36
MDU-75X80X25	75	80	25	26.10
MDU-75X80X30	75	80	30	27.12
MDU-75X80X35	75	80	35	28.13
MDU-75X80X40	75	80	40	30.98
MDU-75X80X40-C	75	80	40	30.16
MDU-75X80X50	75	80	50	34.02
MDU-75X80X60	75	80	60	41.14
MDU-80X85X15	80	85	15	30.40
MDU-80X85X30	80	85	30	31.26
MDU-80X85X40	80	85	40	33.98
MDU-80X85X40-C	80	85	40	35.67
MDU-80X85X50	80	85	50	38.69
MDU-80X85X60	80	85	60	44.17
MDU-85X90X30	85	90	30	34.71
MDU-85X90X40	85	90	40	37.06
MDU-85X90X50	85	90	50	40.31
MDU-85X90X70	85	90	70	52.10
MDU-90X95X20	90	95	20	33.22
MDU-90X95X30	90	95	30	33.48
MDU-90X95X30-C	90	95	30	36.70
MDU-90X95X35	90	95	35	39.34
MDU-90X95X40	90	95	40	42.75
MDU-90X95X40-C	90	95	40	38.46
MDU-90X95X45	90	95	45	44.52
MDU-90X95X60	90	95	60	53.52
MDU-95X100X30	95	100	30	37.71
MDU-95X100X35	95	100	35	42.28
MDU-95X100X40	95	100	40	44.36
MDU-95X100X40-C	95	100	40	46.60
MDU-95X100X50	95	100	50	47.74
MDU-100X105X20	100	105	20	29.07
MDU-100X105X30	100	105	30	41.68

STYLE MDU ROD BUSHINGS

Part Number	A Nom. ID	B Nom. OD	C Nom. Ht	List Price
MDU-100X105X35	100	105	35	51.68
MDU-100X105X40	100	105	40	52.10
MDU-100X105X40-C	100	105	40	41.00
MDU-100X105X50	100	105	50	59.52
MDU-100X105X60	100	105	60	62.00
MDU-105X110X35	105	110	35	44.45
MDU-105X110X40	105	110	40	46.86
MDU-105X110X40-C	105	110	40	46.34
MDU-105X110X50	105	110	50	56.77
MDU-105X110X60	105	110	60	63.92
MDU-110X115X20	110	115	20	41.68
MDU-110X115X35	110	115	35	45.85
MDU-110X115X40	110	115	40	52.68
MDU-110X115X45	110	115	45	59.23
MDU-110X115X50	110	115	50	84.51
MDU-110X115X50-C	110	115	50	44.85
MDU-110X115X55	110	115	55	87.94
MDU-110X115X60	110	115	60	90.27
MDU-115X120X35	115	120	35	50.20
MDU-115X120X45	115	120	45	61.48
MDU-115X120X50	115	120	50	66.38
MDU-120X125X20	120	125	20	49.12
MDU-120X125X35	120	125	35	48.63
MDU-120X125X40	120	125	40	65.01
MDU-120X125X45-C	120	125	45	69.96
MDU-120X125X50	120	125	50	74.90
MDU-120X125X60	120	125	60	82.86
MDU-125X130X35	125	130	35	56.38
MDU-125X130X50	125	130	50	76.81
MDU-130X135X35	130	135	35	71.19
MDU-130X135X40	130	135	40	74.63
MDU-130X135X45	130	135	45	76.95
MDU-130X135X50	130	135	50	79.26
MDU-130X135X50-C	130	135	50	51.64
MDU-130X135X60	130	135	60	86.23
MDU-130X135X80	130	135	80	93.75
MDU-135X140X60	135	140	60	97.23
MDU-140X145X35	140	145	35	102.72
MDU-140X145X40	140	145	40	100.02
MDU-140X145X50	140	145	50	106.27
MDU-140X145X55	140	145	55	108.18
MDU-140X145X60	140	145	60	108.63
MDU-140X145X70	140	145	70	117.97
MDU-150X155X40	150	155	40	106.58
MDU-150X155X60	150	155	60	109.04
MDU-160X165X40	160	165	40	117.08
MDU-160X165X50	160	165	50	118.54
MDU-180X185X90	180	185	90	158.88

STYLE MRB ROD BUSHINGS

Molded from a sturdy nylon material, these bushings are found chiefly in Ford metric cylinders.



PART NUMBERS

MRB - 50 X 56 X 18

Type of Seal Inside Diameter Outside Diameter Height

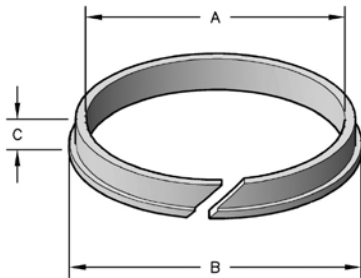
SEAL INFORMATION

MATERIAL	NYLON
TEMPERATURE RANGE	-40° TO +250° F
SPEED	3 FT/SEC
COMPRESSIVE STRENGTH	25,000 PSI
TENSILE STRENGTH	27,000 PSI

Part Number	A Nom. ID	B Nom. OD	C Nom. Ht	List Price
MRB-50X56X18	50	56	18	\$11.91
MRB-50X56X28	50	56	28	11.91
MRB-56X62X28	56	62	28	12.11
MRB-63X69X28	63	69	28	12.91

STYLE MWRA-L ROD BUSHINGS

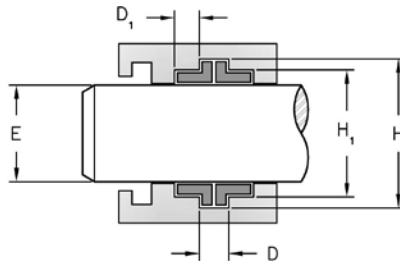
Primarily a British design, this ring can be installed one or two in a groove. Excellent wear characteristics.



PART NUMBERS

MWRA - 45 X 53 X 18-L

Type of Seal: MWRA
Inside Diameter: 45
Outside Diameter: 53
Height: 18-L



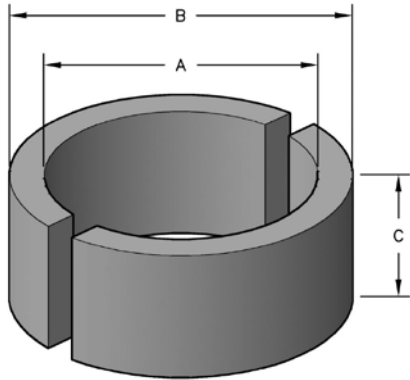
SEAL INFORMATION

MATERIAL	ACETAL
TEMPERATURE RANGE	-40° TO +230° F
SPEED	3 FT/SEC

Part Number	A Nom. ID	B Nom. OD	C Nom. Ht	D GROOVE WIDTH	D ₁ BEARING GROOVE WIDTH	E ROD DIAMETER	H GROOVE DIAMETER	H ₁ BEARING GROOVE DIAMETER	List Price
MWRA-45X53X18-L	45	53	18	8.00	14.00	45.00	53.00	50.00	\$4.67
MWRA-60X71X16-L	60	71	16	10.00	11.00	60.00	71.00	66.00	5.70
MWRA-60X68X18-L	60	68	18	8.00	14.00	60.00	68.00	65.00	5.23
MWRA-75X83X18-L	75	83	18	8.00	14.00	75.00	83.00	80.00	9.01
MWRA-78X89X16-L	78	89	16	10.00	11.00	78.00	89.00	84.00	6.68
MWRA-92X100X18-L	92	100	18	8.00	14.00	92.00	100.00	97.00	10.21
MWRA-99X110X16-L	99	110	16	10.00	11.00	99.00	110.00	105.00	10.13
MWRA-120X131X16-L	120	131	16	10.00	11.00	120.00	131.00	126.00	11.77
MWRA-141X152X16-L	141	152	16	10.00	11.00	141.00	152.00	147.00	12.75
MWRA-162X173X16-L	162	173	16	10.00	11.00	162.00	173.00	168.00	13.96
MWRA-183X194X16-L	183	194	16	10.00	11.00	183.00	194.00	189.00	16.22
MWRA-207X218X16-L	207	218	16	10.00	11.00	207.00	218.00	213.00	20.09

STYLE MBB PISTON BUSHINGS

Installed as 2 halves in a closed groove, these bushings are found in many Japanese lift trucks.



PART NUMBERS

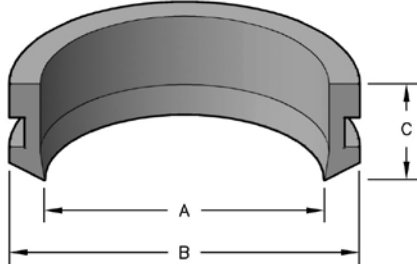
MBB - 60 X 80 X 19.6
 Type of Seal | Inside Diameter | Outside Diameter | Height

SEAL INFORMATION	
MATERIAL	660 BRONZE
SPEED	3 FT/SEC

Part Number	A Nom. ID	B Nom. OD	C Nom. Ht	List Price
MBB-60X80X19.6	60	80	19.6	\$82.23
MBB-70X90X24.6	70	90	24.6	99.42
MBB-85X105X24.6	85	105	24.6	101.45

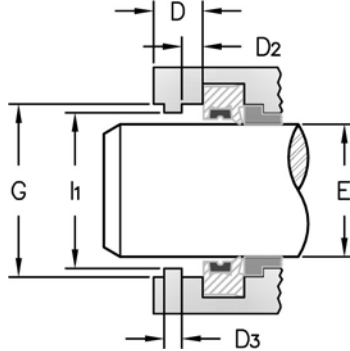
STYLE WRFAI WEAR RINGS

WRFAI split bearings are manufactured of an extremely abrasion-resistant and low-friction POM-PTFE Bronze compound. The excellent dry-running properties allow installation behind the primary rod seal. The WRFAI utilizes a scraper edge for integrated wiping function and contaminant removal. These are genuine Hunger® parts.



PART NUMBERS

WRFAI - 22 X 19
Type of Seal Inside Diameter Width



SEAL INFORMATION

MATERIAL	POM - PTFE / BZ
TEMPERATURE RANGE	-65° TO +248° F

Part Number	A Nom. ID	B Nom. OD	C Nom. Ht	D GROOVE WIDTH	E ROD DIAMETER	G HOUSING DIAMETER	I ₁ PROTRUSION DIAMETER	D ₂ BASE GROOVE WIDTH	D ₃ PROTRUSION WIDTH	List Price
WRFAI22X19	22	28	19	17.00 +0.12 +0.05	22.00 -0.040 -0.073	28.00 +0.052 +0.000	25.00 +0.052 +0.000	6.50 +0.098 +0.040	6.00 -0.030 -0.078	\$ 15.94
WRFAI25X19	25	31	19	17.00 +0.12 +0.05	25.00 -0.040 -0.073	31.00 +0.062 +0.000	28.00 +0.052 +0.000	6.50 +0.098 +0.040	6.00 -0.030 -0.078	15.94
WRFAI28X19	28	34	19	17.00 +0.12 +0.05	28.00 -0.040 -0.073	34.00 +0.062 +0.000	31.00 +0.062 +0.000	6.50 +0.098 +0.040	6.00 -0.030 -0.078	19.19
WRFAI32X19	32	38	19	17.00 +0.12 +0.05	32.00 -0.050 -0.089	38.00 +0.062 +0.000	35.00 +0.062 +0.000	6.50 +0.098 +0.040	6.00 -0.030 -0.078	23.68
WRFAI36X19	36	42	19	17.00 +0.12 +0.05	36.00 -0.050 -0.089	42.00 +0.062 +0.000	39.00 +0.062 +0.000	6.50 +0.098 +0.040	6.00 -0.030 -0.078	24.48
WRFAI40X19	40	46	19	17.00 +0.12 +0.05	40.00 -0.050 -0.089	46.00 +0.062 +0.000	43.00 +0.062 +0.000	6.50 +0.098 +0.040	6.00 -0.030 -0.078	32.34
WRFAI45X19	45	51	19	17.00 +0.12 +0.05	45.00 -0.050 -0.089	51.00 +0.074 +0.000	48.00 +0.062 +0.000	6.50 +0.098 +0.040	6.00 -0.030 -0.078	33.88
WRFAI50X19	50	56	19	17.00 +0.12 +0.05	50.00 -0.050 -0.089	56.00 +0.074 +0.000	53.00 +0.074 +0.000	6.50 +0.098 +0.040	6.00 -0.030 -0.078	32.65
WRFAI55X19	55	61	19	17.00 +0.12 +0.05	55.00 -0.060 -0.106	61.00 +0.074 +0.000	58.00 +0.074 +0.000	6.50 +0.098 +0.040	6.00 -0.030 -0.078	32.65
WRFAI56X19	56	62	19	17.00 +0.12 +0.05	56.00 -0.060 -0.106	62.00 +0.074 +0.000	59.00 +0.074 +0.000	6.50 +0.098 +0.040	6.00 -0.030 -0.078	42.62
WRFAI60X24	60	70	24	21.00 +0.149 +0.065	60.00 -0.060 -0.106	70.00 +0.074 +0.000	65.00 +0.074 +0.000	8.50 +0.098 +0.040	7.00 -0.040 -0.098	40.81
WRFAI63X24	63	73	24	21.00 +0.149 +0.065	63.00 -0.060 -0.106	73.00 +0.074 +0.000	68.00 +0.074 +0.000	8.50 +0.098 +0.040	7.00 -0.040 -0.098	39.59
WRFAI65X24	65	75	24	21.00 +0.149 +0.065	65.00 -0.060 -0.106	75.00 +0.074 +0.000	70.00 +0.074 +0.000	8.50 +0.098 +0.040	7.00 -0.040 -0.098	40.81
WRFAI70X24	70	80	24	21.00 +0.149 +0.065	70.00 -0.060 -0.106	80.00 +0.074 +0.000	75.00 +0.074 +0.000	8.50 +0.098 +0.040	7.00 -0.040 -0.098	50.21
WRFAI75X24	75	85	24	21.00 +0.149 +0.065	75.00 -0.060 -0.106	85.00 +0.087 +0.000	80.00 +0.074 +0.000	8.50 +0.098 +0.040	7.00 -0.040 -0.098	40.81
WRFAI80X24	80	90	24	21.00 +0.149 +0.065	80.00 -0.060 -0.106	90.00 +0.087 +0.000	85.00 +0.087 +0.000	8.50 +0.098 +0.040	7.00 -0.040 -0.098	42.15
WRFAI90X24	90	100	24	21.00 +0.149 +0.065	90.00 -0.072 -0.126	100.00 +0.087 +0.000	95.00 +0.087 +0.000	8.50 +0.098 +0.040	7.00 -0.040 -0.098	48.99
WRFAI100X24	100	110	24	21.00 +0.149 +0.065	100.00 -0.072 -0.126	110.00 +0.087 +0.000	105.00 +0.087 +0.000	8.50 +0.098 +0.040	7.00 -0.040 -0.098	61.32
WRFAI110X24	110	120	24	21.00 +0.149 +0.065	110.00 -0.072 -0.126	120.00 +0.087 +0.000	115.00 +0.087 +0.000	8.50 +0.098 +0.040	7.00 -0.040 -0.098	67.11
WRFAI115X24	115	125	24	21.00 +0.149 +0.065	115.00 -0.072 -0.126	125.00 +0.10 +0.00	120.00 +0.087 +0.000	8.50 +0.098 +0.040	7.00 -0.040 -0.098	75.12
WRFAI120X24	120	130	24	21.00 +0.149 +0.065	120.00 -0.072 -0.126	130.00 +0.10 +0.00	125.00 +0.10 +0.00	8.50 +0.098 +0.040	7.00 -0.040 -0.098	84.91

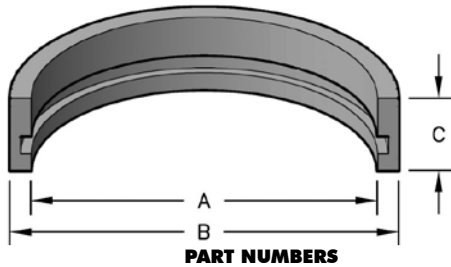
STYLE WRFAI WEAR RINGS

Part Number	A Nom. ID	B Nom. OD	C Nom. Ht	D GROOVE WIDTH	E ROD DIAMETER	G HOUSING DIAMETER	I ₁ PROTRUSION DIAMETER	D ₂ BASE GROOVE WIDTH	D ₃ PROTRUSION WIDTH	List Price
WRFAI 125X24	125	135	24	21.00 ^{+0.149} / _{+0.065}	125.00 ^{-0.085} / _{-0.148}	135.00 ^{+0.10} / _{+0.00}	130.00 ^{+0.10} / _{+0.00}	8.50 ^{+0.098} / _{+0.040}	7.00 ^{-0.040} / _{-0.098}	81.65
WRFAI 130X24	130	140	24	21.00 ^{+0.149} / _{+0.065}	130.00 ^{-0.085} / _{-0.148}	140.00 ^{+0.10} / _{+0.00}	135.00 ^{+0.10} / _{+0.00}	8.50 ^{+0.098} / _{+0.040}	7.00 ^{-0.040} / _{-0.098}	90.14
WRFAI 140X24	140	150	24	21.00 ^{+0.149} / _{+0.065}	140.00 ^{-0.085} / _{-0.148}	150.00 ^{+0.10} / _{+0.00}	145.00 ^{+0.10} / _{+0.00}	8.50 ^{+0.098} / _{+0.040}	7.00 ^{-0.040} / _{-0.098}	88.58
WRFAI 150X35	150	162	35	31.00 ^{+0.18} / _{+0.08}	150.00 ^{-0.085} / _{-0.148}	162.00 ^{+0.10} / _{+0.00}	156.00 ^{+0.10} / _{+0.00}	10.00 ^{+0.098} / _{+0.040}	15.00 ^{-0.05} / _{-0.12}	115.52
WRFAI 160X35	160	172	35	31.00 ^{+0.18} / _{+0.08}	160.00 ^{-0.085} / _{-0.148}	172.00 ^{+0.10} / _{+0.00}	166.00 ^{+0.10} / _{+0.00}	10.00 ^{+0.098} / _{+0.040}	15.00 ^{-0.05} / _{-0.12}	131.46
WRFAI 180X35	180	192	35	31.00 ^{+0.18} / _{+0.08}	180.00 ^{-0.085} / _{-0.148}	192.00 ^{+0.115} / _{+0.000}	186.00 ^{+0.115} / _{+0.000}	10.00 ^{+0.098} / _{+0.040}	15.00 ^{-0.05} / _{-0.12}	142.87
WRFAI 190X35	190	202	35	31.00 ^{+0.18} / _{+0.08}	190.00 ^{-0.100} / _{-0.172}	202.00 ^{+0.115} / _{+0.000}	196.00 ^{+0.115} / _{+0.000}	10.00 ^{+0.098} / _{+0.040}	15.00 ^{-0.05} / _{-0.12}	146.96
WRFAI 200X35	200	212	35	31.00 ^{+0.18} / _{+0.08}	200.00 ^{-0.100} / _{-0.172}	212.00 ^{+0.115} / _{+0.000}	206.00 ^{+0.115} / _{+0.000}	10.00 ^{+0.098} / _{+0.040}	15.00 ^{-0.05} / _{-0.12}	194.31
WRFAI 220X35	220	232	35	31.00 ^{+0.18} / _{+0.08}	220.00 ^{-0.100} / _{-0.172}	232.00 ^{+0.115} / _{+0.000}	226.00 ^{+0.115} / _{+0.000}	10.00 ^{+0.098} / _{+0.040}	15.00 ^{-0.05} / _{-0.12}	204.11
WRFAI 225X35	225	237	35	31.00 ^{+0.18} / _{+0.08}	225.00 ^{-0.100} / _{-0.172}	237.00 ^{+0.115} / _{+0.000}	231.00 ^{+0.115} / _{+0.000}	10.00 ^{+0.098} / _{+0.040}	15.00 ^{-0.05} / _{-0.12}	247.38
WRFAI 240X35	240	252	35	31.00 ^{+0.18} / _{+0.08}	240.00 ^{-0.100} / _{-0.172}	252.00 ^{+0.13} / _{+0.00}	246.00 ^{+0.115} / _{+0.000}	10.00 ^{+0.098} / _{+0.040}	15.00 ^{-0.05} / _{-0.12}	273.51
WRFAI 250X35	250	262	35	31.00 ^{+0.18} / _{+0.08}	250.00 ^{-0.100} / _{-0.172}	262.00 ^{+0.13} / _{+0.00}	256.00 ^{+0.13} / _{+0.00}	10.00 ^{+0.098} / _{+0.040}	15.00 ^{-0.05} / _{-0.12}	285.75
WRFAI 260X35	260	272	35	31.00 ^{+0.18} / _{+0.08}	260.00 ^{-0.110} / _{-0.191}	272.00 ^{+0.13} / _{+0.00}	266.00 ^{+0.13} / _{+0.00}	10.00 ^{+0.098} / _{+0.040}	15.00 ^{-0.05} / _{-0.12}	316.36
WRFAI 270X35	270	282	35	31.00 ^{+0.18} / _{+0.08}	270.00 ^{-0.110} / _{-0.191}	282.00 ^{+0.13} / _{+0.00}	276.00 ^{+0.13} / _{+0.00}	10.00 ^{+0.098} / _{+0.040}	15.00 ^{-0.05} / _{-0.12}	326.57
WRFAI 290X35	290	302	35	31.00 ^{+0.18} / _{+0.08}	290.00 ^{-0.110} / _{-0.191}	302.00 ^{+0.13} / _{+0.00}	296.00 ^{+0.13} / _{+0.00}	10.00 ^{+0.098} / _{+0.040}	15.00 ^{-0.05} / _{-0.12}	408.21

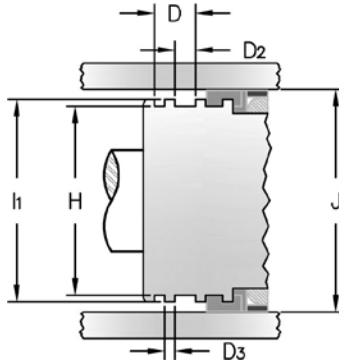
Seal color may vary. Special order sizes are available.

STYLE WRFA WEAR RINGS

WRFA bearings are manufactured of an extremely abrasion-resistant and low-friction POM-PTFE Bronze compound. Rings are split for easy installation and multiple rings may be arranged adjacent to each other with joints staggered. These are genuine Hunger® parts.



WRFA - 40 X 12
Type of Seal Outside Diameter Width



SEAL INFORMATION

MATERIAL	POM - PTFE / BZ
TEMPERATURE RANGE	-65 TO +248° F
SPEED	12 FT/SEC

Part Number	A Nom. ID	B Nom. OD	C Nom. Ht	D GROOVE WIDTH	H GROOVE DIAMETER	l ₁ PROTRUSION DIAMETER	J BORE DIAMETER	D ₂ BASE GROOVE WIDTH	D ₃ PROTRUSION WIDTH	List Price
WRFA 40X12	32	40	12	12.00 +0.12 +0.05	32.00 -0.025 -0.064	36.00 -0.025 -0.064	40.00 +0.039 +0.000	4.70 +0.078 +0.030	3.50 -0.030 -0.078	\$27.02
WRFA 50X12	42	50	12	12.00 +0.12 +0.05	42.00 -0.025 -0.064	46.00 -0.025 -0.064	50.00 +0.039 +0.000	6.20 +0.098 +0.040	3.00 -0.02 -0.06	32.09
WRFA 60X8.5		60	8.5	8.50 +0.098 +0.040			60.00 +0.046 +0.000			46.87
WRFA 60X12	52	60	12	12.00 +0.12 +0.05	52.00 -0.030 -0.076	56.00 -0.030 -0.076	60.00 +0.046 +0.000	6.20 +0.098 +0.040	3.00 -0.02 -0.06	38.85
WRFA 63X8.5		63	8.5	8.50 +0.098 +0.040			63.00 +0.046 +0.000			46.87
WRFA 63X12	55	63	12	12.00 +0.12 +0.05	55.00 -0.030 -0.076	59.00 -0.030 -0.076	63.00 +0.046 +0.000	6.20 +0.098 +0.040	3.00 -0.02 -0.06	41.37
WRFA 70X8.5		70	8.5	8.50 +0.098 +0.040			70.00 +0.046 +0.000			48.14
WRFA 70X12	62	70	12	12.00 +0.12 +0.05	62.00 -0.030 -0.076	66.00 -0.030 -0.076	70.00 +0.046 +0.000	6.20 +0.098 +0.040	3.00 -0.02 -0.06	43.43
WRFA 75X12	67	75	12	12.00 +0.12 +0.05	67.00 -0.030 -0.076	71.00 -0.030 -0.076	75.00 +0.046 +0.000	6.20 +0.098 +0.040	3.00 -0.02 -0.06	43.91
WRFA 80X10.5	72	80	10.6	10.60 +0.12 +0.05	72.00 -0.030 -0.076	76.00 -0.030 -0.076	80.00 +0.046 +0.000	3.80 +0.078 +0.030	3.00 -0.02 -0.06	58.27
WRFA 80X14	72	80	14	14.00 +0.12 +0.05	72.00 -0.030 -0.076	76.00 -0.030 -0.076	80.00 +0.046 +0.000	7.20 +0.098 +0.040	3.00 -0.02 -0.06	45.61
WRFA 90X10.5	82	90	10.6	10.60 +0.12 +0.05	82.00 -0.036 -0.090	86.00 -0.036 -0.090	90.00 +0.054 +0.000	3.80 +0.078 +0.030	3.00 -0.02 -0.06	58.27
WRFA 90X14	82	90	14	14.00 +0.12 +0.05	82.00 -0.036 -0.090	86.00 -0.036 -0.090	90.00 +0.054 +0.000	7.20 +0.098 +0.040	3.00 -0.02 -0.06	57.43
WRFA 100X10.6	92	100	10.6	10.60 +0.12 +0.05	92.00 -0.036 -0.090	96.00 -0.036 -0.090	100.00 +0.054 +0.000	3.80 +0.078 +0.030	3.00 -0.02 -0.06	58.27
WRFA 100X14	92	100	14	14.00 +0.12 +0.05	92.00 -0.036 -0.090	96.00 -0.036 -0.090	100.00 +0.054 +0.000	7.20 +0.098 +0.040	3.00 -0.02 -0.06	68.83
WRFA 105X14	97	105	14	14.00 +0.12 +0.05	97.00 -0.036 -0.090	101.00 -0.036 -0.090	105.00 +0.054 +0.000	7.20 +0.098 +0.040	3.00 -0.02 -0.06	66.72
WRFA 110X10.5	102	110	10.6	10.60 +0.12 +0.05	102.00 -0.036 -0.090	106.00 -0.036 -0.090	110.00 +0.054 +0.000	3.80 +0.078 +0.030	3.00 -0.02 -0.06	58.27
WRFA 110X14	102	110	14	14.00 +0.12 +0.05	102.00 -0.036 -0.090	106.00 -0.036 -0.090	110.00 +0.054 +0.000	7.20 +0.098 +0.040	3.00 -0.02 -0.06	68.83
WRFA 115X14	107	115	14	14.00 +0.12 +0.05	107.00 -0.036 -0.090	111.00 -0.036 -0.090	115.00 +0.054 +0.000	7.20 +0.098 +0.040	3.00 -0.02 -0.06	71.97
WRFA 120X10.5	112	120	10.6	10.60 +0.12 +0.05	112.00 -0.036 -0.090	116.00 -0.036 -0.090	120.00 +0.054 +0.000	3.80 +0.078 +0.030	3.00 -0.02 -0.06	59.11
WRFA 120X14	112	120	14	14.00 +0.12 +0.05	112.00 -0.036 -0.090	116.00 -0.036 -0.090	120.00 +0.054 +0.000	7.20 +0.098 +0.040	3.00 -0.02 -0.06	73.48
WRFA 125X12.5	115	125	12.6	12.60 +0.12 +0.05	115.00 -0.036 -0.090	121.00 -0.043 -0.106	125.00 +0.063 +0.000	4.30 +0.078 +0.030	4.00 -0.030 -0.078	60.80

STYLE WRFA WEAR RINGS

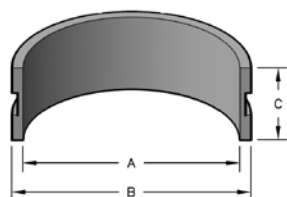
Part Number	A Nom. ID	B Nom. OD	C Nom. Ht	D GROOVE WIDTH	H GROOVE DIAMETER	I ₁ PROTRUSION DIAMETER	J BORE DIAMETER	D ₂ BASE GROOVE WIDTH	D ₃ PROTRUSION WIDTH	List Price
WRFA 125X17.5	115	125	17.5	17.50 +0.12 +0.05	115.00 -0.036 -0.090	121.00 -0.043 -0.106	125.00 +0.063 +0.000	9.20 +0.098 +0.040	4.00 -0.030 -0.078	72.64
WRFA 130X12.6	120	130	12.6	12.60 +0.12 +0.05	120.00 -0.036 -0.090	126.00 -0.043 -0.106	130.00 +0.063 +0.000	4.30 +0.078 +0.030	4.00 -0.030 -0.078	62.49
WRFA 130X17.5	120	130	17.5	17.50 +0.12 +0.05	120.00 -0.036 -0.090	126.00 -0.043 -0.106	130.00 +0.063 +0.000	9.20 +0.098 +0.040	4.00 -0.030 -0.078	84.46
WRFA 140X12.6	130	140	12.6	12.60 +0.12 +0.05	130.00 -0.043 -0.106	136.00 -0.043 -0.106	140.00 +0.063 +0.000	4.30 +0.078 +0.030	4.00 -0.030 -0.078	64.20
WRFA 140X17.5	130	140	17.5	17.50 +0.12 +0.05	130.00 -0.043 -0.106	136.00 -0.043 -0.106	140.00 +0.063 +0.000	9.20 +0.098 +0.040	4.00 -0.030 -0.078	89.10
WRFA 155X17.5	145	155	17.5	17.50 +0.12 +0.05	145.00 -0.043 -0.106	151.00 -0.043 -0.106	155.00 +0.063 +0.000	9.20 +0.098 +0.040	4.00 -0.030 -0.078	109.80
WRFA 160X12.6	150	160	12.6	12.60 +0.12 +0.05	150.00 -0.043 -0.106	156.00 -0.043 -0.106	160.00 +0.063 +0.000	4.30 +0.078 +0.030	4.00 -0.030 -0.078	67.58
WRFA 160X17.5	150	160	17.5	17.50 +0.12 +0.05	150.00 -0.043 -0.106	156.00 -0.043 -0.106	160.00 +0.063 +0.000	9.20 +0.098 +0.040	4.00 -0.030 -0.078	138.33
WRFA 165X20	155	165	20	20.00 +0.149 +0.065	155.00 -0.043 -0.106	161.00 -0.043 -0.106	165.00 +0.063 +0.000	9.20 +0.098 +0.040	6.00 -0.030 -0.078	126.68
WRFA 180X15.6		180	15.6	15.60 +0.12 +0.05			180.00 +0.063 +0.000			135.13
WRFA 180X20	170	180	20	20.00 +0.149 +0.065	170.00 -0.043 -0.106	176.00 -0.043 -0.106	180.00 +0.063 +0.000	9.20 +0.098 +0.040	6.00 -0.030 -0.078	142.40
WRFA 180X24	170	180	24	24.00 +0.149 +0.065	170.00 -0.043 -0.106	175.00 -0.043 -0.106	180.00 +0.063 +0.000	8.50 +0.098 +0.040	7.00 -0.040 -0.098	173.97
WRFA 190X12	182	190	12	12.00 +0.12 +0.05	182.00 -0.050 -0.122	186.00 -0.050 -0.122	190.00 +0.072 +0.000	6.20 +0.098 +0.040	3.00 -0.02 -0.06	185.79
WRFA 190X20	180	190	20	20.00 +0.149 +0.065	180.00 -0.043 -0.106	186.00 -0.050 -0.122	190.00 +0.072 +0.000	11.70 +0.12 +0.05	4.50 -0.030 -0.078	158.36
WRFA 200X12	192	200	12	12.00 +0.12 +0.05	192.00 -0.050 -0.122	196.00 -0.050 -0.122	200.00 +0.072 +0.000	6.20 +0.098 +0.040	3.00 -0.02 -0.06	185.79
WRFA 200X20	190	200	20	20.00 +0.149 +0.065	190.00 -0.050 -0.122	196.00 -0.050 -0.122	200.00 +0.072 +0.000	11.70 +0.12 +0.05	4.50 -0.030 -0.078	187.49
WRFA 220X18.5		220	18.5	18.50 +0.149 +0.065			220.00 +0.072 +0.000			211.15
WRFA 220X25	210	220	25	25.00 +0.149 +0.065	210.00 -0.050 -0.122	216.00 -0.050 -0.122	220.00 +0.072 +0.000	11.70 +0.12 +0.05	8.00 -0.040 -0.098	211.99
WRFA 225X18.5		225	18.5	18.50 +0.149 +0.065			225.00 +0.072 +0.000			211.15
WRFA 225X25	215	225	25	25.00 +0.149 +0.065	215.00 -0.050 -0.122	221.00 -0.050 -0.122	225.00 +0.072 +0.000	11.70 +0.12 +0.05	8.00 -0.040 -0.098	241.12
WRFA 230X25	220	230	25	25.00 +0.149 +0.065	220.00 -0.050 -0.122	226.00 -0.050 -0.122	230.00 +0.072 +0.000	11.70 +0.12 +0.05	8.00 -0.040 -0.098	241.12
WRFA 240X27.5		240	27.5	27.50 +0.149 +0.065			240.00 +0.072 +0.000			691.29
WRFA 240X33	230	240	33	33.00 +0.18 +0.08	230.00 -0.050 -0.122	236.00 -0.050 -0.122	240.00 +0.072 +0.000	11.70 +0.12 +0.05	15.00 -0.05 -0.12	259.29
WRFA 250X27.5		250	27.5	27.50 +0.149 +0.065			250.00 +0.072 +0.000			346.27
WRFA 250X33	240	250	33	33.00 +0.18 +0.08	240.00 -0.050 -0.122	246.00 -0.050 -0.122	250.00 +0.072 +0.000	11.70 +0.12 +0.05	15.00 -0.05 -0.12	277.87
WRFA 275X33	265	275	33	33.00 +0.18 +0.08	265.00 -0.056 -0.137	271.00 -0.056 -0.137	275.00 +0.081 +0.000	11.70 +0.12 +0.05	15.00 -0.05 -0.12	295.61
WRFA 280X27.5		280	27.5	27.50 +0.149 +0.065			280.00 +0.081 +0.000			349.67
WRFA 280X33	270	280	33	33.00 +0.18 +0.08	270.00 -0.056 -0.137	276.00 -0.056 -0.137	280.00 +0.081 +0.000	11.70 +0.12 +0.05	15.00 -0.05 -0.12	380.47
WRFA 300X33	290	300	33	33.00 +0.18 +0.08	290.00 -0.056 -0.137	296.00 -0.056 -0.137	300.00 +0.081 +0.000	11.70 +0.12 +0.05	15.00 -0.05 -0.12	347.27
WRFA 310X35	298	310	35	35.00 +0.18 +0.08	298.00 -0.056 -0.137	304.00 -0.056 -0.137	310.00 +0.081 +0.000	13.25 +0.12 +0.05	8.50 -0.040 -0.098	380.13

STYLE WRFA WEAR RINGS

Part Number	A Nom. ID	B Nom. OD	C Nom. Ht	D GROOVE WIDTH	H GROOVE DIAMETER	I ₁ PROTRUSION DIAMETER	J BORE DIAMETER	D ₂ BASE GROOVE WIDTH	D ₃ PROTRUSION WIDTH	List Price
WRFA320X35	308	320	35	35.00 +0.18 +0.08	308.00 -0.056 -0.137	314.00 -0.056 -0.137	320.00 +0.089 +0.000	13.25 +0.12 +0.05	8.50 -0.040 -0.098	418.06
WRFA400X35	388	400	35	35.00 +0.18 +0.08	388.00 -0.062 -0.151	394.00 -0.062 -0.151	400.00 +0.089 +0.000	13.25 +0.12 +0.05	8.50 -0.040 -0.098	634.11
WRFA480X35	468	480	35	35.00 +0.18 +0.08	468.00 -0.068 -0.165	474.00 -0.068 -0.165	480.00 +0.097 +0.000	13.25 +0.12 +0.05	8.50 -0.040 -0.098	717.88

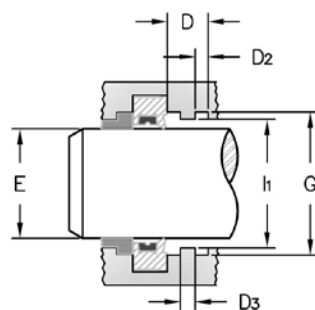
STYLE WRFI WEAR RINGS

WRFI bearings are manufactured of an extremely abrasion-resistant and low-friction POM-PTFE Bronze compound. The excellent dry-running properties allow installation behind the primary rod-seal. These are genuine Hunger® parts.



PART NUMBERS

WRFI - 22 X 19
 Type of Seal Inside Diameter Width



SEAL INFORMATION

MATERIAL	POM - PTFE / BZ
TEMPERATURE RANGE	-65° TO +248° F
SPEED	12 FT/SEC

Part Number	A Nom. ID	B Nom. OD	C Nom. Ht	D GROOVE WIDTH	E ROD DIAMETER	G HOUSING DIAMETER	I ₁ PROTRUSION DIAMETER	D ₂ BASE GROOVE WIDTH	D ₃ PROTRUSION WIDTH	List Price
WRFI22X19	22	28	19	19.00 +0.149 +0.065	22.00 -0.040 -0.073	28.00 +0.052 +0.000	25.00 +0.052 +0.000	6.50 +0.098 +0.040	6.00 -0.030 -0.078	\$ 13.80
WRFI25X19	25	31	19	19.00 +0.149 +0.065	25.00 -0.040 -0.073	31.00 +0.062 +0.000	28.00 +0.052 +0.000	6.50 +0.098 +0.040	6.00 -0.030 -0.078	15.77
WRFI28X19	28	34	19	19.00 +0.149 +0.065	28.00 -0.040 -0.073	34.00 +0.062 +0.000	31.00 +0.062 +0.000	6.50 +0.098 +0.040	6.00 -0.030 -0.078	15.77
WRFI30X19	30	36	19	19.00 +0.149 +0.065	30.00 -0.040 -0.073	36.00 +0.062 +0.000	33.00 +0.062 +0.000	6.50 +0.098 +0.040	6.00 -0.030 -0.078	15.77
WRFI35X19	35	41	19	19.00 +0.149 +0.065	35.00 -0.050 -0.089	41.00 +0.062 +0.000	38.00 +0.062 +0.000	6.50 +0.098 +0.040	6.00 -0.030 -0.078	23.65
WRFI36X19	36	42	19	19.00 +0.149 +0.065	36.00 -0.050 -0.089	42.00 +0.062 +0.000	39.00 +0.062 +0.000	6.50 +0.098 +0.040	6.00 -0.030 -0.078	23.65
WRFI40X19	40	46	19	19.00 +0.149 +0.065	40.00 -0.050 -0.089	46.00 +0.062 +0.000	43.00 +0.062 +0.000	6.50 +0.098 +0.040	6.00 -0.030 -0.078	28.85
WRFI45X19	45	51	19	19.00 +0.149 +0.065	45.00 -0.050 -0.089	51.00 +0.074 +0.000	48.00 +0.062 +0.000	6.50 +0.098 +0.040	6.00 -0.030 -0.078	27.24
WRFI50X19	50	56	19	19.00 +0.149 +0.065	50.00 -0.050 -0.089	56.00 +0.074 +0.000	53.00 +0.074 +0.000	6.50 +0.098 +0.040	6.00 -0.030 -0.078	31.53
WRFI55X19	55	61	19	19.00 +0.149 +0.065	55.00 -0.060 -0.106	61.00 +0.074 +0.000	58.00 +0.074 +0.000	6.50 +0.098 +0.040	6.00 -0.030 -0.078	31.53
WRFI56X19	56	62	19	19.00 +0.149 +0.065	56.00 -0.060 -0.106	62.00 +0.074 +0.000	59.00 +0.074 +0.000	6.50 +0.098 +0.040	6.00 -0.030 -0.078	32.31
WRFI60X24	60	70	24	24.00 +0.149 +0.065	60.00 -0.060 -0.106	70.00 +0.074 +0.000	65.00 +0.074 +0.000	8.50 +0.098 +0.040	7.00 -0.040 -0.098	35.48
WRFI63X24	63	73	24	24.00 +0.149 +0.065	63.00 -0.060 -0.106	73.00 +0.074 +0.000	68.00 +0.074 +0.000	8.50 +0.098 +0.040	7.00 -0.040 -0.098	36.67
WRFI70X24	70	80	24	24.00 +0.149 +0.065	70.00 -0.060 -0.106	80.00 +0.074 +0.000	75.00 +0.074 +0.000	8.50 +0.098 +0.040	7.00 -0.040 -0.098	44.54

STYLE WRFI WEAR RINGS

Part Number	A Nom. ID	B Nom. OD	C Nom. Ht	D GROOVE WIDTH	E ROD DIAMETER	G HOUSING DIAMETER	I ₁ PROTRUSION DIAMETER	D ₂ BASE GROOVE WIDTH	D ₃ PROTRUSION WIDTH	List Price
WRFI80X24	80	90	24	24.00 ^{+0.149} / _{+0.065}	80.00 ^{-0.060} / _{-0.106}	90.00 ^{+0.087} / _{+0.000}	85.00 ^{+0.087} / _{+0.000}	8.50 ^{+0.098} / _{+0.040}	7.00 ^{-0.040} / _{-0.098}	51.22
WRFI90X24	90	100	24	24.00 ^{+0.149} / _{+0.065}	90.00 ^{-0.072} / _{-0.126}	100.00 ^{+0.087} / _{+0.000}	95.00 ^{+0.087} / _{+0.000}	8.50 ^{+0.098} / _{+0.040}	7.00 ^{-0.040} / _{-0.098}	49.66
WRFI95X24	95	105	24	24.00 ^{+0.149} / _{+0.065}	95.00 ^{-0.072} / _{-0.126}	105.00 ^{+0.087} / _{+0.000}	100.00 ^{+0.087} / _{+0.000}	8.50 ^{+0.098} / _{+0.040}	7.00 ^{-0.040} / _{-0.098}	56.37
WRFI100X24	100	110	24	24.00 ^{+0.149} / _{+0.065}	100.00 ^{-0.072} / _{-0.126}	110.00 ^{+0.087} / _{+0.000}	105.00 ^{+0.087} / _{+0.000}	8.50 ^{+0.098} / _{+0.040}	7.00 ^{-0.040} / _{-0.098}	55.18
WRFI105X24	105	115	24	24.00 ^{+0.149} / _{+0.065}	105.00 ^{-0.072} / _{-0.126}	115.00 ^{+0.087} / _{+0.000}	110.00 ^{+0.087} / _{+0.000}	8.50 ^{+0.098} / _{+0.040}	7.00 ^{-0.040} / _{-0.098}	73.71
WRFI110X24	110	120	24	24.00 ^{+0.149} / _{+0.065}	110.00 ^{-0.072} / _{-0.126}	120.00 ^{+0.087} / _{+0.000}	115.00 ^{+0.087} / _{+0.000}	8.50 ^{+0.098} / _{+0.040}	7.00 ^{-0.040} / _{-0.098}	68.49
WRFI115X24	115	125	24	24.00 ^{+0.149} / _{+0.065}	115.00 ^{-0.072} / _{-0.126}	125.00 ^{+0.10} / _{+0.00}	120.00 ^{+0.087} / _{+0.000}	8.50 ^{+0.098} / _{+0.040}	7.00 ^{-0.040} / _{-0.098}	70.55
WRFI120X24	120	130	24	24.00 ^{+0.149} / _{+0.065}	120.00 ^{-0.072} / _{-0.126}	130.00 ^{+0.10} / _{+0.00}	125.00 ^{+0.10} / _{+0.00}	8.50 ^{+0.098} / _{+0.040}	7.00 ^{-0.040} / _{-0.098}	69.38
WRFI125X24	125	135	24	24.00 ^{+0.149} / _{+0.065}	125.00 ^{-0.085} / _{-0.148}	135.00 ^{+0.10} / _{+0.00}	130.00 ^{+0.10} / _{+0.00}	8.50 ^{+0.098} / _{+0.040}	7.00 ^{-0.040} / _{-0.098}	70.16
WRFI130X24	130	140	24	24.00 ^{+0.149} / _{+0.065}	130.00 ^{-0.085} / _{-0.148}	140.00 ^{+0.10} / _{+0.00}	135.00 ^{+0.10} / _{+0.00}	8.50 ^{+0.098} / _{+0.040}	7.00 ^{-0.040} / _{-0.098}	70.16
WRFI140X24	140	150	24	24.00 ^{+0.149} / _{+0.065}	140.00 ^{-0.085} / _{-0.148}	150.00 ^{+0.10} / _{+0.00}	145.00 ^{+0.10} / _{+0.00}	8.50 ^{+0.098} / _{+0.040}	7.00 ^{-0.040} / _{-0.098}	74.90
WRFI145X24	145	155	24	24.00 ^{+0.149} / _{+0.065}	145.00 ^{-0.085} / _{-0.148}	155.00 ^{+0.10} / _{+0.00}	150.00 ^{+0.10} / _{+0.00}	8.50 ^{+0.098} / _{+0.040}	7.00 ^{-0.040} / _{-0.098}	112.97
WRFI150X35	150	162	35	35.00 ^{+0.18} / _{+0.08}	150.00 ^{-0.085} / _{-0.148}	162.00 ^{+0.10} / _{+0.00}	156.00 ^{+0.10} / _{+0.00}	10.00 ^{+0.098} / _{+0.040}	15.00 ^{-0.05} / _{-0.12}	89.46
WRFI160X24	160	170	24	24.00 ^{+0.149} / _{+0.065}	160.00 ^{-0.085} / _{-0.148}	170.00 ^{+0.10} / _{+0.00}	165.00 ^{+0.10} / _{+0.00}	8.50 ^{+0.098} / _{+0.040}	7.00 ^{-0.040} / _{-0.098}	130.85
WRFI160X35	160	172	35	35.00 ^{+0.18} / _{+0.08}	160.00 ^{-0.085} / _{-0.148}	172.00 ^{+0.10} / _{+0.00}	166.00 ^{+0.10} / _{+0.00}	10.00 ^{+0.098} / _{+0.040}	15.00 ^{-0.05} / _{-0.12}	112.32
WRFI180X24	180	190	24	24.00 ^{+0.149} / _{+0.065}	180.00 ^{-0.085} / _{-0.148}	190.00 ^{+0.115} / _{+0.000}	185.00 ^{+0.115} / _{+0.000}	8.50 ^{+0.098} / _{+0.040}	7.00 ^{-0.040} / _{-0.098}	157.65
WRFI180X35	180	192	35	35.00 ^{+0.18} / _{+0.08}	180.00 ^{-0.085} / _{-0.148}	192.00 ^{+0.115} / _{+0.000}	186.00 ^{+0.115} / _{+0.000}	10.00 ^{+0.098} / _{+0.040}	15.00 ^{-0.05} / _{-0.12}	154.50
WRFI185X35	185	197	35	35.00 ^{+0.18} / _{+0.08}	185.00 ^{-0.100} / _{-0.172}	197.00 ^{+0.115} / _{+0.000}	191.00 ^{+0.115} / _{+0.000}	10.00 ^{+0.098} / _{+0.040}	15.00 ^{-0.05} / _{-0.12}	149.76
WRFI190X35	190	202	35	35.00 ^{+0.18} / _{+0.08}	190.00 ^{-0.100} / _{-0.172}	202.00 ^{+0.115} / _{+0.000}	196.00 ^{+0.115} / _{+0.000}	10.00 ^{+0.098} / _{+0.040}	15.00 ^{-0.05} / _{-0.12}	149.76
WRFI200X35	200	212	35	35.00 ^{+0.18} / _{+0.08}	200.00 ^{-0.100} / _{-0.172}	212.00 ^{+0.115} / _{+0.000}	206.00 ^{+0.115} / _{+0.000}	10.00 ^{+0.098} / _{+0.040}	15.00 ^{-0.05} / _{-0.12}	174.98
WRFI220X35	220	232	35	35.00 ^{+0.18} / _{+0.08}	220.00 ^{-0.100} / _{-0.172}	232.00 ^{+0.115} / _{+0.000}	226.00 ^{+0.115} / _{+0.000}	10.00 ^{+0.098} / _{+0.040}	15.00 ^{-0.05} / _{-0.12}	206.13
WRFI225X35	225	237	35	35.00 ^{+0.18} / _{+0.08}	225.00 ^{-0.100} / _{-0.172}	237.00 ^{+0.115} / _{+0.000}	231.00 ^{+0.115} / _{+0.000}	10.00 ^{+0.098} / _{+0.040}	15.00 ^{-0.05} / _{-0.12}	222.69
WRFI240X35	240	252	35	35.00 ^{+0.18} / _{+0.08}	240.00 ^{-0.100} / _{-0.172}	252.00 ^{+0.13} / _{+0.00}	246.00 ^{+0.115} / _{+0.000}	10.00 ^{+0.098} / _{+0.040}	15.00 ^{-0.05} / _{-0.12}	266.84
WRFI260X35	260	272	35	35.00 ^{+0.18} / _{+0.08}	260.00 ^{-0.110} / _{-0.191}	272.00 ^{+0.13} / _{+0.00}	266.00 ^{+0.13} / _{+0.00}	10.00 ^{+0.098} / _{+0.040}	15.00 ^{-0.05} / _{-0.12}	274.31
WRFI270X35	270	282	35	35.00 ^{+0.18} / _{+0.08}	270.00 ^{-0.110} / _{-0.191}	282.00 ^{+0.13} / _{+0.00}	276.00 ^{+0.13} / _{+0.00}	10.00 ^{+0.098} / _{+0.040}	15.00 ^{-0.05} / _{-0.12}	283.77

SPECIAL MADE TO ORDER STYLE WRFI WEAR RINGS

Part Number	List Price	Part Number	List Price
WRFI 290X35	\$ 284.34	WRFI 320X35	\$ 341.21
WRFI 300X24	298.54	WRFI 380X35	481.97