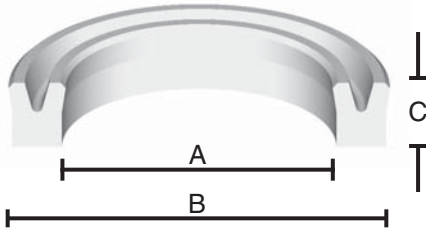


STYLE DSU HEAVY DUTY SYMMETRICAL U-SEALS

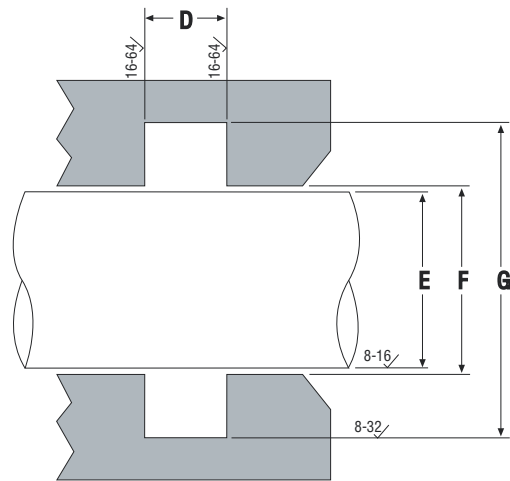
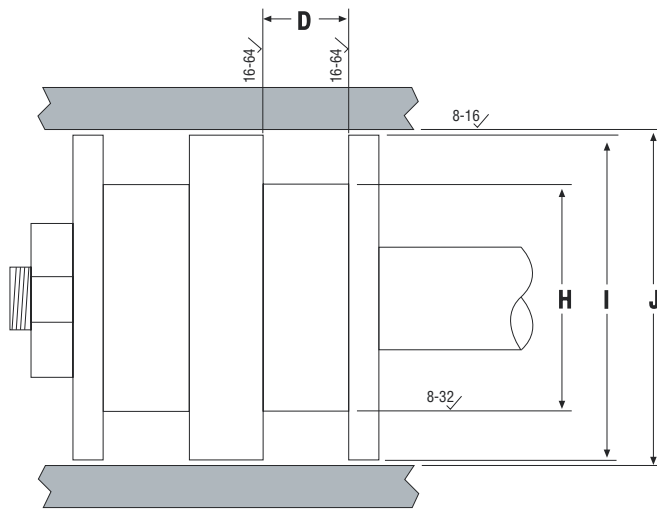


Used interchangeably for piston or rod sealing, these u-seals employ the same tough urethane material found in our Heavy Duty Rod and Piston U-Seals.



PART NUMBERS
DSU 12 - 0.18 - 12
 Type of Seal Cross Section Inside Diameter Height

SEAL INFORMATION	
MATERIAL	92A URETHANE
TEMPERATURE RANGE	-40° TO +230° F
PRESSURE RANGE	0 TO 4,000 PSI
PART NUMBER	(Prefix)(CS) - (Inside Dia) - (Height)



U-SEALS

Part Number	A NOM. I.D.	B NOM. O.D.	C NOM. HT.	D GROOVE WIDTH	E ROD DIAMETER	F THROAT DIAMETER	G HOUSING DIAMETER	H GROOVE DIAMETER	I PISTON DIAMETER	J BORE DIAMETER	List Price
1/8" C/S											
DSU12-0.18-12	3/16	7/16	1/8	0.156 +0.015/0	0.188 +0/-0.002	0.189 +0.003/0	0.438 +0.004/0	0.188 +0/-0.004	0.437 +0/-0.003	0.438 +0.003/0	\$ 5.85
DSU12-0.18-25	3/16	7/16	1/4	0.281 +0.015/0	0.188 +0/-0.002	0.189 +0.003/0	0.438 +0.004/0	0.188 +0/-0.004	0.437 +0/-0.003	0.438 +0.003/0	5.85
DSU12-0.25-18	1/4	1/2	3/16	0.218 +0.015/0	0.250 +0/-0.002	0.251 +0.003/0	0.500 +0.004/0	0.250 +0/-0.004	0.499 +0/-0.003	0.500 +0.003/0	5.63
DSU12-0.31-25	5/16	9/16	1/4	0.281 +0.015/0	0.312 +0/-0.002	0.313 +0.003/0	0.562 +0.004/0	0.281 +0/-0.004	0.561 +0/-0.003	0.562 +0.003/0	7.10
DSU12-0.37-12	3/8	5/8	1/8	0.156 +0.015/0	0.375 +0/-0.002	0.376 +0.003/0	0.625 +0.004/0	0.375 +0/-0.004	0.624 +0/-0.003	0.625 +0.003/0	5.65
DSU12-0.37-25	3/8	5/8	1/4	0.281 +0.015/0	0.375 +0/-0.002	0.376 +0.003/0	0.625 +0.004/0	0.375 +0/-0.004	0.624 +0/-0.003	0.625 +0.003/0	6.49
DSU12-0.50-12	1/2	3/4	1/8	0.156 +0.015/0	0.500 +0/-0.002	0.501 +0.003/0	0.750 +0.004/0	0.500 +0/-0.004	0.749 +0/-0.003	0.750 +0.003/0	5.89
DSU12-0.56-12	9/16	13/16	1/8	0.156 +0.015/0	0.563 +0/-0.002	0.564 +0.003/0	0.813 +0.005/0	0.563 +0/-0.004	0.812 +0/-0.003	0.813 +0.003/0	5.59
DSU12-0.62-12	5/8	7/8	1/8	0.156 +0.015/0	0.625 +0/-0.002	0.626 +0.003/0	0.875 +0.005/0	0.625 +0/-0.004	0.874 +0/-0.003	0.875 +0.003/0	6.27
DSU12-0.62-25	5/8	7/8	1/4	0.281 +0.015/0	0.625 +0/-0.002	0.626 +0.003/0	0.875 +0.005/0	0.625 +0/-0.004	0.874 +0/-0.003	0.875 +0.003/0	6.27
DSU12-0.75-12	3/4	1	1/8	0.156 +0.015/0	0.750 +0/-0.003	0.751 +0.003/0	1.000 +0.005/0	0.750 +0/-0.005	0.999 +0/-0.003	1.000 +0.003/0	6.50
DSU12-0.75-18	3/4	1	3/16	0.218 +0.015/0	0.750 +0/-0.003	0.751 +0.003/0	1.000 +0.005/0	0.750 +0/-0.005	0.999 +0/-0.003	1.000 +0.003/0	6.50
DSU12-0.75-25	3/4	1	1/4	0.281 +0.015/0	0.750 +0/-0.003	0.751 +0.003/0	1.000 +0.005/0	0.750 +0/-0.005	0.999 +0/-0.003	1.000 +0.003/0	6.50
DSU12-0.87-12	7/8	1-1/8	1/8	0.156 +0.015/0	0.875 +0/-0.003	0.876 +0.003/0	1.125 +0.005/0	0.875 +0/-0.005	1.124 +0/-0.003	1.125 +0.003/0	6.75
DSU12-0.87-17	7/8	1-1/8	11/64	0.203 +0.015/0	0.875 +0/-0.003	0.876 +0.003/0	1.125 +0.005/0	0.875 +0/-0.005	1.124 +0/-0.003	1.125 +0.003/0	6.75
DSU12-0.87-25	7/8	1-1/8	1/4	0.281 +0.015/0	0.875 +0/-0.003	0.876 +0.003/0	1.125 +0.005/0	0.875 +0/-0.005	1.124 +0/-0.003	1.125 +0.003/0	6.75

STYLE DSU HEAVY DUTY SYMMETRICAL U-SEALS

U-SEALS

Part Number	A NOM. I.D.	B NOM. O.D.	C NOM. HT.	D GROOVE WIDTH	E ROD DIAMETER	F THROAT DIAMETER	G HOUSING DIAMETER	H GROOVE DIAMETER	I PISTON DIAMETER	J BORE DIAMETER	List Price
1/8" C/S											
DSU12-1.00-12	1	1-1/4	1/8	0.156 +0.015/0	1.000 +0/-0.003	1.001 +0.003/0	1.250 +0.005/0	1.000 +0/-0.005	1.249 +0/-0.003	1.250 +0.003/0	\$ 7.04
DSU12-1.00-15	1	1-1/4	5/32	0.187 +0.015/0	1.000 +0/-0.003	1.001 +0.003/0	1.250 +0.005/0	1.000 +0/-0.005	1.249 +0/-0.003	1.250 +0.003/0	10.12
DSU12-1.00-18	1	1-1/4	3/16	0.218 +0.015/0	1.000 +0/-0.003	1.001 +0.003/0	1.250 +0.005/0	1.000 +0/-0.005	1.249 +0/-0.003	1.250 +0.003/0	7.04
DSU12-1.00-25	1	1-1/4	1/4	0.281 +0.015/0	1.000 +0/-0.003	1.001 +0.003/0	1.250 +0.005/0	1.000 +0/-0.005	1.249 +0/-0.003	1.250 +0.003/0	7.04
DSU12-1.12-12	1-1/8	1-3/8	1/8	0.156 +0.015/0	1.125 +0/-0.003	1.126 +0.003/0	1.375 +0.005/0	1.125 +0/-0.005	1.374 +0/-0.003	1.375 +0.003/0	7.33
DSU12-1.12-25	1-1/8	1-3/8	1/4	0.281 +0.015/0	1.125 +0/-0.003	1.126 +0.003/0	1.375 +0.005/0	1.125 +0/-0.005	1.374 +0/-0.003	1.375 +0.003/0	7.33
DSU12-1.25-12	1-1/4	1-1/2	1/8	0.156 +0.015/0	1.250 +0/-0.003	1.251 +0.003/0	1.500 +0.007/0	1.250 +0/-0.007	1.499 +0/-0.003	1.500 +0.003/0	8.09
DSU12-1.25-15	1-1/4	1-1/2	5/32	0.187 +0.015/0	1.250 +0/-0.003	1.251 +0.003/0	1.500 +0.007/0	1.250 +0/-0.007	1.499 +0/-0.003	1.500 +0.003/0	8.35
DSU12-1.25-18	1-1/4	1-1/2	3/16	0.218 +0.015/0	1.250 +0/-0.003	1.251 +0.003/0	1.500 +0.007/0	1.250 +0/-0.007	1.499 +0/-0.003	1.500 +0.003/0	8.09
DSU12-1.25-25	1-1/4	1-1/2	1/4	0.281 +0.015/0	1.250 +0/-0.003	1.251 +0.003/0	1.500 +0.007/0	1.250 +0/-0.007	1.499 +0/-0.003	1.500 +0.003/0	8.09
DSU12-1.31-25	1-5/16	1-9/16	1/4	0.281 +0.015/0	1.312 +0/-0.003	1.313 +0.003/0	1.963 +0.007/0	1.312 +0/-0.007	1.962 +0/-0.003	1.963 +0.003/0	8.35
DSU12-1.37-25	1-3/8	1-5/8	1/4	0.281 +0.015/0	1.375 +0/-0.003	1.376 +0.003/0	1.625 +0.007/0	1.375 +0/-0.007	1.624 +0/-0.003	1.625 +0.003/0	8.61
DSU12-1.50-25	1-1/2	1-3/4	1/4	0.281 +0.015/0	1.500 +0/-0.003	1.501 +0.003/0	1.750 +0.007/0	1.500 +0/-0.007	1.749 +0/-0.003	1.750 +0.003/0	8.80
3/16" C/S											
DSU18-0.25-25	1/4	5/8	1/4	0.281 +0.015/0	0.250 +0/-0.002	0.251 +0.003/0	0.625 +0.004/0	0.250 +0/-0.004	0.624 +0/-0.003	0.625 +0.003/0	\$ 6.63
DSU18-0.25-31	1/4	5/8	5/16	0.343 +0.015/0	0.250 +0/-0.002	0.251 +0.003/0	0.625 +0.004/0	0.250 +0/-0.004	0.624 +0/-0.003	0.625 +0.003/0	6.63
DSU18-0.37-31	3/8	3/4	5/16	0.343 +0.015/0	0.375 +0/-0.002	0.376 +0.003/0	0.750 +0.004/0	0.375 +0/-0.004	0.749 +0/-0.003	0.750 +0.003/0	6.66
DSU18-0.50-18	1/2	7/8	3/16	0.218 +0.015/0	0.500 +0/-0.002	0.501 +0.003/0	0.875 +0.005/0	0.500 +0/-0.004	0.874 +0/-0.003	0.875 +0.003/0	8.03
DSU18-0.50-31	1/2	7/8	5/16	0.343 +0.015/0	0.500 +0/-0.002	0.501 +0.003/0	0.875 +0.005/0	0.500 +0/-0.004	0.874 +0/-0.003	0.875 +0.003/0	6.68
DSU18-0.56-18	9/16	15/16	3/16	0.218 +0.015/0	0.563 +0/-0.002	0.564 +0.003/0	0.938 +0.005/0	0.563 +0/-0.004	0.937 +0/-0.003	0.938 +0.003/0	7.18
DSU18-0.62-18	5/8	1	3/16	0.218 +0.015/0	0.625 +0/-0.002	0.626 +0.003/0	1.000 +0.005/0	0.625 +0/-0.004	0.999 +0/-0.003	1.000 +0.003/0	6.92
DSU18-0.62-25	5/8	1	1/4	0.281 +0.015/0	0.625 +0/-0.002	0.626 +0.003/0	1.000 +0.005/0	0.625 +0/-0.004	0.999 +0/-0.003	1.000 +0.003/0	6.92
DSU18-0.62-31	5/8	1	5/16	0.343 +0.015/0	0.625 +0/-0.002	0.626 +0.003/0	1.000 +0.005/0	0.625 +0/-0.004	0.999 +0/-0.003	1.000 +0.003/0	7.51
DSU18-0.75-18	3/4	1-1/8	3/16	0.218 +0.015/0	0.750 +0/-0.003	0.751 +0.003/0	1.125 +0.005/0	0.750 +0/-0.005	1.124 +0/-0.003	1.125 +0.003/0	7.11
DSU18-0.75-25	3/4	1-1/8	1/4	0.281 +0.015/0	0.750 +0/-0.003	0.751 +0.003/0	1.125 +0.005/0	0.750 +0/-0.005	1.124 +0/-0.003	1.125 +0.003/0	7.11
DSU18-0.87-25	7/8	1-1/4	1/4	0.281 +0.015/0	0.875 +0/-0.003	0.876 +0.003/0	1.250 +0.005/0	0.875 +0/-0.005	1.249 +0/-0.003	1.250 +0.003/0	7.28
DSU18-1.00-18	1	1-3/8	3/16	0.218 +0.015/0	1.000 +0/-0.003	1.001 +0.003/0	1.375 +0.005/0	1.000 +0/-0.005	1.374 +0/-0.003	1.375 +0.003/0	7.37
DSU18-1.00-25	1	1-3/8	1/4	0.281 +0.015/0	1.000 +0/-0.003	1.001 +0.003/0	1.375 +0.005/0	1.000 +0/-0.005	1.374 +0/-0.003	1.375 +0.003/0	7.37
DSU18-1.00-31	1	1-3/8	5/16	0.343 +0.015/0	1.000 +0/-0.003	1.001 +0.003/0	1.375 +0.005/0	1.000 +0/-0.005	1.374 +0/-0.003	1.375 +0.003/0	7.37
DSU18-1.12-18	1-1/8	1-1/2	3/16	0.218 +0.015/0	1.125 +0/-0.003	1.126 +0.003/0	1.500 +0.007/0	1.125 +0/-0.005	1.499 +0/-0.003	1.500 +0.003/0	7.51
DSU18-1.12-25	1-1/8	1-1/2	1/4	0.281 +0.015/0	1.125 +0/-0.003	1.126 +0.003/0	1.500 +0.007/0	1.125 +0/-0.005	1.499 +0/-0.003	1.500 +0.003/0	7.51
DSU18-1.12-31	1-1/8	1-1/2	5/16	0.343 +0.015/0	1.125 +0/-0.003	1.126 +0.003/0	1.500 +0.007/0	1.125 +0/-0.005	1.499 +0/-0.003	1.500 +0.003/0	8.10
DSU18-1.25-25	1-1/4	1-5/8	1/4	0.281 +0.015/0	1.250 +0/-0.003	1.251 +0.003/0	1.625 +0.007/0	1.250 +0/-0.007	1.624 +0/-0.003	1.625 +0.003/0	8.29
DSU18-1.25-31	1-1/4	1-5/8	5/16	0.343 +0.015/0	1.250 +0/-0.003	1.251 +0.003/0	1.625 +0.007/0	1.250 +0/-0.007	1.624 +0/-0.003	1.625 +0.003/0	9.60
DSU18-1.37-25	1-3/8	1-3/4	1/4	0.281 +0.015/0	1.375 +0/-0.003	1.376 +0.003/0	1.750 +0.007/0	1.375 +0/-0.007	1.749 +0/-0.003	1.750 +0.003/0	9.56
DSU18-1.37-31	1-3/8	1-3/4	5/16	0.343 +0.015/0	1.375 +0/-0.003	1.376 +0.003/0	1.750 +0.007/0	1.375 +0/-0.007	1.749 +0/-0.003	1.750 +0.003/0	9.56
DSU18-1.43-25	1-7/16	1-13/16	1/4	0.281 +0.015/0	1.438 +0/-0.003	1.439 +0.003/0	1.813 +0.007/0	1.438 +0/-0.007	1.812 +0/-0.003	1.813 +0.003/0	9.56
DSU18-1.50-18	1-1/2	1-7/8	3/16	0.218 +0.015/0	1.500 +0/-0.003	1.501 +0.003/0	1.875 +0.007/0	1.500 +0/-0.007	1.874 +0/-0.003	1.875 +0.003/0	9.77
DSU18-1.50-25	1-1/2	1-7/8	1/4	0.281 +0.015/0	1.500 +0/-0.003	1.501 +0.003/0	1.875 +0.007/0	1.500 +0/-0.007	1.874 +0/-0.003	1.875 +0.003/0	9.77
DSU18-1.50-31	1-1/2	1-7/8	5/16	0.343 +0.015/0	1.500 +0/-0.003	1.501 +0.003/0	1.875 +0.007/0	1.500 +0/-0.007	1.874 +0/-0.003	1.875 +0.003/0	9.77
DSU18-1.50-37	1-1/2	1-7/8	3/8	0.406 +0.015/0	1.500 +0/-0.003	1.501 +0.003/0	1.875 +0.007/0	1.500 +0/-0.007	1.874 +0/-0.003	1.875 +0.003/0	9.77
DSU18-1.62-25	1-5/8	2	1/4	0.281 +0.015/0	1.625 +0/-0.003	1.626 +0.003/0	2.000 +0.008/0	1.625 +0/-0.007	1.999 +0/-0.004	2.000 +0.003/0	10.52

STYLE DSU HEAVY DUTY SYMMETRICAL U-SEALS



U-SEALS

Part Number	A NOM. I.D.	B NOM. O.D.	C NOM. HT.	D GROOVE WIDTH	E ROD DIAMETER	F THROAT DIAMETER	G HOUSING DIAMETER	H GROOVE DIAMETER	I PISTON DIAMETER	J BORE DIAMETER	List Price	
3/16" C/S												
DSU18-1.62-31	1-5/8	2	5/16	0.343 +0.015/0	1.625 +0/-0.003	1.626 +0.003/0	2.000 +0.008/0	1.625 +0/-0.007	1.999 +0/-0.004	2.000 +0.003/0	\$ 10.52	
DSU18-1.62-37	1-5/8	2	3/8	0.406 +0.015/0	1.625 +0/-0.003	1.626 +0.003/0	2.000 +0.008/0	1.625 +0/-0.007	1.999 +0/-0.004	2.000 +0.003/0	10.52	
DSU18-1.75-25	1-3/4	2-1/8	1/4	0.281 +0.015/0	1.750 +0/-0.003	1.751 +0.003/0	2.125 +0.008/0	1.750 +0/-0.007	2.124 +0/-0.004	2.125 +0.003/0	10.90	
DSU18-1.75-37	1-3/4	2-1/8	3/8	0.406 +0.015/0	1.750 +0/-0.003	1.751 +0.003/0	2.125 +0.008/0	1.750 +0/-0.007	2.124 +0/-0.004	2.125 +0.003/0	10.90	
DSU18-1.87-37	1-7/8	2-1/4	3/8	0.406 +0.015/0	1.875 +0/-0.003	1.876 +0.003/0	2.250 +0.008/0	1.875 +0/-0.007	2.249 +0/-0.004	2.250 +0.003/0	11.83	
DSU18-2.00-25	2	2-3/8	1/4	0.281 +0.015/0	2.000 +0/-0.003	2.001 +0.004/0	2.375 +0.008/0	2.000 +0/-0.008	2.374 +0/-0.004	2.375 +0.003/0	12.93	
DSU18-2.00-31	2	2-3/8	5/16	0.343 +0.015/0	2.000 +0/-0.003	2.001 +0.004/0	2.375 +0.008/0	2.000 +0/-0.008	2.374 +0/-0.004	2.375 +0.003/0	12.93	
DSU18-2.00-37	2	2-3/8	3/8	0.406 +0.015/0	2.000 +0/-0.003	2.001 +0.004/0	2.375 +0.008/0	2.000 +0/-0.008	2.374 +0/-0.004	2.375 +0.003/0	12.93	
DSU18-2.12-25	2-1/8	2-1/2	1/4	0.281 +0.015/0	2.000 +0/-0.003	2.001 +0.004/0	2.750 +0.008/0	2.000 +0/-0.008	2.749 +0/-0.004	2.750 +0.003/0	11.60	
DSU18-2.12-31	2-1/8	2-1/2	5/16	0.343 +0.015/0	2.125 +0/-0.003	2.126 +0.004/0	2.500 +0.008/0	2.125 +0/-0.008	2.499 +0/-0.004	2.500 +0.003/0	13.58	
DSU18-2.12-37	2-1/8	2-1/2	3/8	0.406 +0.015/0	2.125 +0/-0.003	2.126 +0.004/0	2.500 +0.008/0	2.125 +0/-0.008	2.499 +0/-0.004	2.500 +0.003/0	13.58	
DSU18-2.25-31	2-1/4	2-5/8	5/16	0.343 +0.015/0	2.250 +0/-0.003	2.251 +0.004/0	2.625 +0.008/0	2.250 +0/-0.008	2.624 +0/-0.004	2.625 +0.003/0	13.75	
DSU18-2.25-37	2-1/4	2-5/8	3/8	0.406 +0.015/0	2.250 +0/-0.003	2.251 +0.004/0	2.625 +0.008/0	2.250 +0/-0.008	2.624 +0/-0.004	2.625 +0.003/0	13.75	
DSU18-2.37-37	2-3/8	2-3/4	3/8	0.406 +0.015/0	2.375 +0/-0.003	2.376 +0.004/0	2.750 +0.008/0	2.375 +0/-0.008	2.749 +0/-0.004	2.750 +0.003/0	14.45	
DSU18-2.50-25	2-1/2	2-7/8	1/4	0.281 +0.015/0	2.500 +0/-0.003	2.501 +0.004/0	2.875 +0.008/0	2.500 +0/-0.008	2.874 +0/-0.004	2.875 +0.003/0	15.64	
DSU18-2.50-37	2-1/2	2-7/8	3/8	0.406 +0.015/0	2.500 +0/-0.003	2.501 +0.004/0	2.875 +0.008/0	2.500 +0/-0.008	2.874 +0/-0.004	2.875 +0.003/0	15.64	
DSU18-2.62-25	2-5/8	3	1/4	0.281 +0.015/0	2.625 +0/-0.003	2.626 +0.004/0	3.000 +0.008/0	2.625 +0/-0.008	2.999 +0/-0.004	3.000 +0.004/0	16.11	
DSU18-2.62-37	2-5/8	3	3/8	0.406 +0.015/0	2.625 +0/-0.003	2.626 +0.004/0	3.000 +0.008/0	2.625 +0/-0.008	2.999 +0/-0.004	3.000 +0.004/0	16.11	
DSU18-2.87-25	2-7/8	3-1/4	1/4	0.281 +0.015/0	2.875 +0/-0.003	2.876 +0.004/0	3.250 +0.009/0	2.875 +0/-0.008	3.249 +0/-0.004	3.250 +0.004/0	16.28	
DSU18-2.87-37	2-7/8	3-1/4	3/8	0.406 +0.015/0	2.875 +0/-0.003	2.876 +0.004/0	3.250 +0.009/0	2.875 +0/-0.008	3.249 +0/-0.004	3.250 +0.004/0	16.28	
DSU18-3.00-37	3	3-3/8	3/8	0.406 +0.015/0	3.000 +0/-0.004	3.001 +0.004/0	3.375 +0.009/0	3.000 +0/-0.009	3.374 +0/-0.004	3.375 +0.004/0	16.47	
DSU18-3.12-37	3-1/8	3-1/2	3/8	0.406 +0.015/0	3.125 +0/-0.004	3.126 +0.004/0	3.500 +0.009/0	3.125 +0/-0.009	3.499 +0/-0.004	3.500 +0.004/0	16.68	
DSU18-3.25-37	3-1/4	3-5/8	3/8	0.406 +0.015/0	3.250 +0/-0.004	3.251 +0.004/0	3.625 +0.009/0	3.250 +0/-0.009	3.624 +0/-0.004	3.625 +0.004/0	16.80	
DSU18-3.37-37	3-3/8	3-3/4	3/8	0.406 +0.015/0	3.375 +0/-0.004	3.376 +0.004/0	3.750 +0.009/0	3.375 +0/-0.009	3.749 +0/-0.004	3.750 +0.004/0	16.80	
DSU18-3.50-37	3-1/2	3-7/8	3/8	0.406 +0.015/0	3.500 +0/-0.004	3.501 +0.004/0	3.875 +0.009/0	3.500 +0/-0.009	3.874 +0/-0.004	3.875 +0.004/0	17.37	
DSU18-3.62-25	3-5/8	4	1/4	0.281 +0.015/0	3.625 +0/-0.004	3.626 +0.004/0	4.000 +0.009/0	3.625 +0/-0.009	3.999 +0/-0.004	4.000 +0.004/0	17.55	
DSU18-3.62-37	3-5/8	4	3/8	0.406 +0.015/0	3.625 +0/-0.004	3.626 +0.004/0	4.000 +0.009/0	3.625 +0/-0.009	3.999 +0/-0.004	4.000 +0.004/0	17.55	
DSU18-3.75-37	3-3/4	4-1/8	3/8	0.406 +0.015/0	3.750 +0/-0.004	3.751 +0.004/0	4.125 +0.009/0	3.750 +0/-0.009	4.124 +0/-0.004	4.125 +0.004/0	21.14	
DSU18-4.00-37	4	4-3/8	3/8	0.406 +0.015/0	4.000 +0/-0.004	4.001 +0.004/0	4.375 +0.009/0	4.000 +0/-0.009	4.374 +0/-0.004	4.375 +0.004/0	21.72	
DSU18-4.37-37	4-3/8	4-3/4	3/8	0.406 +0.015/0	4.375 +0/-0.004	4.376 +0.004/0	4.750 +0.009/0	4.375 +0/-0.009	4.749 +0/-0.004	4.750 +0.004/0	22.50	
1/4" C/S												
DSU25-0.50-25	1/2	1	1/4	0.281 +0.015/0	0.500 +0/-0.002	0.501 +0.003/0	1.000 +0.005/0	0.500 +0/-0.004	0.999 +0/-0.003	1.000 +0.003/0	\$ 6.10	
DSU25-0.50-37	1/2	1	3/8	0.406 +0.015/0	0.500 +0/-0.002	0.501 +0.003/0	1.000 +0.005/0	0.500 +0/-0.004	0.999 +0/-0.003	1.000 +0.003/0	6.10	
DSU25-0.62-25	5/8	1-1/8	1/4	0.281 +0.015/0	0.625 +0/-0.002	0.626 +0.003/0	1.125 +0.005/0	0.625 +0/-0.004	1.124 +0/-0.003	1.125 +0.003/0	6.35	
DSU25-0.62-37	5/8	1-1/8	3/8	0.406 +0.015/0	0.625 +0/-0.002	0.626 +0.003/0	1.125 +0.005/0	0.625 +0/-0.004	1.124 +0/-0.003	1.125 +0.003/0	6.35	
DSU25-0.68-37	11/16	1-3/16	3/8	0.406 +0.015/0	0.688 +0/-0.002	0.689 +0.003/0	1.108 +0.005/0	0.688 +0/-0.004	1.187 +0/-0.003	1.188 +0.003/0	10.74	
DSU25-0.75-25	3/4	1-1/4	1/4	0.281 +0.015/0	0.750 +0/-0.003	0.751 +0.003/0	1.250 +0.005/0	0.750 +0/-0.005	1.249 +0/-0.003	1.250 +0.003/0	6.62	
DSU25-0.75-37	3/4	1-1/4	3/8	0.406 +0.015/0	0.750 +0/-0.003	0.751 +0.003/0	1.250 +0.005/0	0.750 +0/-0.005	1.249 +0/-0.003	1.250 +0.003/0	6.62	
DSU25-0.87-25	7/8	1-3/8	1/4	0.281 +0.015/0	0.875 +0/-0.003	0.876 +0.003/0	1.375 +0.005/0	0.875 +0/-0.005	1.374 +0/-0.003	1.375 +0.003/0	6.88	
DSU25-0.87-37	7/8	1-3/8	3/8	0.406 +0.015/0	0.875 +0/-0.003	0.876 +0.003/0	1.375 +0.005/0	0.875 +0/-0.005	1.374 +0/-0.003	1.375 +0.003/0	6.88	
DSU25-0.93-25	15/16	1-7/16	1/4	0.281 +0.015/0	0.938 +0/-0.003	0.939 +0.003/0	1.438 +0.005/0	0.938 +0/-0.005	1.437 +0/-0.003	1.438 +0.003/0	7.00	
DSU25-1.00-25	1	1-1/2	1/4	0.281 +0.015/0	1.000 +0/-0.003	1.001 +0.003/0	1.500 +0.007/0	1.000 +0/-0.005	1.499 +0/-0.003	1.500 +0.003/0	7.16	

STYLE DSU HEAVY DUTY SYMMETRICAL U-SEALS

U-SEALS

Part Number	A NOM. I.D.	B NOM. O.D.	C NOM. HT.	D GROOVE WIDTH	E ROD DIAMETER	F THROAT DIAMETER	G HOUSING DIAMETER	H GROOVE DIAMETER	I PISTON DIAMETER	J BORE DIAMETER	List Price
1/4" C/S											
DSU25-1.00-31	1	1-1/2	5/16	0.343 +0.015/0	1.000 +0/-0.003	1.001 +0.003/0	1.500 +0.007/0	1.000 +0/-0.005	1.499 +0/-0.003	1.500 +0.003/0	\$ 7.16
DSU25-1.00-37	1	1-1/2	3/8	0.406 +0.015/0	1.000 +0/-0.003	1.001 +0.003/0	1.500 +0.007/0	1.000 +0/-0.005	1.499 +0/-0.003	1.500 +0.003/0	7.16
DSU25-1.12-31	1-1/8	1-5/8	5/16	0.343 +0.015/0	1.125 +0/-0.003	1.126 +0.003/0	1.625 +0.007/0	1.125 +0/-0.005	1.624 +0/-0.003	1.625 +0.003/0	7.40
DSU25-1.12-37	1-1/8	1-5/8	3/8	0.406 +0.015/0	1.125 +0/-0.003	1.126 +0.003/0	1.625 +0.007/0	1.125 +0/-0.005	1.624 +0/-0.003	1.625 +0.003/0	7.40
DSU25-1.18-25	1-3/16	1-11/16	1/4	0.281 +0.015/0	1.188 +0/-0.003	1.189 +0.003/0	1.688 +0.007/0	1.188 +0/-0.005	1.687 +0/-0.003	1.688 +0.003/0	8.01
DSU25-1.25-25	1-1/4	1-3/4	1/4	0.281 +0.015/0	1.250 +0/-0.003	1.251 +0.003/0	1.750 +0.007/0	1.250 +0/-0.007	1.749 +0/-0.003	1.750 +0.003/0	8.83
DSU25-1.25-31	1-1/4	1-3/4	5/16	0.343 +0.015/0	1.250 +0/-0.003	1.251 +0.003/0	1.750 +0.007/0	1.250 +0/-0.007	1.749 +0/-0.003	1.750 +0.003/0	8.83
DSU25-1.25-37	1-1/4	1-3/4	3/8	0.406 +0.015/0	1.250 +0/-0.003	1.251 +0.003/0	1.750 +0.007/0	1.250 +0/-0.007	1.749 +0/-0.003	1.750 +0.003/0	8.83
DSU25-1.37-25	1-3/8	1-7/8	1/4	0.281 +0.015/0	1.375 +0/-0.003	1.376 +0.003/0	1.875 +0.007/0	1.375 +0/-0.007	1.874 +0/-0.003	1.875 +0.003/0	9.90
DSU25-1.37-37	1-3/8	1-7/8	3/8	0.406 +0.015/0	1.375 +0/-0.003	1.376 +0.003/0	1.875 +0.007/0	1.375 +0/-0.007	1.874 +0/-0.003	1.875 +0.003/0	9.90
DSU25-1.50-25	1-1/2	2	1/4	0.281 +0.015/0	1.500 +0/-0.003	1.501 +0.003/0	2.000 +0.008/0	1.500 +0/-0.007	1.999 +0/-0.004	2.000 +0.003/0	10.52
DSU25-1.50-31	1-1/2	2	5/16	0.343 +0.015/0	1.500 +0/-0.003	1.501 +0.003/0	2.000 +0.008/0	1.500 +0/-0.007	1.999 +0/-0.004	2.000 +0.003/0	10.52
DSU25-1.50-37	1-1/2	2	3/8	0.406 +0.015/0	1.500 +0/-0.003	1.501 +0.003/0	2.000 +0.008/0	1.500 +0/-0.007	1.999 +0/-0.004	2.000 +0.003/0	10.52
DSU25-1.75-25	1-3/4	2-1/4	1/4	0.281 +0.015/0	1.750 +0/-0.003	1.751 +0.003/0	2.250 +0.008/0	1.750 +0/-0.007	2.249 +0/-0.004	2.250 +0.003/0	11.83
DSU25-1.75-31	1-3/4	2-1/4	5/16	0.343 +0.015/0	1.750 +0/-0.003	1.751 +0.003/0	2.250 +0.008/0	1.750 +0/-0.007	2.249 +0/-0.004	2.250 +0.003/0	11.83
DSU25-1.75-37	1-3/4	2-1/4	3/8	0.406 +0.015/0	1.750 +0/-0.003	1.751 +0.003/0	2.250 +0.008/0	1.750 +0/-0.007	2.249 +0/-0.004	2.250 +0.003/0	11.83
DSU25-2.00-25	2	2-1/2	1/4	0.281 +0.015/0	2.000 +0/-0.003	2.001 +0.004/0	2.500 +0.008/0	2.000 +0/-0.008	2.499 +0/-0.004	2.500 +0.003/0	13.58
DSU25-2.00-37	2	2-1/2	3/8	0.406 +0.015/0	2.000 +0/-0.003	2.001 +0.004/0	2.500 +0.008/0	2.000 +0/-0.008	2.499 +0/-0.004	2.500 +0.003/0	13.58
DSU25-2.12-37	2-1/8	2-5/8	3/8	0.406 +0.015/0	2.125 +0/-0.003	2.126 +0.004/0	2.625 +0.008/0	2.125 +0/-0.008	2.624 +0/-0.004	2.625 +0.003/0	14.28
DSU25-2.25-31	2-1/4	2-3/4	5/16	0.343 +0.015/0	2.250 +0/-0.003	2.251 +0.004/0	2.750 +0.008/0	2.250 +0/-0.008	2.749 +0/-0.004	2.750 +0.003/0	14.45
DSU25-2.25-37	2-1/4	2-3/4	3/8	0.406 +0.015/0	2.250 +0/-0.003	2.251 +0.004/0	2.750 +0.008/0	2.250 +0/-0.008	2.749 +0/-0.004	2.750 +0.003/0	14.45
DSU25-2.37-37	2-3/8	2-7/8	3/8	0.406 +0.015/0	2.375 +0/-0.003	2.376 +0.004/0	2.875 +0.008/0	2.375 +0/-0.008	2.874 +0/-0.004	2.875 +0.003/0	14.70
DSU25-2.50-25	2-1/2	3	1/4	0.281 +0.015/0	2.500 +0/-0.003	2.501 +0.004/0	3.000 +0.008/0	2.500 +0/-0.008	2.999 +0/-0.004	3.000 +0.004/0	15.62
DSU25-2.50-31	2-1/2	3	5/16	0.343 +0.015/0	2.500 +0/-0.003	2.501 +0.004/0	3.000 +0.008/0	2.500 +0/-0.008	2.999 +0/-0.004	3.000 +0.004/0	15.62
DSU25-2.50-37	2-1/2	3	3/8	0.406 +0.015/0	2.500 +0/-0.003	2.501 +0.004/0	3.000 +0.008/0	2.500 +0/-0.008	2.999 +0/-0.004	3.000 +0.004/0	15.62
DSU25-2.62-37	2-5/8	3-1/8	3/8	0.406 +0.015/0	2.625 +0/-0.003	2.626 +0.004/0	3.125 +0.008/0	2.625 +0/-0.008	3.124 +0/-0.004	3.125 +0.004/0	15.88
DSU25-2.75-37	2-3/4	3-1/4	3/8	0.406 +0.015/0	2.750 +0/-0.003	2.751 +0.004/0	3.250 +0.009/0	2.750 +0/-0.008	3.249 +0/-0.004	3.250 +0.004/0	15.94
DSU25-2.87-37	2-7/8	3-3/8	3/8	0.406 +0.015/0	2.875 +0/-0.003	2.876 +0.004/0	3.375 +0.009/0	2.875 +0/-0.008	3.374 +0/-0.004	3.375 +0.004/0	16.03
DSU25-3.00-25	3	3-1/2	1/4	0.281 +0.015/0	3.000 +0/-0.004	3.001 +0.004/0	3.500 +0.009/0	3.000 +0/-0.009	3.499 +0/-0.004	3.500 +0.004/0	16.80
DSU25-3.00-37	3	3-1/2	3/8	0.406 +0.015/0	3.000 +0/-0.004	3.001 +0.004/0	3.500 +0.009/0	3.000 +0/-0.009	3.499 +0/-0.004	3.500 +0.004/0	16.86
DSU25-3.25-37	3-1/4	3-3/4	3/8	0.406 +0.015/0	3.250 +0/-0.004	3.251 +0.004/0	3.750 +0.009/0	3.250 +0/-0.009	3.749 +0/-0.004	3.750 +0.004/0	17.10
DSU25-3.37-37	3-3/8	3-7/8	3/8	0.406 +0.015/0	3.375 +0/-0.004	3.376 +0.004/0	3.875 +0.009/0	3.375 +0/-0.009	3.874 +0/-0.004	3.875 +0.004/0	17.10
DSU25-3.50-25	3-1/2	4	1/4	0.281 +0.015/0	3.500 +0/-0.004	3.501 +0.004/0	4.000 +0.009/0	3.500 +0/-0.009	3.999 +0/-0.004	4.000 +0.004/0	18.20
DSU25-3.50-37	3-1/2	4	3/8	0.406 +0.015/0	3.500 +0/-0.004	3.501 +0.004/0	4.000 +0.009/0	3.500 +0/-0.009	3.999 +0/-0.004	4.000 +0.004/0	18.20
DSU25-3.62-37	3-5/8	4-1/8	3/8	0.406 +0.015/0	3.625 +0/-0.004	3.626 +0.004/0	4.125 +0.009/0	3.625 +0/-0.009	4.124 +0/-0.004	4.125 +0.004/0	18.81
DSU25-3.75-37	3-3/4	4-1/4	3/8	0.406 +0.015/0	3.750 +0/-0.004	3.751 +0.004/0	4.250 +0.009/0	3.750 +0/-0.009	4.249 +0/-0.004	4.250 +0.004/0	19.18
DSU25-4.00-56	4	4-1/2	9/16	0.593 +0.015/0	4.000 +0/-0.004	4.001 +0.004/0	4.500 +0.009/0	4.000 +0/-0.009	4.499 +0/-0.004	4.500 +0.004/0	21.94
DSU25-4.12-56	4-1/8	4-5/8	9/16	0.593 +0.015/0	4.125 +0/-0.004	4.126 +0.004/0	4.625 +0.009/0	4.125 +0/-0.009	4.624 +0/-0.004	4.625 +0.004/0	22.13
DSU25-4.25-37	4-1/4	4-3/4	3/8	0.406 +0.015/0	4.250 +0/-0.004	4.251 +0.004/0	4.750 +0.009/0	4.250 +0/-0.009	4.749 +0/-0.004	4.750 +0.004/0	22.90
DSU25-4.50-37	4-1/2	5	3/8	0.406 +0.015/0	4.500 +0/-0.004	4.501 +0.004/0	5.000 +0.01/0	4.500 +0/-0.009	4.999 +0/-0.004	5.000 +0.004/0	24.81
DSU25-4.50-50	4-1/2	5	1/2	0.531 +0.015/0	4.500 +0/-0.004	4.501 +0.004/0	5.000 +0.01/0	4.500 +0/-0.009	4.999 +0/-0.004	5.000 +0.004/0	24.81
DSU25-4.50-56	4-1/2	5	9/16	0.593 +0.015/0	4.500 +0/-0.004	4.501 +0.004/0	5.000 +0.01/0	4.500 +0/-0.009	4.999 +0/-0.004	5.000 +0.004/0	24.81

STYLE DSU HEAVY DUTY SYMMETRICAL U-SEALS



U-SEALS

Part Number	A NOM. I.D.	B NOM. O.D.	C NOM. HT.	D GROOVE WIDTH	E ROD DIAMETER	F THROAT DIAMETER	G HOUSING DIAMETER	H GROOVE DIAMETER	I PISTON DIAMETER	J BORE DIAMETER	List Price
1/4" C/S											
DSU25-4.75-37	4-3/4	5-1/4	3/8	0.406 +0.015/0	4.750 +0/-0.004	4.751 +0.004/0	5.250 +0.01/0	4.750 +0/-0.009	5.249 +0/-0.004	5.250 +0.004/0	\$ 26.13
DSU25-4.75-56	4-3/4	5-1/4	9/16	0.593 +0.015/0	4.750 +0/-0.004	4.751 +0.004/0	5.250 +0.01/0	4.750 +0/-0.009	5.249 +0/-0.004	5.250 +0.004/0	26.13
DSU25-5.25-56	5-1/4	5-3/4	9/16	0.593 +0.015/0	5.250 +0/-0.004	5.251 +0.004/0	5.750 +0.01/0	5.250 +0/-0.01	5.749 +0/-0.004	5.750 +0.004/0	30.05
DSU25-5.37-37	5-3/8	5-7/8	3/8	0.406 +0.015/0	5.375 +0/-0.004	5.376 +0.004/0	5.875 +0.01/0	5.375 +0/-0.01	5.874 +0/-0.004	5.875 +0.004/0	31.52
DSU25-5.62-37	5-5/8	6-1/8	3/8	0.406 +0.015/0	5.625 +0/-0.004	5.626 +0.004/0	6.125 +0.01/0	5.625 +0/-0.01	6.124 +0/-0.004	6.125 +0.004/0	34.69
DSU25-6.00-37	6	6-1/2	3/8	0.406 +0.015/0	6.000 +0/-0.004	6.001 +0.004/0	6.500 +0.01/0	6.000 +0/-0.01	6.499 +0/-0.004	6.500 +0.004/0	46.03
DSU25-6.00-56	6	6-1/2	9/16	0.593 +0.015/0	6.000 +0/-0.004	6.001 +0.004/0	6.500 +0.01/0	6.000 +0/-0.01	6.499 +0/-0.004	6.500 +0.004/0	46.03
DSU25-6.25-50	6-1/4	6-3/4	1/2	0.531 +0.015/0	6.250 +0/-0.004	6.251 +0.004/0	6.750 +0.01/0	6.250 +0/-0.01	6.749 +0/-0.004	6.750 +0.005/0	47.75
DSU25-6.50-37	6-1/2	7	3/8	0.406 +0.015/0	6.500 +0/-0.004	6.501 +0.004/0	7.000 +0.011/0	6.500 +0/-0.01	6.999 +0/-0.004	7.000 +0.005/0	50.20
DSU25-6.50-50	6-1/2	7	1/2	0.531 +0.015/0	6.500 +0/-0.004	6.501 +0.004/0	7.000 +0.011/0	6.500 +0/-0.01	6.999 +0/-0.004	7.000 +0.005/0	50.20
DSU25-7.00-56	7	7-1/2	9/16	0.593 +0.015/0	7.000 +0/-0.005	7.001 +0.004/0	7.500 +0.011/0	7.000 +0/-0.011	7.499 +0/-0.004	7.500 +0.005/0	53.86
DSU25-8.50-37	8-1/2	9	3/8	0.406 +0.015/0	8.500 +0/-0.005	8.501 +0.004/0	9.000 +0.012/0	8.500 +0/-0.011	8.999 +0/-0.004	9.000 +0.005/0	80.23
5/16" C/S											
DSU31-1.25-37	1-1/4	1-7/8	3/8	0.406 +0.015/0	1.250 +0/-0.003	1.251 +0.003/0	1.875 +0.007/0	1.250 +0/-0.007	1.874 +0/-0.003	1.875 +0.003/0	\$ 9.36
DSU31-1.25-50	1-1/4	1-7/8	1/2	0.531 +0.015/0	1.250 +0/-0.003	1.251 +0.003/0	1.875 +0.007/0	1.250 +0/-0.007	1.874 +0/-0.003	1.875 +0.003/0	9.36
DSU31-1.37-31	1-3/8	2	5/16	0.343 +0.015/0	1.375 +0/-0.003	1.376 +0.003/0	2.000 +0.008/0	1.375 +0/-0.007	1.999 +0/-0.003	2.000 +0.003/0	10.52
DSU31-1.37-37	1-3/8	2	3/8	0.406 +0.015/0	1.375 +0/-0.003	1.376 +0.003/0	2.000 +0.008/0	1.375 +0/-0.007	1.999 +0/-0.003	2.000 +0.003/0	10.52
DSU31-1.50-37	1-1/2	2-1/8	3/8	0.406 +0.015/0	1.500 +0/-0.003	1.501 +0.003/0	2.125 +0.008/0	1.500 +0/-0.007	2.124 +0/-0.004	2.125 +0.003/0	10.90
DSU31-1.62-37	1-5/8	2-1/4	3/8	0.406 +0.015/0	1.625 +0/-0.003	1.626 +0.003/0	2.250 +0.008/0	1.625 +0/-0.007	2.249 +0/-0.004	2.250 +0.003/0	11.83
DSU31-1.75-37	1-3/4	2-3/8	3/8	0.406 +0.015/0	1.750 +0/-0.003	1.751 +0.003/0	2.375 +0.008/0	1.750 +0/-0.007	2.374 +0/-0.004	2.375 +0.003/0	12.34
DSU31-1.75-50	1-3/4	2-3/8	1/2	0.531 +0.015/0	1.750 +0/-0.003	1.751 +0.003/0	2.375 +0.008/0	1.750 +0/-0.007	2.374 +0/-0.004	2.375 +0.003/0	12.34
DSU31-1.87-37	1-7/8	2-1/2	3/8	0.406 +0.015/0	1.875 +0/-0.003	1.876 +0.003/0	2.500 +0.008/0	1.875 +0/-0.007	2.499 +0/-0.004	2.500 +0.003/0	12.93
DSU31-1.87-50	1-7/8	2-1/2	1/2	0.531 +0.015/0	1.875 +0/-0.003	1.876 +0.003/0	2.500 +0.008/0	1.875 +0/-0.007	2.499 +0/-0.004	2.500 +0.003/0	12.93
DSU31-2.00-25	2	2-5/8	1/4	0.281 +0.015/0	2.000 +0/-0.003	2.001 +0.004/0	2.625 +0.008/0	2.000 +0/-0.008	2.624 +0/-0.004	2.625 +0.003/0	13.17
DSU31-2.00-31	2	2-5/8	5/16	0.343 +0.015/0	2.000 +0/-0.003	2.001 +0.004/0	2.625 +0.008/0	2.000 +0/-0.008	2.624 +0/-0.004	2.625 +0.003/0	13.17
DSU31-2.00-37	2	2-5/8	3/8	0.406 +0.015/0	2.000 +0/-0.003	2.001 +0.004/0	2.625 +0.008/0	2.000 +0/-0.008	2.624 +0/-0.004	2.625 +0.003/0	13.17
DSU31-2.12-37	2-1/8	2-3/4	3/8	0.406 +0.015/0	2.125 +0/-0.003	2.126 +0.004/0	2.750 +0.008/0	2.125 +0/-0.008	2.749 +0/-0.004	2.750 +0.003/0	13.55
DSU31-2.25-25	2-1/4	2-7/8	1/4	0.281 +0.015/0	2.250 +0/-0.003	2.251 +0.004/0	2.875 +0.008/0	2.250 +0/-0.008	2.874 +0/-0.004	2.875 +0.003/0	13.75
DSU31-2.25-37	2-1/4	2-7/8	3/8	0.406 +0.015/0	2.250 +0/-0.003	2.251 +0.004/0	2.875 +0.008/0	2.250 +0/-0.008	2.874 +0/-0.004	2.875 +0.003/0	13.75
DSU31-2.25-50	2-1/4	2-7/8	1/2	0.531 +0.015/0	2.250 +0/-0.003	2.251 +0.004/0	2.875 +0.008/0	2.250 +0/-0.008	2.874 +0/-0.004	2.875 +0.003/0	13.75
DSU31-2.37-37	2-3/8	3	3/8	0.406 +0.015/0	2.375 +0/-0.003	2.376 +0.004/0	3.000 +0.008/0	2.375 +0/-0.008	2.999 +0/-0.004	3.000 +0.004/0	14.08
DSU31-2.37-50	2-3/8	3	1/2	0.531 +0.015/0	2.375 +0/-0.003	2.376 +0.004/0	3.000 +0.008/0	2.375 +0/-0.008	2.999 +0/-0.004	3.000 +0.004/0	14.08
DSU31-2.50-37	2-1/2	3-1/8	3/8	0.406 +0.015/0	2.500 +0/-0.003	2.501 +0.004/0	3.125 +0.008/0	2.500 +0/-0.008	3.124 +0/-0.004	3.125 +0.004/0	14.30
DSU31-2.50-50	2-1/2	3-1/8	1/2	0.531 +0.015/0	2.500 +0/-0.003	2.501 +0.004/0	3.125 +0.008/0	2.500 +0/-0.008	3.124 +0/-0.004	3.125 +0.004/0	14.30
DSU31-2.62-37	2-5/8	3-1/4	3/8	0.406 +0.015/0	2.625 +0/-0.003	2.626 +0.004/0	3.250 +0.009/0	2.625 +0/-0.008	3.249 +0/-0.004	3.250 +0.004/0	14.76
DSU31-2.62-50	2-5/8	3-1/4	1/2	0.531 +0.015/0	2.625 +0/-0.003	2.626 +0.004/0	3.250 +0.009/0	2.625 +0/-0.008	3.249 +0/-0.004	3.250 +0.004/0	14.76
DSU31-2.87-37	2-7/8	3-1/2	3/8	0.406 +0.015/0	2.875 +0/-0.003	2.876 +0.004/0	3.500 +0.009/0	2.875 +0/-0.008	3.499 +0/-0.004	3.500 +0.004/0	14.83
DSU31-2.87-50	2-7/8	3-1/2	1/2	0.531 +0.015/0	2.875 +0/-0.003	2.876 +0.004/0	3.500 +0.009/0	2.875 +0/-0.008	3.499 +0/-0.004	3.500 +0.004/0	16.86
DSU31-3.00-37	3	3-5/8	3/8	0.406 +0.015/0	3.000 +0/-0.004	3.001 +0.004/0	3.625 +0.009/0	3.000 +0/-0.009	3.624 +0/-0.004	3.625 +0.004/0	17.32
DSU31-3.00-50	3	3-5/8	1/2	0.531 +0.015/0	3.000 +0/-0.004	3.001 +0.004/0	3.625 +0.009/0	3.000 +0/-0.009	3.624 +0/-0.004	3.625 +0.004/0	17.32
DSU31-3.12-37	3-1/8	3-3/4	3/8	0.406 +0.015/0	3.125 +0/-0.004	3.126 +0.004/0	3.750 +0.009/0	3.125 +0/-0.009	3.749 +0/-0.004	3.750 +0.004/0	18.14
DSU31-3.12-50	3-1/8	3-3/4	1/2	0.531 +0.015/0	3.125 +0/-0.004	3.126 +0.004/0	3.750 +0.009/0	3.125 +0/-0.009	3.749 +0/-0.004	3.750 +0.004/0	18.14

STYLE DSU HEAVY DUTY SYMMETRICAL U-SEALS

U-SEALS

Part Number	A NOM. I.D.	B NOM. O.D.	C NOM. HT.	D GROOVE WIDTH	E ROD DIAMETER	F THROAT DIAMETER	G HOUSING DIAMETER	H GROOVE DIAMETER	I PISTON DIAMETER	J BORE DIAMETER	List Price
5/16" C/S											
DSU31-3.50-37	3-1/2	4-1/8	3/8	0.406 +0.015/0	3.500 +0/-0.004	3.501 +0.004/0	4.125 +0.009/0	3.500 +0/-0.009	4.124 +0/-0.004	4.125 +0.004/0	\$ 18.63
DSU31-3.50-50	3-1/2	4-1/8	1/2	0.531 +0.015/0	3.500 +0/-0.004	3.501 +0.004/0	4.125 +0.009/0	3.500 +0/-0.009	4.124 +0/-0.004	4.125 +0.004/0	18.63
DSU31-3.62-37	3-5/8	4-1/4	3/8	0.406 +0.015/0	3.625 +0/-0.004	3.626 +0.004/0	4.250 +0.009/0	3.625 +0/-0.009	4.249 +0/-0.004	4.250 +0.004/0	19.70
DSU31-3.87-37	3-7/8	4-1/2	3/8	0.406 +0.015/0	3.875 +0/-0.004	3.876 +0.004/0	4.500 +0.009/0	3.875 +0/-0.009	4.499 +0/-0.004	4.500 +0.004/0	21.72
DSU31-3.87-50	3-7/8	4-1/2	1/2	0.531 +0.015/0	3.875 +0/-0.004	3.876 +0.004/0	4.500 +0.009/0	3.875 +0/-0.009	4.499 +0/-0.004	4.500 +0.004/0	21.72
DSU31-4.00-37	4	4-5/8	3/8	0.406 +0.015/0	4.000 +0/-0.004	4.001 +0.004/0	4.625 +0.009/0	4.000 +0/-0.009	4.624 +0/-0.004	4.625 +0.004/0	22.12
DSU31-4.12-50	4-1/8	4-3/4	1/2	0.531 +0.015/0	4.125 +0/-0.004	4.126 +0.004/0	4.750 +0.009/0	4.125 +0/-0.009	4.749 +0/-0.004	4.750 +0.004/0	23.73
DSU31-4.37-37	4-3/8	5	3/8	0.406 +0.015/0	4.375 +0/-0.004	4.376 +0.004/0	5.000 +0.01/0	4.375 +0/-0.009	4.999 +0/-0.004	5.000 +0.004/0	27.73
DSU31-4.37-50	4-3/8	5	1/2	0.531 +0.015/0	4.375 +0/-0.004	4.376 +0.004/0	5.000 +0.01/0	4.375 +0/-0.009	4.999 +0/-0.004	5.000 +0.004/0	27.73
DSU31-4.37-56	4-3/8	5	9/16	0.593 +0.015/0	4.375 +0/-0.004	4.376 +0.004/0	5.000 +0.01/0	4.375 +0/-0.009	4.999 +0/-0.004	5.000 +0.004/0	27.73
DSU31-4.50-37	4-1/2	5-1/8	3/8	0.406 +0.015/0	4.500 +0/-0.004	4.501 +0.004/0	5.125 +0.01/0	4.500 +0/-0.009	5.124 +0/-0.004	5.125 +0.004/0	29.79
DSU31-4.50-62	4-1/2	5-1/8	5/8	0.656 +0.015/0	4.500 +0/-0.004	4.501 +0.004/0	5.125 +0.01/0	4.500 +0/-0.009	5.124 +0/-0.004	5.125 +0.004/0	29.79
DSU31-4.75-37	4-3/4	5-3/8	3/8	0.406 +0.015/0	4.750 +0/-0.004	4.751 +0.004/0	5.375 +0.01/0	4.750 +0/-0.009	5.374 +0/-0.004	5.375 +0.004/0	29.79
DSU31-4.75-50	4-3/4	5-3/8	1/2	0.531 +0.015/0	4.750 +0/-0.004	4.751 +0.004/0	5.375 +0.01/0	4.750 +0/-0.009	5.374 +0/-0.004	5.375 +0.004/0	29.79
DSU31-4.75-62	4-3/4	5-3/8	5/8	0.656 +0.015/0	4.750 +0/-0.004	4.751 +0.004/0	5.375 +0.01/0	4.750 +0/-0.009	5.374 +0/-0.004	5.375 +0.004/0	39.44
DSU31-4.87-37	4-7/8	5-1/2	3/8	0.406 +0.015/0	4.875 +0/-0.004	4.876 +0.004/0	5.500 +0.01/0	4.875 +0/-0.009	5.499 +0/-0.004	5.500 +0.004/0	30.08
DSU31-4.87-50	4-7/8	5-1/2	1/2	0.531 +0.015/0	4.875 +0/-0.004	4.876 +0.004/0	5.500 +0.01/0	4.875 +0/-0.009	5.499 +0/-0.004	5.500 +0.004/0	30.08
DSU31-5.12-37	5-1/8	5-3/4	3/8	0.406 +0.015/0	5.125 +0/-0.004	5.126 +0.004/0	5.750 +0.01/0	5.125 +0/-0.01	5.749 +0/-0.004	5.750 +0.004/0	30.50
DSU31-5.12-50	5-1/8	5-3/4	1/2	0.531 +0.015/0	5.125 +0/-0.004	5.126 +0.004/0	5.750 +0.01/0	5.125 +0/-0.01	5.749 +0/-0.004	5.750 +0.004/0	30.50
DSU31-5.25-37	5-1/4	5-7/8	3/8	0.406 +0.015/0	5.250 +0/-0.004	5.251 +0.004/0	5.875 +0.01/0	5.250 +0/-0.01	5.874 +0/-0.004	5.875 +0.004/0	31.73
DSU31-5.37-37	5-3/8	6	3/8	0.406 +0.015/0	5.375 +0/-0.004	5.376 +0.004/0	6.000 +0.01/0	5.375 +0/-0.01	5.999 +0/-0.004	6.000 +0.004/0	32.55
DSU31-5.37-50	5-3/8	6	1/2	0.531 +0.015/0	5.375 +0/-0.004	5.376 +0.004/0	6.000 +0.01/0	5.375 +0/-0.01	5.999 +0/-0.004	6.000 +0.004/0	32.55
DSU31-5.37-62	5-3/8	6	5/8	0.656 +0.015/0	5.375 +0/-0.004	5.376 +0.004/0	6.000 +0.01/0	5.375 +0/-0.01	5.999 +0/-0.004	6.000 +0.004/0	36.25
DSU31-5.50-37	5-1/2	6-1/8	3/8	0.406 +0.015/0	5.500 +0/-0.004	5.501 +0.004/0	6.125 +0.01/0	5.500 +0/-0.01	6.124 +0/-0.004	6.125 +0.004/0	39.65
DSU31-5.62-50	5-5/8	6-1/4	1/2	0.531 +0.015/0	5.625 +0/-0.004	5.626 +0.004/0	6.250 +0.01/0	5.625 +0/-0.01	6.249 +0/-0.004	6.250 +0.004/0	39.64
DSU31-5.87-37	5-7/8	6-1/2	3/8	0.406 +0.015/0	5.875 +0/-0.004	5.876 +0.004/0	6.500 +0.01/0	5.875 +0/-0.01	6.499 +0/-0.004	6.500 +0.004/0	39.71
3/8" C/S											
DSU37-1.25-37	1-1/4	2	3/8	0.406 +0.015/0	1.250 +0/-0.003	1.251 +0.003/0	2.000 +0.008/0	1.250 +0/-0.007	1.999 +0/-0.003	2.000 +0.003/0	\$ 9.81
DSU37-1.25-43	1-1/4	2	7/16	0.468 +0.015/0	1.250 +0/-0.003	1.251 +0.003/0	2.000 +0.008/0	1.250 +0/-0.007	1.999 +0/-0.003	2.000 +0.003/0	9.81
DSU37-1.25-50	1-1/4	2	1/2	0.531 +0.015/0	1.250 +0/-0.003	1.251 +0.003/0	2.000 +0.008/0	1.250 +0/-0.007	1.999 +0/-0.003	2.000 +0.003/0	9.81
DSU37-1.50-37	1-1/2	2-1/4	3/8	0.406 +0.015/0	1.500 +0/-0.003	1.501 +0.003/0	2.250 +0.008/0	1.500 +0/-0.007	2.249 +0/-0.004	2.250 +0.003/0	11.83
DSU37-1.50-50	1-1/2	2-1/4	1/2	0.531 +0.015/0	1.500 +0/-0.003	1.501 +0.003/0	2.250 +0.008/0	1.500 +0/-0.007	2.249 +0/-0.004	2.250 +0.003/0	15.64
DSU37-1.62-37	1-5/8	2-3/8	3/8	0.406 +0.015/0	1.625 +0/-0.003	1.626 +0.003/0	2.375 +0.008/0	1.625 +0/-0.007	2.374 +0/-0.004	2.375 +0.003/0	12.34
DSU37-1.62-50	1-5/8	2-3/8	1/2	0.531 +0.015/0	1.625 +0/-0.003	1.626 +0.003/0	2.375 +0.008/0	1.625 +0/-0.007	2.374 +0/-0.004	2.375 +0.003/0	12.34
DSU37-1.75-37	1-3/4	2-1/2	3/8	0.406 +0.015/0	1.750 +0/-0.003	1.751 +0.003/0	2.500 +0.008/0	1.750 +0/-0.007	2.499 +0/-0.004	2.500 +0.003/0	12.93
DSU37-1.75-62	1-3/4	2-1/2	5/8	0.656 +0.015/0	1.750 +0/-0.003	1.751 +0.003/0	2.500 +0.008/0	1.750 +0/-0.007	2.499 +0/-0.004	2.500 +0.003/0	12.93
DSU37-2.00-37	2	2-3/4	3/8	0.406 +0.015/0	2.000 +0/-0.003	2.001 +0.004/0	2.750 +0.008/0	2.000 +0/-0.008	2.749 +0/-0.004	2.750 +0.003/0	16.01
DSU37-2.00-50	2	2-3/4	1/2	0.531 +0.015/0	2.000 +0/-0.003	2.001 +0.004/0	2.750 +0.008/0	2.000 +0/-0.008	2.749 +0/-0.004	2.750 +0.003/0	16.01
DSU37-2.25-37	2-1/4	3	3/8	0.406 +0.015/0	2.250 +0/-0.003	2.251 +0.004/0	3.000 +0.008/0	2.250 +0/-0.008	2.999 +0/-0.004	3.000 +0.004/0	16.79
DSU37-2.25-50	2-1/4	3	1/2	0.531 +0.015/0	2.250 +0/-0.003	2.251 +0.004/0	3.000 +0.008/0	2.250 +0/-0.008	2.999 +0/-0.004	3.000 +0.004/0	16.79
DSU37-2.25-62	2-1/4	3	5/8	0.656 +0.015/0	2.250 +0/-0.003	2.251 +0.004/0	3.000 +0.008/0	2.250 +0/-0.008	2.999 +0/-0.004	3.000 +0.004/0	16.79
DSU37-2.50-37	2-1/2	3-1/4	3/8	0.406 +0.015/0	2.500 +0/-0.003	2.501 +0.004/0	3.250 +0.009/0	2.500 +0/-0.008	3.249 +0/-0.004	3.250 +0.004/0	17.04

STYLE DSU HEAVY DUTY SYMMETRICAL U-SEALS



U-SEALS

Part Number	A NOM. I.D.	B NOM. O.D.	C NOM. HT.	D GROOVE WIDTH	E ROD DIAMETER	F THROAT DIAMETER	G HOUSING DIAMETER	H GROOVE DIAMETER	I PISTON DIAMETER	J BORE DIAMETER	List Price
3/8" C/S											
DSU37-2.50-50	2-1/2	3-1/4	1/2	0.531 +0.015/0	2.500 +0/-0.003	2.501 +0.004/0	3.250 +0.009/0	2.500 +0/-0.008	3.249 +0/-0.004	3.250 +0.004/0	\$ 17.04
DSU37-2.50-62	2-1/2	3-1/4	5/8	0.656 +0.015/0	2.500 +0/-0.003	2.501 +0.004/0	3.250 +0.009/0	2.500 +0/-0.008	3.249 +0/-0.004	3.250 +0.004/0	17.04
DSU37-2.62-37	2-5/8	3-3/8	3/8	0.406 +0.015/0	2.625 +0/-0.003	2.626 +0.004/0	3.375 +0.009/0	2.625 +0/-0.008	3.374 +0/-0.004	3.375 +0.004/0	17.80
DSU37-2.62-62	2-5/8	3-3/8	5/8	0.656 +0.015/0	2.625 +0/-0.003	2.626 +0.004/0	3.375 +0.009/0	2.625 +0/-0.008	3.374 +0/-0.004	3.375 +0.004/0	17.80
DSU37-2.75-37	2-3/4	3-1/2	3/8	0.406 +0.015/0	2.750 +0/-0.003	2.751 +0.004/0	3.500 +0.009/0	2.750 +0/-0.008	3.499 +0/-0.004	3.500 +0.004/0	18.30
DSU37-2.75-50	2-3/4	3-1/2	1/2	0.531 +0.015/0	2.750 +0/-0.003	2.751 +0.004/0	3.500 +0.009/0	2.750 +0/-0.008	3.499 +0/-0.004	3.500 +0.004/0	18.30
DSU37-2.75-62	2-3/4	3-1/2	5/8	0.656 +0.015/0	2.750 +0/-0.003	2.751 +0.004/0	3.500 +0.009/0	2.750 +0/-0.008	3.499 +0/-0.004	3.500 +0.004/0	18.30
DSU37-3.00-37	3	3-3/4	3/8	0.406 +0.015/0	3.000 +0/-0.004	3.001 +0.004/0	3.750 +0.009/0	3.000 +0/-0.009	3.749 +0/-0.004	3.750 +0.004/0	18.96
DSU37-3.00-50	3	3-3/4	1/2	0.531 +0.015/0	3.000 +0/-0.004	3.001 +0.004/0	3.750 +0.009/0	3.000 +0/-0.009	3.749 +0/-0.004	3.750 +0.004/0	18.96
DSU37-3.00-62	3	3-3/4	5/8	0.656 +0.015/0	3.000 +0/-0.004	3.001 +0.004/0	3.750 +0.009/0	3.000 +0/-0.009	3.749 +0/-0.004	3.750 +0.004/0	18.96
DSU37-3.25-37	3-1/4	4	3/8	0.406 +0.015/0	3.250 +0/-0.004	3.251 +0.004/0	4.000 +0.009/0	3.250 +0/-0.009	3.999 +0/-0.004	4.000 +0.004/0	19.98
DSU37-3.25-50	3-1/4	4	1/2	0.531 +0.015/0	3.250 +0/-0.004	3.251 +0.004/0	4.000 +0.009/0	3.250 +0/-0.009	3.999 +0/-0.004	4.000 +0.004/0	19.98
DSU37-3.25-62	3-1/4	4	5/8	0.656 +0.015/0	3.250 +0/-0.004	3.251 +0.004/0	4.000 +0.009/0	3.250 +0/-0.009	3.999 +0/-0.004	4.000 +0.004/0	19.98
DSU37-3.50-37	3-1/2	4-1/4	3/8	0.406 +0.015/0	3.500 +0/-0.004	3.501 +0.004/0	4.250 +0.009/0	3.500 +0/-0.009	4.249 +0/-0.004	4.250 +0.004/0	19.98
DSU37-3.50-50	3-1/2	4-1/4	1/2	0.531 +0.015/0	3.500 +0/-0.004	3.501 +0.004/0	4.250 +0.009/0	3.500 +0/-0.009	4.249 +0/-0.004	4.250 +0.004/0	19.98
DSU37-3.50-62	3-1/2	4-1/4	5/8	0.656 +0.015/0	3.500 +0/-0.004	3.501 +0.004/0	4.250 +0.009/0	3.500 +0/-0.009	4.249 +0/-0.004	4.250 +0.004/0	48.29
DSU37-3.75-37	3-3/4	4-1/2	3/8	0.406 +0.015/0	3.750 +0/-0.004	3.751 +0.004/0	4.500 +0.009/0	3.750 +0/-0.009	4.499 +0/-0.004	4.500 +0.004/0	23.16
DSU37-3.75-50	3-3/4	4-1/2	1/2	0.531 +0.015/0	3.750 +0/-0.004	3.751 +0.004/0	4.500 +0.009/0	3.750 +0/-0.009	4.499 +0/-0.004	4.500 +0.004/0	23.16
DSU37-3.75-62	3-3/4	4-1/2	5/8	0.656 +0.015/0	3.750 +0/-0.004	3.751 +0.004/0	4.500 +0.009/0	3.750 +0/-0.009	4.499 +0/-0.004	4.500 +0.004/0	23.16
DSU37-4.00-37	4	4-3/4	3/8	0.406 +0.015/0	4.000 +0/-0.004	4.001 +0.004/0	4.750 +0.009/0	4.000 +0/-0.009	4.749 +0/-0.004	4.750 +0.004/0	25.12
DSU37-4.00-50	4	4-3/4	1/2	0.531 +0.015/0	4.000 +0/-0.004	4.001 +0.004/0	4.750 +0.009/0	4.000 +0/-0.009	4.749 +0/-0.004	4.750 +0.004/0	25.12
DSU37-4.00-62	4	4-3/4	5/8	0.656 +0.015/0	4.000 +0/-0.004	4.001 +0.004/0	4.750 +0.009/0	4.000 +0/-0.009	4.749 +0/-0.004	4.750 +0.004/0	25.12
DSU37-4.12-62	4-1/8	4-7/8	5/8	0.656 +0.015/0	4.125 +0/-0.004	4.126 +0.004/0	4.875 +0.009/0	4.125 +0/-0.009	4.874 +0/-0.004	4.875 +0.004/0	25.54
DSU37-4.25-37	4-1/4	5	3/8	0.406 +0.015/0	4.250 +0/-0.004	4.251 +0.004/0	5.000 +0.01/0	4.250 +0/-0.009	4.999 +0/-0.004	5.000 +0.004/0	25.54
DSU37-4.25-50	4-1/4	5	1/2	0.531 +0.015/0	4.250 +0/-0.004	4.251 +0.004/0	5.000 +0.01/0	4.250 +0/-0.009	4.999 +0/-0.004	5.000 +0.004/0	25.54
DSU37-4.25-62	4-1/4	5	5/8	0.656 +0.015/0	4.250 +0/-0.004	4.251 +0.004/0	5.000 +0.01/0	4.250 +0/-0.009	4.999 +0/-0.004	5.000 +0.004/0	33.57
DSU37-4.50-50	4-1/2	5-1/4	1/2	0.531 +0.015/0	4.500 +0/-0.004	4.501 +0.004/0	5.250 +0.01/0	4.500 +0/-0.009	5.249 +0/-0.004	5.250 +0.004/0	26.36
DSU37-4.50-62	4-1/2	5-1/4	5/8	0.656 +0.015/0	4.500 +0/-0.004	4.501 +0.004/0	5.250 +0.01/0	4.500 +0/-0.009	5.249 +0/-0.004	5.250 +0.004/0	26.36
DSU37-4.62-50	4-5/8	5-3/8	1/2	0.531 +0.015/0	4.625 +0/-0.004	4.626 +0.004/0	5.375 +0.01/0	4.625 +0/-0.009	5.374 +0/-0.004	5.375 +0.004/0	27.35
DSU37-4.75-50	4-3/4	5-1/2	1/2	0.531 +0.015/0	4.750 +0/-0.004	4.751 +0.004/0	5.500 +0.01/0	4.750 +0/-0.009	5.499 +0/-0.004	5.500 +0.004/0	28.16
DSU37-4.75-62	4-3/4	5-1/2	5/8	0.656 +0.015/0	4.750 +0/-0.004	4.751 +0.004/0	5.500 +0.01/0	4.750 +0/-0.009	5.499 +0/-0.004	5.500 +0.004/0	28.16
DSU37-4.87-50	4-7/8	5-5/8	1/2	0.531 +0.015/0	4.875 +0/-0.004	4.876 +0.004/0	5.625 +0.01/0	4.875 +0/-0.009	5.624 +0/-0.004	5.625 +0.004/0	30.90
DSU37-5.25-37	5-1/4	6	3/8	0.406 +0.015/0	5.250 +0/-0.004	5.251 +0.004/0	6.000 +0.01/0	5.250 +0/-0.01	5.999 +0/-0.004	6.000 +0.004/0	32.55
DSU37-5.25-50	5-1/4	6	1/2	0.531 +0.015/0	5.250 +0/-0.004	5.251 +0.004/0	6.000 +0.01/0	5.250 +0/-0.01	5.999 +0/-0.004	6.000 +0.004/0	32.55
DSU37-5.25-62	5-1/4	6	5/8	0.656 +0.015/0	5.250 +0/-0.004	5.251 +0.004/0	6.000 +0.01/0	5.250 +0/-0.01	5.999 +0/-0.004	6.000 +0.004/0	32.55
DSU37-5.37-50	5-3/8	6-1/8	1/2	0.531 +0.015/0	5.375 +0/-0.004	5.376 +0.004/0	6.125 +0.01/0	5.375 +0/-0.01	6.124 +0/-0.004	6.125 +0.004/0	33.15
DSU37-5.50-37	5-1/2	6-1/4	3/8	0.406 +0.015/0	5.500 +0/-0.004	5.501 +0.004/0	6.250 +0.01/0	5.500 +0/-0.01	6.249 +0/-0.004	6.250 +0.004/0	35.73
DSU37-5.50-50	5-1/2	6-1/4	1/2	0.531 +0.015/0	5.500 +0/-0.004	5.501 +0.004/0	6.250 +0.01/0	5.500 +0/-0.01	6.249 +0/-0.004	6.250 +0.004/0	35.73
DSU37-5.62-62	5-5/8	6-3/8	5/8	0.656 +0.015/0	5.625 +0/-0.004	5.626 +0.004/0	6.375 +0.01/0	5.625 +0/-0.01	6.374 +0/-0.004	6.375 +0.004/0	37.35
DSU37-5.75-50	5-3/4	6-1/2	1/2	0.531 +0.015/0	5.750 +0/-0.004	5.751 +0.004/0	6.500 +0.01/0	5.750 +0/-0.01	6.499 +0/-0.004	6.500 +0.004/0	39.38
DSU37-5.75-62	5-3/4	6-1/2	5/8	0.656 +0.015/0	5.750 +0/-0.004	5.751 +0.004/0	6.500 +0.01/0	5.750 +0/-0.01	6.499 +0/-0.004	6.500 +0.004/0	46.86
DSU37-6.25-50	6-1/4	7	1/2	0.531 +0.015/0	6.250 +0/-0.004	6.251 +0.004/0	7.000 +0.011/0	6.250 +0/-0.01	6.999 +0/-0.004	7.000 +0.005/0	48.69

STYLE DSU HEAVY DUTY SYMMETRICAL U-SEALS

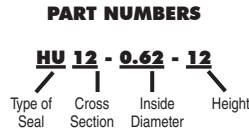
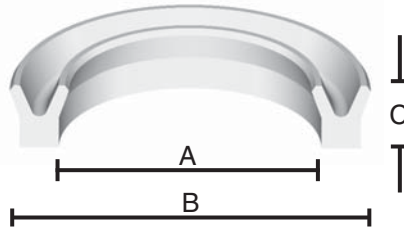
U-SEALS

Part Number	A NOM. I.D.	B NOM. O.D.	C NOM. HT.	D GROOVE WIDTH	E ROD DIAMETER	F THROAT DIAMETER	G HOUSING DIAMETER	H GROOVE DIAMETER	I PISTON DIAMETER	J BORE DIAMETER	List Price
3/8" C/S											
DSU37-6.25-62	6-1/4	7	5/8	0.656 +0.015/0	6.250 +0/-0.004	6.251 +0.004/0	7.000 +0.011/0	6.250 +0/-0.01	6.999 +0/-0.004	7.000 +0.005/0	\$ 48.69
DSU37-6.50-50	6-1/2	7-1/4	1/2	0.531 +0.015/0	6.500 +0/-0.004	6.501 +0.004/0	7.250 +0.011/0	6.500 +0/-0.01	7.249 +0/-0.004	7.250 +0.005/0	53.61
DSU37-6.50-62	6-1/2	7-1/4	5/8	0.656 +0.015/0	6.500 +0/-0.004	6.501 +0.004/0	7.250 +0.011/0	6.500 +0/-0.01	7.249 +0/-0.004	7.250 +0.005/0	53.62
DSU37-6.75-50	6-3/4	7-1/2	1/2	0.531 +0.015/0	6.750 +0/-0.004	6.751 +0.004/0	7.500 +0.011/0	6.750 +0/-0.01	7.499 +0/-0.004	7.500 +0.005/0	55.13
DSU37-7.00-50	7	7-3/4	1/2	0.531 +0.015/0	7.000 +0/-0.005	7.001 +0.004/0	7.750 +0.011/0	7.000 +0/-0.011	7.749 +0/-0.004	7.750 +0.005/0	57.21
DSU37-7.00-62	7	7-3/4	5/8	0.656 +0.015/0	7.000 +0/-0.005	7.001 +0.004/0	7.750 +0.011/0	7.000 +0/-0.011	7.749 +0/-0.004	7.750 +0.005/0	60.11
DSU37-7.25-50	7-1/4	8	1/2	0.531 +0.015/0	7.250 +0/-0.005	7.251 +0.004/0	8.000 +0.011/0	7.250 +0/-0.011	7.999 +0/-0.004	8.000 +0.005/0	62.14
DSU37-7.75-50	7-3/4	8-1/2	1/2	0.531 +0.015/0	7.750 +0/-0.005	7.751 +0.004/0	8.500 +0.011/0	7.750 +0/-0.011	8.499 +0/-0.004	8.500 +0.005/0	64.94
DSU37-8.25-50	8-1/4	9	1/2	0.531 +0.015/0	8.250 +0/-0.005	8.251 +0.004/0	9.000 +0.012/0	8.250 +0/-0.011	8.999 +0/-0.004	9.000 +0.005/0	89.45
DSU37-8.50-62	8-1/2	9-1/4	5/8	0.656 +0.015/0	8.500 +0/-0.005	8.501 +0.004/0	9.250 +0.012/0	8.500 +0/-0.011	9.249 +0/-0.004	9.250 +0.005/0	94.37
1/2" C/S											
DSU50-1.87-62	1-7/8	2-7/8	5/8	0.656 +0.015/0	1.875 +0/-0.003	1.876 +0.003/0	2.875 +0.008/0	1.875 +0/-0.007	2.874 +0/-0.004	2.875 +0.003/0	\$ 22.74
DSU50-2.50-68	2-1/2	3-1/2	11/16	0.719 +0.015/0	2.500 +0/-0.003	2.501 +0.004/0	3.500 +0.009/0	2.500 +0/-0.008	3.499 +0/-0.004	3.500 +0.004/0	30.23
DSU50-3.00-62	3	4	5/8	0.656 +0.015/0	3.000 +0/-0.004	3.001 +0.004/0	4.000 +0.009/0	3.000 +0/-0.009	3.999 +0/-0.004	4.000 +0.004/0	34.60
DSU50-3.50-50	3-1/2	4-1/2	1/2	0.531 +0.015/0	3.500 +0/-0.004	3.501 +0.004/0	4.500 +0.009/0	3.500 +0/-0.009	4.499 +0/-0.004	4.500 +0.004/0	21.08
DSU50-3.50-62	3-1/2	4-1/2	5/8	0.656 +0.015/0	3.500 +0/-0.004	3.501 +0.004/0	4.500 +0.009/0	3.500 +0/-0.009	4.499 +0/-0.004	4.500 +0.004/0	21.08
DSU50-6.00-62	6	7	5/8	0.656 +0.015/0	6.000 +0/-0.004	3.876 +0.004/0	7.000 +0.011/0	6.000 +0/-0.01	6.999 +0/-0.004	7.000 +0.005/0	49.75
DSU50-6.00-75	6	7	3/4	0.781 +0.015/0	6.000 +0/-0.004	3.876 +0.004/0	7.000 +0.011/0	6.000 +0/-0.01	6.999 +0/-0.004	7.000 +0.005/0	59.22
DSU50-6.50-75	6-1/2	7-1/2	3/4	0.781 +0.015/0	6.500 +0/-0.004	6.501 +0.004/0	7.500 +0.011/0	6.500 +0/-0.01	7.499 +0/-0.004	7.500 +0.005/0	61.56
DSU50-7.00-62	7	8	5/8	0.656 +0.015/0	7.000 +0/-0.005	7.001 +0.004/0	8.000 +0.011/0	7.000 +0/-0.011	7.999 +0/-0.004	8.000 +0.005/0	64.98
DSU50-7.00-75	7	8	3/4	0.781 +0.015/0	7.000 +0/-0.005	7.001 +0.004/0	8.000 +0.011/0	7.000 +0/-0.011	7.999 +0/-0.004	8.000 +0.005/0	80.70
DSU50-7.50-75	7-1/2	8-1/2	3/4	0.781 +0.015/0	7.500 +0/-0.005	7.501 +0.004/0	8.500 +0.011/0	7.500 +0/-0.011	8.499 +0/-0.004	8.500 +0.005/0	66.81
DSU50-7.75-75	7-3/4	8-3/4	3/4	0.781 +0.015/0	7.750 +0/-0.005	7.751 +0.004/0	8.750 +0.011/0	7.750 +0/-0.011	8.749 +0/-0.004	8.750 +0.005/0	76.47
DSU50-8.00-62	8	9	5/8	0.656 +0.015/0	8.000 +0/-0.005	8.001 +0.004/0	9.000 +0.012/0	8.000 +0/-0.011	8.999 +0/-0.004	9.000 +0.005/0	79.21
DSU50-8.00-75	8	9	3/4	0.781 +0.015/0	8.000 +0/-0.005	8.001 +0.004/0	9.000 +0.012/0	8.000 +0/-0.011	8.999 +0/-0.004	9.000 +0.005/0	89.25
DSU50-9.00-62	9	10	5/8	0.656 +0.015/0	9.000 +0/-0.005	9.001 +0.004/0	10.000 +0.012/0	9.000 +0/-0.011	9.999 +0/-0.004	10.000 +0.005/0	104.66
DSU50-9.00-75	9	10	3/4	0.781 +0.015/0	9.000 +0/-0.005	9.001 +0.004/0	10.000 +0.012/0	9.000 +0/-0.011	9.999 +0/-0.004	10.000 +0.005/0	104.66
DSU50-10.00-75	10	11	3/4	0.781 +0.015/0	10.000 +0/-0.006	10.001 +0.004/0	11.000 +0.012/0	10.000 +0/-0.012	10.999 +0/-0.004	11.000 +0.006/0	110.33
DSU50-11.00-75	11	12	3/4	0.781 +0.015/0	11.000 +0/-0.006	11.001 +0.004/0	12.000 +0.012/0	11.000 +0/-0.012	11.999 +0/-0.004	12.000 +0.006/0	155.25
DSU50-12.00-75	12	13	3/4	0.781 +0.015/0	12.000 +0/-0.006	12.001 +0.004/0	13.000 +0.012/0	12.000 +0/-0.012	12.999 +0/-0.004	13.000 +0.006/0	177.64
DSU50-15.00-75	15	16	3/4	0.781 +0.015/0	15.000 +0/-0.006	15.001 +0.004/0	16.000 +0.012/0	15.000 +0/-0.012	15.999 +0/-0.004	16.000 +0.006/0	280.26
DSU50-17.00-75	17	18	3/4	0.781 +0.015/0	17.000 +0/-0.006	17.001 +0.004/0	18.000 +0.012/0	17.000 +0/-0.012	17.999 +0/-0.004	18.000 +0.006/0	299.04
5/8" C/S											
DSU62-3.75-62	3-3/4	5	5/8	0.656 +0.015/0	3.750 +0/-0.004	3.751 +0.004/0	5.000 +0.01/0	3.750 +0/-0.009	4.999 +0/-0.004	5.000 +0.004/0	\$ 38.66
3/4" C/S											
DSU75-12.50-100	12-1/2	14	1	1.031 +0.015/0	12.500 +0/-0.006	12.501 +0.004/0	14.000 +0.012/0	12.500 +0/-0.012	13.999 +0/-0.004	14.000 +0.006/0	\$ 177.17

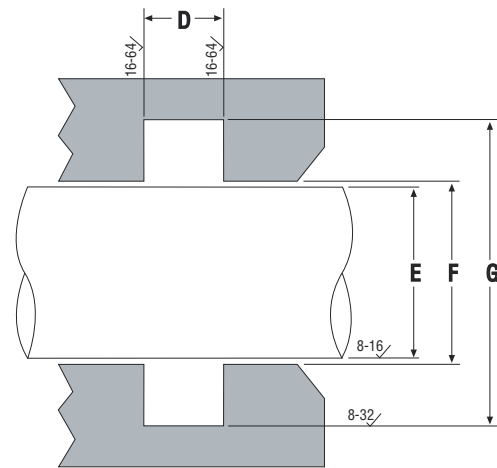
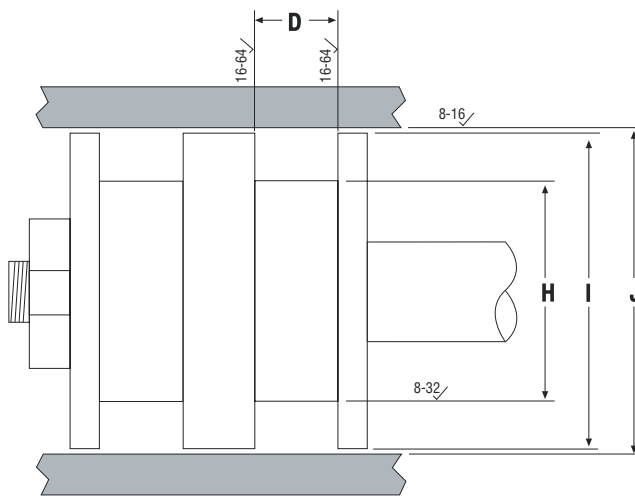
STYLE HU SYMMETRICAL URETHANE U-SEALS



Style HU seals feature a reverse bevel lip design and are molded from high quality urethane. The balanced symmetrical design makes them ideal for rod or piston applications.



SEAL INFORMATION	
MATERIAL	90A URETHANE
TEMPERATURE RANGE	-50° TO +200° F
PRESSURE RANGE	0 TO 5,000 PSI
PART NUMBER	(Prefix)(CS) - (Inside Dia) - (Height)



U-SEALS

Part Number	A NOM. I.D.	B NOM. O.D.	C NOM. HT.	D GROOVE WIDTH	E ROD DIAMETER	F THROAT DIAMETER	G HOUSING DIAMETER	H GROOVE DIAMETER	I PISTON DIAMETER	J BORE DIAMETER	List Price
1/8" C/S											
HU12-0.62-12	5/8	7/8	1/8	0.138 +0.015/0	0.625 +0/-0.003	0.626 +0.003/0	0.875 +0.003/0	0.625 +0/-0.004	0.874 +0/-0.003	0.875 +0.003/0	\$ 4.14
HU12-0.62-18	5/8	7/8	3/16	0.207 +0.015/0	0.625 +0/-0.003	0.626 +0.003/0	0.875 +0.003/0	0.625 +0/-0.004	0.874 +0/-0.003	0.875 +0.003/0	7.01
HU12-0.75-25	3/4	1	1/4	0.275 +0.015/0	0.750 +0/-0.003	0.751 +0.003/0	1.000 +0.003/0	0.750 +0/-0.004	0.999 +0/-0.003	1.000 +0.003/0	4.22
HU12-0.87-25	7/8	1-1/8	1/4	0.275 +0.015/0	0.875 +0/-0.003	0.876 +0.003/0	1.125 +0.003/0	0.875 +0/-0.004	1.124 +0/-0.003	1.125 +0.003/0	4.29
HU12-1.00-25	1	1-1/4	1/4	0.275 +0.015/0	1.000 +0/-0.003	1.001 +0.003/0	1.250 +0.003/0	1.000 +0/-0.004	1.249 +0/-0.003	1.250 +0.003/0	4.33
HU12-1.12-12	1-1/8	1-3/8	1/8	0.138 +0.015/0	1.125 +0/-0.003	1.126 +0.003/0	1.375 +0.003/0	1.125 +0/-0.004	1.374 +0/-0.003	1.375 +0.003/0	4.96
HU12-1.25-25	1-1/4	1-1/2	1/4	0.275 +0.015/0	1.250 +0/-0.003	1.251 +0.003/0	1.500 +0.003/0	1.250 +0/-0.004	1.499 +0/-0.003	1.500 +0.003/0	5.03
HU12-1.50-25	1-1/2	1-3/4	1/4	0.275 +0.015/0	1.500 +0/-0.003	1.501 +0.003/0	1.750 +0.003/0	1.500 +0/-0.004	1.749 +0/-0.003	1.750 +0.003/0	9.50
5/32" C/S											
HU15-1.00-21	1	1-5/16	7/32	0.241 +0.015/0	1.000 +0/-0.003	1.001 +0.003/0	1.313 +0.003/0	1.000 +0/-0.004	1.312 +0/-0.003	1.313 +0.003/0	\$ 7.50
HU15-1.37-21	1-3/8	1-11/16	7/32	0.241 +0.015/0	1.375 +0/-0.003	1.376 +0.003/0	1.688 +0.003/0	1.375 +0/-0.004	1.687 +0/-0.003	1.688 +0.003/0	7.75
3/16" C/S											
HU18-0.37-25	3/8	3/4	1/4	0.275 +0.015/0	0.375 +0/-0.003	0.376 +0.003/0	0.750 +0.003/0	0.375 +0/-0.004	0.749 +0/-0.003	0.750 +0.003/0	\$ 8.55
HU18-0.87-25	7/8	1-1/4	1/4	0.275 +0.015/0	0.875 +0/-0.003	0.876 +0.003/0	1.250 +0.003/0	0.875 +0/-0.004	1.249 +0/-0.003	1.250 +0.003/0	4.30
HU18-1.00-25	1	1-3/8	1/4	0.275 +0.015/0	1.000 +0/-0.003	1.001 +0.003/0	1.375 +0.003/0	1.000 +0/-0.004	1.374 +0/-0.003	1.375 +0.003/0	4.37

STYLE HU SYMMETRICAL URETHANE U-SEALS

U-SEALS

Part Number	A NOM. I.D.	B NOM. O.D.	C NOM. HT.	D GROOVE WIDTH	E ROD DIAMETER	F THROAT DIAMETER	G HOUSING DIAMETER	H GROOVE DIAMETER	I PISTON DIAMETER	J BORE DIAMETER	List Price
3/16" C/S											
HU18-1.12-18	1-1/8	1-1/2	3/16	0.207 +0.015/0	1.125 +0/-0.003	1.126 +0.003/0	1.500 +0.003/0	1.125 +0/-0.004	1.499 +0/-0.003	1.500 +0.003/0	\$ 6.36
HU18-1.12-25	1-1/8	1-1/2	1/4	0.275 +0.015/0	1.125 +0/-0.003	1.126 +0.003/0	1.500 +0.003/0	1.125 +0/-0.004	1.499 +0/-0.003	1.500 +0.003/0	4.52
HU18-1.25-18	1-1/4	1-5/8	3/16	0.207 +0.015/0	1.250 +0/-0.003	1.251 +0.003/0	1.625 +0.003/0	1.250 +0/-0.004	1.624 +0/-0.003	1.625 +0.003/0	6.31
HU18-1.25-25	1-1/4	1-5/8	1/4	0.275 +0.015/0	1.250 +0/-0.003	1.251 +0.003/0	1.625 +0.003/0	1.250 +0/-0.004	1.624 +0/-0.003	1.625 +0.003/0	4.65
HU18-1.25-31	1-1/4	1-5/8	5/16	0.343 +0.015/0	1.250 +0/-0.003	1.251 +0.003/0	1.625 +0.003/0	1.250 +0/-0.004	1.624 +0/-0.003	1.625 +0.003/0	4.85
HU18-1.25-37	1-1/4	1-5/8	3/8	0.413 +0.015/0	1.250 +0/-0.003	1.251 +0.003/0	1.625 +0.003/0	1.250 +0/-0.004	1.624 +0/-0.003	1.625 +0.003/0	5.03
HU18-1.37-18	1-3/8	1-3/4	3/16	0.207 +0.015/0	1.375 +0/-0.003	1.376 +0.003/0	1.750 +0.003/0	1.375 +0/-0.004	1.749 +0/-0.003	1.750 +0.003/0	6.52
HU18-1.50-25	1-1/2	1-7/8	1/4	0.275 +0.015/0	1.500 +0/-0.003	1.501 +0.003/0	1.875 +0.003/0	1.500 +0/-0.004	1.874 +0/-0.003	1.875 +0.003/0	5.82
HU18-1.50-31	1-1/2	1-7/8	5/16	0.343 +0.015/0	1.500 +0/-0.003	1.501 +0.003/0	1.875 +0.003/0	1.500 +0/-0.004	1.874 +0/-0.003	1.875 +0.003/0	5.84
HU18-1.62-18	1-5/8	2	3/16	0.207 +0.015/0	1.625 +0/-0.003	1.626 +0.003/0	2.000 +0.003/0	1.625 +0/-0.004	1.999 +0/-0.003	2.000 +0.003/0	6.91
HU18-1.62-31	1-5/8	2	5/16	0.343 +0.015/0	1.625 +0/-0.003	1.626 +0.003/0	2.000 +0.003/0	1.625 +0/-0.004	1.999 +0/-0.003	2.000 +0.003/0	5.92
HU18-1.75-18	1-3/4	2-1/8	3/16	0.207 +0.015/0	1.750 +0/-0.003	1.751 +0.003/0	2.125 +0.003/0	1.750 +0/-0.004	2.124 +0/-0.003	2.125 +0.003/0	7.09
HU18-1.75-25	1-3/4	2-1/8	1/4	0.275 +0.015/0	1.750 +0/-0.003	1.751 +0.003/0	2.125 +0.003/0	1.750 +0/-0.004	2.124 +0/-0.003	2.125 +0.003/0	6.02
HU18-1.75-37	1-3/4	2-1/8	3/8	0.413 +0.015/0	1.750 +0/-0.003	1.751 +0.003/0	2.125 +0.003/0	1.750 +0/-0.004	2.124 +0/-0.003	2.125 +0.003/0	6.12
HU18-2.00-18	2	2-3/8	3/16	0.207 +0.015/0	2.000 +0/-0.003	2.001 +0.003/0	2.375 +0.003/0	2.000 +0/-0.004	2.374 +0/-0.003	2.375 +0.003/0	7.48
HU18-2.00-25	2	2-3/8	1/4	0.275 +0.015/0	2.000 +0/-0.003	2.001 +0.003/0	2.375 +0.003/0	2.000 +0/-0.004	2.374 +0/-0.003	2.375 +0.003/0	6.26
HU18-2.00-31	2	2-3/8	5/16	0.343 +0.015/0	2.000 +0/-0.003	2.001 +0.003/0	2.375 +0.003/0	2.000 +0/-0.004	2.374 +0/-0.003	2.375 +0.003/0	6.40
HU18-2.00-37	2	2-3/8	3/8	0.413 +0.015/0	2.000 +0/-0.003	2.001 +0.003/0	2.375 +0.003/0	2.000 +0/-0.004	2.374 +0/-0.003	2.375 +0.003/0	6.87
HU18-2.12-18	2-1/8	2-1/2	3/16	0.207 +0.015/0	2.125 +0/-0.003	2.126 +0.003/0	2.500 +0.003/0	2.125 +0/-0.004	2.499 +0/-0.003	2.500 +0.003/0	7.62
HU18-2.12-37	2-1/8	2-1/2	3/8	0.413 +0.015/0	2.125 +0/-0.003	2.126 +0.003/0	2.500 +0.003/0	2.125 +0/-0.004	2.499 +0/-0.003	2.500 +0.003/0	7.74
HU18-2.50-25	2-1/2	2-7/8	1/4	0.275 +0.015/0	2.500 +0/-0.003	2.501 +0.003/0	2.875 +0.003/0	2.500 +0/-0.004	2.874 +0/-0.003	2.875 +0.003/0	7.83
HU18-2.50-37	2-1/2	2-7/8	3/8	0.413 +0.015/0	2.500 +0/-0.003	2.501 +0.003/0	2.875 +0.003/0	2.500 +0/-0.004	2.874 +0/-0.003	2.875 +0.003/0	7.95
HU18-2.62-37	2-5/8	3	3/8	0.413 +0.015/0	2.625 +0/-0.003	2.626 +0.003/0	3.000 +0.003/0	2.625 +0/-0.004	2.999 +0/-0.003	3.000 +0.003/0	8.32
HU18-3.00-18	3	3-3/8	3/16	0.207 +0.015/0	3.000 +0/-0.003	3.001 +0.003/0	3.375 +0.003/0	3.000 +0/-0.004	3.374 +0/-0.003	3.375 +0.003/0	9.30
HU18-3.12-37	3-1/8	3-1/2	3/8	0.413 +0.015/0	3.125 +0/-0.003	3.126 +0.003/0	3.500 +0.003/0	3.125 +0/-0.004	3.499 +0/-0.003	3.500 +0.003/0	9.45
HU18-3.62-37	3-5/8	4	3/8	0.413 +0.015/0	3.625 +0/-0.003	3.626 +0.003/0	4.000 +0.003/0	3.625 +0/-0.004	3.999 +0/-0.003	4.000 +0.003/0	12.04
HU18-3.87-18	3-7/8	4-1/4	3/16	0.207 +0.015/0	3.875 +0/-0.003	3.876 +0.003/0	4.250 +0.003/0	3.875 +0/-0.004	4.249 +0/-0.003	4.250 +0.003/0	13.37
7/32" C/S											
HU21-2.81-28	2-13/16	3-1/4	9/32	0.309 +0.015/0	2.812 +0/-0.003	2.813 +0.003/0	3.250 +0.003/0	2.812 +0/-0.004	3.249 +0/-0.003	3.250 +0.003/0	\$ 18.41
HU21-2.50-28	2-1/2	2-15/16	9/32	0.309 +0.015/0	2.500 +0/-0.003	2.501 +0.003/0	2.938 +0.003/0	2.500 +0/-0.004	2.937 +0/-0.003	2.938 +0.003/0	16.42
HU21-3.00-28	3	3-7/16	9/32	0.309 +0.015/0	3.000 +0/-0.003	3.001 +0.003/0	3.438 +0.003/0	3.000 +0/-0.004	3.437 +0/-0.003	3.438 +0.003/0	19.39
1/4" C/S											
HU25-0.93-56	15/16	1-7/16	9/16	0.619 +0.015/0	0.938 +0/-0.003	0.939 +0.003/0	1.438 +0.003/0	0.938 +0/-0.004	1.437 +0/-0.003	1.438 +0.003/0	\$ 11.33
HU25-1.00-25	1	1-1/2	1/4	0.275 +0.015/0	1.000 +0/-0.003	1.001 +0.003/0	1.500 +0.003/0	1.000 +0/-0.004	1.499 +0/-0.003	1.500 +0.003/0	4.37
HU25-1.00-31	1	1-1/2	5/16	0.343 +0.015/0	1.000 +0/-0.003	1.001 +0.003/0	1.500 +0.003/0	1.000 +0/-0.004	1.499 +0/-0.003	1.500 +0.003/0	4.74
HU25-1.00-37	1	1-1/2	3/8	0.413 +0.015/0	1.000 +0/-0.003	1.001 +0.003/0	1.500 +0.003/0	1.000 +0/-0.004	1.499 +0/-0.003	1.500 +0.003/0	4.80
HU25-1.12-25	1-1/8	1-5/8	1/4	0.275 +0.015/0	1.125 +0/-0.003	1.126 +0.003/0	1.625 +0.003/0	1.125 +0/-0.004	1.624 +0/-0.003	1.625 +0.003/0	6.52
HU25-1.25-25	1-1/4	1-3/4	1/4	0.275 +0.015/0	1.250 +0/-0.003	1.251 +0.003/0	1.750 +0.003/0	1.250 +0/-0.004	1.749 +0/-0.003	1.750 +0.003/0	5.01
HU25-1.25-37	1-1/4	1-3/4	3/8	0.413 +0.015/0	1.250 +0/-0.003	1.251 +0.003/0	1.750 +0.003/0	1.250 +0/-0.004	1.749 +0/-0.003	1.750 +0.003/0	5.03
HU25-1.37-37	1-3/8	1-7/8	3/8	0.413 +0.015/0	1.375 +0/-0.003	1.376 +0.003/0	1.875 +0.003/0	1.375 +0/-0.004	1.874 +0/-0.003	1.875 +0.003/0	5.30

STYLE HU SYMMETRICAL URETHANE U-SEALS



U-SEALS

Part Number	A NOM. I.D.	B NOM. O.D.	C NOM. HT.	D GROOVE WIDTH	E ROD DIAMETER	F THROAT DIAMETER	G HOUSING DIAMETER	H GROOVE DIAMETER	I PISTON DIAMETER	J BORE DIAMETER	List Price
1/4" C/S											
HU25-1.50-31	1-1/2	2	5/16	0.343 +0.015/0	1.500 +0/-0.003	1.501 +0.003/0	2.000 +0.003/0	1.500 +0/-0.004	1.999 +0/-0.003	2.000 +0.003/0	\$ 5.67
HU25-1.50-37	1-1/2	2	3/8	0.413 +0.015/0	1.500 +0/-0.003	1.501 +0.003/0	2.000 +0.003/0	1.500 +0/-0.004	1.999 +0/-0.003	2.000 +0.003/0	5.67
HU25-1.75-25	1-3/4	2-1/4	1/4	0.275 +0.015/0	1.750 +0/-0.003	1.751 +0.003/0	2.250 +0.003/0	1.750 +0/-0.004	2.249 +0/-0.003	2.250 +0.003/0	8.48
HU25-1.75-37	1-3/4	2-1/4	3/8	0.413 +0.015/0	1.750 +0/-0.003	1.751 +0.003/0	2.250 +0.003/0	1.750 +0/-0.004	2.249 +0/-0.003	2.250 +0.003/0	6.46
HU25-2.00-25	2	2-1/2	1/4	0.275 +0.015/0	2.000 +0/-0.003	2.001 +0.003/0	2.500 +0.003/0	2.000 +0/-0.004	2.499 +0/-0.003	2.500 +0.003/0	6.52
HU25-2.00-31	2	2-1/2	5/16	0.343 +0.015/0	2.000 +0/-0.003	2.001 +0.003/0	2.500 +0.003/0	2.000 +0/-0.004	2.499 +0/-0.003	2.500 +0.003/0	6.73
HU25-2.00-37	2	2-1/2	3/8	0.413 +0.015/0	2.000 +0/-0.003	2.001 +0.003/0	2.500 +0.003/0	2.000 +0/-0.004	2.499 +0/-0.003	2.500 +0.003/0	7.08
HU25-2.00-50	2	2-1/2	1/2	0.550 +0.015/0	2.000 +0/-0.003	2.001 +0.003/0	2.500 +0.003/0	2.000 +0/-0.004	2.499 +0/-0.003	2.500 +0.003/0	7.24
HU25-2.25-25	2-1/4	2-3/4	1/4	0.275 +0.015/0	2.250 +0/-0.003	2.251 +0.003/0	2.750 +0.003/0	2.250 +0/-0.004	2.749 +0/-0.003	2.750 +0.003/0	10.29
HU25-2.25-37	2-1/4	2-3/4	3/8	0.413 +0.015/0	2.250 +0/-0.003	2.251 +0.003/0	2.750 +0.003/0	2.250 +0/-0.004	2.749 +0/-0.003	2.750 +0.003/0	8.15
HU25-2.50-25	2-1/2	3	1/4	0.275 +0.015/0	2.500 +0/-0.003	2.501 +0.003/0	3.000 +0.003/0	2.500 +0/-0.004	2.999 +0/-0.003	3.000 +0.003/0	9.03
HU25-2.50-37	2-1/2	3	3/8	0.413 +0.015/0	2.500 +0/-0.003	2.501 +0.003/0	3.000 +0.003/0	2.500 +0/-0.004	2.999 +0/-0.003	3.000 +0.003/0	9.20
HU25-2.62-37	2-5/8	3-1/8	3/8	0.413 +0.015/0	2.625 +0/-0.003	2.626 +0.003/0	3.125 +0.003/0	2.625 +0/-0.004	3.124 +0/-0.003	3.125 +0.003/0	9.06
HU25-2.75-25	2-3/4	3-1/4	1/4	0.275 +0.015/0	2.750 +0/-0.003	2.751 +0.003/0	3.250 +0.003/0	2.750 +0/-0.004	3.249 +0/-0.003	3.250 +0.003/0	9.38
HU25-2.75-37	2-3/4	3-1/4	3/8	0.413 +0.015/0	2.750 +0/-0.003	2.751 +0.003/0	3.250 +0.003/0	2.750 +0/-0.004	3.249 +0/-0.003	3.250 +0.003/0	9.73
HU25-2.87-37	2-7/8	3-3/8	3/8	0.413 +0.015/0	2.875 +0/-0.003	2.876 +0.003/0	3.375 +0.003/0	2.875 +0/-0.004	3.374 +0/-0.003	3.375 +0.003/0	9.41
HU25-3.00-25	3	3-1/2	1/4	0.275 +0.015/0	3.000 +0/-0.003	3.001 +0.003/0	3.500 +0.003/0	3.000 +0/-0.004	3.499 +0/-0.003	3.500 +0.003/0	9.85
HU25-3.00-37	3	3-1/2	3/8	0.413 +0.015/0	3.000 +0/-0.003	3.001 +0.003/0	3.500 +0.003/0	3.000 +0/-0.004	3.499 +0/-0.003	3.500 +0.003/0	10.20
HU25-3.25-31	3-1/4	3-3/4	5/16	0.343 +0.015/0	3.250 +0/-0.003	3.251 +0.003/0	3.750 +0.003/0	3.250 +0/-0.004	3.749 +0/-0.003	3.750 +0.003/0	10.51
HU25-3.25-37	3-1/4	3-3/4	3/8	0.413 +0.015/0	3.250 +0/-0.003	3.251 +0.003/0	3.750 +0.003/0	3.250 +0/-0.004	3.749 +0/-0.003	3.750 +0.003/0	11.28
HU25-3.37-37	3-3/8	3-7/8	3/8	0.413 +0.015/0	3.375 +0/-0.003	3.376 +0.003/0	3.875 +0.003/0	3.375 +0/-0.004	3.874 +0/-0.003	3.875 +0.003/0	11.93
HU25-3.50-31	3-1/2	4	5/16	0.344 +0.015/0	3.500 +0/-0.003	3.501 +0.003/0	4.000 +0.003/0	3.500 +0/-0.004	3.999 +0/-0.003	4.000 +0.003/0	20.30
HU25-3.50-37	3-1/2	4	3/8	0.413 +0.015/0	3.500 +0/-0.003	3.501 +0.003/0	4.000 +0.003/0	3.500 +0/-0.004	3.999 +0/-0.003	4.000 +0.003/0	11.99
HU25-3.50-50	3-1/2	4	1/2	0.550 +0.015/0	3.500 +0/-0.003	3.501 +0.003/0	4.000 +0.003/0	3.500 +0/-0.004	3.999 +0/-0.003	4.000 +0.003/0	12.20
HU25-3.75-37	3-3/4	4-1/4	3/8	0.413 +0.015/0	3.750 +0/-0.003	3.751 +0.003/0	4.250 +0.003/0	3.750 +0/-0.004	4.249 +0/-0.003	4.250 +0.003/0	12.45
HU25-4.00-25	4	4-1/2	1/4	0.275 +0.015/0	4.000 +0/-0.003	4.001 +0.003/0	4.500 +0.003/0	4.000 +0/-0.004	4.499 +0/-0.003	4.500 +0.003/0	17.10
HU25-4.00-31	4	4-1/2	5/16	0.344 +0.015/0	4.000 +0/-0.003	4.001 +0.003/0	4.500 +0.003/0	4.000 +0/-0.004	4.499 +0/-0.003	4.500 +0.003/0	22.74
HU25-4.00-37	4	4-1/2	3/8	0.413 +0.015/0	4.000 +0/-0.003	4.001 +0.003/0	4.500 +0.003/0	4.000 +0/-0.004	4.499 +0/-0.003	4.500 +0.003/0	13.19
HU25-4.00-50	4	4-1/2	1/2	0.550 +0.015/0	4.000 +0/-0.003	4.001 +0.003/0	4.500 +0.003/0	4.000 +0/-0.004	4.499 +0/-0.003	4.500 +0.003/0	12.70
HU25-4.00-56	4	4-1/2	9/16	0.619 +0.015/0	4.000 +0/-0.003	4.001 +0.003/0	4.500 +0.003/0	4.000 +0/-0.004	4.499 +0/-0.003	4.500 +0.003/0	13.49
HU25-4.25-25	4-1/4	4-3/4	1/4	0.275 +0.015/0	4.250 +0/-0.003	4.251 +0.003/0	4.750 +0.003/0	4.250 +0/-0.004	4.749 +0/-0.003	4.750 +0.003/0	18.00
HU25-4.50-25	4-1/2	5	1/4	0.275 +0.015/0	4.500 +0/-0.003	4.501 +0.003/0	5.000 +0.003/0	4.500 +0/-0.004	4.999 +0/-0.003	5.000 +0.003/0	28.46
HU25-4.50-31	4-1/2	5	5/16	0.344 +0.015/0	4.500 +0/-0.003	4.501 +0.003/0	5.000 +0.003/0	4.500 +0/-0.004	4.999 +0/-0.003	5.000 +0.003/0	28.91
HU25-4.50-37	4-1/2	5	3/8	0.413 +0.015/0	4.500 +0/-0.003	4.501 +0.003/0	5.000 +0.003/0	4.500 +0/-0.004	4.999 +0/-0.003	5.000 +0.003/0	15.74
HU25-4.50-50	4-1/2	5	1/2	0.550 +0.015/0	4.500 +0/-0.003	4.501 +0.003/0	5.000 +0.003/0	4.500 +0/-0.004	4.999 +0/-0.003	5.000 +0.003/0	15.74
HU25-4.50-56	4-1/2	5	9/16	0.619 +0.015/0	4.500 +0/-0.003	4.501 +0.003/0	5.000 +0.003/0	4.500 +0/-0.004	4.999 +0/-0.003	5.000 +0.003/0	15.74
HU25-4.75-25	4-3/4	5-1/4	1/4	0.275 +0.015/0	4.750 +0/-0.003	4.751 +0.003/0	5.250 +0.003/0	4.750 +0/-0.004	5.249 +0/-0.003	5.250 +0.003/0	27.41
HU25-5.00-25	5	5-1/2	1/4	0.275 +0.015/0	5.000 +0/-0.003	5.001 +0.003/0	5.500 +0.003/0	5.000 +0/-0.004	5.499 +0/-0.003	5.500 +0.003/0	25.00
HU25-5.00-37	5	5-1/2	3/8	0.413 +0.015/0	5.000 +0/-0.003	5.001 +0.003/0	5.500 +0.003/0	5.000 +0/-0.004	5.499 +0/-0.003	5.500 +0.003/0	31.62
HU25-5.00-56	5	5-1/2	9/16	0.619 +0.015/0	5.000 +0/-0.003	5.001 +0.003/0	5.500 +0.003/0	5.000 +0/-0.004	5.499 +0/-0.003	5.500 +0.003/0	31.62

STYLE HU SYMMETRICAL URETHANE U-SEALS

U-SEALS

Part Number	A NOM. I.D.	B NOM. O.D.	C NOM. HT.	D GROOVE WIDTH	E ROD DIAMETER	F THROAT DIAMETER	G HOUSING DIAMETER	H GROOVE DIAMETER	I PISTON DIAMETER	J BORE DIAMETER	List Price
1/4" C/S											
HU25-5.50-25	5-1/2	6	1/4	0.275 +0.015/0	5.500 +0/-0.003	5.501 +0.003/0	6.000 +0.003/0	5.500 +0/-0.004	5.999 +0/-0.003	6.000 +0.003/0	\$ 27.30
HU25-5.50-37	5-1/2	6	3/8	0.413 +0.015/0	5.500 +0/-0.003	5.501 +0.003/0	6.000 +0.003/0	5.500 +0/-0.004	5.999 +0/-0.003	6.000 +0.003/0	27.30
HU25-5.50-56	5-1/2	6	9/16	0.619 +0.015/0	5.500 +0/-0.003	5.501 +0.003/0	6.000 +0.003/0	5.500 +0/-0.004	5.999 +0/-0.003	6.000 +0.003/0	27.30
HU25-5.75-25	5-3/4	6-1/4	1/4	0.275 +0.015/0	5.750 +0/-0.003	5.751 +0.003/0	6.250 +0.003/0	5.750 +0/-0.004	6.249 +0/-0.003	6.250 +0.003/0	27.73
HU25-6.00-56	6	6-1/2	9/16	0.619 +0.015/0	6.000 +0/-0.003	6.001 +0.003/0	6.500 +0.003/0	6.000 +0/-0.004	6.499 +0/-0.003	6.500 +0.003/0	28.77
HU25-6.50-25	6-1/2	7	1/4	0.275 +0.015/0	6.500 +0/-0.003	6.501 +0.003/0	7.000 +0.003/0	6.500 +0/-0.004	6.999 +0/-0.003	7.000 +0.003/0	31.84
9/32" C/S											
HU28-5.00-34	5	5-9/16	11/32	0.309 +0.015/0	5.000 +0/-0.003	5.001 +0.003/0	5.563 +0.003/0	5.000 +0/-0.004	5.562 +0/-0.003	5.563 +0.003/0	\$ 33.23
5/16" C/S											
HU31-1.25-37	1-1/4	1-7/8	3/8	0.413 +0.015/0	1.250 +0/-0.003	1.251 +0.003/0	1.875 +0.003/0	1.250 +0/-0.004	1.874 +0/-0.003	1.875 +0.003/0	\$ 6.46
HU31-1.37-31	1-3/8	2	5/16	0.343 +0.015/0	1.375 +0/-0.003	1.376 +0.003/0	2.000 +0.003/0	1.375 +0/-0.004	1.999 +0/-0.003	2.000 +0.003/0	6.58
HU31-1.75-31	1-3/4	2-3/8	5/16	0.343 +0.015/0	1.750 +0/-0.003	1.751 +0.003/0	2.375 +0.003/0	1.750 +0/-0.004	2.374 +0/-0.003	2.375 +0.003/0	7.30
HU31-2.00-50	2	2-5/8	1/2	0.550 +0.015/0	2.000 +0/-0.003	2.001 +0.003/0	2.625 +0.003/0	2.000 +0/-0.004	2.624 +0/-0.003	2.625 +0.003/0	8.15
HU31-2.25-50	2-1/4	2-7/8	1/2	0.550 +0.015/0	2.250 +0/-0.003	2.251 +0.003/0	2.875 +0.003/0	2.250 +0/-0.004	2.874 +0/-0.003	2.875 +0.003/0	10.04
HU31-2.37-31	2-3/8	3	5/16	0.440 +0.015/0	2.375 +0/-0.003	2.376 +0.003/0	3.000 +0.003/0	2.375 +0/-0.004	2.999 +0/-0.003	3.000 +0.003/0	9.75
HU31-2.50-50	2-1/2	3-1/8	1/2	0.550 +0.015/0	2.500 +0/-0.003	2.501 +0.003/0	3.125 +0.003/0	2.500 +0/-0.004	3.124 +0/-0.003	3.125 +0.003/0	10.41
HU31-3.37-37	3-3/8	4	3/8	0.413 +0.015/0	3.375 +0/-0.003	3.376 +0.003/0	4.000 +0.003/0	3.375 +0/-0.004	3.999 +0/-0.003	4.000 +0.003/0	11.51
HU31-3.87-50	3-7/8	4-1/2	1/2	0.550 +0.015/0	3.875 +0/-0.003	3.876 +0.003/0	4.500 +0.003/0	3.875 +0/-0.004	4.499 +0/-0.003	4.500 +0.003/0	15.05
HU31-5.25-62	5-1/4	5-7/8	5/8	0.688 +0.015/0	5.250 +0/-0.003	5.251 +0.003/0	5.875 +0.003/0	5.250 +0/-0.004	5.874 +0/-0.003	5.875 +0.003/0	21.67
HU31-5.37-37	5-3/8	6	3/8	0.413 +0.015/0	5.375 +0/-0.003	5.376 +0.003/0	6.000 +0.003/0	5.375 +0/-0.004	5.999 +0/-0.003	6.000 +0.003/0	22.25
HU31-5.37-50	5-3/8	6	1/2	0.550 +0.015/0	5.375 +0/-0.003	5.376 +0.003/0	6.000 +0.003/0	5.375 +0/-0.004	5.999 +0/-0.003	6.000 +0.003/0	23.95
HU31-5.37-62	5-3/8	6	5/8	0.688 +0.015/0	5.375 +0/-0.003	5.376 +0.003/0	6.000 +0.003/0	5.375 +0/-0.004	5.999 +0/-0.003	6.000 +0.003/0	24.56
HU31-5.50-37	5-1/2	6-1/8	3/8	0.413 +0.015/0	5.500 +0/-0.003	5.501 +0.003/0	6.125 +0.003/0	5.500 +0/-0.004	6.124 +0/-0.003	6.125 +0.003/0	38.70
HU31-6.50-62	6-1/2	7-1/8	5/8	0.688 +0.015/0	6.500 +0/-0.003	6.501 +0.003/0	7.125 +0.003/0	6.500 +0/-0.004	7.124 +0/-0.003	7.125 +0.003/0	28.87
3/8" C/S											
HU37-2.25-50	2-1/4	3	1/2	0.550 +0.015/0	2.250 +0/-0.003	2.251 +0.003/0	3.000 +0.003/0	2.250 +0/-0.004	2.999 +0/-0.003	3.000 +0.003/0	\$ 12.41
HU37-2.50-37	2-1/2	3-1/4	3/8	0.413 +0.015/1	2.500 +0/-0.004	2.501 +0.003/1	2.500 +0.003/1	2.500 +0/-0.005	3.249 +0/-0.004	3.250 +0.003/1	12.85
HU37-2.62-62	2-5/8	3-3/8	5/8	0.688 +0.015/0	2.625 +0/-0.003	2.626 +0.003/0	3.375 +0.003/0	2.625 +0/-0.004	3.374 +0/-0.003	3.375 +0.003/0	14.54
HU37-2.75-50	2-3/4	3-1/2	1/2	0.550 +0.015/0	2.750 +0/-0.003	2.751 +0.003/0	3.500 +0.003/0	2.750 +0/-0.004	3.499 +0/-0.003	3.500 +0.003/0	14.93
HU37-2.75-62	2-3/4	3-1/2	5/8	0.688 +0.015/0	2.750 +0/-0.003	2.751 +0.003/0	3.500 +0.003/0	2.750 +0/-0.004	3.499 +0/-0.003	3.500 +0.003/0	15.09
HU37-3.00-62	3	3-3/4	5/8	0.688 +0.015/0	3.000 +0/-0.003	3.001 +0.003/0	3.750 +0.003/0	3.000 +0/-0.004	3.749 +0/-0.003	3.750 +0.003/0	16.47
HU37-3.12-62	3-1/8	3-7/8	5/8	0.413 +0.015/0	3.125 +0/-0.003	3.126 +0.003/0	3.875 +0.003/0	3.125 +0/-0.004	3.874 +0/-0.003	3.875 +0.003/0	16.66
HU37-3.25-37	3-1/4	4	3/8	0.413 +0.015/0	3.250 +0/-0.003	3.251 +0.003/0	4.000 +0.003/0	3.250 +0/-0.004	3.999 +0/-0.003	4.000 +0.003/0	16.74
HU37-3.25-50	3-1/4	4	1/2	0.550 +0.015/0	3.250 +0/-0.003	3.251 +0.003/0	4.000 +0.003/0	3.250 +0/-0.004	3.999 +0/-0.003	4.000 +0.003/0	16.74
HU37-3.37-87	3-3/8	4-1/8	7/8	0.963 +0.015/0	3.375 +0/-0.003	3.376 +0.003/0	4.125 +0.003/0	3.375 +0/-0.004	4.124 +0/-0.003	4.125 +0.003/0	36.23
HU37-3.75-50	3-3/4	4-1/2	1/2	0.550 +0.015/0	3.750 +0/-0.003	3.751 +0.003/0	4.500 +0.003/0	3.750 +0/-0.004	4.499 +0/-0.003	4.500 +0.003/0	22.71
HU37-3.75-62	3-3/4	4-1/2	5/8	0.688 +0.015/0	3.750 +0/-0.003	3.751 +0.003/0	4.500 +0.003/0	3.750 +0/-0.004	4.499 +0/-0.003	4.500 +0.003/0	22.71
HU37-4.25-37	4-1/4	5	3/8	0.413 +0.015/0	4.250 +0/-0.003	4.251 +0.003/0	5.000 +0.003/0	4.250 +0/-0.004	4.999 +0/-0.003	5.000 +0.003/0	23.02
HU37-4.25-50	4-1/4	5	1/2	0.550 +0.015/0	4.250 +0/-0.003	4.251 +0.003/0	5.000 +0.003/0	4.250 +0/-0.004	4.999 +0/-0.003	5.000 +0.003/0	21.91
HU37-4.25-62	4-1/4	5	5/8	0.688 +0.015/0	4.250 +0/-0.003	4.251 +0.003/0	5.000 +0.003/0	4.250 +0/-0.004	4.999 +0/-0.003	5.000 +0.003/0	23.02

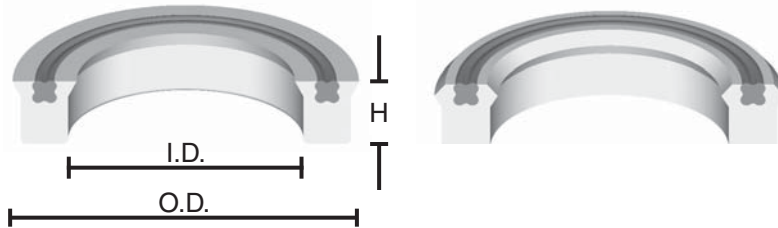
STYLE HU SYMMETRICAL URETHANE U-SEALS



Part Number	A NOM. I.D.	B NOM. O.D.	C NOM. HT.	D GROOVE WIDTH	E ROD DIAMETER	F THROAT DIAMETER	G HOUSING DIAMETER	H GROOVE DIAMETER	I PISTON DIAMETER	J BORE DIAMETER	List Price
HU37-4.37-50	4-3/8	5-1/8	1/2	0.550 +0.015/0	4.375 +0/-0.003	4.376 +0.003/0	5.125 +0.003/0	4.375 +0/-0.004	5.124 +0/-0.003	5.125 +0.003/0	\$ 30.20
3/8" C/S											
HU37-4.50-37	4-1/2	5-1/4	3/8	0.413 +0.015/0	4.500 +0/-0.003	4.501 +0.003/0	5.250 +0.003/0	4.500 +0/-0.004	5.249 +0/-0.003	5.250 +0.003/0	\$ 31.48
HU37-4.50-50	4-1/2	5-1/4	1/2	0.550 +0.015/0	4.500 +0/-0.003	4.501 +0.003/0	5.250 +0.003/0	4.500 +0/-0.004	5.249 +0/-0.003	5.250 +0.003/0	23.93
HU37-4.75-50	4-3/4	5-1/2	1/2	0.550 +0.015/0	4.750 +0/-0.003	4.751 +0.003/0	5.500 +0.003/0	4.750 +0/-0.004	5.499 +0/-0.003	5.500 +0.003/0	23.95
HU37-5.00-37	5	5-3/4	3/8	0.413 +0.015/0	5.000 +0/-0.003	5.001 +0.003/0	5.750 +0.003/0	5.000 +0/-0.004	5.749 +0/-0.003	5.750 +0.003/0	34.57
HU37-5.00-50	5	5-3/4	1/2	0.550 +0.015/0	5.000 +0/-0.003	5.001 +0.003/0	5.750 +0.003/0	5.000 +0/-0.004	5.749 +0/-0.003	5.750 +0.003/0	25.74
HU37-5.25-37	5-1/4	6	3/8	0.413 +0.015/0	5.250 +0/-0.003	5.251 +0.003/0	6.000 +0.003/0	5.250 +0/-0.004	5.999 +0/-0.003	6.000 +0.003/0	25.98
HU37-5.25-50	5-1/4	6	1/2	0.550 +0.015/0	5.250 +0/-0.003	5.251 +0.003/0	6.000 +0.003/0	5.250 +0/-0.004	5.999 +0/-0.003	6.000 +0.003/0	26.82
HU37-5.25-62	5-1/4	6	5/8	0.688 +0.015/0	5.250 +0/-0.003	5.251 +0.003/0	6.000 +0.003/0	5.250 +0/-0.004	5.999 +0/-0.003	6.000 +0.003/0	27.25
HU37-5.50-62	5-1/2	6-1/4	5/8	0.688 +0.015/0	5.500 +0/-0.003	5.501 +0.003/0	6.250 +0.003/0	5.500 +0/-0.004	6.249 +0/-0.003	6.250 +0.003/0	27.82
HU37-6.00-50	6	6-3/4	1/2	0.550 +0.015/0	6.000 +0/-0.003	6.001 +0.003/0	6.750 +0.003/0	6.000 +0/-0.004	6.749 +0/-0.003	6.750 +0.003/0	53.98
HU37-6.00-62	6	6-3/4	5/8	0.688 +0.015/0	6.000 +0/-0.003	6.001 +0.003/0	6.750 +0.003/0	6.000 +0/-0.004	6.749 +0/-0.003	6.750 +0.003/0	51.75
HU37-6.25-37	6-1/4	7	3/8	0.413 +0.015/0	6.250 +0/-0.003	6.251 +0.003/0	7.000 +0.003/0	6.250 +0/-0.004	6.999 +0/-0.003	7.000 +0.003/0	29.62
HU37-6.25-50	6-1/4	7	1/2	0.550 +0.015/0	6.250 +0/-0.003	6.251 +0.003/0	7.000 +0.003/0	6.250 +0/-0.004	6.999 +0/-0.003	7.000 +0.003/0	31.49
HU37-6.25-62	6-1/4	7	5/8	0.688 +0.015/0	6.250 +0/-0.003	6.251 +0.003/0	7.000 +0.003/0	6.250 +0/-0.004	6.999 +0/-0.003	7.000 +0.003/0	32.08
HU37-6.50-37	6-1/2	7-1/4	3/8	0.413 +0.015/0	6.500 +0/-0.003	6.501 +0.003/0	7.250 +0.003/0	6.500 +0/-0.004	7.249 +0/-0.003	7.250 +0.003/0	47.40
HU37-6.50-62	6-1/2	7-1/4	5/8	0.688 +0.015/0	6.500 +0/-0.003	6.501 +0.003/0	7.250 +0.003/0	6.500 +0/-0.004	7.249 +0/-0.003	7.250 +0.003/0	32.67
HU37-7.25-37	7-1/4	8	3/8	0.413 +0.015/0	7.250 +0/-0.003	7.251 +0.003/0	8.000 +0.003/0	7.250 +0/-0.004	7.999 +0/-0.003	8.000 +0.003/0	47.38
HU37-7.25-62	7-1/4	8	5/8	0.688 +0.015/0	7.250 +0/-0.003	7.251 +0.003/0	8.000 +0.003/0	7.250 +0/-0.004	7.999 +0/-0.003	8.000 +0.003/0	32.98
1/2" C/S											
HU50-3.00-50	3	4	1/2	0.550 +0.015/0	3.000 +0/-0.003	3.001 +0.003/0	4.000 +0.003/0	3.000 +0/-0.004	3.999 +0/-0.003	4.000 +0.003/0	\$ 30.01
HU50-4.00-50	4	5	1/2	0.550 +0.015/0	4.000 +0/-0.003	4.001 +0.003/0	5.000 +0.003/0	4.000 +0/-0.004	4.999 +0/-0.003	5.000 +0.003/0	38.57
HU50-4.00-62	4	5	5/8	0.688 +0.015/0	4.000 +0/-0.003	4.001 +0.003/0	5.000 +0.003/0	4.000 +0/-0.004	4.999 +0/-0.003	5.000 +0.003/0	38.57
HU50-5.00-50	5	6	1/2	0.550 +0.015/0	5.000 +0/-0.003	5.001 +0.003/0	6.000 +0.003/0	5.000 +0/-0.004	5.999 +0/-0.003	6.000 +0.003/0	47.11
HU50-5.00-75	5	6	3/4	0.825 +0.015/0	5.000 +0/-0.003	5.001 +0.003/0	6.000 +0.003/0	5.000 +0/-0.004	5.999 +0/-0.003	6.000 +0.003/0	35.69
HU50-6.00-50	6	7	1/2	0.550 +0.015/0	6.000 +0/-0.003	6.001 +0.003/0	7.000 +0.003/0	6.000 +0/-0.004	6.999 +0/-0.003	7.000 +0.003/0	80.57

STYLE UPU PREMIUM U-SEALS

Style UPU Premium U-Seals are molded from ultra tough urethane for severe service conditions. They feature higher tensile strength and modulus for extrusion resistance. These seals are used in high energy services such as rock drills and shock absorbing devices where high internal heat is generated.



SEAL INFORMATION	
MATERIAL	93A URETHANE
TEMPERATURE RANGE	-65° TO +300° F
PRESSURE RANGE	0 TO 5,000 PSI
PART NUMBER	(Prefix)(CS) - (Inside Dia) - (Height)

U-SEALS



Standard -
Height and cross section are equal, thus giving a square seal. Utilizes type "D" lip
Typical Part Number UPU25-2.50



Deep -
Utilizes the same "D" lip, but the seal height is greater than the cross section, thus giving a rectangular shape.
Typical Part Number UPU25-2.50-37D



Type SQB -
Same dimensions as the Standard seal. Beveled lip design provides better film breaking. Utilizes type "B" lip.
Typical Part Number UPU25-2.50-SQB



Type B -
Same dimensions as the Deep seal. Beveled lip design provides better film breaking. Utilizes type "B" lip.
Typical Part Number UPU25-2.50-37B

Part Number	I.D.	O.D.	H.	List Price
1/8" C/S				
UPU12-0.25	1/4	1/2	1/8	\$ 14.79
UPU12-0.37	3/8	5/8	1/8	14.79
UPU12-0.50	1/2	3/4	1/8	15.51
UPU12-0.50-25B	1/2	3/4	1/4	16.32
UPU12-0.62	5/8	7/8	1/8	16.82
UPU12-0.62-25B	5/8	7/8	1/4	16.94
UPU12-0.75	3/4	1	1/8	17.18
UPU12-0.75-25B	3/4	1	1/4	17.57
UPU12-0.87	7/8	1-1/8	1/8	16.42
UPU12-1.00-25B	1	1-1/4	1/4	18.96
UPU12-1.25	1-1/4	1-1/2	1/8	18.61
UPU12-1.37-25D	1-3/8	1-5/8	1/4	25.53
UPU12-1.50	1-1/2	1-3/4	1/8	19.98
5/32" C/S				
UPU15-1.00	1	1-5/16	5/32	\$ 20.03
UPU15-1.37	1-3/8	1-11/16	5/32	22.64
3/16" C/S				
UPU18-1.00	1	1-3/8	3/16	\$ 20.18
UPU18-1.00-31B	1	1-3/8	5/16	20.27
UPU18-1.12	1-1/8	1-1/2	3/16	20.97
UPU18-1.12-31B	1-1/8	1-1/2	5/16	21.21
UPU18-1.25	1-1/4	1-5/8	1/8	20.01
UPU18-1.25-31B	1-1/4	1-5/8	5/16	21.82

Part Number	I.D.	O.D.	H.	List Price
3/16" C/S				
UPU18-1.37	1-3/8	1-3/4	3/16	\$ 22.64
UPU18-1.37-25B	1-3/8	1-3/4	1/4	24.06
UPU18-1.37-31B	1-3/8	1-3/4	5/16	22.91
UPU18-1.50	1-1/2	1-7/8	3/16	23.32
UPU18-1.50-37B	1-1/2	1-7/8	3/8	23.36
UPU18-1.62	1-5/8	2	3/16	23.07
UPU18-1.62-37B	1-5/8	2	3/8	24.93
UPU18-1.75	1-3/4	2-1/8	3/16	23.79
UPU18-1.75-37B	1-3/4	2-1/8	3/8	26.38
UPU18-2.00	2	2-3/8	3/16	24.54
UPU18-2.00-37B	2	2-3/8	3/8	29.40
UPU18-2.12	2-1/8	2-1/2	3/16	25.29
UPU18-2.12-37B	2-1/8	2-1/2	3/8	30.54
UPU18-2.50	2-1/2	2-7/8	3/16	30.84
UPU18-2.50-37B	2-1/2	2-7/8	3/8	35.51
UPU18-2.87	2-7/8	3-1/4	3/16	32.74
UPU18-3.00-37B	3	3-3/8	3/8	45.13
UPU18-3.50-37B	3-1/2	3-7/8	3/8	51.14
1/4" C/S				
UPU25-0.62	5/8	1-1/8	1/4	\$ 20.15
UPU25-0.75-37B	3/4	1-1/4	3/8	21.27
UPU25-1.00	1	1-1/2	1/4	21.32
UPU25-1.25	1-1/4	1-3/4	1/4	20.26

STYLE UPU PREMIUM U-SEALS



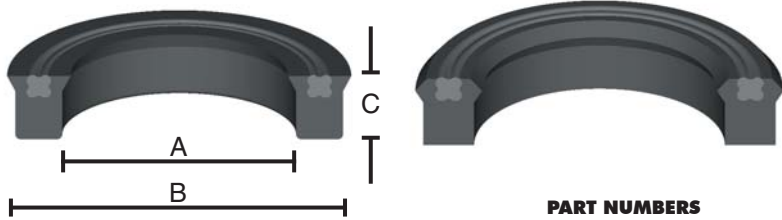
Part Number	I.D.	O.D.	H.	List Price
1/4" C/S				
UPU25-1.25-37B	1-1/4	1-3/4	3/8	\$ 22.84
UPU25-1.50	1-1/2	2	1/4	23.83
UPU25-1.50-37B	1-1/2	2	3/8	27.08
UPU25-1.75	1-3/4	2-1/4	1/4	26.63
UPU25-1.75-37B	1-3/4	2-1/4	3/8	29.56
UPU25-2.00-37B	2	2-1/2	3/8	32.19
UPU25-2.00-37D	2	2-1/2	3/8	32.19
UPU25-2.25-37B	2-1/4	2-3/4	3/8	36.28
UPU25-2.50	2-1/2	3	1/4	35.68
UPU25-2.50-37B	2-1/2	3	3/8	39.84
UPU25-2.75	2-3/4	3-1/4	1/4	38.66
UPU25-2.75-37B	2-3/4	3-1/4	3/8	43.57
UPU25-3.00	3	3-1/2	1/4	41.64
UPU25-3.00-37B	3	3-1/2	3/8	47.04
UPU25-3.50	3-1/2	4	1/4	50.13
UPU25-3.50-37B	3-1/2	4	3/8	54.33
UPU25-4.00	4	4-1/2	1/4	56.40
UPU25-4.00-56B	4	4-1/2	9/16	62.60
UPU25-4.50	4-1/2	5	1/4	59.80
UPU25-5.00-37B	5	5-1/2	3/8	85.66

Part Number	I.D.	O.D.	H.	List Price
5/16" C/S				
UPU31-1.00	1	1-5/8	5/16	\$ 27.04
UPU31-1.25	1-1/4	1-7/8	5/16	27.95
UPU31-1.37	1-3/8	2	5/16	29.02
UPU31-1.37-50B	1-3/8	2	1/2	29.73
UPU31-1.75-50B	1-3/4	2-3/8	1/2	36.87
UPU31-2.00-50B	2	2-5/8	1/2	38.89
UPU31-2.25	2-1/4	2-7/8	5/16	40.78
UPU31-2.37	2-3/8	3	5/16	40.86
UPU31-2.50	2-1/2	3-1/8	5/16	37.81
UPU31-3.00	3	3-5/8	5/16	52.40
UPU31-4.37	4-3/8	5	5/16	69.08
UPU31-5.37	5-3/8	6	5/16	85.74
3/8" C/S				
UPU37-3.00-62B	3	3-3/4	5/8	\$ 76.45
UPU37-3.50-62B	3-1/2	4-1/4	5/8	86.96
UPU37-4.50-62B	4-1/2	5-1/4	5/8	107.94
UPU37-4.75-62B	4-3/4	5-1/2	5/8	112.98
UPU37-5.00-62B	5	5-3/4	5/8	118.30
UPU37-5.25	5-1/4	6	3/8	114.37
1/2" C/S				
UPU50-5.00	5	6	1/2	\$ 148.31

U-SEALS

STYLE 800 POLYURETHANE U-SEALS

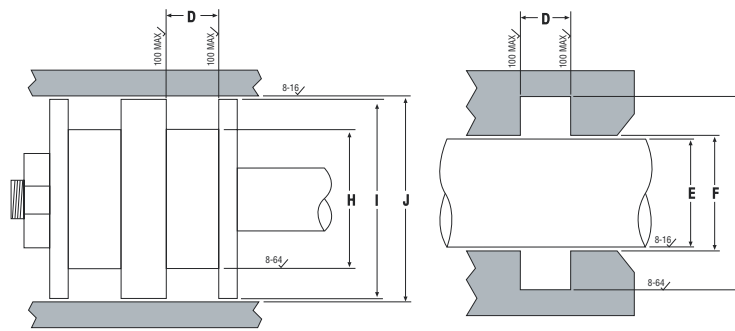
Style 800 U-seals are molded from tough, abrasion-resistant polyurethane. The four lobed expander ring energizes the sealing lips, even at zero pressure, to help prevent "weeping" when the system is idle.



PART NUMBERS

U 12 - 0.18 - 25B
 Type of Seal Cross Section Inside Diameter Height

SEAL INFORMATION	
MATERIAL	95A URETHANE
TEMPERATURE RANGE	-65° TO +220° F
PRESSURE RANGE	0 TO 5,000 PSI
PART NUMBER	(Prefix)(CS) - (Inside Dia) - (Height)



Standard -
 Height and cross section are equal, thus giving a square seal. Utilizes type "D" lip
 Typical Part Number U25-2.50



Deep -
 Utilizes the same "D" lip, but the seal height is greater than the cross section, thus giving a rectangular shape.
 Typical Part Number U25-2.50-37D



Type SQB -
 Same dimensions as the Standard seal. Beveled lip design provides better film breaking. Utilizes type "B" lip.
 Typical Part Number U25-2.50-SQB



Type B -
 Same dimensions as the Deep seal. Beveled lip design provides better film breaking. Utilizes type "B" lip.
 Typical Part Number U25-2.50-37B

Part Number	A NOM. I.D.	B NOM. O.D.	C NOM. HT.	D GROOVE WIDTH	E ROD DIAMETER	F THROAT DIAMETER	G HOUSING DIAMETER	H GROOVE DIAMETER	I PISTON DIAMETER	J BORE DIAMETER	List Price
1/8" C/S											
U12-0.12	1/8	3/8	1/8	0.138 +0.01/0	0.125 +0/-0.001	0.126 +0.002/0	0.375 +0.002/0	0.125 +0/-0.001	0.374 +0/-0.001	0.375 +0.002/0	\$ 3.48
U12-0.14	9/64	25/64	1/8	0.138 +0.01/0	0.141 +0/-0.001	0.142 +0.002/0	0.391 +0.002/0	0.141 +0/-0.001	0.390 +0/-0.001	0.391 +0.002/0	3.48
U12-0.18	3/16	7/16	1/8	0.138 +0.01/0	0.188 +0/-0.001	0.189 +0.002/0	0.437 +0.002/0	0.188 +0/-0.001	0.436 +0/-0.001	0.437 +0.002/0	3.48
U12-0.18-25B	3/16	7/16	1/4	0.275 +0.01/0	0.188 +0/-0.001	0.189 +0.002/0	0.437 +0.002/0	0.188 +0/-0.001	0.436 +0/-0.001	0.437 +0.002/0	3.59
U12-0.18-SQB	3/16	7/16	1/8	0.138 +0.01/0	0.188 +0/-0.001	0.189 +0.002/0	0.437 +0.002/0	0.188 +0/-0.001	0.436 +0/-0.001	0.437 +0.002/0	3.48
U12-0.25	1/4	1/2	1/8	0.138 +0.01/0	0.250 +0/-0.001	0.251 +0.002/0	0.500 +0.002/0	0.250 +0/-0.001	0.499 +0/-0.001	0.500 +0.002/0	3.62
U12-0.25-25B	1/4	1/2	1/4	0.275 +0.01/0	0.250 +0/-0.001	0.251 +0.002/0	0.500 +0.002/0	0.250 +0/-0.001	0.499 +0/-0.001	0.500 +0.002/0	3.69
U12-0.25-SQB	1/4	1/2	1/8	0.138 +0.01/0	0.250 +0/-0.001	0.251 +0.002/0	0.500 +0.002/0	0.250 +0/-0.001	0.499 +0/-0.001	0.500 +0.002/0	3.48
U12-0.28-25B	9/32	17/32	1/4	0.275 +0.01/0	0.281 +0/-0.001	0.282 +0.002/0	0.531 +0.002/0	0.281 +0/-0.001	0.530 +0/-0.001	0.531 +0.002/0	3.89
U12-0.31	5/16	9/16	1/8	0.138 +0.01/0	0.312 +0/-0.001	0.313 +0.002/0	0.563 +0.002/0	0.312 +0/-0.001	0.562 +0/-0.001	0.563 +0.002/0	3.76
U12-0.31-25B	5/16	9/16	1/4	0.275 +0.01/0	0.312 +0/-0.001	0.313 +0.002/0	0.563 +0.002/0	0.312 +0/-0.001	0.562 +0/-0.001	0.563 +0.002/0	3.93
U12-0.31-SQB	5/16	9/16	1/8	0.138 +0.01/0	0.312 +0/-0.001	0.313 +0.002/0	0.563 +0.002/0	0.312 +0/-0.001	0.562 +0/-0.001	0.563 +0.002/0	3.48
U12-0.37	3/8	5/8	1/8	0.138 +0.01/0	0.375 +0/-0.001	0.376 +0.002/0	0.625 +0.002/0	0.375 +0/-0.001	0.624 +0/-0.001	0.625 +0.002/0	3.89
U12-0.37-25B	3/8	5/8	1/4	0.275 +0.01/0	0.375 +0/-0.001	0.376 +0.002/0	0.625 +0.002/0	0.375 +0/-0.001	0.624 +0/-0.001	0.625 +0.002/0	3.94

STYLE 800 POLYURETHANE U-SEALS



U-SEALS

Part Number	A NOM. I.D.	B NOM. O.D.	C NOM. HT.	D GROOVE WIDTH	E ROD DIAMETER	F THROAT DIAMETER	G HOUSING DIAMETER	H GROOVE DIAMETER	I PISTON DIAMETER	J BORE DIAMETER	List Price	
1/8" C/S												
U12-0.37-SQB	3/8	5/8	1/8	0.138 +0.01/0	0.375 +0/-0.001	0.376 +0.002/0	0.625 +0.002/0	0.375 +0/-0.001	0.624 +0/-0.001	0.625 +0.002/0	\$ 3.48	
U12-0.43	7/16	11/16	1/8	0.138 +0.01/0	0.438 +0/-0.001	0.439 +0.002/0	0.688 +0.002/0	0.438 +0/-0.001	0.687 +0/-0.001	0.688 +0.002/0	3.89	
U12-0.43-25B	7/16	11/16	1/4	0.275 +0.01/0	0.438 +0/-0.001	0.439 +0.002/0	0.688 +0.002/0	0.438 +0/-0.001	0.687 +0/-0.001	0.688 +0.002/0	3.95	
U12-0.43-SQB	7/16	11/16	1/8	0.138 +0.01/0	0.438 +0/-0.001	0.439 +0.002/0	0.688 +0.002/0	0.438 +0/-0.001	0.687 +0/-0.001	0.688 +0.002/0	3.48	
U12-0.50	1/2	3/4	1/8	0.138 +0.01/0	0.500 +0/-0.001	0.501 +0.002/0	0.750 +0.002/0	0.500 +0/-0.001	0.749 +0/-0.001	0.750 +0.002/0	3.48	
U12-0.50-25B	1/2	3/4	1/4	0.275 +0.01/0	0.500 +0/-0.001	0.501 +0.002/0	0.750 +0.002/0	0.500 +0/-0.001	0.749 +0/-0.001	0.750 +0.002/0	4.05	
U12-0.50-SQB	1/2	3/4	1/8	0.138 +0.01/0	0.500 +0/-0.001	0.501 +0.002/0	0.750 +0.002/0	0.500 +0/-0.001	0.749 +0/-0.001	0.750 +0.002/0	3.48	
U12-0.56	9/16	13/16	1/8	0.138 +0.01/0	0.563 +0/-0.001	0.564 +0.002/0	0.813 +0.002/0	0.563 +0/-0.001	0.812 +0/-0.001	0.813 +0.002/0	4.10	
U12-0.56-25B	9/16	13/16	1/4	0.275 +0.01/0	0.563 +0/-0.001	0.564 +0.002/0	0.813 +0.002/0	0.563 +0/-0.001	0.812 +0/-0.001	0.813 +0.002/0	4.66	
U12-0.56-SQB	9/16	13/16	1/8	0.138 +0.01/0	0.563 +0/-0.001	0.564 +0.002/0	0.813 +0.002/0	0.563 +0/-0.001	0.812 +0/-0.001	0.813 +0.002/0	3.51	
U12-0.62	5/8	7/8	1/8	0.138 +0.01/0	0.625 +0/-0.001	0.626 +0.002/0	0.875 +0.002/0	0.625 +0/-0.001	0.874 +0/-0.001	0.875 +0.002/0	3.57	
U12-0.62-25B	5/8	7/8	1/4	0.275 +0.01/0	0.625 +0/-0.001	0.626 +0.002/0	0.875 +0.002/0	0.625 +0/-0.001	0.874 +0/-0.001	0.875 +0.002/0	4.20	
U12-0.62-25D	5/8	7/8	1/4	0.275 +0.01/0	0.625 +0/-0.001	0.626 +0.002/0	0.875 +0.002/0	0.625 +0/-0.001	0.874 +0/-0.001	0.875 +0.002/0	4.66	
U12-0.62-SQB	5/8	7/8	1/8	0.138 +0.01/0	0.625 +0/-0.001	0.626 +0.002/0	0.875 +0.002/0	0.625 +0/-0.001	0.874 +0/-0.001	0.875 +0.002/0	3.57	
U12-0.68	11/16	15/16	1/8	0.138 +0.01/0	0.688 +0/-0.001	0.689 +0.002/0	0.938 +0.002/0	0.688 +0/-0.001	0.937 +0/-0.001	0.938 +0.002/0	3.78	
U12-0.68-25B	11/16	15/16	1/4	0.275 +0.01/0	0.688 +0/-0.001	0.689 +0.002/0	0.938 +0.002/0	0.688 +0/-0.001	0.937 +0/-0.001	0.938 +0.002/0	4.24	
U12-0.68-SQB	11/16	15/16	1/8	0.138 +0.01/0	0.688 +0/-0.001	0.689 +0.002/0	0.938 +0.002/0	0.688 +0/-0.001	0.937 +0/-0.001	0.938 +0.002/0	3.78	
U12-0.75	3/4	1	1/8	0.138 +0.01/0	0.750 +0/-0.001	0.751 +0.002/0	1.000 +0.002/0	0.750 +0/-0.001	0.999 +0/-0.001	1.000 +0.002/0	3.69	
U12-0.75-18B	3/4	1	3/16	0.207 +0.01/0	0.750 +0/-0.001	0.751 +0.002/0	1.000 +0.002/0	0.750 +0/-0.001	0.999 +0/-0.001	1.000 +0.002/0	4.05	
U12-0.75-25B	3/4	1	1/4	0.275 +0.01/0	0.750 +0/-0.001	0.751 +0.002/0	1.000 +0.002/0	0.750 +0/-0.001	0.999 +0/-0.001	1.000 +0.002/0	4.34	
U12-0.75-25D	3/4	1	1/4	0.275 +0.01/0	0.750 +0/-0.001	0.751 +0.002/0	1.000 +0.002/0	0.750 +0/-0.001	0.999 +0/-0.001	1.000 +0.002/0	4.34	
U12-0.75-SQB	3/4	1	1/8	0.138 +0.01/0	0.750 +0/-0.001	0.751 +0.002/0	1.000 +0.002/0	0.750 +0/-0.001	0.999 +0/-0.001	1.000 +0.002/0	3.69	
U12-0.81	13/16	1-1/16	1/8	0.138 +0.01/0	0.813 +0/-0.001	0.814 +0.002/0	1.062 +0.002/0	0.813 +0/-0.001	1.061 +0/-0.001	1.062 +0.002/0	3.83	
U12-0.81-25B	13/16	1-1/16	1/4	0.275 +0.01/0	0.813 +0/-0.001	0.814 +0.002/0	1.062 +0.002/0	0.813 +0/-0.001	1.061 +0/-0.001	1.062 +0.002/0	4.42	
U12-0.81-SQB	13/16	1-1/16	1/8	0.138 +0.01/0	0.813 +0/-0.001	0.814 +0.002/0	1.063 +0.002/0	0.813 +0/-0.001	1.062 +0/-0.001	1.063 +0.002/0	3.83	
U12-0.87	7/8	1-1/8	1/8	0.138 +0.01/0	0.875 +0/-0.001	0.876 +0.002/0	1.125 +0.002/0	0.875 +0/-0.001	1.124 +0/-0.001	1.125 +0.002/0	3.83	
U12-0.87-25B	7/8	1-1/8	1/4	0.275 +0.01/0	0.875 +0/-0.001	0.876 +0.002/0	1.125 +0.002/0	0.875 +0/-0.001	1.124 +0/-0.001	1.125 +0.002/0	4.51	
U12-0.87-25D	7/8	1-1/8	1/4	0.275 +0.01/0	0.875 +0/-0.001	0.876 +0.002/0	1.125 +0.002/0	0.875 +0/-0.001	1.124 +0/-0.001	1.125 +0.002/0	5.27	
U12-0.87-SQB	7/8	1-1/8	1/8	0.138 +0.01/0	0.875 +0/-0.001	0.876 +0.002/0	1.125 +0.002/0	0.875 +0/-0.001	1.124 +0/-0.001	1.125 +0.002/0	3.83	
U12-0.93	15/16	1-3/16	1/8	0.138 +0.01/0	0.938 +0/-0.001	0.939 +0.002/0	1.188 +0.002/0	0.938 +0/-0.001	1.187 +0/-0.001	1.188 +0.002/0	3.95	
U12-0.93-25B	15/16	1-3/16	1/4	0.275 +0.01/0	0.938 +0/-0.001	0.939 +0.002/0	1.188 +0.002/0	0.938 +0/-0.001	1.187 +0/-0.001	1.188 +0.002/0	4.66	
U12-1.00	1	1-1/4	1/8	0.138 +0.01/0	1.000 +0/-0.001	1.001 +0.002/0	1.250 +0.002/0	1.000 +0/-0.001	1.249 +0/-0.001	1.250 +0.002/0	3.95	
U12-1.00-18B	1	1-1/4	3/16	0.207 +0.01/0	1.000 +0/-0.001	1.001 +0.002/0	1.250 +0.002/0	1.000 +0/-0.001	1.249 +0/-0.001	1.250 +0.002/0	6.00	
U12-1.00-25B	1	1-1/4	1/4	0.275 +0.01/0	1.000 +0/-0.001	1.001 +0.002/0	1.250 +0.002/0	1.000 +0/-0.001	1.249 +0/-0.001	1.250 +0.002/0	4.69	
U12-1.00-25D	1	1-1/4	1/4	0.275 +0.01/0	1.000 +0/-0.001	1.001 +0.002/0	1.250 +0.002/0	1.000 +0/-0.001	1.249 +0/-0.001	1.250 +0.002/0	4.69	
U12-1.00-SQB	1	1-1/4	1/8	0.138 +0.01/0	1.000 +0/-0.001	1.001 +0.002/0	1.250 +0.002/0	1.000 +0/-0.001	1.249 +0/-0.001	1.250 +0.002/0	4.05	
U12-1.06-25B	1-1/16	1-5/16	1/4	0.275 +0.01/0	1.062 +0/-0.001	1.063 +0.002/0	1.312 +0.002/0	1.062 +0/-0.001	1.311 +0/-0.001	1.312 +0.002/0	4.76	
U12-1.06-SQB	1-1/16	1-5/16	1/8	0.138 +0.01/0	1.062 +0/-0.001	1.063 +0.002/0	1.312 +0.002/0	1.062 +0/-0.001	1.311 +0/-0.001	1.312 +0.002/0	4.14	
U12-1.12	1-1/8	1-3/8	1/8	0.138 +0.01/0	1.125 +0/-0.001	1.126 +0.002/0	1.375 +0.002/0	1.125 +0/-0.001	1.374 +0/-0.001	1.375 +0.002/0	4.21	
U12-1.12-18D	1-1/8	1-3/8	1/8	0.207 +0.01/0	1.125 +0/-0.001	1.126 +0.002/0	1.375 +0.002/0	1.125 +0/-0.001	1.374 +0/-0.001	1.375 +0.002/0	7.15	
U12-1.12-25B	1-1/8	1-3/8	1/4	0.275 +0.01/0	1.125 +0/-0.001	1.126 +0.002/0	1.375 +0.002/0	1.125 +0/-0.001	1.374 +0/-0.001	1.375 +0.002/0	4.88	
U12-1.12-25D	1-1/8	1-3/8	1/4	0.275 +0.01/0	1.125 +0/-0.001	1.126 +0.002/0	1.375 +0.002/0	1.125 +0/-0.001	1.374 +0/-0.001	1.375 +0.002/0	4.88	



STYLE 800 POLYURETHANE U-SEALS

U-SEALS

Part Number	A NOM. I.D.	B NOM. O.D.	C NOM. HT.	D GROOVE WIDTH	E ROD DIAMETER	F THROAT DIAMETER	G HOUSING DIAMETER	H GROOVE DIAMETER	I PISTON DIAMETER	J BORE DIAMETER	List Price	
1/8" C/S												
U12-1.12-SQB	1-1/8	1-3/8	1/8	0.138 +0.01/0	1.125 +0/-0.001	1.126 +0.002/0	1.375 +0.002/0	1.125 +0/-0.001	1.374 +0/-0.001	1.375 +0.002/0	\$ 4.21	
U12-1.18	1-3/16	1-7/16	1/8	0.138 +0.01/0	1.188 +0/-0.001	1.189 +0.002/0	1.437 +0.002/0	1.188 +0/-0.001	1.436 +0/-0.001	1.437 +0.002/0	4.24	
U12-1.18-18B	1-3/16	1-7/16	3/16	0.207 +0.01/0	1.188 +0/-0.001	1.189 +0.002/0	1.437 +0.002/0	1.188 +0/-0.001	1.436 +0/-0.001	1.437 +0.002/0	5.16	
U12-1.18-25B	1-3/16	1-7/16	1/4	0.275 +0.01/0	1.188 +0/-0.001	1.189 +0.002/0	1.437 +0.002/0	1.188 +0/-0.001	1.436 +0/-0.001	1.437 +0.002/0	5.16	
U12-1.25	1-1/4	1-1/2	1/8	0.138 +0.01/0	1.250 +0/-0.001	1.251 +0.002/0	1.500 +0.002/0	1.250 +0/-0.001	1.499 +0/-0.001	1.500 +0.002/0	4.37	
U12-1.25-18B	1-1/4	1-1/2	3/16	0.207 +0.01/0	1.250 +0/-0.001	1.251 +0.002/0	1.500 +0.002/0	1.250 +0/-0.001	1.499 +0/-0.001	1.500 +0.002/0	5.27	
U12-1.25-25B	1-1/4	1-1/2	1/4	0.275 +0.01/0	1.250 +0/-0.001	1.251 +0.002/0	1.500 +0.002/0	1.250 +0/-0.001	1.499 +0/-0.001	1.500 +0.002/0	5.27	
U12-1.25-25D	1-1/4	1-1/2	1/4	0.275 +0.01/0	1.250 +0/-0.001	1.251 +0.002/0	1.500 +0.002/0	1.250 +0/-0.001	1.499 +0/-0.001	1.500 +0.002/0	5.27	
U12-1.25-SQB	1-1/4	1-1/2	1/8	0.138 +0.01/0	1.250 +0/-0.001	1.251 +0.002/0	1.500 +0.002/0	1.250 +0/-0.001	1.499 +0/-0.001	1.500 +0.002/0	4.37	
U12-1.31	1-5/16	1-9/16	1/8	0.138 +0.01/0	1.312 +0/-0.001	1.313 +0.002/0	1.562 +0.002/0	1.312 +0/-0.001	1.561 +0/-0.001	1.562 +0.002/0	4.65	
U12-1.31-18B	1-5/16	1-9/16	3/16	0.207 +0.01/0	1.312 +0/-0.001	1.313 +0.002/0	1.562 +0.002/0	1.312 +0/-0.001	1.561 +0/-0.001	1.562 +0.002/0	5.25	
U12-1.31-SQB	1-5/16	1-9/16	1/8	0.207 +0.01/0	1.312 +0/-0.001	1.313 +0.002/0	1.562 +0.002/0	1.312 +0/-0.001	1.561 +0/-0.001	1.562 +0.002/0	4.65	
U12-1.37-18D	1-3/8	1-5/8	3/16	0.207 +0.01/0	1.375 +0/-0.001	1.376 +0.002/0	1.625 +0.002/0	1.375 +0/-0.001	1.624 +0/-0.001	1.625 +0.002/0	5.25	
U12-1.37-25B	1-3/8	1-5/8	1/4	0.275 +0.01/0	1.375 +0/-0.001	1.376 +0.002/0	1.625 +0.002/0	1.375 +0/-0.001	1.624 +0/-0.001	1.625 +0.002/0	5.25	
U12-1.37-SQB	1-3/8	1-5/8	1/8	0.138 +0.01/0	1.375 +0/-0.001	1.376 +0.002/0	1.625 +0.002/0	1.375 +0/-0.001	1.624 +0/-0.001	1.625 +0.002/0	4.66	
U12-1.43-25B	1-7/16	1-11/16	1/4	0.275 +0.01/0	1.438 +0/-0.001	1.439 +0.002/0	1.687 +0.002/0	1.438 +0/-0.001	1.686 +0/-0.001	1.687 +0.002/0	5.38	
U12-1.43-SQB	1-7/16	1-11/16	1/8	0.138 +0.01/0	1.438 +0/-0.001	1.439 +0.002/0	1.687 +0.002/0	1.438 +0/-0.001	1.686 +0/-0.001	1.687 +0.002/0	5.44	
U12-1.50	1-1/2	1-3/4	1/8	0.138 +0.01/0	1.500 +0/-0.001	1.501 +0.002/0	1.750 +0.002/0	1.500 +0/-0.001	1.749 +0/-0.001	1.750 +0.002/0	4.69	
U12-1.50-18B	1-1/2	1-3/4	3/16	0.207 +0.01/0	1.500 +0/-0.001	1.501 +0.002/0	1.750 +0.002/0	1.500 +0/-0.001	1.749 +0/-0.001	1.750 +0.002/0	5.62	
U12-1.50-25B	1-1/2	1-3/4	1/4	0.275 +0.01/0	1.500 +0/-0.001	1.501 +0.002/0	1.750 +0.002/0	1.500 +0/-0.001	1.749 +0/-0.001	1.750 +0.002/0	5.50	
U12-1.50-SQB	1-1/2	1-3/4	1/8	0.138 +0.01/0	1.500 +0/-0.001	1.501 +0.002/0	1.750 +0.002/0	1.500 +0/-0.001	1.749 +0/-0.001	1.750 +0.002/0	4.69	
U12-1.56	1-9/16	1-13/16	1/8	0.138 +0.01/0	1.563 +0/-0.001	1.564 +0.002/0	1.812 +0.002/0	1.563 +0/-0.001	1.811 +0/-0.001	1.812 +0.002/0	4.86	
U12-1.62	1-5/8	1-7/8	1/8	0.138 +0.01/0	1.625 +0/-0.001	1.626 +0.002/0	1.875 +0.002/0	1.625 +0/-0.001	1.874 +0/-0.001	1.875 +0.002/0	5.11	
U12-1.62-SQB	1-5/8	1-7/8	1/8	0.138 +0.01/0	1.625 +0/-0.001	1.626 +0.002/0	1.875 +0.002/0	1.625 +0/-0.001	1.874 +0/-0.001	1.875 +0.002/0	5.11	
U12-1.68	1-11/16	1-15/16	1/8	0.138 +0.01/0	1.688 +0/-0.001	1.689 +0.002/0	1.937 +0.002/0	1.688 +0/-0.001	1.936 +0/-0.001	1.937 +0.002/0	5.15	
U12-1.75	1-3/4	2	1/8	0.138 +0.01/0	1.750 +0/-0.001	1.751 +0.002/0	2.000 +0.002/0	1.750 +0/-0.001	1.999 +0/-0.001	2.000 +0.002/0	5.01	
U12-1.75-25B	1-3/4	2	1/4	0.275 +0.01/0	1.750 +0/-0.001	1.751 +0.002/0	2.000 +0.002/0	1.750 +0/-0.001	1.999 +0/-0.001	2.000 +0.002/0	6.00	
U12-1.75-25D	1-3/4	2	1/4	0.275 +0.01/0	1.750 +0/-0.001	1.751 +0.002/0	2.000 +0.002/0	1.750 +0/-0.001	1.999 +0/-0.001	2.000 +0.002/0	6.00	
U12-1.75-SQB	1-3/4	2	1/8	0.138 +0.01/0	1.750 +0/-0.001	1.751 +0.002/0	2.000 +0.002/0	1.750 +0/-0.001	1.999 +0/-0.001	2.000 +0.002/0	5.01	
U12-1.87	1-7/8	2-1/8	1/8	0.138 +0.01/0	1.875 +0/-0.001	1.876 +0.002/0	2.125 +0.002/0	1.875 +0/-0.001	2.124 +0/-0.001	2.125 +0.002/0	5.35	
U12-2.00	2	2-1/4	1/8	0.138 +0.01/0	2.000 +0/-0.001	2.001 +0.002/0	2.250 +0.002/0	2.000 +0/-0.001	2.249 +0/-0.001	2.250 +0.002/0	5.49	
U12-2.00-25D	2	2-1/4	1/4	0.275 +0.01/0	2.000 +0/-0.001	2.001 +0.002/0	2.250 +0.002/0	2.000 +0/-0.001	2.249 +0/-0.001	2.250 +0.002/0	5.34	
U12-2.12	2-1/8	2-3/8	1/8	0.138 +0.01/0	2.125 +0/-0.001	2.126 +0.002/0	2.750 +0.002/0	2.125 +0/-0.001	2.749 +0/-0.001	2.750 +0.002/0	5.62	
U12-2.12-25D	2-1/8	2-3/8	1/4	0.275 +0.01/0	2.125 +0/-0.001	2.126 +0.002/0	2.750 +0.002/0	2.125 +0/-0.001	2.749 +0/-0.001	2.750 +0.002/0	8.82	
U12-2.25	2-1/4	2-1/2	1/8	0.138 +0.01/0	2.250 +0/-0.001	2.251 +0.002/0	2.500 +0.002/0	2.250 +0/-0.001	2.499 +0/-0.001	2.500 +0.002/0	5.76	
U12-2.25-37D	2-1/4	2-1/2	3/8	0.413 +0.01/0	2.250 +0/-0.001	2.251 +0.002/0	2.500 +0.002/0	2.250 +0/-0.001	2.499 +0/-0.001	2.500 +0.002/0	7.37	
U12-2.37	2-3/8	2-5/8	1/8	0.138 +0.01/0	2.375 +0/-0.001	2.376 +0.002/0	2.625 +0.002/0	2.375 +0/-0.001	2.624 +0/-0.001	2.625 +0.002/0	5.63	
U12-2.37-18B	2-3/8	2-5/8	3/16	0.207 +0.01/0	2.375 +0/-0.001	2.376 +0.002/0	2.625 +0.002/0	2.375 +0/-0.001	2.624 +0/-0.001	2.625 +0.002/0	5.93	
U12-2.50	2-1/2	2-3/4	1/8	0.138 +0.01/0	2.500 +0/-0.001	2.501 +0.002/0	2.750 +0.002/0	2.500 +0/-0.001	2.749 +0/-0.001	2.750 +0.002/0	6.04	
U12-2.50-25B	2-1/2	2-3/4	1/4	0.275 +0.01/0	2.500 +0/-0.001	2.501 +0.002/0	2.750 +0.002/0	2.500 +0/-0.001	2.749 +0/-0.001	2.750 +0.002/0	5.96	
U12-2.50-SQB	2-1/2	2-3/4	1/8	0.138 +0.01/0	2.500 +0/-0.001	2.501 +0.002/0	2.750 +0.002/0	2.500 +0/-0.001	2.749 +0/-0.001	2.750 +0.002/0	6.04	
U12-2.75	2-3/4	3	1/8	0.138 +0.01/0	2.750 +0/-0.001	2.751 +0.002/0	3.000 +0.002/0	2.750 +0/-0.001	2.999 +0/-0.001	3.000 +0.002/0	6.46	

STYLE 800 POLYURETHANE U-SEALS



U-SEALS

Part Number	A NOM. I.D.	B NOM. O.D.	C NOM. HT.	D GROOVE WIDTH	E ROD DIAMETER	F THROAT DIAMETER	G HOUSING DIAMETER	H GROOVE DIAMETER	I PISTON DIAMETER	J BORE DIAMETER	List Price
1/8" C/S											
U12-2.75-25B	2-3/4	3	1/4	0.275 +0.01/0	2.750 +0/-0.001	2.751 +0.002/0	3.000 +0.002/0	2.750 +0/-0.001	2.999 +0/-0.001	3.000 +0.002/0	\$ 7.31
U12-2.75-37B	2-3/4	3	3/8	0.413 +0.01/0	2.750 +0/-0.001	2.751 +0.002/0	3.000 +0.002/0	2.750 +0/-0.001	2.999 +0/-0.001	3.000 +0.002/0	7.56
U12-2.87	2-7/8	3-1/8	1/8	0.138 +0.01/0	2.875 +0/-0.001	2.876 +0.002/0	3.125 +0.002/0	2.875 +0/-0.001	3.124 +0/-0.001	3.125 +0.002/0	7.31
U12-3.00	3	3-1/4	1/8	0.275 +0.01/0	3.000 +0/-0.001	3.001 +0.002/0	3.250 +0.002/0	3.000 +0/-0.001	3.249 +0/-0.001	3.250 +0.002/0	6.87
U12-3.12	3-1/8	3-3/8	1/8	0.138 +0.01/0	3.125 +0/-0.001	3.126 +0.002/0	3.375 +0.002/0	3.125 +0/-0.001	3.374 +0/-0.001	3.375 +0.002/0	11.47
U12-3.25	3-1/4	3-1/2	1/8	0.138 +0.01/0	3.250 +0/-0.001	3.251 +0.002/0	3.500 +0.002/0	3.250 +0/-0.001	3.499 +0/-0.001	3.500 +0.002/0	7.19
U12-3.50	3-1/2	3-3/4	1/8	0.138 +0.01/0	3.500 +0/-0.001	3.501 +0.002/0	3.750 +0.002/0	3.500 +0/-0.001	3.749 +0/-0.001	3.750 +0.002/0	7.87
U12-3.62-18B	3-5/8	3-7/8	3/16	0.207 +0.01/0	3.625 +0/-0.001	3.626 +0.002/0	3.875 +0.002/0	3.625 +0/-0.001	3.874 +0/-0.001	3.875 +0.002/0	9.65
U12-3.75	3-3/4	4	1/8	0.138 +0.01/0	3.750 +0/-0.001	3.751 +0.002/0	4.000 +0.002/0	3.750 +0/-0.001	3.999 +0/-0.001	4.000 +0.002/0	11.35
U12-4.00	4	4-1/4	1/8	0.138 +0.01/0	4.000 +0/-0.001	4.001 +0.002/0	4.250 +0.002/0	4.000 +0/-0.001	4.249 +0/-0.001	4.250 +0.002/0	11.71
U12-4.00-SQB	4	4-1/4	1/8	0.138 +0.01/0	4.000 +0/-0.001	4.001 +0.002/0	4.250 +0.002/0	4.000 +0/-0.001	4.249 +0/-0.001	4.250 +0.002/0	9.92
U12-4.25	4-1/4	4-1/2	1/8	0.138 +0.01/0	4.250 +0/-0.001	4.251 +0.002/0	4.500 +0.002/0	4.250 +0/-0.001	4.499 +0/-0.001	4.500 +0.002/0	11.77
U12-4.37	4-3/8	4-5/8	1/8	0.138 +0.01/0	4.375 +0/-0.001	4.376 +0.002/0	4.625 +0.002/0	4.375 +0/-0.001	4.624 +0/-0.001	4.625 +0.002/0	11.92
U12-4.50	4-1/2	4-3/4	1/8	0.138 +0.01/0	4.500 +0/-0.001	4.501 +0.002/0	4.750 +0.002/0	4.500 +0/-0.001	4.749 +0/-0.001	4.750 +0.002/0	14.89
U12-4.75	4-3/4	5	1/8	0.138 +0.01/0	4.750 +0/-0.001	4.751 +0.002/0	5.000 +0.002/0	4.750 +0/-0.001	4.999 +0/-0.001	5.000 +0.002/0	15.37
5/32" C/S											
U15-1.00	1	1-5/16	5/32	0.172 +0.01/0	1.000 +0/-0.001	1.001 +0.002/0	1.312 +0.002/0	1.000 +0/-0.001	1.311 +0/-0.001	1.312 +0.002/0	\$ 4.70
U15-1.00-23B	1	1-5/16	.234	0.257 +0.01/0	1.000 +0/-0.001	1.001 +0.002/0	1.312 +0.002/0	1.000 +0/-0.001	1.311 +0/-0.001	1.312 +0.002/0	5.48
U15-1.00-SQB	1	1-5/16	5/32	0.172 +0.01/0	1.000 +0/-0.001	1.001 +0.002/0	1.312 +0.002/0	1.000 +0/-0.001	1.311 +0/-0.001	1.312 +0.002/0	6.05
U15-1.12	1-1/8	1-7/16	5/32	0.172 +0.01/0	1.125 +0/-0.001	1.126 +0.002/0	1.437 +0.002/0	1.125 +0/-0.001	1.436 +0/-0.001	1.437 +0.002/0	4.90
U15-1.18	1-3/16	1-1/2	5/32	0.172 +0.01/0	1.188 +0/-0.001	1.189 +0.002/0	1.500 +0.002/0	1.188 +0/-0.001	1.499 +0/-0.001	1.500 +0.002/0	4.81
U15-1.25	1-1/4	1-9/16	5/32	0.172 +0.01/0	1.250 +0/-0.001	1.251 +0.002/0	1.562 +0.002/0	1.250 +0/-0.001	1.561 +0/-0.001	1.563 +0.002/0	5.74
U15-1.37	1-3/8	1-11/16	5/32	0.172 +0.01/0	1.375 +0/-0.001	1.376 +0.002/0	1.687 +0.002/0	1.375 +0/-0.001	1.686 +0/-0.001	1.687 +0.002/0	6.15
U15-1.37-SQB	1-3/8	1-11/16	5/32	0.172 +0.01/0	1.375 +0/-0.001	1.376 +0.002/0	1.687 +0.002/0	1.375 +0/-0.001	1.686 +0/-0.001	1.687 +0.002/0	5.90
U15-1.50-31B	1-1/2	1-13/16	5/16	0.344 +0.01/0	1.500 +0/-0.001	1.501 +0.002/0	1.812 +0.002/0	1.500 +0/-0.001	1.811 +0/-0.001	1.812 +0.002/0	6.54
3/16" C/S											
U18-0.18-SQB	3/16	9/16	3/16	0.207 +0.01/0	0.188 +0/-0.002	0.189 +0.002/0	0.563 +0.002/0	0.188 +0/-0.002	0.562 +0/-0.002	0.563 +0.002/0	\$ 3.63
U18-0.25-SQB	1/4	5/8	3/16	0.207 +0.01/0	0.250 +0/-0.002	0.251 +0.002/0	0.625 +0.002/0	0.250 +0/-0.002	0.624 +0/-0.002	0.625 +0.002/0	3.63
U18-0.31-SQB	5/16	11/16	3/16	0.207 +0.01/0	0.312 +0/-0.002	0.313 +0.002/0	0.688 +0.002/0	0.312 +0/-0.002	0.687 +0/-0.002	0.688 +0.002/0	3.62
U18-0.37	3/8	3/4	3/16	0.207 +0.01/0	0.375 +0/-0.002	0.376 +0.002/0	0.750 +0.002/0	0.375 +0/-0.002	0.749 +0/-0.002	0.750 +0.002/0	3.62
U18-0.37-SQB	3/8	3/4	3/16	0.207 +0.01/0	0.375 +0/-0.002	0.376 +0.002/0	0.750 +0.002/0	0.375 +0/-0.002	0.749 +0/-0.002	0.750 +0.002/0	3.62
U18-0.37-31B	3/8	3/4	5/16	0.344 +0.01/0	0.375 +0/-0.002	0.376 +0.002/0	0.750 +0.002/0	0.375 +0/-0.002	0.749 +0/-0.002	0.750 +0.002/0	4.20
U18-0.43	7/16	13/16	3/16	0.207 +0.01/0	0.438 +0/-0.002	0.439 +0.002/0	0.813 +0.002/0	0.438 +0/-0.002	0.812 +0/-0.002	0.813 +0.002/0	3.80
U18-0.50	1/2	7/8	3/16	0.207 +0.01/0	0.500 +0/-0.002	0.501 +0.002/0	0.875 +0.002/0	0.500 +0/-0.002	0.874 +0/-0.002	0.875 +0.002/0	3.80
U18-0.50-31B	1/2	7/8	5/16	0.344 +0.01/0	0.500 +0/-0.002	0.501 +0.002/0	0.875 +0.002/0	0.500 +0/-0.002	0.874 +0/-0.002	0.875 +0.002/0	3.68
U18-0.56	9/16	15/16	3/16	0.207 +0.01/0	0.563 +0/-0.002	0.564 +0.002/0	0.938 +0.002/0	0.563 +0/-0.002	0.937 +0/-0.002	0.938 +0.002/0	3.85
U18-0.62	5/8	1	3/16	0.207 +0.01/0	0.625 +0/-0.002	0.626 +0.002/0	1.000 +0.002/0	0.625 +0/-0.002	0.999 +0/-0.002	1.000 +0.002/0	3.83
U18-0.62-31B	5/8	1	5/16	0.344 +0.01/0	0.625 +0/-0.002	0.626 +0.002/0	1.000 +0.002/0	0.625 +0/-0.002	0.999 +0/-0.002	1.000 +0.002/0	4.31
U18-0.62-31D	5/8	1	5/16	0.344 +0.01/0	0.625 +0/-0.002	0.626 +0.002/0	1.000 +0.002/0	0.625 +0/-0.002	0.999 +0/-0.002	1.000 +0.002/0	4.31
U18-0.62-SQB	5/8	1	3/16	0.207 +0.01/0	0.625 +0/-0.002	0.626 +0.002/0	1.000 +0.002/0	0.625 +0/-0.002	0.999 +0/-0.002	1.000 +0.002/0	3.83
U18-0.68	11/16	1-1/16	3/16	0.207 +0.01/0	0.688 +0/-0.002	0.689 +0.002/0	1.062 +0.002/0	0.688 +0/-0.002	1.061 +0/-0.002	1.062 +0.002/0	4.01
U18-0.75	3/4	1-1/8	3/16	0.207 +0.01/0	0.750 +0/-0.002	0.751 +0.002/0	1.125 +0.002/0	0.750 +0/-0.002	1.124 +0/-0.002	1.125 +0.002/0	4.07



STYLE 800 POLYURETHANE U-SEALS

U-SEALS

Part Number	A NOM. I.D.	B NOM. O.D.	C NOM. HT.	D GROOVE WIDTH	E ROD DIAMETER	F THROAT DIAMETER	G HOUSING DIAMETER	H GROOVE DIAMETER	I PISTON DIAMETER	J BORE DIAMETER	List Price
3/16" C/S											
U18-0.75-31B	3/4	1-1/8	5/16	0.344 +0.01/0	0.750 +0/-0.002	0.751 +0.002/0	1.125 +0.002/0	0.750 +0/-0.002	1.124 +0/-0.002	1.125 +0.002/0	\$ 4.70
U18-0.75-31D	3/4	1-1/8	5/16	0.344 +0.01/0	0.750 +0/-0.002	0.751 +0.002/0	1.125 +0.002/0	0.750 +0/-0.002	1.124 +0/-0.002	1.125 +0.002/0	4.70
U18-0.75-SQB	3/4	1-1/8	3/16	0.207 +0.01/0	0.750 +0/-0.002	0.751 +0.002/0	1.125 +0.002/0	0.750 +0/-0.002	1.124 +0/-0.002	1.125 +0.002/0	4.07
U18-0.81	13/16	1-3/16	3/16	0.207 +0.01/0	0.813 +0/-0.002	0.814 +0.002/0	1.188 +0.002/0	0.813 +0/-0.002	1.187 +0/-0.002	1.188 +0.002/0	4.31
U18-0.81-31B	13/16	1-3/16	5/16	0.344 +0.01/0	0.813 +0/-0.002	0.814 +0.002/0	1.188 +0.002/0	0.813 +0/-0.002	1.187 +0/-0.002	1.188 +0.002/0	4.87
U18-0.87	7/8	1-1/4	3/16	0.207 +0.01/0	0.875 +0/-0.002	0.876 +0.002/0	1.250 +0.002/0	0.875 +0/-0.002	1.249 +0/-0.002	1.250 +0.002/0	4.50
U18-0.87-31B	7/8	1-1/4	5/16	0.344 +0.01/0	0.875 +0/-0.002	0.876 +0.002/0	1.250 +0.002/0	0.875 +0/-0.002	1.249 +0/-0.002	1.250 +0.002/0	4.99
U18-0.87-SQB	7/8	1-1/4	3/16	0.207 +0.01/0	0.875 +0/-0.002	0.876 +0.002/0	1.250 +0.002/0	0.875 +0/-0.002	1.249 +0/-0.002	1.250 +0.002/0	4.50
U18-0.93	15/16	1-5/16	3/16	0.207 +0.01/0	0.938 +0/-0.002	0.939 +0.002/0	1.312 +0.002/0	0.938 +0/-0.002	1.311 +0/-0.002	1.312 +0.002/0	4.62
U18-1.00	1	1-3/8	3/16	0.207 +0.01/0	1.000 +0/-0.002	1.001 +0.002/0	1.375 +0.002/0	1.000 +0/-0.002	1.374 +0/-0.002	1.375 +0.002/0	4.47
U18-1.00-25B	1	1-3/8	1/4	0.275 +0.01/0	1.000 +0/-0.002	1.001 +0.002/0	1.375 +0.002/0	1.000 +0/-0.002	1.374 +0/-0.002	1.375 +0.002/0	5.01
U18-1.00-31B	1	1-3/8	5/16	0.344 +0.01/0	1.000 +0/-0.002	1.001 +0.002/0	1.375 +0.002/0	1.000 +0/-0.002	1.374 +0/-0.002	1.375 +0.002/0	5.01
U18-1.00-31D	1	1-3/8	5/16	0.344 +0.01/0	1.000 +0/-0.002	1.001 +0.002/0	1.375 +0.002/0	1.000 +0/-0.002	1.374 +0/-0.002	1.375 +0.002/0	5.82
U18-1.00-37B	1	1-3/8	3/8	0.413 +0.01/0	1.000 +0/-0.002	1.001 +0.002/0	1.375 +0.002/0	1.000 +0/-0.002	1.374 +0/-0.002	1.375 +0.002/0	5.19
U18-1.00-SQB	1	1-3/8	3/16	0.207 +0.01/0	1.000 +0/-0.002	1.001 +0.002/0	1.375 +0.002/0	1.000 +0/-0.002	1.374 +0/-0.002	1.375 +0.002/0	4.47
U18-1.06	1-1/16	1-7/16	3/16	0.207 +0.01/0	1.438 +0/-0.002	1.439 +0.002/0	1.437 +0.002/0	1.438 +0/-0.002	1.436 +0/-0.002	1.437 +0.002/0	4.61
U18-1.06-31B	1-1/16	1-7/16	5/16	0.344 +0.01/0	1.062 +0/-0.002	1.063 +0.002/0	1.437 +0.002/0	1.062 +0/-0.002	1.436 +0/-0.002	1.437 +0.002/0	5.08
U18-1.12	1-1/8	1-1/2	3/16	0.207 +0.01/0	1.125 +0/-0.002	1.126 +0.002/0	1.500 +0.002/0	1.125 +0/-0.002	1.499 +0/-0.002	1.500 +0.002/0	4.69
U18-1.12-25B	1-1/8	1-1/2	1/4	0.275 +0.01/0	1.125 +0/-0.002	1.126 +0.002/0	1.500 +0.002/0	1.125 +0/-0.002	1.499 +0/-0.002	1.500 +0.002/0	5.24
U18-1.12-31B	1-1/8	1-1/2	5/16	0.344 +0.01/0	1.125 +0/-0.002	1.126 +0.002/0	1.500 +0.002/0	1.125 +0/-0.002	1.499 +0/-0.002	1.500 +0.002/0	5.24
U18-1.12-31D	1-1/8	1-1/2	5/16	0.344 +0.01/0	1.125 +0/-0.002	1.126 +0.002/0	1.500 +0.002/0	1.125 +0/-0.002	1.499 +0/-0.002	1.500 +0.002/0	5.24
U18-1.12-37B	1-1/8	1-1/2	3/8	0.413 +0.01/0	1.125 +0/-0.002	1.126 +0.002/0	1.500 +0.002/0	1.125 +0/-0.002	1.499 +0/-0.002	1.500 +0.002/0	5.82
U18-1.12-SQB	1-1/8	1-1/2	3/16	0.207 +0.01/0	1.125 +0/-0.002	1.126 +0.002/0	1.500 +0.002/0	1.125 +0/-0.002	1.499 +0/-0.002	1.500 +0.002/0	4.69
U18-1.18	1-3/16	1-9/16	3/16	0.207 +0.01/0	1.188 +0/-0.002	1.189 +0.002/0	1.562 +0.002/0	1.188 +0/-0.002	1.561 +0/-0.002	1.563 +0.002/0	4.86
U18-1.18-25B	1-3/16	1-9/16	1/4	0.275 +0.01/0	1.188 +0/-0.002	1.189 +0.002/0	1.562 +0.002/0	1.188 +0/-0.002	1.561 +0/-0.002	1.563 +0.002/0	5.36
U18-1.18-31B	1-3/16	1-9/16	5/16	0.344 +0.01/0	1.188 +0/-0.002	1.189 +0.002/0	1.562 +0.002/0	1.188 +0/-0.002	1.561 +0/-0.002	1.563 +0.002/0	6.26
U18-1.25	1-1/4	1-5/8	3/16	0.207 +0.01/0	1.250 +0/-0.002	1.251 +0.002/0	1.625 +0.002/0	1.250 +0/-0.002	1.624 +0/-0.002	1.625 +0.002/0	4.88
U18-1.25-25B	1-1/4	1-5/8	1/4	0.275 +0.01/0	1.250 +0/-0.002	1.251 +0.002/0	1.625 +0.002/0	1.250 +0/-0.002	1.624 +0/-0.002	1.625 +0.002/0	5.65
U18-1.25-26B	1-1/4	1-5/8	.266	0.292 +0.01/0	1.250 +0/-0.002	1.251 +0.002/0	1.625 +0.002/0	1.250 +0/-0.002	1.624 +0/-0.002	1.625 +0.002/0	5.37
U18-1.25-31B	1-1/4	1-5/8	5/16	0.344 +0.01/0	1.250 +0/-0.002	1.251 +0.002/0	1.625 +0.002/0	1.250 +0/-0.002	1.624 +0/-0.002	1.625 +0.002/0	4.98
U18-1.25-31D	1-1/4	1-5/8	5/16	0.344 +0.01/0	1.250 +0/-0.002	1.251 +0.002/0	1.625 +0.002/0	1.250 +0/-0.002	1.624 +0/-0.002	1.625 +0.002/0	4.98
U18-1.25-37B	1-1/4	1-5/8	3/8	0.413 +0.01/0	1.250 +0/-0.002	1.251 +0.002/0	1.625 +0.002/0	1.250 +0/-0.002	1.624 +0/-0.002	1.625 +0.002/0	5.57
U18-1.25-SQB	1-1/4	1-5/8	3/16	0.207 +0.01/0	1.250 +0/-0.002	1.251 +0.002/0	1.625 +0.002/0	1.250 +0/-0.002	1.624 +0/-0.002	1.625 +0.002/0	4.88
U18-1.31	1-5/16	1-11/16	3/16	0.207 +0.01/0	1.312 +0/-0.002	1.313 +0.002/0	1.687 +0.002/0	1.312 +0/-0.002	1.686 +0/-0.002	1.687 +0.002/0	5.24
U18-1.31-31B	1-5/16	1-11/16	5/16	0.344 +0.01/0	1.312 +0/-0.002	1.313 +0.002/0	1.687 +0.002/0	1.312 +0/-0.002	1.686 +0/-0.002	1.687 +0.002/0	5.57
U18-1.31-SQB	1-5/16	1-11/16	3/16	0.207 +0.01/0	1.312 +0/-0.002	1.313 +0.002/0	1.687 +0.002/0	1.312 +0/-0.002	1.686 +0/-0.002	1.687 +0.002/0	5.24
U18-1.37	1-3/8	1-3/4	3/16	0.207 +0.01/0	1.375 +0/-0.002	1.376 +0.002/0	1.750 +0.002/0	1.375 +0/-0.002	1.749 +0/-0.002	1.750 +0.002/0	5.08
U18-1.37-25B	1-3/8	1-3/4	1/4	0.275 +0.01/0	1.375 +0/-0.002	1.376 +0.002/0	1.750 +0.002/0	1.375 +0/-0.002	1.749 +0/-0.002	1.750 +0.002/0	5.95
U18-1.37-31B	1-3/8	1-3/4	5/16	0.344 +0.01/0	1.375 +0/-0.002	1.376 +0.002/0	1.750 +0.002/0	1.375 +0/-0.002	1.749 +0/-0.002	1.750 +0.002/0	5.69
U18-1.37-31D	1-3/8	1-3/4	5/16	0.344 +0.01/0	1.375 +0/-0.002	1.376 +0.002/0	1.750 +0.002/0	1.375 +0/-0.002	1.749 +0/-0.002	1.750 +0.002/0	6.63
U18-1.37-37B	1-3/8	1-3/4	3/8	0.413 +0.01/0	1.375 +0/-0.002	1.376 +0.002/0	1.750 +0.002/0	1.375 +0/-0.002	1.749 +0/-0.002	1.750 +0.002/0	5.93
U18-1.37-SQB	1-3/8	1-3/4	3/16	0.207 +0.01/0	1.375 +0/-0.002	1.376 +0.002/0	1.750 +0.002/0	1.375 +0/-0.002	1.749 +0/-0.002	1.750 +0.002/0	5.08

STYLE 800 POLYURETHANE U-SEALS



Part Number	A NOM. I.D.	B NOM. O.D.	C NOM. HT.	D GROOVE WIDTH	E ROD DIAMETER	F THROAT DIAMETER	G HOUSING DIAMETER	H GROOVE DIAMETER	I PISTON DIAMETER	J BORE DIAMETER	List Price	
3/16" C/S												
U18-1.43	1-7/16	1-13/16	3/16	0.207 +0.01/0	1.438 +0/-0.002	1.439 +0.002/0	1.812 +0.002/0	1.438 +0/-0.002	1.811 +0/-0.002	1.812 +0.002/0	\$ 5.36	
U18-1.50	1-1/2	1-7/8	3/16	0.207 +0.01/0	1.500 +0/-0.002	1.501 +0.002/0	1.875 +0.002/0	1.500 +0/-0.002	1.874 +0/-0.002	1.875 +0.002/0	5.11	
U18-1.50-25B	1-1/2	1-7/8	1/4	0.275 +0.01/0	1.500 +0/-0.002	1.501 +0.002/0	1.875 +0.002/0	1.500 +0/-0.002	1.874 +0/-0.002	1.875 +0.002/0	5.76	
U18-1.50-26B	1-1/2	1-7/8	.266	0.292 +0.01/0	1.500 +0/-0.002	1.501 +0.002/0	1.875 +0.002/0	1.500 +0/-0.002	1.874 +0/-0.002	1.875 +0.002/0	5.78	
U18-1.50-29F	1-1/2	1-7/8	19/64	0.326 +0.01/0	1.500 +0/-0.002	1.501 +0.002/0	1.875 +0.002/0	1.500 +0/-0.002	1.874 +0/-0.002	1.875 +0.002/0	12.05	
U18-1.50-31B	1-1/2	1-7/8	5/16	0.344 +0.01/0	1.500 +0/-0.002	1.501 +0.002/0	1.875 +0.002/0	1.500 +0/-0.002	1.874 +0/-0.002	1.875 +0.002/0	5.78	
U18-1.50-37B	1-1/2	1-7/8	3/8	0.413 +0.01/0	1.500 +0/-0.002	1.501 +0.002/0	1.875 +0.002/0	1.500 +0/-0.002	1.874 +0/-0.002	1.875 +0.002/0	5.78	
U18-1.50-37D	1-1/2	1-7/8	3/8	0.413 +0.01/0	1.500 +0/-0.002	1.501 +0.002/0	1.875 +0.002/0	1.500 +0/-0.002	1.874 +0/-0.002	1.875 +0.002/0	5.78	
U18-1.50-SQB	1-1/2	1-7/8	3/16	0.207 +0.01/0	1.500 +0/-0.002	1.501 +0.002/0	1.875 +0.002/0	1.500 +0/-0.002	1.874 +0/-0.002	1.875 +0.002/0	5.11	
U18-1.56-37B	1-9/16	1-15/16	3/8	0.413 +0.01/0	1.563 +0/-0.002	1.564 +0.002/0	1.937 +0.002/0	1.563 +0/-0.002	1.936 +0/-0.002	1.937 +0.002/0	6.00	
U18-1.62	1-5/8	2	3/16	0.207 +0.01/0	1.625 +0/-0.002	1.626 +0.002/0	2.000 +0.002/0	1.625 +0/-0.002	1.999 +0/-0.002	2.000 +0.002/0	5.44	
U18-1.62-25B	1-5/8	2	1/4	0.275 +0.01/0	1.625 +0/-0.002	1.626 +0.002/0	2.000 +0.002/0	1.625 +0/-0.002	1.999 +0/-0.002	2.000 +0.002/0	6.46	
U18-1.62-31B	1-5/8	2	5/16	0.344 +0.01/0	1.625 +0/-0.002	1.626 +0.002/0	2.000 +0.002/0	1.625 +0/-0.002	1.999 +0/-0.002	2.000 +0.002/0	6.46	
U18-1.62-37B	1-5/8	2	3/8	0.413 +0.01/0	1.625 +0/-0.002	1.626 +0.002/0	2.000 +0.002/0	1.625 +0/-0.002	1.999 +0/-0.002	2.000 +0.002/0	6.46	
U18-1.62-37D	1-5/8	2	3/8	0.413 +0.01/0	1.625 +0/-0.002	1.626 +0.002/0	2.000 +0.002/0	1.625 +0/-0.002	1.999 +0/-0.002	2.000 +0.002/0	6.46	
U18-1.62-SQB	1-5/8	2	3/16	0.207 +0.01/0	1.625 +0/-0.002	1.626 +0.002/0	2.000 +0.002/0	1.625 +0/-0.002	1.999 +0/-0.002	2.000 +0.002/0	5.44	
U18-1.68	1-11/16	2-1/16	3/16	0.207 +0.01/0	1.688 +0/-0.002	1.689 +0.002/0	2.062 +0.002/0	1.688 +0/-0.002	2.061 +0/-0.002	2.062 +0.002/0	5.75	
U18-1.75	1-3/4	2-1/8	3/16	0.207 +0.01/0	1.750 +0/-0.002	1.751 +0.002/0	2.125 +0.002/0	1.750 +0/-0.002	2.124 +0/-0.002	2.125 +0.002/0	5.55	
U18-1.75-25B	1-3/4	2-1/8	1/4	0.275 +0.01/0	1.750 +0/-0.002	1.751 +0.002/0	2.125 +0.002/0	1.750 +0/-0.002	2.124 +0/-0.002	2.125 +0.002/0	7.74	
U18-1.75-26B	1-3/4	2-1/8	.266	0.292 +0.01/0	1.750 +0/-0.002	1.751 +0.002/0	2.125 +0.002/0	1.750 +0/-0.002	2.124 +0/-0.002	2.125 +0.002/0	6.53	
U18-1.75-31B	1-3/4	2-1/8	5/16	0.344 +0.01/0	1.750 +0/-0.002	1.751 +0.002/0	2.125 +0.002/0	1.750 +0/-0.002	2.124 +0/-0.002	2.125 +0.002/0	6.82	
U18-1.75-31D	1-3/4	2-1/8	5/16	0.344 +0.01/0	1.750 +0/-0.002	1.751 +0.002/0	2.125 +0.002/0	1.750 +0/-0.002	2.124 +0/-0.002	2.125 +0.002/0	7.45	
U18-1.75-37B	1-3/4	2-1/8	3/8	0.413 +0.01/0	1.750 +0/-0.002	1.751 +0.002/0	2.125 +0.002/0	1.750 +0/-0.002	2.124 +0/-0.002	2.125 +0.002/0	6.53	
U18-1.75-37D	1-3/4	2-1/8	3/8	0.413 +0.01/0	1.750 +0/-0.002	1.751 +0.002/0	2.125 +0.002/0	1.750 +0/-0.002	2.124 +0/-0.002	2.125 +0.002/0	7.62	
U18-1.75-37DF	1-3/4	2-1/8	3/8	0.413 +0.01/0	1.750 +0/-0.002	1.751 +0.002/0	2.125 +0.002/0	1.750 +0/-0.002	2.124 +0/-0.002	2.125 +0.002/0	11.85	
U18-1.75-SQB	1-3/4	2-1/8	3/16	0.207 +0.01/0	1.750 +0/-0.002	1.751 +0.002/0	2.125 +0.002/0	1.750 +0/-0.002	2.124 +0/-0.002	2.125 +0.002/0	5.55	
U18-1.87	1-7/8	2-1/4	3/16	0.207 +0.01/0	1.875 +0/-0.002	1.876 +0.002/0	2.250 +0.002/0	1.875 +0/-0.002	2.249 +0/-0.002	2.250 +0.002/0	5.69	
U18-1.87-25D	1-7/8	2-1/4	1/4	0.275 +0.01/0	1.875 +0/-0.002	1.876 +0.002/0	2.250 +0.002/0	1.875 +0/-0.002	2.249 +0/-0.002	2.250 +0.002/0	7.24	
U18-1.87-26B	1-7/8	2-1/4	.266	0.292 +0.01/0	1.875 +0/-0.002	1.876 +0.002/0	2.250 +0.002/0	1.875 +0/-0.002	2.249 +0/-0.002	2.250 +0.002/0	6.91	
U18-1.87-31B	1-7/8	2-1/4	5/16	0.344 +0.01/0	1.875 +0/-0.002	1.876 +0.002/0	2.250 +0.002/0	1.875 +0/-0.002	2.249 +0/-0.002	2.250 +0.002/0	6.91	
U18-1.87-37B	1-7/8	2-1/4	3/8	0.413 +0.01/0	1.875 +0/-0.002	1.876 +0.002/0	2.250 +0.002/0	1.875 +0/-0.002	2.249 +0/-0.002	2.250 +0.002/0	6.91	
U18-1.87-37D	1-7/8	2-1/4	3/8	0.413 +0.01/0	1.875 +0/-0.002	1.876 +0.002/0	2.250 +0.002/0	1.875 +0/-0.002	2.249 +0/-0.002	2.250 +0.002/0	7.24	
U18-1.87-SQB	1-7/8	2-1/4	3/16	0.207 +0.01/0	1.875 +0/-0.002	1.876 +0.002/0	2.250 +0.002/0	1.875 +0/-0.002	2.249 +0/-0.002	2.250 +0.002/0	5.69	
U18-2.00	2	2-3/8	3/16	0.207 +0.01/0	2.000 +0/-0.002	2.001 +0.002/0	2.375 +0.002/0	2.000 +0/-0.002	2.374 +0/-0.002	2.375 +0.002/0	5.78	
U18-2.00-25B	2	2-3/8	1/4	0.275 +0.01/0	2.000 +0/-0.002	2.001 +0.002/0	2.375 +0.002/0	2.000 +0/-0.002	2.374 +0/-0.002	2.375 +0.002/0	7.26	
U18-2.00-27D	2	2-3/8	.270	0.297 +0.01/0	2.000 +0/-0.002	2.001 +0.002/0	2.375 +0.002/0	2.000 +0/-0.002	2.374 +0/-0.002	2.375 +0.002/0	8.90	
U18-2.00-31B	2	2-3/8	5/16	0.344 +0.01/0	2.000 +0/-0.002	2.001 +0.002/0	2.375 +0.002/0	2.000 +0/-0.002	2.374 +0/-0.002	2.375 +0.002/0	7.26	
U18-2.00-37B	2	2-3/8	3/8	0.413 +0.01/0	2.000 +0/-0.002	2.001 +0.002/0	2.375 +0.002/0	2.000 +0/-0.002	2.374 +0/-0.002	2.375 +0.002/0	7.26	
U18-2.00-37D	2	2-3/8	3/8	0.413 +0.01/0	2.000 +0/-0.002	2.001 +0.002/0	2.375 +0.002/0	2.000 +0/-0.002	2.374 +0/-0.002	2.375 +0.002/0	8.74	
U18-2.00-SQB	2	2-3/8	3/16	0.207 +0.01/0	2.000 +0/-0.002	2.001 +0.002/0	2.375 +0.002/0	2.000 +0/-0.002	2.374 +0/-0.002	2.375 +0.002/0	5.78	
U18-2.06	2-1/16	2-7/16	3/16	0.207 +0.01/0	2.062 +0/-0.002	2.063 +0.002/0	2.437 +0.002/0	2.062 +0/-0.002	2.436 +0/-0.002	2.437 +0.002/0	6.21	
U18-2.12	2-1/8	2-1/2	3/16	0.207 +0.01/0	2.125 +0/-0.002	2.126 +0.002/0	2.500 +0.002/0	2.125 +0/-0.002	2.499 +0/-0.002	2.500 +0.002/0	5.96	



STYLE 800 POLYURETHANE U-SEALS

U-SEALS

Part Number	A NOM. I.D.	B NOM. O.D.	C NOM. HT.	D GROOVE WIDTH	E ROD DIAMETER	F THROAT DIAMETER	G HOUSING DIAMETER	H GROOVE DIAMETER	I PISTON DIAMETER	J BORE DIAMETER	List Price
3/16" C/S											
U18-2.12-25B	2-1/8	2-1/2	1/4	0.275 +0.01/0	2.125 +0/-0.002	2.126 +0.002/0	2.500 +0.002/0	2.125 +0/-0.002	2.499 +0/-0.002	2.500 +0.002/0	\$ 7.51
U18-2.12-26B	2-1/8	2-1/2	.266	0.292 +0.01/0	2.125 +0/-0.002	2.126 +0.002/0	2.500 +0.002/0	2.125 +0/-0.002	2.499 +0/-0.002	2.500 +0.002/0	7.85
U18-2.12-31B	2-1/8	2-1/2	5/16	0.292 +0.01/0	2.125 +0/-0.002	2.126 +0.002/0	2.500 +0.002/0	2.125 +0/-0.002	2.499 +0/-0.002	2.500 +0.002/0	7.36
U18-2.12-37B	2-1/8	2-1/2	3/8	0.413 +0.01/0	2.125 +0/-0.002	2.126 +0.002/0	2.500 +0.002/0	2.125 +0/-0.002	2.499 +0/-0.002	2.500 +0.002/0	7.51
U18-2.12-37D	2-1/8	2-1/2	3/8	0.413 +0.01/0	2.125 +0/-0.002	2.126 +0.002/0	2.500 +0.002/0	2.125 +0/-0.002	2.499 +0/-0.002	2.500 +0.002/0	7.51
U18-2.12-SQB	2-1/8	2-1/2	3/16	0.207 +0.01/0	2.125 +0/-0.002	2.126 +0.002/0	2.500 +0.002/0	2.125 +0/-0.002	2.499 +0/-0.002	2.500 +0.002/0	5.96
U18-2.18-37B	2-3/16	2-9/16	3/8	0.413 +0.01/0	2.188 +0/-0.002	2.189 +0.002/0	2.562 +0.002/0	2.188 +0/-0.002	2.561 +0/-0.002	2.562 +0.002/0	8.26
U18-2.25	2-1/4	2-5/8	3/16	0.207 +0.01/0	2.250 +0/-0.002	2.251 +0.002/0	2.625 +0.002/0	2.250 +0/-0.002	2.624 +0/-0.002	2.625 +0.002/0	6.37
U18-2.25-31B	2-1/4	2-5/8	5/16	0.344 +0.01/0	2.250 +0/-0.002	2.251 +0.002/0	2.625 +0.002/0	2.250 +0/-0.002	2.624 +0/-0.002	2.625 +0.002/0	8.56
U18-2.25-37B	2-1/4	2-5/8	3/8	0.413 +0.01/0	2.250 +0/-0.002	2.251 +0.002/0	2.625 +0.002/0	2.250 +0/-0.002	2.624 +0/-0.002	2.625 +0.002/0	8.13
U18-2.25-SQB	2-1/4	2-5/8	3/16	0.207 +0.01/0	2.250 +0/-0.002	2.251 +0.002/0	2.625 +0.002/0	2.250 +0/-0.002	2.624 +0/-0.002	2.625 +0.002/0	6.37
U18-2.37	2-3/8	2-3/4	3/16	0.207 +0.01/0	2.375 +0/-0.002	2.376 +0.002/0	2.750 +0.002/0	2.375 +0/-0.002	2.749 +0/-0.002	2.750 +0.002/0	6.96
U18-2.37-25B	2-3/8	2-3/4	1/4	0.275 +0.01/0	2.375 +0/-0.002	2.376 +0.002/0	2.750 +0.002/0	2.375 +0/-0.002	2.749 +0/-0.002	2.750 +0.002/0	8.82
U18-2.37-37B	2-3/8	2-3/4	3/8	0.413 +0.01/0	2.375 +0/-0.002	2.376 +0.002/0	2.750 +0.002/0	2.375 +0/-0.002	2.749 +0/-0.002	2.750 +0.002/0	8.82
U18-2.37-50B	2-3/8	2-3/4	1/2	0.550 +0.01/0	2.375 +0/-0.002	2.376 +0.002/0	2.750 +0.002/0	2.375 +0/-0.002	2.749 +0/-0.002	2.750 +0.002/0	8.47
U18-2.37-SQB	2-3/8	2-3/4	3/16	0.207 +0.01/0	2.375 +0/-0.002	2.376 +0.002/0	2.750 +0.002/0	2.375 +0/-0.002	2.749 +0/-0.002	2.750 +0.002/0	6.21
U18-2.50	2-1/2	2-7/8	3/16	0.207 +0.01/0	2.500 +0/-0.002	2.501 +0.002/0	2.875 +0.002/0	2.500 +0/-0.002	2.874 +0/-0.002	2.875 +0.002/0	6.55
U18-2.50-25B	2-1/2	2-7/8	1/4	0.275 +0.01/0	2.500 +0/-0.002	2.501 +0.002/0	2.875 +0.002/0	2.500 +0/-0.002	2.874 +0/-0.002	2.875 +0.002/0	9.12
U18-2.50-31B	2-1/2	2-7/8	5/16	0.344 +0.01/0	2.500 +0/-0.002	2.501 +0.002/0	2.875 +0.002/0	2.500 +0/-0.002	2.874 +0/-0.002	2.875 +0.002/0	8.75
U18-2.50-37B	2-1/2	2-7/8	3/8	0.413 +0.01/0	2.500 +0/-0.002	2.501 +0.002/0	2.875 +0.002/0	2.500 +0/-0.002	2.874 +0/-0.002	2.875 +0.002/0	8.75
U18-2.50-37D	2-1/2	2-7/8	3/8	0.207 +0.01/0	2.625 +0/-0.002	2.626 +0.002/0	3.000 +0.002/0	2.625 +0/-0.002	2.999 +0/-0.002	3.000 +0.002/0	8.40
U18-2.50-SQB	2-1/2	2-7/8	3/16	0.207 +0.01/0	2.500 +0/-0.002	2.501 +0.002/0	2.875 +0.002/0	2.500 +0/-0.002	2.874 +0/-0.002	2.875 +0.002/0	6.55
U18-2.62	2-5/8	3	3/16	0.207 +0.01/0	2.625 +0/-0.002	2.626 +0.002/0	3.000 +0.002/0	2.625 +0/-0.002	2.999 +0/-0.002	3.000 +0.002/0	6.98
U18-2.62-25B	2-5/8	3	1/4	0.275 +0.01/0	2.625 +0/-0.002	2.626 +0.002/0	3.000 +0.002/0	2.625 +0/-0.002	2.999 +0/-0.002	3.000 +0.002/0	9.33
U18-2.62-37B	2-5/8	3	3/8	0.413 +0.01/0	2.625 +0/-0.002	2.626 +0.002/0	3.000 +0.002/0	2.625 +0/-0.002	2.999 +0/-0.002	3.000 +0.002/0	9.10
U18-2.62-37D	2-5/8	3	3/8	0.413 +0.01/0	2.625 +0/-0.002	2.626 +0.002/0	3.000 +0.002/0	2.625 +0/-0.002	2.999 +0/-0.002	3.000 +0.002/0	10.72
U18-2.62-SQB	2-5/8	3	3/16	0.207 +0.01/0	2.625 +0/-0.002	2.626 +0.002/0	3.000 +0.002/0	2.625 +0/-0.002	2.999 +0/-0.002	3.000 +0.002/0	6.55
U18-2.75	2-3/4	3-1/8	3/16	0.207 +0.01/0	2.750 +0/-0.002	2.751 +0.002/0	3.125 +0.002/0	2.750 +0/-0.002	3.124 +0/-0.002	3.125 +0.002/0	7.59
U18-2.75-37B	2-3/4	3-1/8	3/8	0.413 +0.01/0	2.750 +0/-0.002	2.751 +0.002/0	3.125 +0.002/0	2.750 +0/-0.002	3.124 +0/-0.002	3.125 +0.002/0	9.52
U18-2.75-SQB	2-3/4	3-1/8	3/16	0.207 +0.01/0	2.750 +0/-0.002	2.751 +0.002/0	3.125 +0.002/0	2.750 +0/-0.002	3.124 +0/-0.002	3.125 +0.002/0	7.10
U18-2.87	2-7/8	3-1/4	3/16	0.207 +0.01/0	2.875 +0/-0.002	2.876 +0.002/0	3.250 +0.002/0	2.875 +0/-0.002	3.249 +0/-0.002	3.250 +0.002/0	7.06
U18-2.87-25B	2-7/8	3-1/4	1/4	0.275 +0.01/0	2.875 +0/-0.002	2.876 +0.002/0	3.250 +0.002/0	2.875 +0/-0.002	3.249 +0/-0.002	3.250 +0.002/0	10.67
U18-2.87-37B	2-7/8	3-1/4	3/8	0.413 +0.01/0	2.875 +0/-0.002	2.876 +0.002/0	3.250 +0.002/0	2.875 +0/-0.002	3.249 +0/-0.002	3.250 +0.002/0	10.20
U18-2.87-37D	2-7/8	3-1/4	3/8	0.413 +0.01/0	2.875 +0/-0.002	2.876 +0.002/0	3.250 +0.002/0	2.875 +0/-0.002	3.249 +0/-0.002	3.250 +0.002/0	10.20
U18-3.00	3	3-3/8	3/16	0.207 +0.01/0	3.000 +0/-0.002	3.001 +0.002/0	3.375 +0.002/0	3.000 +0/-0.002	3.374 +0/-0.002	3.375 +0.002/0	7.54
U18-3.00-31B	3	3-3/8	5/16	0.344 +0.01/0	3.000 +0/-0.002	3.001 +0.002/0	3.375 +0.002/0	3.000 +0/-0.002	3.374 +0/-0.002	3.375 +0.002/0	9.72
U18-3.00-37B	3	3-3/8	3/8	0.413 +0.01/0	3.000 +0/-0.002	3.001 +0.002/0	3.375 +0.002/0	3.000 +0/-0.002	3.374 +0/-0.002	3.375 +0.002/0	10.58
U18-3.00-SQB	3	3-3/8	3/16	0.207 +0.01/0	3.000 +0/-0.002	3.001 +0.002/0	3.375 +0.002/0	3.000 +0/-0.002	3.374 +0/-0.002	3.375 +0.002/0	7.54
U18-3.12	3-1/8	3-1/2	3/16	0.207 +0.01/0	3.125 +0/-0.002	3.126 +0.002/0	3.500 +0.002/0	3.125 +0/-0.002	3.499 +0/-0.002	3.500 +0.002/0	8.09
U18-3.12-25B	3-1/8	3-1/2	1/4	0.275 +0.01/0	3.125 +0/-0.002	3.126 +0.002/0	3.500 +0.002/0	3.125 +0/-0.002	3.499 +0/-0.002	3.500 +0.002/0	10.77
U18-3.12-37B	3-1/8	3-1/2	3/8	0.413 +0.01/0	3.125 +0/-0.002	3.126 +0.002/0	3.500 +0.002/0	3.125 +0/-0.002	3.499 +0/-0.002	3.500 +0.002/0	10.77
U18-3.12-37D	3-1/8	3-1/2	3/8	0.413 +0.01/0	3.125 +0/-0.002	3.126 +0.002/0	3.500 +0.002/0	3.125 +0/-0.002	3.499 +0/-0.002	3.500 +0.002/0	13.18

STYLE 800 POLYURETHANE U-SEALS



U-SEALS

Part Number	A NOM. I.D.	B NOM. O.D.	C NOM. HT.	D GROOVE WIDTH	E ROD DIAMETER	F THROAT DIAMETER	G HOUSING DIAMETER	H GROOVE DIAMETER	I PISTON DIAMETER	J BORE DIAMETER	List Price	
3/16" C/S												
U18-3.12-SQB	3-1/8	3-1/2	3/16	0.207 +0.01/0	3.125 +0/-0.002	3.126 +0.002/0	3.500 +0.002/0	3.125 +0/-0.002	3.499 +0/-0.002	3.500 +0.002/0	\$ 8.09	
U18-3.25	3-1/4	3-5/8	3/16	0.207 +0.01/0	3.250 +0/-0.002	3.251 +0.002/0	3.625 +0.002/0	3.250 +0/-0.002	3.624 +0/-0.002	3.625 +0.002/0	8.54	
U18-3.25-37B	3-1/4	3-5/8	3/8	0.413 +0.01/0	3.250 +0/-0.002	3.251 +0.002/0	3.625 +0.002/0	3.250 +0/-0.002	3.624 +0/-0.002	3.625 +0.002/0	11.93	
U18-3.37	3-3/8	3-3/4	3/16	0.207 +0.01/0	3.375 +0/-0.002	3.376 +0.002/0	3.750 +0.002/0	3.375 +0/-0.002	3.749 +0/-0.002	3.750 +0.002/0	9.04	
U18-3.37-25B	3-3/8	3-3/4	1/4	0.275 +0.01/0	3.375 +0/-0.002	3.376 +0.002/0	3.750 +0.002/0	3.375 +0/-0.002	3.749 +0/-0.002	3.750 +0.002/0	12.30	
U18-3.37-37B	3-3/8	3-3/4	3/8	0.413 +0.01/0	3.375 +0/-0.002	3.376 +0.002/0	3.750 +0.002/0	3.375 +0/-0.002	3.749 +0/-0.002	3.750 +0.002/0	12.57	
U18-3.37-SQB	3-3/8	3-3/4	3/16	0.207 +0.01/0	3.375 +0/-0.002	3.376 +0.002/0	3.750 +0.002/0	3.375 +0/-0.002	3.749 +0/-0.002	3.750 +0.002/0	9.04	
U18-3.50	3-1/2	3-7/8	3/16	0.413 +0.01/0	3.500 +0/-0.002	3.501 +0.002/0	3.875 +0.002/0	3.500 +0/-0.002	3.874 +0/-0.002	3.875 +0.002/0	10.86	
U18-3.50-37B	3-1/2	3-7/8	3/8	0.413 +0.01/0	3.500 +0/-0.002	3.501 +0.002/0	3.875 +0.002/0	3.500 +0/-0.002	3.874 +0/-0.002	3.875 +0.002/0	12.63	
U18-3.50-SQB	3-1/2	3-7/8	3/16	0.207 +0.01/0	3.500 +0/-0.002	3.501 +0.002/0	3.875 +0.002/0	3.500 +0/-0.002	3.874 +0/-0.002	3.875 +0.002/0	9.45	
U18-3.62	3-5/8	4	3/16	0.207 +0.01/0	3.625 +0/-0.002	3.626 +0.002/0	4.000 +0.002/0	3.625 +0/-0.002	3.999 +0/-0.002	4.000 +0.002/0	9.52	
U18-3.62-37B	3-5/8	4	3/8	0.413 +0.01/0	3.625 +0/-0.002	3.626 +0.002/0	4.000 +0.002/0	3.625 +0/-0.002	3.999 +0/-0.002	4.000 +0.002/0	13.93	
U18-3.62-SQB	3-5/8	4	3/16	0.207 +0.01/0	3.625 +0/-0.002	3.626 +0.002/0	4.000 +0.002/0	3.625 +0/-0.002	3.999 +0/-0.002	4.000 +0.002/0	9.52	
U18-3.75	3-3/4	4-1/8	3/16	0.207 +0.01/0	3.750 +0/-0.002	3.751 +0.002/0	4.125 +0.002/0	3.750 +0/-0.002	4.124 +0/-0.002	4.125 +0.002/0	10.40	
U18-3.75-37B	3-3/4	4-1/8	3/8	0.413 +0.01/0	3.750 +0/-0.002	3.751 +0.002/0	4.125 +0.002/0	3.750 +0/-0.002	4.124 +0/-0.002	4.125 +0.002/0	14.74	
U18-3.87	3-7/8	4-1/4	3/16	0.207 +0.01/0	3.875 +0/-0.002	3.876 +0.002/0	4.250 +0.002/0	3.875 +0/-0.002	4.249 +0/-0.002	4.250 +0.002/0	14.69	
U18-3.87-37B	3-7/8	4-1/4	3/8	0.413 +0.01/0	3.875 +0/-0.002	3.876 +0.002/0	4.250 +0.002/0	3.875 +0/-0.002	4.249 +0/-0.002	4.250 +0.002/0	15.42	
U18-4.00	4	4-3/8	3/16	0.207 +0.01/0	4.000 +0/-0.002	4.001 +0.002/0	4.375 +0.002/0	4.000 +0/-0.002	4.374 +0/-0.002	4.375 +0.002/0	12.77	
U18-4.00-37B	4	4-3/8	3/8	0.413 +0.01/0	4.000 +0/-0.002	4.001 +0.002/0	4.375 +0.002/0	4.000 +0/-0.002	4.374 +0/-0.002	4.375 +0.002/0	15.51	
U18-4.00-SQB	4	4-3/8	3/16	0.207 +0.01/0	4.000 +0/-0.002	4.001 +0.002/0	4.375 +0.002/0	4.000 +0/-0.002	4.374 +0/-0.002	4.375 +0.002/0	11.38	
U18-4.12	4-1/8	4-1/2	3/16	0.207 +0.01/0	4.125 +0/-0.002	4.126 +0.002/0	4.500 +0.002/0	4.125 +0/-0.002	4.499 +0/-0.002	4.500 +0.002/0	12.00	
U18-4.12-37B	4-1/8	4-1/2	3/8	0.413 +0.01/0	4.125 +0/-0.002	4.126 +0.002/0	4.500 +0.002/0	4.125 +0/-0.002	4.499 +0/-0.002	4.500 +0.002/0	16.14	
U18-4.12-37D	4-1/8	4-1/2	3/8	0.413 +0.01/0	4.125 +0/-0.002	4.126 +0.002/0	4.500 +0.002/0	4.125 +0/-0.002	4.499 +0/-0.002	4.500 +0.002/0	16.97	
U18-4.25	4-1/4	4-5/8	3/16	0.207 +0.01/0	4.250 +0/-0.002	4.251 +0.002/0	4.625 +0.002/0	4.250 +0/-0.002	4.624 +0/-0.002	4.625 +0.002/0	12.44	
U18-4.25-37B	4-1/4	4-5/8	3/8	0.413 +0.01/0	4.250 +0/-0.002	4.251 +0.002/0	4.625 +0.002/0	4.250 +0/-0.002	4.624 +0/-0.002	4.625 +0.002/0	16.84	
U18-4.37	4-3/8	4-3/4	3/16	0.207 +0.01/0	4.375 +0/-0.002	4.376 +0.002/0	4.750 +0.002/0	4.375 +0/-0.002	4.749 +0/-0.002	4.750 +0.002/0	12.79	
U18-4.37-37B	4-3/8	4-3/4	3/8	0.413 +0.01/0	4.375 +0/-0.002	4.376 +0.002/0	4.750 +0.002/0	4.375 +0/-0.002	4.749 +0/-0.002	4.750 +0.002/0	17.08	
U18-4.50	4-1/2	4-7/8	3/16	0.413 +0.01/0	4.500 +0/-0.002	4.501 +0.002/0	4.875 +0.002/0	4.500 +0/-0.002	4.874 +0/-0.002	4.875 +0.002/0	12.83	
U18-4.50-37B	4-1/2	4-7/8	3/8	0.413 +0.01/0	4.500 +0/-0.002	4.501 +0.002/0	4.875 +0.002/0	4.500 +0/-0.002	4.874 +0/-0.002	4.875 +0.002/0	18.67	
U18-4.62	4-5/8	5	3/16	0.207 +0.01/0	4.625 +0/-0.002	4.626 +0.002/0	5.000 +0.002/0	4.625 +0/-0.002	4.999 +0/-0.002	5.000 +0.002/0	13.15	
U18-4.62-37D	4-5/8	5	3/8	0.413 +0.01/0	4.625 +0/-0.002	4.626 +0.002/0	5.000 +0.002/0	4.625 +0/-0.002	4.999 +0/-0.002	5.000 +0.002/0	18.70	
U18-4.75	4-3/4	5-1/8	3/16	0.207 +0.01/0	4.750 +0/-0.002	4.751 +0.002/0	5.125 +0.002/0	4.750 +0/-0.002	5.124 +0/-0.002	5.125 +0.002/0	13.68	
U18-4.87	4-7/8	5-1/4	3/16	0.207 +0.01/0	4.875 +0/-0.002	4.876 +0.002/0	5.250 +0.002/0	4.875 +0/-0.002	5.249 +0/-0.002	5.250 +0.002/0	14.50	
U18-5.00	5	5-3/8	3/16	0.207 +0.01/0	5.000 +0/-0.002	5.001 +0.002/0	5.375 +0.002/0	5.000 +0/-0.002	5.374 +0/-0.002	5.375 +0.002/0	16.91	
U18-5.00-31D	5	5-3/8	5/16	0.344 +0.01/0	5.000 +0/-0.002	5.001 +0.002/0	5.375 +0.002/0	5.000 +0/-0.002	5.374 +0/-0.002	5.375 +0.002/0	23.80	
U18-5.00-37D	5	5-3/8	3/8	0.413 +0.01/0	5.000 +0/-0.002	5.001 +0.002/0	5.375 +0.002/0	5.000 +0/-0.002	5.374 +0/-0.002	5.375 +0.002/0	23.80	
U18-6.00	6	6-3/8	3/16	0.207 +0.01/0	6.000 +0/-0.002	6.001 +0.002/0	6.375 +0.002/0	6.000 +0/-0.002	6.374 +0/-0.002	6.375 +0.002/0	17.84	
7/32" C/S												
U21-2.50-SQB	2-1/2	2-15/16	7/32	0.240 +0.01/0	2.500 +0/-0.002	2.501 +0.002/0	2.937 +0.003/0	2.500 +0/-0.002	2.936 +0/-0.002	2.937 +0.002/0	\$ 11.36	
U21-2.81	2-13/16	3-1/4	7/32	0.240 +0.01/0	2.813 +0/-0.002	2.814 +0.002/0	3.250 +0.003/0	2.813 +0/-0.002	3.249 +0/-0.002	3.250 +0.002/0	10.84	
U21-3.00	3	3-7/16	7/32	0.240 +0.01/0	3.000 +0/-0.002	3.001 +0.002/0	3.437 +0.003/0	3.000 +0/-0.002	3.436 +0/-0.002	3.437 +0.002/0	10.45	



STYLE 800 POLYURETHANE U-SEALS

U-SEALS

Part Number	A NOM. I.D.	B NOM. O.D.	C NOM. HT.	D GROOVE WIDTH	E ROD DIAMETER	F THROAT DIAMETER	G HOUSING DIAMETER	H GROOVE DIAMETER	I PISTON DIAMETER	J BORE DIAMETER	List Price
1/4" C/S											
U25-025	1/4	3/4	1/4	0.275 +0.01/0	0.250 +0/-0.002	0.251 +0.003/0	0.750 +0.003/0	0.250 +0/-0.003	0.749 +0/-0.002	0.750 +0.003/0	\$ 4.99
U25-031	5/16	13/16	1/4	0.275 +0.01/0	0.250 +0/-0.002	0.251 +0.003/0	0.812 +0.003/0	0.250 +0/-0.003	0.811 +0/-0.002	0.812 +0.003/0	4.88
U25-037	3/8	7/8	1/4	0.275 +0.01/0	0.375 +0/-0.002	0.376 +0.003/0	0.875 +0.003/0	0.375 +0/-0.003	0.874 +0/-0.002	0.875 +0.003/0	4.99
U25-043	7/16	15/16	1/4	0.275 +0.01/0	0.437 +0/-0.002	0.438 +0.003/0	0.937 +0.003/0	0.437 +0/-0.003	0.936 +0/-0.002	0.937 +0.003/0	4.99
U25-043-37B	7/16	15/16	3/8	0.413 +0.01/0	0.437 +0/-0.002	0.438 +0.003/0	0.937 +0.003/0	0.437 +0/-0.003	0.936 +0/-0.002	0.937 +0.003/0	5.08
U25-050	1/2	1	1/4	0.275 +0.01/0	0.500 +0/-0.002	0.501 +0.003/0	1.000 +0.003/0	0.500 +0/-0.003	0.999 +0/-0.002	1.000 +0.003/0	4.99
U25-050-37B	1/2	1	3/8	0.413 +0.01/0	0.500 +0/-0.002	0.501 +0.003/0	1.000 +0.003/0	0.500 +0/-0.003	0.999 +0/-0.002	1.000 +0.003/0	5.17
U25-056	9/16	1-1/16	1/4	0.275 +0.01/0	0.562 +0/-0.002	0.563 +0.003/0	1.062 +0.003/0	0.562 +0/-0.003	1.061 +0/-0.002	1.062 +0.003/0	4.99
U25-062	5/8	1-1/8	1/4	0.275 +0.01/0	0.625 +0/-0.002	0.626 +0.003/0	1.125 +0.003/0	0.625 +0/-0.003	1.124 +0/-0.002	1.125 +0.003/0	4.99
U25-062-37B	5/8	1-1/8	3/8	0.413 +0.01/0	0.625 +0/-0.002	0.626 +0.003/0	1.125 +0.003/0	0.625 +0/-0.003	1.124 +0/-0.002	1.125 +0.003/0	5.37
U25-068	11/16	1-3/16	1/4	0.275 +0.01/0	0.687 +0/-0.002	0.688 +0.003/0	1.187 +0.003/0	0.687 +0/-0.003	1.186 +0/-0.002	1.187 +0.003/0	4.99
U25-068-37B	11/16	1-3/16	3/8	0.413 +0.01/0	0.687 +0/-0.002	0.688 +0.003/0	1.187 +0.003/0	0.687 +0/-0.003	1.186 +0/-0.002	1.187 +0.003/0	5.37
U25-075	3/4	1-1/4	1/4	0.275 +0.01/0	0.750 +0/-0.002	0.751 +0.003/0	1.250 +0.003/0	0.750 +0/-0.003	1.249 +0/-0.002	1.250 +0.003/0	4.71
U25-075-37B	3/4	1-1/4	3/8	0.413 +0.01/0	0.750 +0/-0.002	0.751 +0.003/0	1.250 +0.003/0	0.750 +0/-0.003	1.249 +0/-0.002	1.250 +0.003/0	5.37
U25-075-SQB	3/4	1-1/4	1/4	0.275 +0.01/0	0.750 +0/-0.002	0.751 +0.003/0	1.250 +0.003/0	0.750 +0/-0.003	1.249 +0/-0.002	1.250 +0.003/0	4.99
U25-081	13/16	1-5/16	1/4	0.275 +0.01/0	0.812 +0/-0.002	0.813 +0.003/0	1.312 +0.003/0	0.812 +0/-0.003	1.311 +0/-0.002	1.312 +0.003/0	4.74
U25-081-37B	13/16	1-5/16	3/8	0.413 +0.01/0	0.812 +0/-0.002	0.813 +0.003/0	1.312 +0.003/0	0.812 +0/-0.003	1.311 +0/-0.002	1.312 +0.003/0	6.20
U25-087-37B	7/8	1-3/8	3/8	0.413 +0.01/0	0.875 +0/-0.002	0.876 +0.003/0	1.375 +0.003/0	0.875 +0/-0.003	1.374 +0/-0.002	1.375 +0.003/0	5.58
U25-087-37D	7/8	1-3/8	3/8	0.413 +0.01/0	0.875 +0/-0.002	0.876 +0.003/0	1.375 +0.003/0	0.875 +0/-0.003	1.374 +0/-0.002	1.375 +0.003/0	7.19
U25-087-SQB	7/8	1-3/8	1/4	0.275 +0.01/0	0.875 +0/-0.002	0.876 +0.003/0	1.375 +0.003/0	0.875 +0/-0.003	1.374 +0/-0.002	1.375 +0.003/0	5.08
U25-093	15/16	1-7/16	1/4	0.275 +0.01/0	0.937 +0/-0.002	0.938 +0.003/0	1.437 +0.003/0	0.937 +0/-0.003	1.436 +0/-0.002	1.437 +0.003/0	5.10
U25-1.00	1	1-1/2	1/4	0.275 +0.01/0	1.000 +0/-0.002	1.001 +0.003/0	1.500 +0.003/0	1.000 +0/-0.003	1.499 +0/-0.002	1.500 +0.003/0	4.87
U25-1.00-37B	1	1-1/2	3/8	0.413 +0.01/0	1.000 +0/-0.002	1.001 +0.003/0	1.500 +0.003/0	1.000 +0/-0.003	1.499 +0/-0.002	1.500 +0.003/0	5.41
U25-1.00-37D	1	1-1/2	3/8	0.413 +0.01/0	1.000 +0/-0.002	1.001 +0.003/0	1.500 +0.003/0	1.000 +0/-0.003	1.499 +0/-0.002	1.500 +0.003/0	6.22
U25-1.00-SQB	1	1-1/2	1/4	0.275 +0.01/0	1.000 +0/-0.002	1.001 +0.003/0	1.500 +0.003/0	1.000 +0/-0.003	1.499 +0/-0.002	1.500 +0.003/0	4.87
U25-1.06	1-1/16	1-9/16	1/4	0.275 +0.01/0	1.062 +0/-0.002	1.063 +0.003/0	1.562 +0.003/0	1.062 +0/-0.003	1.561 +0/-0.002	1.562 +0.003/0	5.23
U25-1.09	1-3/32	1-19/32	1/4	0.275 +0.01/0	1.094 +0/-0.002	1.095 +0.003/0	1.594 +0.003/0	1.094 +0/-0.003	1.593 +0/-0.002	1.594 +0.003/0	5.07
U25-1.12	1-1/8	1-5/8	1/4	0.275 +0.01/0	1.125 +0/-0.002	1.126 +0.003/0	1.625 +0.003/0	1.125 +0/-0.003	1.624 +0/-0.002	1.625 +0.003/0	5.08
U25-1.12-37B	1-1/8	1-5/8	3/8	0.413 +0.01/0	1.125 +0/-0.002	1.126 +0.003/0	1.625 +0.003/0	1.125 +0/-0.003	1.624 +0/-0.002	1.625 +0.003/0	5.84
U25-1.12-SQB	1-1/8	1-5/8	1/4	0.275 +0.01/0	1.125 +0/-0.002	1.126 +0.003/0	1.625 +0.003/0	1.125 +0/-0.003	1.624 +0/-0.002	1.625 +0.003/0	7.15
U25-1.18	1-3/16	1-11/16	1/4	0.275 +0.01/0	1.187 +0/-0.002	1.188 +0.003/0	1.687 +0.003/0	1.187 +0/-0.003	1.686 +0/-0.002	1.687 +0.003/0	5.34
U25-1.25	1-1/4	1-3/4	1/4	0.413 +0.01/0	1.250 +0/-0.002	1.251 +0.003/0	1.750 +0.003/0	1.250 +0/-0.003	1.749 +0/-0.002	1.750 +0.003/0	5.17
U25-1.25-37B	1-1/4	1-3/4	3/8	0.413 +0.01/0	1.250 +0/-0.002	1.251 +0.003/0	1.750 +0.003/0	1.250 +0/-0.003	1.749 +0/-0.002	1.750 +0.003/0	5.86
U25-1.25-37D	1-1/4	1-3/4	3/8	0.413 +0.01/0	1.250 +0/-0.002	1.251 +0.003/0	1.750 +0.003/0	1.250 +0/-0.003	1.749 +0/-0.002	1.750 +0.003/0	5.86
U25-1.25-SQB	1-1/4	1-3/4	1/4	0.275 +0.01/0	1.250 +0/-0.002	1.251 +0.003/0	1.750 +0.003/0	1.250 +0/-0.003	1.749 +0/-0.002	1.750 +0.003/0	5.17
U25-1.31	1-5/16	1-13/16	1/4	0.275 +0.01/0	1.312 +0/-0.002	1.313 +0.003/0	1.812 +0.003/0	1.312 +0/-0.003	1.811 +0/-0.002	1.812 +0.003/0	5.60
U25-1.31-37B	1-5/16	1-13/16	3/8	0.413 +0.01/0	1.312 +0/-0.002	1.313 +0.003/0	1.812 +0.003/0	1.312 +0/-0.003	1.811 +0/-0.002	1.812 +0.003/0	5.86
U25-1.37	1-3/8	1-7/8	1/4	0.275 +0.01/0	1.375 +0/-0.002	1.376 +0.003/0	1.875 +0.003/0	1.375 +0/-0.003	1.874 +0/-0.002	1.875 +0.003/0	6.59
U25-1.37-37B	1-3/8	1-7/8	3/8	0.413 +0.01/0	1.375 +0/-0.002	1.376 +0.003/0	1.875 +0.003/0	1.375 +0/-0.003	1.874 +0/-0.002	1.875 +0.003/0	6.06
U25-1.37-SQB	1-3/8	1-7/8	1/4	0.275 +0.01/0	1.375 +0/-0.002	1.376 +0.003/0	1.875 +0.003/0	1.375 +0/-0.003	1.874 +0/-0.002	1.875 +0.003/0	5.84
U25-1.43	1-7/16	1-15/16	1/4	0.275 +0.01/0	1.437 +0/-0.002	1.438 +0.003/0	1.937 +0.003/0	1.437 +0/-0.003	1.936 +0/-0.002	1.937 +0.003/0	5.98
U25-1.43-37B	1-7/16	1-15/16	1/4	0.275 +0.01/0	1.437 +0/-0.002	1.438 +0.003/0	1.937 +0.003/0	1.437 +0/-0.003	1.936 +0/-0.002	1.937 +0.003/0	6.36

STYLE 800 POLYURETHANE U-SEALS



U-SEALS

Part Number	A NOM. I.D.	B NOM. O.D.	C NOM. HT.	D GROOVE WIDTH	E ROD DIAMETER	F THROAT DIAMETER	G HOUSING DIAMETER	H GROOVE DIAMETER	I PISTON DIAMETER	J BORE DIAMETER	List Price	
1/4" C/S												
U25-1.50	1-1/2	2	1/4	0.275 +0.01/0	1.500 +0/-0.002	1.501 +0.003/0	2.000 +0.003/0	1.500 +0/-0.003	1.999 +0/-0.002	2.000 +0.003/0	\$ 5.98	
U25-1.50-31B	1-1/2	2	5/16	0.344 +0.01/0	1.500 +0/-0.002	1.501 +0.003/0	2.000 +0.003/0	1.500 +0/-0.003	1.999 +0/-0.002	2.000 +0.003/0	6.65	
U25-1.50-37B	1-1/2	2	3/8	0.413 +0.01/0	1.500 +0/-0.002	1.501 +0.003/0	2.000 +0.003/0	1.500 +0/-0.003	1.999 +0/-0.002	2.000 +0.003/0	6.65	
U25-1.50-37D	1-1/2	2	3/8	0.413 +0.01/0	1.500 +0/-0.002	1.501 +0.003/0	2.000 +0.003/0	1.500 +0/-0.003	1.999 +0/-0.002	2.000 +0.003/0	7.35	
U25-1.50-50B	1-1/2	2	1/2	0.550 +0.01/0	1.500 +0/-0.002	1.501 +0.003/0	2.000 +0.003/0	1.500 +0/-0.003	1.999 +0/-0.002	2.000 +0.003/0	7.00	
U25-1.50-SQB	1-1/2	2	1/4	0.275 +0.01/0	1.500 +0/-0.002	1.501 +0.003/0	2.000 +0.003/0	1.500 +0/-0.003	1.999 +0/-0.002	2.000 +0.003/0	5.89	
U25-1.62	1-5/8	2-1/8	1/4	0.275 +0.01/0	1.625 +0/-0.002	1.626 +0.003/0	2.125 +0.003/0	1.625 +0/-0.003	2.124 +0/-0.002	2.125 +0.003/0	6.54	
U25-1.62-37B	1-5/8	2-1/8	3/8	0.413 +0.01/0	1.625 +0/-0.002	1.626 +0.003/0	2.125 +0.003/0	1.625 +0/-0.003	2.124 +0/-0.002	2.125 +0.003/0	7.24	
U25-1.75	1-3/4	2-1/4	1/4	0.275 +0.01/0	1.750 +0/-0.002	1.751 +0.003/0	2.250 +0.003/0	1.750 +0/-0.003	2.249 +0/-0.002	2.250 +0.003/0	6.84	
U25-1.75-31B	1-3/4	2-1/4	5/16	0.344 +0.01/0	1.750 +0/-0.002	1.751 +0.003/0	2.250 +0.003/0	1.750 +0/-0.003	2.249 +0/-0.002	2.250 +0.003/0	8.09	
U25-1.75-37B	1-3/4	2-1/4	3/8	0.413 +0.01/0	1.750 +0/-0.002	1.751 +0.003/0	2.250 +0.003/0	1.750 +0/-0.003	2.249 +0/-0.002	2.250 +0.003/0	7.27	
U25-1.75-37D	1-3/4	2-1/4	3/8	0.413 +0.01/0	1.750 +0/-0.002	1.751 +0.003/0	2.250 +0.003/0	1.750 +0/-0.003	2.249 +0/-0.002	2.250 +0.003/0	7.41	
U25-1.75-SQB	1-3/4	2-1/4	1/4	0.275 +0.01/0	1.750 +0/-0.002	1.751 +0.003/0	2.250 +0.003/0	1.750 +0/-0.003	2.249 +0/-0.002	2.250 +0.003/0	10.41	
U25-1.87	1-7/8	2-3/8	1/4	0.275 +0.01/0	1.875 +0/-0.002	1.876 +0.003/0	2.375 +0.003/0	1.875 +0/-0.003	2.374 +0/-0.002	2.375 +0.003/0	7.24	
U25-1.87-37B	1-7/8	2-3/8	3/8	0.413 +0.01/0	1.875 +0/-0.002	1.876 +0.003/0	2.375 +0.003/0	1.875 +0/-0.003	2.374 +0/-0.002	2.375 +0.003/0	7.99	
U25-2.00	2	2-1/2	1/4	0.275 +0.01/0	2.000 +0/-0.002	2.001 +0.003/0	2.500 +0.003/0	2.000 +0/-0.003	2.499 +0/-0.002	2.500 +0.003/0	7.32	
U25-2.00-31B	2	2-1/2	5/16	0.344 +0.01/0	2.000 +0/-0.002	2.001 +0.003/0	2.500 +0.003/0	2.000 +0/-0.003	2.499 +0/-0.002	2.500 +0.003/0	7.26	
U25-2.00-37B	2	2-1/2	3/8	0.413 +0.01/0	2.000 +0/-0.002	2.001 +0.003/0	2.500 +0.003/0	2.000 +0/-0.003	2.499 +0/-0.002	2.500 +0.003/0	7.97	
U25-2.00-37D	2	2-1/2	3/8	0.413 +0.01/0	2.000 +0/-0.002	2.001 +0.003/0	2.500 +0.003/0	2.000 +0/-0.003	2.499 +0/-0.002	2.500 +0.003/0	7.97	
U25-2.00-SQB	2	2-1/2	1/4	0.275 +0.01/0	2.000 +0/-0.002	2.001 +0.003/0	2.500 +0.003/0	2.000 +0/-0.003	2.499 +0/-0.002	2.500 +0.003/0	7.27	
U25-2.12	2-1/8	2-5/8	1/4	0.275 +0.01/0	2.125 +0/-0.002	2.126 +0.003/0	2.625 +0.003/0	2.125 +0/-0.003	2.624 +0/-0.002	2.625 +0.003/0	8.02	
U25-2.12-37B	2-1/8	2-5/8	3/8	0.413 +0.01/0	2.125 +0/-0.002	2.126 +0.003/0	2.625 +0.003/0	2.125 +0/-0.003	2.624 +0/-0.002	2.625 +0.003/0	8.86	
U25-2.18-37B	2-3/16	2-11/16	3/8	0.413 +0.01/0	2.188 +0/-0.002	2.189 +0.003/0	2.688 +0.003/0	2.188 +0/-0.003	2.687 +0/-0.002	2.688 +0.003/0	9.45	
U25-2.25	2-1/4	2-3/4	1/4	0.275 +0.01/0	2.250 +0/-0.002	2.251 +0.003/0	2.750 +0.003/0	2.250 +0/-0.003	2.749 +0/-0.002	2.750 +0.003/0	8.37	
U25-2.25-37B	2-1/4	2-3/4	3/8	0.413 +0.01/0	2.250 +0/-0.002	2.251 +0.003/0	2.750 +0.003/0	2.250 +0/-0.003	2.749 +0/-0.002	2.750 +0.003/0	8.95	
U25-2.25-37D	2-1/4	2-3/4	3/8	0.413 +0.01/0	2.250 +0/-0.002	2.251 +0.003/0	2.750 +0.003/0	2.250 +0/-0.003	2.749 +0/-0.002	2.750 +0.003/0	10.08	
U25-2.37	2-3/8	2-7/8	1/4	0.275 +0.01/0	2.375 +0/-0.002	2.376 +0.003/0	2.875 +0.003/0	2.375 +0/-0.003	2.874 +0/-0.002	2.875 +0.003/0	8.85	
U25-2.37-37B	2-3/8	2-7/8	3/8	0.413 +0.01/0	2.375 +0/-0.002	2.376 +0.003/0	2.875 +0.003/0	2.375 +0/-0.003	2.874 +0/-0.002	2.875 +0.003/0	9.83	
U25-2.50	2-1/2	3	1/4	0.275 +0.01/0	2.500 +0/-0.002	2.501 +0.003/0	3.000 +0.003/0	2.500 +0/-0.003	2.999 +0/-0.002	3.000 +0.003/0	8.80	
U25-2.50-31B	2-1/2	3	5/16	0.344 +0.01/0	2.500 +0/-0.002	2.501 +0.003/0	3.000 +0.003/0	2.500 +0/-0.003	2.999 +0/-0.002	3.000 +0.003/0	10.13	
U25-2.50-31D	2-1/2	3	5/16	0.344 +0.01/0	2.500 +0/-0.002	2.501 +0.003/0	3.000 +0.003/0	2.500 +0/-0.003	2.999 +0/-0.002	3.000 +0.003/0	11.04	
U25-2.50-37B	2-1/2	3	3/8	0.413 +0.01/0	2.500 +0/-0.002	2.501 +0.003/0	3.000 +0.003/0	2.500 +0/-0.003	2.999 +0/-0.002	3.000 +0.003/0	9.84	
U25-2.50-37D	2-1/2	3	3/8	0.413 +0.01/0	2.500 +0/-0.002	2.501 +0.003/0	3.000 +0.003/0	2.500 +0/-0.003	2.999 +0/-0.002	3.000 +0.003/0	9.84	
U25-2.50-50B	2-1/2	3	1/2	0.550 +0.01/0	2.500 +0/-0.002	2.501 +0.003/0	3.000 +0.003/0	2.500 +0/-0.003	2.999 +0/-0.002	3.000 +0.003/0	9.84	
U25-2.50-SQB	2-1/2	3	1/4	0.275 +0.01/0	2.500 +0/-0.002	2.501 +0.003/0	3.000 +0.003/0	2.500 +0/-0.003	2.999 +0/-0.002	3.000 +0.003/0	8.80	
U25-2.62	2-5/8	3-1/8	1/4	0.275 +0.01/0	2.625 +0/-0.002	2.626 +0.003/0	3.125 +0.003/0	2.625 +0/-0.003	3.124 +0/-0.002	3.125 +0.003/0	9.87	
U25-2.62-37B	2-5/8	3-1/8	3/8	0.413 +0.01/0	2.625 +0/-0.002	2.626 +0.003/0	3.125 +0.003/0	2.625 +0/-0.003	3.124 +0/-0.002	3.125 +0.003/0	10.26	
U25-2.75	2-3/4	3-1/4	1/4	0.275 +0.01/0	2.750 +0/-0.002	2.751 +0.003/0	3.250 +0.003/0	2.750 +0/-0.003	3.249 +0/-0.002	3.250 +0.003/0	9.55	
U25-2.75-37B	2-3/4	3-1/4	3/8	0.413 +0.01/0	2.750 +0/-0.002	2.751 +0.003/0	3.250 +0.003/0	2.750 +0/-0.003	3.249 +0/-0.002	3.250 +0.003/0	10.75	
U25-2.75-37D	2-3/4	3-1/4	3/8	0.413 +0.01/0	2.750 +0/-0.002	2.751 +0.003/0	3.250 +0.003/0	2.750 +0/-0.003	3.249 +0/-0.002	3.250 +0.003/0	10.75	
U25-2.75-50B	2-3/4	3-1/4	1/2	0.550 +0.01/0	2.750 +0/-0.002	2.751 +0.003/0	3.250 +0.003/0	2.750 +0/-0.003	3.249 +0/-0.002	3.250 +0.003/0	10.90	
U25-2.75-SQB	2-3/4	3-1/4	1/4	0.275 +0.01/0	2.750 +0/-0.002	2.751 +0.003/0	3.250 +0.003/0	2.750 +0/-0.003	3.249 +0/-0.002	3.250 +0.003/0	9.55	



STYLE 800 POLYURETHANE U-SEALS

U-SEALS

Part Number	A NOM. I.D.	B NOM. O.D.	C NOM. HT.	D GROOVE WIDTH	E ROD DIAMETER	F THROAT DIAMETER	G HOUSING DIAMETER	H GROOVE DIAMETER	I PISTON DIAMETER	J BORE DIAMETER	List Price	
1/4" C/S												
U25-2.87	2-7/8	3-3/8	1/4	0.275 +0.01/0	2.875 +0/-0.002	2.876 +0.003/0	3.375 +0.003/0	2.875 +0/-0.003	3.374 +0/-0.002	3.375 +0.003/0	\$ 10.37	
U25-2.87-37B	2-7/8	3-3/8	3/8	0.413 +0.01/0	2.875 +0/-0.002	2.876 +0.003/0	3.375 +0.003/0	2.875 +0/-0.003	3.374 +0/-0.002	3.375 +0.003/0	11.16	
U25-3.00	3	3-1/2	1/4	0.275 +0.01/0	3.000 +0/-0.002	3.001 +0.003/0	3.500 +0.003/0	3.000 +0/-0.003	3.499 +0/-0.002	3.500 +0.003/0	10.26	
U25-3.00-37B	3	3-1/2	3/8	0.413 +0.01/0	3.000 +0/-0.002	3.001 +0.003/0	3.500 +0.003/0	3.000 +0/-0.003	3.499 +0/-0.002	3.500 +0.003/0	11.61	
U25-3.00-37D	3	3-1/2	3/8	0.413 +0.01/0	3.000 +0/-0.002	3.001 +0.003/0	3.500 +0.003/0	3.000 +0/-0.003	3.499 +0/-0.002	3.500 +0.003/0	11.61	
U25-3.00-SQB	3	3-1/2	1/4	0.275 +0.01/0	3.000 +0/-0.002	3.001 +0.003/0	3.500 +0.003/0	3.000 +0/-0.003	3.499 +0/-0.002	3.500 +0.003/0	10.26	
U25-3.12	3-1/8	3-5/8	1/4	0.275 +0.01/0	3.125 +0/-0.002	3.126 +0.003/0	3.625 +0.003/0	3.125 +0/-0.003	3.624 +0/-0.002	3.625 +0.003/0	11.21	
U25-3.12-37B	3-1/8	3-5/8	3/8	0.413 +0.01/0	3.125 +0/-0.002	3.126 +0.003/0	3.625 +0.003/0	3.125 +0/-0.003	3.624 +0/-0.002	3.625 +0.003/0	14.43	
U25-3.25	3-1/4	3-3/4	1/4	0.275 +0.01/0	3.250 +0/-0.002	3.251 +0.003/0	3.750 +0.003/0	3.250 +0/-0.003	3.749 +0/-0.002	3.750 +0.003/0	11.52	
U25-3.25-37B	3-1/4	3-3/4	3/8	0.413 +0.01/0	3.250 +0/-0.002	3.251 +0.003/0	3.750 +0.003/0	3.250 +0/-0.003	3.749 +0/-0.002	3.750 +0.003/0	12.51	
U25-3.25-37D	3-1/4	3-3/4	3/8	0.413 +0.01/0	3.250 +0/-0.002	3.251 +0.003/0	3.750 +0.003/0	3.250 +0/-0.003	3.749 +0/-0.002	3.750 +0.003/0	12.51	
U25-3.25-50B	3-1/4	3-3/4	1/2	0.550 +0.01/0	3.250 +0/-0.002	3.251 +0.003/0	3.750 +0.003/0	3.250 +0/-0.003	3.749 +0/-0.002	3.750 +0.003/0	13.05	
U25-3.37	3-3/8	3-7/8	1/4	0.275 +0.01/0	3.375 +0/-0.002	3.376 +0.003/0	3.875 +0.003/0	3.375 +0/-0.003	3.874 +0/-0.002	3.875 +0.003/0	13.40	
U25-3.37-37B	3-3/8	3-7/8	3/8	0.413 +0.01/0	3.375 +0/-0.002	3.376 +0.003/0	3.875 +0.003/0	3.375 +0/-0.003	3.874 +0/-0.002	3.875 +0.003/0	12.96	
U25-3.37-SQB	3-3/8	3-7/8	1/4	0.275 +0.01/0	3.375 +0/-0.002	3.376 +0.003/0	3.875 +0.003/0	3.375 +0/-0.003	3.874 +0/-0.002	3.875 +0.003/0	11.93	
U25-3.50	3-1/2	4	1/4	0.275 +0.01/0	3.500 +0/-0.002	3.501 +0.003/0	4.000 +0.003/0	3.500 +0/-0.003	3.999 +0/-0.002	4.000 +0.003/0	12.31	
U25-3.50-37B	3-1/2	4	3/8	0.413 +0.01/0	3.500 +0/-0.002	3.501 +0.003/0	4.000 +0.003/0	3.500 +0/-0.003	3.999 +0/-0.002	4.000 +0.003/0	13.40	
U25-3.50-37D	3-1/2	4	3/8	0.413 +0.01/0	3.500 +0/-0.002	3.501 +0.003/0	4.000 +0.003/0	3.500 +0/-0.003	3.999 +0/-0.002	4.000 +0.003/0	13.40	
U25-3.50-50B	3-1/2	4	1/2	0.550 +0.01/0	3.500 +0/-0.002	3.501 +0.003/0	4.000 +0.003/0	3.500 +0/-0.003	3.999 +0/-0.002	4.000 +0.003/0	13.61	
U25-3.50-50D	3-1/2	4	1/2	0.550 +0.01/0	3.500 +0/-0.002	3.501 +0.003/0	4.000 +0.003/0	3.500 +0/-0.003	3.999 +0/-0.002	4.000 +0.003/0	15.59	
U25-3.50-SQB	3-1/2	4	1/4	0.275 +0.01/0	3.500 +0/-0.002	3.501 +0.003/0	4.000 +0.003/0	3.500 +0/-0.003	3.999 +0/-0.002	4.000 +0.003/0	12.31	
U25-3.62	3-5/8	4-1/8	1/4	0.275 +0.01/0	3.625 +0/-0.002	3.626 +0.003/0	4.125 +0.003/0	3.625 +0/-0.003	4.124 +0/-0.002	4.125 +0.003/0	12.71	
U25-3.69-50B	3.690	4.190	1/2	0.550 +0.01/0	3.690 +0/-0.002	3.691 +0.003/0	4.190 +0.003/0	3.690 +0/-0.003	4.189 +0/-0.002	4.190 +0.003/0	17.37	
U25-3.75-37B	3-3/4	4-1/4	3/8	0.413 +0.01/0	3.750 +0/-0.002	3.751 +0.003/0	4.250 +0.003/0	3.750 +0/-0.003	4.249 +0/-0.002	4.250 +0.003/0	14.17	
U25-3.75-50B	3-3/4	4-1/4	1/2	0.550 +0.01/0	3.750 +0/-0.002	3.751 +0.003/0	4.250 +0.003/0	3.750 +0/-0.003	4.249 +0/-0.002	4.250 +0.003/0	14.17	
U25-3.75-56B	3-3/4	4-1/4	9/16	0.619 +0.01/0	3.750 +0/-0.002	3.751 +0.003/0	4.250 +0.003/0	3.750 +0/-0.003	4.249 +0/-0.002	4.250 +0.003/0	14.17	
U25-3.75-SQB	3-3/4	4-1/4	1/4	0.275 +0.01/0	3.750 +0/-0.002	3.751 +0.003/0	4.250 +0.003/0	3.750 +0/-0.003	4.249 +0/-0.002	4.250 +0.003/0	13.15	
U25-3.87	3-7/8	4-3/8	1/4	0.275 +0.01/0	3.875 +0/-0.002	3.876 +0.003/0	4.375 +0.003/0	3.875 +0/-0.003	4.374 +0/-0.002	4.375 +0.003/0	13.49	
U25-4.00	4	4-1/2	1/4	0.275 +0.01/0	4.000 +0/-0.002	4.001 +0.003/0	4.500 +0.003/0	4.000 +0/-0.003	4.499 +0/-0.002	4.500 +0.003/0	13.22	
U25-4.00-31B	4	4-1/2	5/16	0.344 +0.01/0	4.000 +0/-0.002	4.001 +0.003/0	4.500 +0.003/0	4.000 +0/-0.003	4.499 +0/-0.002	4.500 +0.003/0	15.42	
U25-4.00-37B	4	4-1/2	3/8	0.413 +0.01/0	4.000 +0/-0.002	4.001 +0.003/0	4.500 +0.003/0	4.000 +0/-0.003	4.499 +0/-0.002	4.500 +0.003/0	15.42	
U25-4.00-37D	4	4-1/2	3/8	0.413 +0.01/0	4.000 +0/-0.002	4.001 +0.003/0	4.500 +0.003/0	4.000 +0/-0.003	4.499 +0/-0.002	4.500 +0.003/0	15.42	
U25-4.00-50B	4	4-1/2	1/2	0.550 +0.01/0	4.000 +0/-0.002	4.001 +0.003/0	4.500 +0.003/0	4.000 +0/-0.003	4.499 +0/-0.002	4.500 +0.003/0	16.65	
U25-4.00-50D	4	4-1/2	1/2	0.550 +0.01/0	4.000 +0/-0.002	4.001 +0.003/0	4.500 +0.003/0	4.000 +0/-0.003	4.499 +0/-0.002	4.500 +0.003/0	15.42	
U25-4.00-56B	4	4-1/2	9/16	0.619 +0.01/0	4.000 +0/-0.002	4.001 +0.003/0	4.500 +0.003/0	4.000 +0/-0.003	4.499 +0/-0.002	4.500 +0.003/0	15.42	
U25-4.00-56D	4	4-1/2	9/16	0.619 +0.01/0	4.000 +0/-0.002	4.001 +0.003/0	4.500 +0.003/0	4.000 +0/-0.003	4.499 +0/-0.002	4.500 +0.003/0	18.29	
U25-4.00-56F	4	4-1/2	9/16	0.619 +0.01/0	4.000 +0/-0.002	4.001 +0.003/0	4.500 +0.003/0	4.000 +0/-0.003	4.499 +0/-0.002	4.500 +0.003/0	23.77	
U25-4.00-SQB	4	4-1/2	1/4	0.275 +0.01/0	4.000 +0/-0.002	4.001 +0.003/0	4.500 +0.003/0	4.000 +0/-0.003	4.499 +0/-0.002	4.500 +0.003/0	13.22	
U25-4.12	4-1/8	4-5/8	1/4	0.275 +0.01/0	4.125 +0/-0.002	4.126 +0.003/0	4.625 +0.003/0	4.125 +0/-0.003	4.624 +0/-0.002	4.625 +0.003/0	14.31	
U25-4.12-37B	4-1/8	4-5/8	3/8	0.413 +0.01/0	4.125 +0/-0.002	4.126 +0.003/0	4.625 +0.003/0	4.125 +0/-0.003	4.624 +0/-0.002	4.625 +0.003/0	16.84	
U25-4.25	4-1/4	4-3/4	1/4	0.275 +0.01/0	4.250 +0/-0.002	4.251 +0.003/0	4.750 +0.003/0	4.250 +0/-0.003	4.749 +0/-0.002	4.750 +0.003/0	14.64	
U25-4.25-37B	4-1/4	4-3/4	3/8	0.413 +0.01/0	4.250 +0/-0.002	4.251 +0.003/0	4.750 +0.003/0	4.250 +0/-0.003	4.749 +0/-0.002	4.750 +0.003/0	18.46	
U25-4.25-56B	4-1/4	4-3/4	9/16	0.619 +0.01/0	4.250 +0/-0.002	4.251 +0.003/0	4.750 +0.003/0	4.250 +0/-0.003	4.749 +0/-0.002	4.750 +0.003/0	18.46	

STYLE 800 POLYURETHANE U-SEALS



U-SEALS

Part Number	A NOM. I.D.	B NOM. O.D.	C NOM. HT.	D GROOVE WIDTH	E ROD DIAMETER	F THROAT DIAMETER	G HOUSING DIAMETER	H GROOVE DIAMETER	I PISTON DIAMETER	J BORE DIAMETER	List Price	
1/4" C/S												
U25-4.37-56B	4-3/8	4-7/8	9/16	0.619 +0.01/0	4.375 +0/-0.002	4.376 +0.003/0	4.875 +0.003/0	4.375 +0/-0.003	4.874 +0/-0.002	4.875 +0.003/0	\$ 18.18	
U25-4.37-SQB	4-3/8	4-7/8	1/4	0.275 +0.01/0	4.375 +0/-0.002	4.376 +0.003/0	4.875 +0.003/0	4.375 +0/-0.003	4.874 +0/-0.002	4.875 +0.003/0	15.00	
U25-4.50	4-1/2	5	1/4	0.275 +0.01/0	4.500 +0/-0.002	4.501 +0.003/0	5.000 +0.003/0	4.500 +0/-0.003	4.999 +0/-0.002	5.000 +0.003/0	14.78	
U25-4.50-31B	4-1/2	5	5/16	0.344 +0.01/0	4.500 +0/-0.002	4.501 +0.003/0	5.000 +0.003/0	4.500 +0/-0.003	4.999 +0/-0.002	5.000 +0.003/0	18.29	
U25-4.50-37B	4-1/2	5	3/8	0.413 +0.01/0	4.500 +0/-0.002	4.501 +0.003/0	5.000 +0.003/0	4.500 +0/-0.003	4.999 +0/-0.002	5.000 +0.003/0	18.29	
U25-4.50-37D	4-1/2	5	3/8	0.413 +0.01/0	4.500 +0/-0.002	4.501 +0.003/0	5.000 +0.003/0	4.500 +0/-0.003	4.999 +0/-0.002	5.000 +0.003/0	18.29	
U25-4.50-50B	4-1/2	5	1/2	0.550 +0.01/0	4.500 +0/-0.002	4.501 +0.003/0	5.000 +0.003/0	4.500 +0/-0.003	4.999 +0/-0.002	5.000 +0.003/0	18.29	
U25-4.50-50D	4-1/2	5	1/2	0.550 +0.01/0	4.500 +0/-0.002	4.501 +0.003/0	5.000 +0.003/0	4.500 +0/-0.003	4.999 +0/-0.002	5.000 +0.003/0	18.29	
U25-4.50-56B	4-1/2	5	9/16	0.619 +0.01/0	4.500 +0/-0.002	4.501 +0.003/0	5.000 +0.003/0	4.500 +0/-0.003	4.999 +0/-0.002	5.000 +0.003/0	18.29	
U25-4.50-56D	4-1/2	5	9/16	0.619 +0.01/0	4.500 +0/-0.002	4.501 +0.003/0	5.000 +0.003/0	4.500 +0/-0.003	4.999 +0/-0.002	5.000 +0.003/0	18.29	
U25-4.50-62B	4-1/2	5	5/8	0.688 +0.01/0	4.500 +0/-0.002	4.501 +0.003/0	5.000 +0.003/0	4.500 +0/-0.003	4.999 +0/-0.002	5.000 +0.003/0	21.56	
U25-4.62-56B	4-5/8	5-1/8	9/16	0.616 +0.01/0	4.625 +0/-0.002	4.626 +0.003/0	5.125 +0.003/0	4.625 +0/-0.003	5.124 +0/-0.002	5.125 +0.003/0	19.46	
U25-4.62-SQB	4-5/8	5-1/8	1/4	0.275 +0.01/0	4.625 +0/-0.002	4.626 +0.003/0	5.125 +0.003/0	4.625 +0/-0.003	5.124 +0/-0.002	5.125 +0.003/0	15.12	
U25-4.62-SQB	3	3-1/2	1/4	0.275 +0.01/0	4.625 +0/-0.002	4.626 +0.003/0	5.125 +0.003/0	4.625 +0/-0.003	5.124 +0/-0.002	5.125 +0.003/0	15.12	
U25-4.75	4-3/4	5-1/4	1/4	0.275 +0.01/0	4.750 +0/-0.002	4.751 +0.003/0	5.250 +0.003/0	4.750 +0/-0.003	5.249 +0/-0.002	5.250 +0.003/0	15.52	
U25-4.75-37B	4-3/4	5-1/4	3/8	0.413 +0.01/0	4.750 +0/-0.002	4.751 +0.003/0	5.250 +0.003/0	4.750 +0/-0.003	5.249 +0/-0.002	5.250 +0.003/0	20.08	
U25-4.75-56B	4-3/4	5-1/4	9/16	0.616 +0.01/0	4.750 +0/-0.002	4.751 +0.003/0	5.250 +0.003/0	4.750 +0/-0.003	5.249 +0/-0.002	5.250 +0.003/0	20.08	
U25-4.87	4-7/8	5-3/8	1/4	0.275 +0.01/0	4.875 +0/-0.002	4.876 +0.003/0	5.375 +0.003/0	4.875 +0/-0.003	5.374 +0/-0.002	5.375 +0.003/0	16.67	
U25-5.00	5	5-1/2	1/4	0.275 +0.01/0	5.000 +0/-0.002	5.001 +0.003/0	5.500 +0.003/0	5.000 +0/-0.003	5.499 +0/-0.002	5.500 +0.003/0	16.25	
U25-5.00-37B	5	5-1/2	3/8	0.413 +0.01/0	5.000 +0/-0.002	5.001 +0.003/0	5.500 +0.003/0	5.000 +0/-0.003	5.499 +0/-0.002	5.500 +0.003/0	21.16	
U25-5.00-50B	5	5-1/2	1/2	0.550 +0.01/0	5.000 +0/-0.002	5.001 +0.003/0	5.500 +0.003/0	5.000 +0/-0.003	5.499 +0/-0.002	5.500 +0.003/0	21.16	
U25-5.00-50D	5	5-1/2	1/2	0.550 +0.01/0	5.000 +0/-0.002	5.001 +0.003/0	5.500 +0.003/0	5.000 +0/-0.003	5.499 +0/-0.002	5.500 +0.003/0	21.16	
U25-5.00-56B	5	5-1/2	9/16	0.616 +0.01/0	5.000 +0/-0.002	5.001 +0.003/0	5.500 +0.003/0	5.000 +0/-0.003	5.499 +0/-0.002	5.500 +0.003/0	21.16	
U25-5.12	5-1/8	5-5/8	1/4	0.275 +0.01/0	5.125 +0/-0.002	5.126 +0.003/0	5.625 +0.003/0	5.125 +0/-0.003	5.624 +0/-0.002	5.625 +0.003/0	17.39	
U25-5.25	5-1/4	5-3/4	1/4	0.275 +0.01/0	5.250 +0/-0.002	5.251 +0.003/0	5.750 +0.003/0	5.250 +0/-0.003	5.749 +0/-0.002	5.750 +0.003/0	16.77	
U25-5.25-37B	5-1/4	5-3/4	3/8	0.413 +0.01/0	5.250 +0/-0.002	5.251 +0.003/0	5.750 +0.003/0	5.250 +0/-0.003	5.749 +0/-0.002	5.750 +0.003/0	24.07	
U25-5.25-56B	5-1/4	5-3/4	9/16	0.616 +0.01/0	5.250 +0/-0.002	5.251 +0.003/0	5.750 +0.003/0	5.250 +0/-0.003	5.749 +0/-0.002	5.750 +0.003/0	24.07	
U25-5.37	5-3/8	5-7/8	1/4	0.275 +0.01/0	5.375 +0/-0.002	5.376 +0.003/0	5.875 +0.003/0	5.375 +0/-0.003	5.874 +0/-0.002	5.875 +0.003/0	18.22	
U25-5.50	5-1/2	6	1/4	0.275 +0.01/0	5.500 +0/-0.002	5.501 +0.003/0	6.000 +0.003/0	5.500 +0/-0.003	5.999 +0/-0.002	6.000 +0.003/0	18.70	
U25-5.50-37B	5-1/2	6	3/8	0.275 +0.01/0	5.500 +0/-0.002	5.501 +0.003/0	6.000 +0.003/0	5.500 +0/-0.003	5.999 +0/-0.002	6.000 +0.003/0	24.70	
U25-5.50-50D	5-1/2	6	1/2	0.550 +0.01/0	5.500 +0/-0.002	5.501 +0.003/0	6.000 +0.003/0	5.500 +0/-0.003	5.999 +0/-0.002	6.000 +0.003/0	25.95	
U25-5.50-56B	5-1/2	6	9/16	0.616 +0.01/0	5.500 +0/-0.002	5.501 +0.003/0	6.000 +0.003/0	5.500 +0/-0.003	5.999 +0/-0.002	6.000 +0.003/0	24.00	
U25-5.50-56D	5-1/2	6	9/16	0.616 +0.01/0	5.500 +0/-0.002	5.501 +0.003/0	6.000 +0.003/0	5.500 +0/-0.003	5.999 +0/-0.002	6.000 +0.003/0	24.70	
U25-5.50-62D	5-1/2	6	5/8	0.682 +0.01/0	5.500 +0/-0.002	5.501 +0.003/0	6.000 +0.003/0	5.500 +0/-0.003	5.999 +0/-0.002	6.000 +0.003/0	24.88	
U25-5.50-SQB	5-1/2	6	1/4	0.275 +0.01/0	5.500 +0/-0.002	5.501 +0.003/0	6.000 +0.003/0	5.500 +0/-0.003	5.999 +0/-0.002	6.000 +0.003/0	18.70	
U25-5.62	5-5/8	6-1/8	1/4	0.275 +0.01/0	5.625 +0/-0.002	5.626 +0.003/0	6.125 +0.003/0	5.625 +0/-0.003	6.124 +0/-0.002	6.125 +0.003/0	19.49	
U25-5.75	5-3/4	6-1/4	1/4	0.275 +0.01/0	5.750 +0/-0.002	5.751 +0.003/0	6.250 +0.003/0	5.750 +0/-0.003	6.249 +0/-0.002	6.250 +0.003/0	19.88	
U25-5.75-37B	5-3/4	6-1/4	3/8	0.413 +0.01/0	5.750 +0/-0.002	5.751 +0.003/0	6.250 +0.003/0	5.750 +0/-0.003	6.249 +0/-0.002	6.250 +0.003/0	26.89	
U25-5.75-56B	5-3/4	6-1/4	9/16	0.616 +0.01/0	5.750 +0/-0.002	5.751 +0.003/0	6.250 +0.003/0	5.750 +0/-0.003	6.249 +0/-0.002	6.250 +0.003/0	26.89	
U25-6.00	6	6-1/2	1/4	0.275 +0.01/0	6.000 +0/-0.002	6.001 +0.003/0	6.500 +0.003/0	6.000 +0/-0.003	6.499 +0/-0.002	6.500 +0.003/0	20.26	
U25-6.00-37B	6	6-1/2	3/8	0.413 +0.01/0	6.000 +0/-0.002	6.001 +0.003/0	6.500 +0.003/0	6.000 +0/-0.003	6.499 +0/-0.002	6.500 +0.003/0	27.67	
U25-6.00-56B	6	6-1/2	9/16	0.616 +0.01/0	6.000 +0/-0.002	6.001 +0.003/0	6.500 +0.003/0	6.000 +0/-0.003	6.499 +0/-0.002	6.500 +0.003/0	25.09	



STYLE 800 POLYURETHANE U-SEALS

U-SEALS

Part Number	A NOM. I.D.	B NOM. O.D.	C NOM. HT.	D GROOVE WIDTH	E ROD DIAMETER	F THROAT DIAMETER	G HOUSING DIAMETER	H GROOVE DIAMETER	I PISTON DIAMETER	J BORE DIAMETER	List Price
1/4" C/S											
U25-6.00-56D	6	6-1/2	9/16	0.616 +0.01/0	6.000 +0/-0.002	6.001 +0.003/0	6.500 +0.003/0	6.000 +0/-0.003	6.499 +0/-0.002	6.500 +0.003/0	\$ 31.14
U25-6.25	6-1/4	6-3/4	1/4	0.275 +0.01/0	6.250 +0/-0.002	6.251 +0.003/0	6.750 +0.003/0	6.250 +0/-0.003	6.749 +0/-0.002	6.750 +0.003/0	20.30
U25-6.25-37B	6-1/4	6-3/4	3/8	0.413 +0.01/0	6.250 +0/-0.002	6.251 +0.003/0	6.750 +0.003/0	6.250 +0/-0.003	6.749 +0/-0.002	6.750 +0.003/0	30.57
U25-6.50	6-1/2	7	1/4	0.275 +0.01/0	6.500 +0/-0.002	6.501 +0.003/0	7.000 +0.003/0	6.500 +0/-0.003	6.999 +0/-0.002	7.000 +0.003/0	21.35
U25-6.50-37D	6-1/2	7	3/8	0.413 +0.01/0	6.500 +0/-0.002	6.501 +0.003/0	7.000 +0.003/0	6.500 +0/-0.003	6.999 +0/-0.002	7.000 +0.003/0	29.63
U25-6.50-56B	6-1/2	7	9/16	0.616 +0.01/0	6.500 +0/-0.002	6.501 +0.003/0	7.000 +0.003/0	6.500 +0/-0.003	6.999 +0/-0.002	7.000 +0.003/0	28.43
U25-6.50-SQB	6-1/2	7	1/4	0.275 +0.01/0	6.500 +0/-0.002	6.501 +0.003/0	7.000 +0.003/0	6.500 +0/-0.003	6.999 +0/-0.002	7.000 +0.003/0	21.35
U25-6.75	6-3/4	7-1/4	1/4	0.275 +0.01/0	6.750 +0/-0.002	6.751 +0.003/0	7.250 +0.003/0	6.750 +0/-0.003	7.249 +0/-0.002	7.250 +0.003/0	21.81
U25-6.75-37B	6-3/4	7-1/4	3/8	0.413 +0.01/0	6.750 +0/-0.002	6.751 +0.003/0	7.250 +0.003/0	6.750 +0/-0.003	7.249 +0/-0.002	7.250 +0.003/0	29.63
U25-6.75-56B	6-3/4	7-1/4	9/16	0.616 +0.01/0	6.750 +0/-0.002	6.751 +0.003/0	7.250 +0.003/0	6.750 +0/-0.003	7.249 +0/-0.002	7.250 +0.003/0	29.63
U25-6.75-56D	6-3/4	7-1/4	9/16	0.616 +0.01/0	6.750 +0/-0.002	6.751 +0.003/0	7.250 +0.003/0	6.750 +0/-0.003	7.249 +0/-0.002	7.250 +0.003/0	29.63
U25-7.00	7	7-1/2	1/4	0.275 +0.01/0	7.000 +0/-0.002	7.001 +0.003/0	7.500 +0.003/0	7.000 +0/-0.003	7.499 +0/-0.002	7.500 +0.003/0	22.67
U25-7.00-37B	7	7-1/2	3/8	0.413 +0.01/0	7.000 +0/-0.002	7.001 +0.003/0	7.500 +0.003/0	7.000 +0/-0.003	7.499 +0/-0.002	7.500 +0.003/0	27.17
U25-7.00-56B	7	7-1/2	9/16	0.616 +0.01/0	7.000 +0/-0.002	7.001 +0.003/0	7.500 +0.003/0	7.000 +0/-0.003	7.499 +0/-0.002	7.500 +0.003/0	30.79
U25-7.25	7-1/4	7-3/4	1/4	0.275 +0.01/0	7.250 +0/-0.002	7.251 +0.003/0	7.750 +0.003/0	7.250 +0/-0.003	7.749 +0/-0.002	7.750 +0.003/0	22.64
U25-7.50	7-1/2	8	1/4	0.275 +0.01/0	7.500 +0/-0.002	7.501 +0.003/0	8.000 +0.003/0	7.500 +0/-0.003	7.999 +0/-0.002	8.000 +0.003/0	24.19
U25-7.50-56B	7-1/2	8	9/16	0.616 +0.01/0	7.500 +0/-0.002	7.501 +0.003/0	8.000 +0.003/0	7.500 +0/-0.003	7.999 +0/-0.002	8.000 +0.003/0	34.88
U25-7.50-SQB	7-1/2	8	1/4	0.275 +0.01/0	7.500 +0/-0.002	7.501 +0.003/0	8.000 +0.003/0	7.500 +0/-0.003	7.999 +0/-0.002	8.000 +0.003/0	24.19
U25-7.75	7-3/4	8-1/4	1/4	0.275 +0.01/0	7.750 +0/-0.002	7.751 +0.003/0	8.250 +0.003/0	7.750 +0/-0.003	8.249 +0/-0.002	8.250 +0.003/0	23.98
U25-8.00	8	8-1/2	1/4	0.275 +0.01/0	8.000 +0/-0.002	8.001 +0.003/0	8.500 +0.003/0	8.000 +0/-0.003	8.499 +0/-0.002	8.500 +0.003/0	24.88
U25-8.00-56B	8	8-1/2	9/16	0.619 +0.01/0	8.000 +0/-0.002	8.001 +0.003/0	8.500 +0.003/0	8.000 +0/-0.003	8.499 +0/-0.002	8.500 +0.003/0	37.26
U25-8.12-56B	8-1/8	8-5/8	9/16	0.619 +0.01/0	8.125 +0/-0.002	8.126 +0.003/0	8.625 +0.003/0	8.125 +0/-0.003	8.624 +0/-0.002	8.625 +0.003/0	38.18
U25-8.25-56B	8-1/4	8-3/4	9/16	0.619 +0.01/0	8.250 +0/-0.002	8.251 +0.003/0	8.750 +0.003/0	8.250 +0/-0.003	8.749 +0/-0.002	8.750 +0.003/0	38.48
U25-8.50	8-1/2	9	1/4	0.275 +0.01/0	8.500 +0/-0.002	8.501 +0.003/0	9.000 +0.003/0	8.500 +0/-0.003	8.999 +0/-0.002	9.000 +0.003/0	29.28
U25-8.50-56B	8-1/2	9	9/16	0.619 +0.01/0	8.500 +0/-0.002	8.501 +0.003/0	9.000 +0.003/0	8.500 +0/-0.003	8.999 +0/-0.002	9.000 +0.003/0	39.90
U25-9.00	9	9-1/2	1/4	0.275 +0.01/0	9.000 +0/-0.002	9.001 +0.003/0	9.500 +0.003/0	9.000 +0/-0.003	9.499 +0/-0.002	9.500 +0.003/0	29.46
U25-9.50	9-1/2	10	1/4	0.275 +0.01/0	9.500 +0/-0.002	9.501 +0.003/0	10.000 +0.003/0	9.500 +0/-0.003	9.999 +0/-0.002	10.000 +0.003/0	30.05
U25-9.50-56B	9-1/2	10	9/16	0.619 +0.01/0	9.500 +0/-0.002	9.501 +0.003/0	10.000 +0.003/0	9.500 +0/-0.003	9.999 +0/-0.002	10.000 +0.003/0	41.29
U25-9.75	9-3/4	10-1/4	1/4	0.275 +0.01/0	9.750 +0/-0.002	9.751 +0.003/0	10.250 +0.003/0	9.750 +0/-0.003	10.249 +0/-0.002	10.250 +0.003/0	34.02
U25-10.00	10	10-1/2	1/4	0.275 +0.01/0	10.000 +0/-0.002	10.001 +0.003/0	10.500 +0.003/0	10.000 +0/-0.003	10.499 +0/-0.002	10.500 +0.003/0	36.82
U25-10.00-56B	10	10-1/2	9/16	0.618 +0.01/0	10.000 +0/-0.002	10.001 +0.003/0	10.500 +0.003/0	10.000 +0/-0.003	10.499 +0/-0.002	10.500 +0.003/0	59.16
U25-10.25	10-1/4	10-3/4	1/4	0.275 +0.01/0	10.250 +0/-0.002	10.251 +0.003/0	10.750 +0.003/0	10.250 +0/-0.003	10.749 +0/-0.002	10.750 +0.003/0	47.17
9/32" C/S											
U28-1.00	1	1-9/16	9/32	0.309 +0.01/0	1.000 +0/-0.002	1.001 +0.003/0	1.562 +0.004/0	1.000 +0/-0.003	1.561 +0/-0.002	1.563 +0.003/0	\$ 5.46
U28-2.20-50B	2.200	2.770	1/2	0.550 +0.01/0	2.200 +0/-0.002	2.201 +0.003/0	2.770 +0.004/0	2.200 +0/-0.003	2.769 +0/-0.002	2.770 +0.003/0	11.54
U28-3.18-50B	3-3/16	3-3/4	1/2	0.550 +0.01/0	3.188 +0/-0.002	3.189 +0.003/0	3.750 +0.004/0	3.188 +0/-0.003	3.749 +0/-0.002	3.750 +0.003/0	15.93
U28-3.20-50B	3.200	3.770	1/2	0.550 +0.01/0	3.200 +0/-0.002	3.201 +0.003/0	3.770 +0.004/0	3.200 +0/-0.003	3.769 +0/-0.002	3.770 +0.003/0	15.93
U28-5.43	5-7/16	6	9/32	0.309 +0.01/0	5.438 +0/-0.002	5.439 +0.003/0	6.000 +0.004/0	5.438 +0/-0.003	5.999 +0/-0.002	6.000 +0.003/0	22.87
U28-5.43-56B	5-7/16	6	9/16	0.619 +0.01/0	5.438 +0/-0.002	5.439 +0.003/0	6.000 +0.004/0	5.438 +0/-0.003	5.999 +0/-0.002	6.000 +0.003/0	27.52
5/16" C/S											
U31-0.25	1/4	7/8	5/16	0.344 +0.01/0	0.250 +0/-0.002	0.252 +0.003/0	0.875 +0.004/0	0.250 +0/-0.004	0.873 +0/-0.002	0.875 +0.003/0	\$ 5.08
U31-0.37	3/8	1	5/16	0.344 +0.01/0	0.375 +0/-0.002	0.377 +0.003/0	1.000 +0.004/0	0.375 +0/-0.004	0.998 +0/-0.002	1.000 +0.003/0	5.30

STYLE 800 POLYURETHANE U-SEALS



U-SEALS

Part Number	A NOM. I.D.	B NOM. O.D.	C NOM. HT.	D GROOVE WIDTH	E ROD DIAMETER	F THROAT DIAMETER	G HOUSING DIAMETER	H GROOVE DIAMETER	I PISTON DIAMETER	J BORE DIAMETER	List Price
5/16" C/S											
U31-0.43	7/16	1-1/16	5/16	0.344 +0.01/0	0.438 +0/-0.002	0.440 +0.003/0	1.062 +0.004/0	0.438 +0/-0.004	1.060 +0/-0.002	1.062 +0.003/0	\$ 5.38
U31-0.50	1/2	1-1/8	5/16	0.344 +0.01/0	0.500 +0/-0.002	0.502 +0.003/0	1.125 +0.004/0	0.500 +0/-0.004	1.123 +0/-0.002	1.125 +0.003/0	5.58
U31-0.62	5/8	1-1/4	5/16	0.344 +0.01/0	0.625 +0/-0.002	0.627 +0.003/0	1.250 +0.004/0	0.625 +0/-0.004	1.248 +0/-0.002	1.250 +0.003/0	5.55
U31-0.75	3/4	1-3/8	5/16	0.344 +0.01/0	0.750 +0/-0.002	0.752 +0.003/0	1.375 +0.004/0	0.750 +0/-0.004	1.373 +0/-0.002	1.375 +0.003/0	5.84
U31-0.75-50B	3/4	1-3/8	1/2	0.550 +0.01/0	0.750 +0/-0.002	0.752 +0.003/0	1.375 +0.004/0	0.750 +0/-0.004	1.373 +0/-0.002	1.375 +0.003/0	6.05
U31-0.87	7/8	1-1/2	5/16	0.344 +0.01/0	0.875 +0/-0.002	0.877 +0.003/0	1.500 +0.004/0	0.875 +0/-0.004	1.498 +0/-0.002	1.500 +0.003/0	5.93
U31-1.00	1	1-5/8	5/16	0.344 +0.01/0	1.000 +0/-0.002	1.002 +0.003/0	1.625 +0.004/0	1.000 +0/-0.004	1.623 +0/-0.002	1.625 +0.003/0	6.04
U31-1.00-37B	1	1-5/8	3/8	0.413 +0.01/0	1.000 +0/-0.002	1.002 +0.003/0	1.625 +0.004/0	1.000 +0/-0.004	1.623 +0/-0.002	1.625 +0.003/0	7.49
U31-1.00-50B	1	1-5/8	1/2	0.550 +0.01/0	1.000 +0/-0.002	1.002 +0.003/0	1.625 +0.004/0	1.000 +0/-0.004	1.623 +0/-0.002	1.625 +0.003/0	6.27
U31-1.12-37B	1-1/8	1-3/4	3/8	0.413 +0.01/0	1.125 +0/-0.002	1.127 +0.003/0	1.750 +0.004/0	1.125 +0/-0.004	1.748 +0/-0.002	1.750 +0.003/0	6.31
U31-1.12-SQB	1-1/8	1-3/4	5/16	0.344 +0.01/0	1.125 +0/-0.002	1.127 +0.003/0	1.750 +0.004/0	1.125 +0/-0.004	1.748 +0/-0.002	1.750 +0.003/0	6.10
U31-1.18	1-3/16	1-13/16	5/16	0.344 +0.01/0	1.188 +0/-0.002	1.190 +0.003/0	1.812 +0.004/0	1.188 +0/-0.004	1.810 +0/-0.002	1.812 +0.003/0	6.10
U31-1.25	1-1/4	1-7/8	5/16	0.344 +0.01/0	1.250 +0/-0.002	1.252 +0.003/0	1.875 +0.004/0	1.250 +0/-0.004	1.873 +0/-0.002	1.875 +0.003/0	6.96
U31-1.25-37B	1-1/4	1-7/8	3/8	0.413 +0.01/0	1.250 +0/-0.002	1.252 +0.003/0	1.875 +0.004/0	1.250 +0/-0.004	1.873 +0/-0.002	1.875 +0.003/0	6.73
U31-1.25-50B	1-1-4	1-7/8	1/2	0.550 +0.01/0	1.250 +0/-0.002	1.252 +0.003/0	1.875 +0.004/0	1.250 +0/-0.004	1.873 +0/-0.002	1.875 +0.003/0	6.73
U31-1.25-50D	1-1/4	1-7/8	1/2	0.550 +0.01/0	1.250 +0/-0.002	1.252 +0.003/0	1.875 +0.004/0	1.250 +0/-0.004	1.873 +0/-0.002	1.875 +0.003/0	17.42
U31-1.25-SQB	1-1/4	1-7/8	5/16	0.344 +0.01/0	1.250 +0/-0.002	1.252 +0.003/0	1.875 +0.004/0	1.250 +0/-0.004	1.873 +0/-0.002	1.875 +0.003/0	6.40
U31-1.37	1-3/8	2	5/16	0.344 +0.01/0	1.375 +0/-0.002	1.377 +0.003/0	2.000 +0.004/0	1.375 +0/-0.004	1.998 +0/-0.002	2.000 +0.003/0	6.73
U31-1.37-37B	1-3/8	2	3/8	0.413 +0.01/0	1.375 +0/-0.002	1.377 +0.003/0	2.000 +0.004/0	1.375 +0/-0.004	1.998 +0/-0.002	2.000 +0.003/0	7.21
U31-1.37-50B	1-3/8	2	1/2	0.550 +0.01/0	1.375 +0/-0.002	1.377 +0.003/0	2.000 +0.004/0	1.375 +0/-0.004	1.998 +0/-0.002	2.000 +0.003/0	7.01
U31-1.37-50D	1-3/8	2	1/2	0.550 +0.01/0	1.375 +0/-0.002	1.377 +0.003/0	2.000 +0.004/0	1.375 +0/-0.004	1.998 +0/-0.002	2.000 +0.003/0	11.76
U31-1.37-SQB	1-3/8	2	5/16	0.344 +0.01/0	1.375 +0/-0.002	1.377 +0.003/0	2.000 +0.004/0	1.375 +0/-0.004	1.998 +0/-0.002	2.000 +0.003/0	6.73
U31-1.50	1-1/2	2-1/8	5/16	0.344 +0.01/0	1.500 +0/-0.002	1.502 +0.003/0	2.125 +0.004/0	1.500 +0/-0.004	2.123 +0/-0.002	2.125 +0.003/0	6.87
U31-1.50-37B	1-1/2	2-1/8	3/8	0.413 +0.01/0	1.500 +0/-0.002	1.502 +0.003/0	2.125 +0.004/0	1.500 +0/-0.004	2.123 +0/-0.002	2.125 +0.003/0	8.08
U31-1.50-43B	1-1/2	2-1/8	7/16	0.481 +0.01/0	1.500 +0/-0.002	1.502 +0.003/0	2.125 +0.004/0	1.500 +0/-0.004	2.123 +0/-0.002	2.125 +0.003/0	9.36
U31-1.50-50B	1-1/2	2-1/8	1/2	0.550 +0.01/0	1.500 +0/-0.002	1.502 +0.003/0	2.125 +0.004/0	1.500 +0/-0.004	2.123 +0/-0.002	2.125 +0.003/0	8.08
U31-1.50-50D	1-1/2	2-1/8	1/2	0.550 +0.01/0	1.500 +0/-0.002	1.502 +0.003/0	2.125 +0.004/0	1.500 +0/-0.004	2.123 +0/-0.002	2.125 +0.003/0	8.08
U31-1.62	1-5/8	2-1/4	5/16	0.344 +0.01/0	1.625 +0/-0.002	1.627 +0.003/0	2.250 +0.004/0	1.625 +0/-0.004	2.248 +0/-0.002	2.250 +0.003/0	7.68
U31-1.62-37B	1-5/8	2-1/4	3/8	0.413 +0.01/0	1.625 +0/-0.002	1.627 +0.003/0	2.250 +0.004/0	1.625 +0/-0.004	2.248 +0/-0.002	2.250 +0.003/0	8.53
U31-1.62-50B	1-5/8	2-1/4	1/2	0.550 +0.01/0	1.625 +0/-0.002	1.627 +0.003/0	2.250 +0.004/0	1.625 +0/-0.004	2.248 +0/-0.002	2.250 +0.003/0	8.32
U31-1.68	1-11/16	2-5/16	5/16	0.344 +0.01/0	1.688 +0/-0.002	1.690 +0.003/0	2.312 +0.004/0	1.688 +0/-0.004	2.310 +0/-0.002	2.312 +0.003/0	7.97
U31-1.75	1-3/4	2-3/8	5/16	0.344 +0.01/0	1.750 +0/-0.002	1.752 +0.003/0	2.375 +0.004/0	1.750 +0/-0.004	2.373 +0/-0.002	2.375 +0.003/0	8.08
U31-1.75-37B	1-3/4	2-3/8	3/8	0.413 +0.01/0	1.750 +0/-0.002	1.752 +0.003/0	2.375 +0.004/0	1.750 +0/-0.004	2.373 +0/-0.002	2.375 +0.003/0	8.98
U31-1.75-50B	1-3/4	2-3/8	1/2	0.550 +0.01/0	1.750 +0/-0.002	1.752 +0.003/0	2.375 +0.004/0	1.750 +0/-0.004	2.373 +0/-0.002	2.375 +0.003/0	8.98
U31-1.75-50D	1-3/4	2-3/8	1/2	0.550 +0.01/0	1.750 +0/-0.002	1.752 +0.003/0	2.375 +0.004/0	1.750 +0/-0.004	2.373 +0/-0.002	2.375 +0.003/0	8.98
U31-1.87	1-7/8	2-1/2	5/16	0.344 +0.01/0	1.875 +0/-0.002	1.877 +0.003/0	2.500 +0.004/0	1.875 +0/-0.004	2.498 +0/-0.002	2.500 +0.003/0	8.34
U31-1.87-37B	1-7/8	2-1/2	3/8	0.413 +0.01/0	1.875 +0/-0.002	1.877 +0.003/0	2.500 +0.004/0	1.875 +0/-0.004	2.498 +0/-0.002	2.500 +0.003/0	9.37
U31-1.87-50B	1-7/8	2-1/2	1/2	0.550 +0.01/0	1.875 +0/-0.002	1.877 +0.003/0	2.500 +0.004/0	1.875 +0/-0.004	2.498 +0/-0.002	2.500 +0.003/0	9.37
U31-1.87-50D	1-7/8	2-1/2	1/2	0.550 +0.01/0	1.875 +0/-0.002	1.877 +0.003/0	2.500 +0.004/0	1.875 +0/-0.004	2.498 +0/-0.002	2.500 +0.003/0	9.37
U31-1.93	1-15/16	2-9/16	5/16	0.344 +0.01/0	1.938 +0/-0.002	1.940 +0.003/0	2.562 +0.004/0	1.938 +0/-0.004	2.560 +0/-0.002	2.562 +0.003/0	8.54
U31-2.00	2	2-5/8	5/16	0.344 +0.01/0	2.000 +0/-0.002	2.002 +0.003/0	2.625 +0.004/0	2.000 +0/-0.004	2.623 +0/-0.002	2.625 +0.003/0	9.12
U31-2.00-37B	2	2-5/8	3/8	0.413 +0.01/0	2.000 +0/-0.002	2.002 +0.003/0	2.625 +0.004/0	2.000 +0/-0.004	2.623 +0/-0.002	2.625 +0.003/0	11.43
U31-2.00-50B	2	2-5/8	1/2	0.550 +0.01/0	2.000 +0/-0.002	2.002 +0.003/0	2.625 +0.004/0	2.000 +0/-0.004	2.623 +0/-0.002	2.625 +0.003/0	9.59

STYLE 800 POLYURETHANE U-SEALS

U-SEALS

Part Number	A NOM. I.D.	B NOM. O.D.	C NOM. HT.	D GROOVE WIDTH	E ROD DIAMETER	F THROAT DIAMETER	G HOUSING DIAMETER	H GROOVE DIAMETER	I PISTON DIAMETER	J BORE DIAMETER	List Price	
5/16" C/S												
U31-2.12-50B	2-1/8	2-3/4	1/2	0.550 +0.01/0	2.125 +0/-0.002	2.127 +0.003/0	2.750 +0.004/0	2.125 +0/-0.004	2.748 +0/-0.002	2.750 +0.003/0	\$ 10.45	
U31-2.12-SQB	2-1/8	2-3/4	5/16	0.344 +0.01/0	2.125 +0/-0.002	2.127 +0.003/0	2.750 +0.004/0	2.125 +0/-0.004	2.748 +0/-0.002	2.750 +0.003/0	9.59	
U31-2.25	2-1/4	2-7/8	5/16	0.344 +0.01/0	2.250 +0/-0.002	2.252 +0.003/0	2.875 +0.004/0	2.250 +0/-0.004	2.873 +0/-0.002	2.875 +0.003/0	9.59	
U31-2.25-50B	2-1/4	2-7/8	1/2	0.550 +0.01/0	2.250 +0/-0.002	2.252 +0.003/0	2.875 +0.004/0	2.250 +0/-0.004	2.873 +0/-0.002	2.875 +0.003/0	10.76	
U31-2.37	2-3/8	3	5/16	0.344 +0.01/0	2.375 +0/-0.002	2.377 +0.003/0	3.000 +0.004/0	2.375 +0/-0.004	2.998 +0/-0.002	3.000 +0.003/0	10.09	
U31-2.37-50B	2-3/8	3	1/2	0.550 +0.01/0	2.375 +0/-0.002	2.377 +0.003/0	3.000 +0.004/0	2.375 +0/-0.004	2.998 +0/-0.002	3.000 +0.003/0	11.00	
U31-2.37-50D	2-3/8	3	1/2	0.550 +0.01/0	2.375 +0/-0.002	2.377 +0.003/0	3.000 +0.004/0	2.375 +0/-0.004	2.998 +0/-0.002	3.000 +0.003/0	12.96	
U31-2.50	2-1/2	3-1/8	5/16	0.344 +0.01/0	2.500 +0/-0.002	2.502 +0.003/0	3.125 +0.004/0	2.500 +0/-0.004	3.123 +0/-0.002	3.125 +0.003/0	10.51	
U31-2.50-50B	2-1/2	3-1/8	1/2	0.550 +0.01/0	2.500 +0/-0.002	2.502 +0.003/0	3.125 +0.004/0	2.500 +0/-0.004	3.123 +0/-0.002	3.125 +0.003/0	11.46	
U31-2.50-50D	2-1/2	3-1/8	1/2	0.550 +0.01/0	2.500 +0/-0.002	2.502 +0.003/0	3.125 +0.004/0	2.500 +0/-0.004	3.123 +0/-0.002	3.125 +0.003/0	13.03	
U31-2.56	2-9/16	3-3/16	5/16	0.344 +0.01/0	2.563 +0/-0.002	2.565 +0.003/0	3.188 +0.004/0	2.563 +0/-0.004	3.186 +0/-0.002	3.188 +0.003/0	10.76	
U31-2.62	2-5/8	3-1/4	5/16	0.344 +0.01/0	2.625 +0/-0.002	2.627 +0.003/0	3.250 +0.004/0	2.625 +0/-0.004	3.248 +0/-0.002	3.250 +0.003/0	11.43	
U31-2.62-50B	2-5/8	3-1/4	1/2	0.550 +0.01/0	2.625 +0/-0.002	2.627 +0.003/0	3.250 +0.004/0	2.625 +0/-0.004	3.248 +0/-0.002	3.250 +0.003/0	12.45	
U31-2.75	2-3/4	3-3/8	5/16	0.344 +0.01/0	2.750 +0/-0.002	2.752 +0.003/0	3.375 +0.004/0	2.750 +0/-0.004	3.373 +0/-0.002	3.375 +0.003/0	11.24	
U31-2.75-50B	2-3/4	3-3/8	1/2	0.344 +0.01/0	2.750 +0/-0.002	2.752 +0.003/0	3.375 +0.004/0	2.750 +0/-0.004	3.373 +0/-0.002	3.375 +0.003/0	12.45	
U31-2.87	2-7/8	3-1/2	5/16	0.344 +0.01/0	2.875 +0/-0.002	2.877 +0.003/0	3.500 +0.004/0	2.875 +0/-0.004	3.498 +0/-0.002	3.500 +0.003/0	12.32	
U31-2.87-50B	2-7/8	3-1/2	1/2	0.550 +0.01/0	2.875 +0/-0.002	2.877 +0.003/0	3.500 +0.004/0	2.875 +0/-0.004	3.498 +0/-0.002	3.500 +0.003/0	13.43	
U31-3.00	3	3-5/8	5/16	0.344 +0.01/0	3.000 +0/-0.002	3.002 +0.003/0	3.625 +0.004/0	3.000 +0/-0.004	3.623 +0/-0.002	3.625 +0.003/0	12.82	
U31-3.00-37B	3	3-5/8	3/8	0.413 +0.01/0	3.000 +0/-0.002	3.002 +0.003/0	3.625 +0.004/0	3.000 +0/-0.004	3.623 +0/-0.002	3.625 +0.003/0	14.10	
U31-3.00-50B	3	3-5/8	1/2	0.550 +0.01/0	3.000 +0/-0.002	3.002 +0.003/0	3.625 +0.004/0	3.000 +0/-0.004	3.623 +0/-0.002	3.625 +0.003/0	13.47	
U31-3.12-SQB	3-1/8	3-3/4	5/16	0.344 +0.01/0	3.125 +0/-0.002	3.127 +0.003/0	3.750 +0.004/0	3.125 +0/-0.004	3.748 +0/-0.002	3.750 +0.003/0	12.71	
U31-3.25	3-1/4	3-7/8	5/16	0.344 +0.01/0	3.250 +0/-0.002	3.252 +0.003/0	3.875 +0.004/0	3.250 +0/-0.004	3.873 +0/-0.002	3.875 +0.003/0	13.72	
U31-3.25-50B	3-1/4	3-7/8	1/2	0.550 +0.01/0	3.250 +0/-0.002	3.252 +0.003/0	3.875 +0.004/0	3.250 +0/-0.004	3.873 +0/-0.002	3.875 +0.003/0	15.12	
U31-3.37	3-3/8	4	5/16	0.344 +0.01/0	3.375 +0/-0.002	3.377 +0.003/0	4.000 +0.004/0	3.375 +0/-0.004	3.998 +0/-0.002	4.000 +0.003/0	13.73	
U31-3.37-50B	3-3/8	4	1/2	0.550 +0.01/0	3.375 +0/-0.002	3.377 +0.003/0	4.000 +0.004/0	3.375 +0/-0.004	3.998 +0/-0.002	4.000 +0.003/0	14.97	
U31-3.37-62B	3-3/8	4	5/8	0.682 +0.01/0	3.375 +0/-0.002	3.377 +0.003/0	4.000 +0.004/0	3.375 +0/-0.004	3.998 +0/-0.002	4.000 +0.003/0	15.21	
U31-3.50	3-1/2	4-1/8	5/16	0.344 +0.01/0	3.500 +0/-0.002	3.502 +0.003/0	4.125 +0.004/0	3.500 +0/-0.004	4.123 +0/-0.002	4.125 +0.003/0	14.84	
U31-3.50-50B	3-1/2	4-1/8	1/2	0.550 +0.01/0	3.500 +0/-0.002	3.502 +0.003/0	4.125 +0.004/0	3.500 +0/-0.004	4.123 +0/-0.002	4.125 +0.003/0	16.34	
U31-3.50-50D	3-1/2	4-1/8	1/2	0.550 +0.01/0	3.500 +0/-0.002	3.502 +0.003/0	4.125 +0.004/0	3.500 +0/-0.004	4.123 +0/-0.002	4.125 +0.003/0	16.34	
U31-3.62	3-5/8	4-1/4	5/16	0.344 +0.01/0	3.625 +0/-0.002	3.627 +0.003/0	4.250 +0.004/0	3.625 +0/-0.004	4.248 +0/-0.002	4.250 +0.003/0	15.14	
U31-3.62-50B	3-5/8	4-1/4	1/2	0.550 +0.01/0	3.625 +0/-0.002	3.627 +0.003/0	4.250 +0.004/0	3.625 +0/-0.004	4.248 +0/-0.002	4.250 +0.003/0	16.84	
U31-3.75	3-3/4	4-3/8	5/16	0.344 +0.01/0	3.750 +0/-0.002	3.752 +0.003/0	4.375 +0.004/0	3.750 +0/-0.004	4.373 +0/-0.002	4.375 +0.003/0	15.13	
U31-3.75-37B	3-3/4	4-3/8	3/8	0.413 +0.01/0	3.750 +0/-0.002	3.752 +0.003/0	4.375 +0.004/0	3.750 +0/-0.004	4.373 +0/-0.002	4.375 +0.003/0	17.38	
U31-3.75-50B	3-3/4	4-3/8	1/2	0.550 +0.01/0	3.750 +0/-0.002	3.752 +0.003/0	4.375 +0.004/0	3.750 +0/-0.004	4.373 +0/-0.002	4.375 +0.003/0	17.38	
U31-3.75-62B	3-3/4	4-3/8	5/8	0.682 +0.01/0	3.750 +0/-0.002	3.752 +0.003/0	4.375 +0.004/0	3.750 +0/-0.004	4.373 +0/-0.002	4.375 +0.003/0	18.08	
U31-3.87	3-7/8	4-1/2	5/16	0.344 +0.01/0	3.875 +0/-0.002	3.877 +0.003/0	4.500 +0.004/0	3.875 +0/-0.004	4.498 +0/-0.002	4.500 +0.003/0	15.64	
U31-3.87-50B	3-7/8	4-1/2	1/2	0.550 +0.01/0	3.875 +0/-0.002	3.877 +0.003/0	4.500 +0.004/0	3.875 +0/-0.004	4.498 +0/-0.002	4.500 +0.003/0	18.08	
U31-4.00	4	4-5/8	5/16	0.344 +0.01/0	4.000 +0/-0.002	4.002 +0.003/0	4.625 +0.004/0	4.000 +0/-0.004	4.623 +0/-0.002	4.625 +0.003/0	16.76	
U31-4.00-56B	4	4-5/8	9/16	0.616 +0.01/0	4.000 +0/-0.002	4.002 +0.003/0	4.625 +0.004/0	4.000 +0/-0.004	4.623 +0/-0.002	4.625 +0.003/0	17.69	
U31-4.12	4-1/8	4-3/4	5/16	0.344 +0.01/0	4.125 +0/-0.002	4.127 +0.003/0	4.750 +0.004/0	4.125 +0/-0.004	4.748 +0/-0.002	4.750 +0.003/0	16.64	
U31-4.12-56B	4-1/8	4-3/4	9/16	0.616 +0.01/0	4.125 +0/-0.002	4.127 +0.003/0	4.750 +0.004/0	4.125 +0/-0.004	4.748 +0/-0.002	4.750 +0.003/0	18.08	
U31-4.25	4-1/4	4-7/8	5/16	0.344 +0.01/0	4.250 +0/-0.002	4.252 +0.003/0	4.875 +0.004/0	4.250 +0/-0.004	4.873 +0/-0.002	4.875 +0.003/0	17.14	
U31-4.25-56B	4-1/4	4-7/8	9/16	0.616 +0.01/0	4.250 +0/-0.002	4.252 +0.003/0	4.875 +0.004/0	4.250 +0/-0.004	4.873 +0/-0.002	4.875 +0.003/0	18.59	

STYLE 800 POLYURETHANE U-SEALS



U-SEALS

Part Number	A NOM. I.D.	B NOM. O.D.	C NOM. HT.	D GROOVE WIDTH	E ROD DIAMETER	F THROAT DIAMETER	G HOUSING DIAMETER	H GROOVE DIAMETER	I PISTON DIAMETER	J BORE DIAMETER	List Price
5/16" C/S											
U31-4.37	4-3/8	5	5/16	0.344 +0.01/0	4.375 +0/-0.002	4.377 +0.003/0	5.000 +0.004/0	4.375 +0/-0.004	4.998 +0/-0.002	5.000 +0.003/0	\$ 17.63
U31-4.37-50B	4-3/8	5	1/2	0.550 +0.01/0	4.375 +0/-0.002	4.377 +0.003/0	5.000 +0.004/0	4.375 +0/-0.004	4.998 +0/-0.002	5.000 +0.003/0	20.02
U31-4.37-56B	4-3/8	5	9/16	0.616 +0.01/0	4.375 +0/-0.002	4.377 +0.003/0	5.000 +0.004/0	4.375 +0/-0.004	4.998 +0/-0.002	5.000 +0.003/0	20.02
U31-4.50	4-1/2	5-1/8	5/16	0.344 +0.01/0	4.500 +0/-0.002	4.502 +0.003/0	5.125 +0.004/0	4.500 +0/-0.004	5.123 +0/-0.002	5.125 +0.003/0	18.08
U31-4.50-50B	4-1/2	5-1/8	1/2	0.550 +0.01/0	4.500 +0/-0.002	4.502 +0.003/0	5.125 +0.004/0	4.500 +0/-0.004	5.123 +0/-0.002	5.125 +0.003/0	20.59
U31-4.50-62B	4-1/2	5-1/8	5/8	0.682 +0.01/0	4.500 +0/-0.002	4.502 +0.003/0	5.125 +0.004/0	4.500 +0/-0.004	5.123 +0/-0.002	5.125 +0.003/0	20.15
U31-4.62-62B	4-5/8	5-1/4	5/8	0.682 +0.01/0	4.625 +0/-0.002	4.627 +0.003/0	5.250 +0.004/0	4.625 +0/-0.004	5.248 +0/-0.002	5.250 +0.003/0	21.63
U31-4.75	4-3/4	5-3/8	5/16	0.344 +0.01/0	4.750 +0/-0.002	4.752 +0.003/0	5.375 +0.004/0	4.750 +0/-0.004	5.373 +0/-0.002	5.375 +0.003/0	19.01
U31-4.75-62B	4-3/4	5-3/8	5/8	0.682 +0.01/0	4.750 +0/-0.002	4.752 +0.003/0	5.375 +0.004/0	4.750 +0/-0.004	5.373 +0/-0.002	5.375 +0.003/0	22.44
U31-4.87	4-7/8	5-1/2	5/16	0.344 +0.01/0	4.875 +0/-0.002	4.877 +0.003/0	5.500 +0.004/0	4.875 +0/-0.004	5.498 +0/-0.002	5.500 +0.003/0	19.51
U31-5.00	5	5-5/8	5/16	0.344 +0.01/0	5.000 +0/-0.002	5.002 +0.003/0	5.625 +0.004/0	5.000 +0/-0.004	5.623 +0/-0.002	5.625 +0.003/0	19.85
U31-5.00-62B	5	5-5/8	5/8	0.682 +0.01/0	5.000 +0/-0.002	5.002 +0.003/0	5.625 +0.004/0	5.000 +0/-0.004	5.623 +0/-0.002	5.625 +0.003/0	24.17
U31-5.00-62D	5	5-5/8	5/8	0.682 +0.01/0	5.000 +0/-0.002	5.002 +0.003/0	5.625 +0.004/0	5.000 +0/-0.004	5.623 +0/-0.002	5.625 +0.003/0	25.56
U31-5.12	5-1/8	5-3/4	5/16	0.344 +0.01/0	5.125 +0/-0.002	5.127 +0.003/0	5.750 +0.004/0	5.125 +0/-0.004	5.748 +0/-0.002	5.750 +0.003/0	20.15
U31-5.25	5-1/4	5-7/8	5/16	0.344 +0.01/0	5.250 +0/-0.002	5.252 +0.003/0	5.875 +0.004/0	5.250 +0/-0.004	5.873 +0/-0.002	5.875 +0.003/0	20.72
U31-5.25-62B	5-1/4	5-7/8	5/8	0.688 +0.01/0	5.250 +0/-0.002	5.252 +0.003/0	5.875 +0.004/0	5.250 +0/-0.004	5.873 +0/-0.002	5.875 +0.003/0	25.84
U31-5.37	5-3/8	6	5/16	0.344 +0.01/0	5.375 +0/-0.002	5.377 +0.003/0	6.000 +0.004/0	5.375 +0/-0.004	5.998 +0/-0.002	6.000 +0.003/0	21.44
U31-5.37-62B	5-3/8	6	5/8	0.688 +0.01/0	5.375 +0/-0.002	5.377 +0.003/0	6.000 +0.004/0	5.375 +0/-0.004	5.998 +0/-0.002	6.000 +0.003/0	25.62
U31-5.37-SQB	5-3/8	6	5/16	0.344 +0.01/0	5.375 +0/-0.002	5.377 +0.003/0	6.000 +0.004/0	5.375 +0/-0.004	5.998 +0/-0.002	6.000 +0.003/0	21.99
U31-5.50-62B	5-1/2	6-1/8	5/8	0.688 +0.01/0	5.500 +0/-0.002	5.502 +0.003/0	6.125 +0.004/0	5.500 +0/-0.004	6.123 +0/-0.002	6.125 +0.003/0	26.82
U31-5.50-SQB	5-1/2	6-1/8	5/16	0.344 +0.01/0	5.500 +0/-0.002	5.502 +0.003/0	6.125 +0.004/0	5.500 +0/-0.004	6.123 +0/-0.002	6.125 +0.003/0	21.99
U31-5.62	5-5/8	6-1/4	5/16	0.344 +0.01/0	5.625 +0/-0.002	5.627 +0.003/0	6.250 +0.004/0	5.625 +0/-0.004	6.248 +0/-0.002	6.250 +0.003/0	27.28
U31-5.75-62B	5-3/4	6-3/8	5/8	0.688 +0.01/0	5.750 +0/-0.002	5.752 +0.003/0	6.375 +0.004/0	5.750 +0/-0.004	6.373 +0/-0.002	6.375 +0.003/0	29.30
U31-5.87	5-7/8	6-1/2	5/16	0.344 +0.01/0	5.875 +0/-0.002	5.877 +0.003/0	6.500 +0.004/0	5.875 +0/-0.004	6.498 +0/-0.002	6.500 +0.003/0	22.93
U31-6.00	6	6-5/8	5/16	0.344 +0.01/0	6.000 +0/-0.002	6.002 +0.003/0	6.625 +0.004/0	6.000 +0/-0.004	6.623 +0/-0.002	6.625 +0.003/0	23.33
U31-6.00-62B	6	6-5/8	5/8	0.688 +0.01/0	6.000 +0/-0.002	6.002 +0.003/0	6.625 +0.004/0	6.000 +0/-0.004	6.623 +0/-0.002	6.625 +0.003/0	29.38
U31-6.12	6-1/8	6-3/4	5/16	0.344 +0.01/0	6.125 +0/-0.002	6.127 +0.003/0	6.750 +0.004/0	6.125 +0/-0.004	6.748 +0/-0.002	6.750 +0.003/0	23.42
U31-6.25	6-1/4	6-7/8	5/16	0.344 +0.01/0	6.250 +0/-0.002	6.252 +0.003/0	6.875 +0.004/0	6.250 +0/-0.004	6.873 +0/-0.002	6.875 +0.003/0	24.20
U31-6.37	6-3/8	7	5/16	0.344 +0.01/0	6.375 +0/-0.002	6.377 +0.003/0	7.000 +0.004/0	6.375 +0/-0.004	6.998 +0/-0.002	7.000 +0.003/0	24.20
U31-6.37-62D	6-3/8	7	5/8	0.688 +0.01/0	6.375 +0/-0.002	6.377 +0.003/0	7.000 +0.004/0	6.375 +0/-0.004	6.998 +0/-0.002	7.000 +0.003/0	46.17
U31-6.37N	6-3/8	7	5/16	0.344 +0.01/0	6.375 +0/-0.002	6.377 +0.003/0	7.000 +0.004/0	6.375 +0/-0.004	6.998 +0/-0.002	7.000 +0.003/0	45.28
U31-6.50	6-1/2	7-1/8	5/16	0.344 +0.01/0	6.500 +0/-0.002	6.502 +0.003/0	7.125 +0.004/0	6.500 +0/-0.004	7.123 +0/-0.002	7.125 +0.003/0	24.66
U31-6.50-62B	6-1/2	7-1/8	5/8	0.688 +0.01/0	6.500 +0/-0.002	6.502 +0.003/0	7.125 +0.004/0	6.500 +0/-0.004	7.123 +0/-0.002	7.125 +0.003/0	32.49
U31-6.62	6-5/8	7-1/4	5/16	0.344 +0.01/0	6.625 +0/-0.002	6.627 +0.003/0	7.250 +0.004/0	6.625 +0/-0.004	7.248 +0/-0.002	7.250 +0.003/0	25.03
U31-7.00-62B	7	7-5/8	5/8	0.688 +0.01/0	7.000 +0/-0.002	7.002 +0.003/0	7.625 +0.004/0	7.000 +0/-0.004	7.623 +0/-0.002	7.625 +0.003/0	35.52
U31-7.37	7-3/8	8	5/16	0.344 +0.01/0	7.375 +0/-0.002	7.377 +0.003/0	8.000 +0.004/0	7.375 +0/-0.004	7.998 +0/-0.002	8.000 +0.003/0	27.79
U31-7.37N	7-3/8	8	5/16	0.344 +0.01/0	7.375 +0/-0.002	7.377 +0.003/0	8.000 +0.004/0	7.375 +0/-0.004	7.998 +0/-0.002	8.000 +0.003/0	51.84
U31-8.00-62B	8	8-5/8	5/8	0.688 +0.01/0	8.000 +0/-0.002	8.002 +0.003/0	8.625 +0.004/0	8.000 +0/-0.004	8.623 +0/-0.002	8.625 +0.003/0	42.85
11/32" C/S											
U34-9.31	9-5/16	10	11/32	0.377 +0.01/0	9.312 +0/-0.002	9.314 +0.003/0	10.000 +0.009/0	9.312 +0/-0.004	9.998 +0/-0.002	10.000 +0.003/0	\$ 53.00
3/8" C/S											
U37-0.50	1/2	1-1/4	3/8	0.413 +0.01/0	0.500 +0/-0.002	0.502 +0.004/0	1.250 +0.005/0	0.500 +0/-0.005	1.248 +0/-0.002	1.250 +0.004/0	\$ 6.87



STYLE 800 POLYURETHANE U-SEALS

U-SEALS

Part Number	A NOM. I.D.	B NOM. O.D.	C NOM. HT.	D GROOVE WIDTH	E ROD DIAMETER	F THROAT DIAMETER	G HOUSING DIAMETER	H GROOVE DIAMETER	I PISTON DIAMETER	J BORE DIAMETER	List Price
3/8" C/S											
U37-0.75	3/4	1-1/2	3/8	0.413 +0.01/0	0.875 +0/-0.002	0.877 +0.004/0	1.500 +0.005/0	0.875 +0/-0.005	1.498 +0/-0.002	1.500 +0.004/0	\$ 7.28
U37-0.81	13/16	1-9/16	3/8	0.413 +0.01/0	0.812 +0/-0.002	0.814 +0.004/0	1.562 +0.005/0	0.812 +0/-0.005	1.560 +0/-0.002	1.562 +0.004/0	7.68
U37-0.81-SQB	13/16	1-9/16	3/8	0.413 +0.01/0	0.812 +0/-0.002	0.814 +0.004/0	1.562 +0.005/0	0.812 +0/-0.005	1.560 +0/-0.002	1.562 +0.004/0	7.68
U37-0.87	7/8	1-5/8	3/8	0.413 +0.01/0	0.875 +0/-0.002	0.877 +0.004/0	1.625 +0.005/0	0.875 +0/-0.005	1.623 +0/-0.002	1.625 +0.004/0	7.75
U37-0.93	15/16	1-11/16	3/8	0.413 +0.01/0	0.937 +0/-0.002	0.939 +0.004/0	1.687 +0.005/0	0.937 +0/-0.005	1.685 +0/-0.002	1.687 +0.004/0	7.52
U37-1.00	1	1-3/4	3/8	0.413 +0.01/0	1.000 +0/-0.002	1.002 +0.004/0	1.750 +0.005/0	1.000 +0/-0.005	1.748 +0/-0.002	1.750 +0.004/0	7.99
U37-1.00-62D	1	1-3/4	5/8	0.688 +0.01/0	1.000 +0/-0.002	1.002 +0.004/0	1.750 +0.005/0	1.000 +0/-0.005	1.748 +0/-0.002	1.750 +0.004/0	7.99
U37-1.12	1-1/8	1-7/8	3/8	0.413 +0.01/0	1.125 +0/-0.002	1.127 +0.004/0	1.875 +0.005/0	1.125 +0/-0.005	1.873 +0/-0.002	1.875 +0.004/0	8.28
U37-1.25	1-1/4	2	3/8	0.413 +0.01/0	1.250 +0/-0.002	1.252 +0.004/0	2.000 +0.005/0	1.250 +0/-0.005	1.998 +0/-0.002	2.000 +0.004/0	8.68
U37-1.25-62D	1-1/4	2	5/8	0.688 +0.01/0	1.250 +0/-0.002	1.252 +0.004/0	2.000 +0.005/0	1.250 +0/-0.005	1.998 +0/-0.002	2.000 +0.004/0	9.69
U37-1.25-SQB	1-1/4	2	3/8	0.413 +0.01/0	1.250 +0/-0.002	1.252 +0.004/0	2.000 +0.005/0	1.250 +0/-0.005	1.998 +0/-0.002	2.000 +0.004/0	8.24
U37-1.37	1-3/8	2-1/8	3/8	0.413 +0.01/0	1.375 +0/-0.002	1.377 +0.004/0	2.125 +0.005/0	1.375 +0/-0.005	2.123 +0/-0.002	2.125 +0.004/0	9.22
U37-1.50	1-1/2	2-1/4	3/8	0.413 +0.01/0	1.500 +0/-0.002	1.502 +0.004/0	2.250 +0.005/0	1.500 +0/-0.005	2.248 +0/-0.002	2.250 +0.004/0	9.38
U37-1.50-50B	1-1/2	2-1/4	1/2	0.550 +0.01/0	1.500 +0/-0.002	1.502 +0.004/0	2.250 +0.005/0	1.500 +0/-0.005	2.248 +0/-0.002	2.250 +0.004/0	10.54
U37-1.50-62B	1-1/2	2-1/4	5/8	0.688 +0.01/0	1.500 +0/-0.002	1.502 +0.004/0	2.250 +0.005/0	1.500 +0/-0.005	2.248 +0/-0.002	2.250 +0.004/0	11.21
U37-1.56	1-9/16	2-5/16	3/8	0.413 +0.01/0	1.563 +0/-0.002	1.565 +0.004/0	2.312 +0.005/0	1.563 +0/-0.005	2.310 +0/-0.002	2.312 +0.004/0	10.17
U37-1.62-62B	1-5/8	2-3/8	5/8	0.688 +0.01/0	1.625 +0/-0.002	1.627 +0.004/0	2.375 +0.005/0	1.625 +0/-0.005	2.373 +0/-0.002	2.375 +0.004/0	10.91
U37-1.62-SQB	1-5/8	2-3/8	3/8	0.413 +0.01/0	1.625 +0/-0.002	1.627 +0.004/0	2.375 +0.005/0	1.625 +0/-0.005	2.373 +0/-0.002	2.375 +0.004/0	10.51
U37-1.75	1-3/4	2-1/2	3/8	0.413 +0.01/0	1.750 +0/-0.002	1.752 +0.004/0	2.500 +0.005/0	1.750 +0/-0.005	2.498 +0/-0.002	2.500 +0.004/0	10.70
U37-1.75-62B	1-3/4	2-1/2	5/8	0.688 +0.01/0	1.750 +0/-0.002	1.752 +0.004/0	2.500 +0.005/0	1.750 +0/-0.005	2.498 +0/-0.002	2.500 +0.004/0	12.18
U37-1.87	1-7/8	2-5/8	3/8	0.413 +0.01/0	1.875 +0/-0.002	1.877 +0.004/0	2.625 +0.005/0	1.875 +0/-0.005	2.623 +0/-0.002	2.625 +0.004/0	11.71
U37-2.00	2	2-3/4	3/8	0.413 +0.01/0	2.000 +0/-0.002	2.002 +0.004/0	2.750 +0.005/0	2.000 +0/-0.005	2.748 +0/-0.002	2.750 +0.004/0	12.30
U37-2.00-50B	2	2-3/4	1/2	0.550 +0.01/0	2.000 +0/-0.002	2.002 +0.004/0	2.750 +0.005/0	2.000 +0/-0.005	2.748 +0/-0.002	2.750 +0.004/0	13.56
U37-2.00-62B	2	2-3/4	5/8	0.688 +0.01/0	2.000 +0/-0.002	2.002 +0.004/0	2.750 +0.005/0	2.000 +0/-0.005	2.748 +0/-0.002	2.750 +0.004/0	13.56
U37-2.00-SQB	2	2-3/4	3/8	0.413 +0.01/0	2.000 +0/-0.002	2.002 +0.004/0	2.750 +0.005/0	2.000 +0/-0.005	2.748 +0/-0.002	2.750 +0.004/0	12.30
U37-2.12	2-1/8	2-7/8	3/8	0.413 +0.01/0	2.125 +0/-0.002	2.127 +0.004/0	2.875 +0.005/0	2.125 +0/-0.005	2.873 +0/-0.002	2.875 +0.004/0	12.54
U37-2.25	2-1/4	3	3/8	0.413 +0.01/0	2.250 +0/-0.002	2.252 +0.004/0	3.000 +0.005/0	2.250 +0/-0.005	2.998 +0/-0.002	3.000 +0.004/0	14.84
U37-2.25-50B	2-1/4	3	1/2	0.550 +0.01/0	2.250 +0/-0.002	2.252 +0.004/0	3.000 +0.005/0	2.250 +0/-0.005	2.998 +0/-0.002	3.000 +0.004/0	15.28
U37-2.25-62B	2-1/4	3	5/8	0.688 +0.01/0	2.250 +0/-0.002	2.252 +0.004/0	3.000 +0.005/0	2.250 +0/-0.005	2.998 +0/-0.002	3.000 +0.004/0	15.12
U37-2.25-62D	2-1/4	3	5/8	0.688 +0.01/0	2.250 +0/-0.002	2.252 +0.004/0	3.000 +0.005/0	2.250 +0/-0.005	2.998 +0/-0.002	3.000 +0.004/0	15.12
U37-2.25-SQB	2-1/4	3	3/8	0.413 +0.01/0	2.250 +0/-0.002	2.252 +0.004/0	3.000 +0.005/0	2.250 +0/-0.005	2.998 +0/-0.002	3.000 +0.004/0	13.79
U37-2.37	2-3/8	3-1/8	3/8	0.413 +0.01/0	2.375 +0/-0.002	2.377 +0.004/0	3.125 +0.005/0	2.375 +0/-0.005	3.123 +0/-0.002	3.125 +0.004/0	14.00
U37-2.50	2-1/2	3-1/4	3/8	0.413 +0.01/0	2.500 +0/-0.002	2.502 +0.004/0	3.250 +0.005/0	2.500 +0/-0.005	3.248 +0/-0.002	3.250 +0.004/0	14.96
U37-2.50-50B	2-1/2	3-1/4	1/2	0.550 +0.01/0	2.500 +0/-0.002	2.502 +0.004/0	3.250 +0.005/0	2.500 +0/-0.005	3.248 +0/-0.002	3.250 +0.004/0	15.91
U37-2.50-62B	2-1/2	3-1/4	5/8	0.688 +0.01/0	2.500 +0/-0.002	2.502 +0.004/0	3.250 +0.005/0	2.500 +0/-0.005	3.248 +0/-0.002	3.250 +0.004/0	15.91
U37-2.50-62D	2-1/2	3-1/4	5/8	0.688 +0.01/0	2.500 +0/-0.002	2.502 +0.004/0	3.250 +0.005/0	2.500 +0/-0.005	3.248 +0/-0.002	3.250 +0.004/0	15.91
U37-2.50-62DF	2-1/2	3-1/4	5/8	0.688 +0.01/0	2.500 +0/-0.002	2.502 +0.004/0	3.250 +0.005/0	2.500 +0/-0.005	3.248 +0/-0.002	3.250 +0.004/0	24.40
U37-2.50-SQB	2-1/2	3-1/4	3/8	0.413 +0.01/0	2.500 +0/-0.002	2.502 +0.004/0	3.250 +0.005/0	2.500 +0/-0.005	3.248 +0/-0.002	3.250 +0.004/0	14.96
U37-2.62	2-5/8	3-3/8	3/8	0.413 +0.01/0	2.625 +0/-0.002	2.627 +0.004/0	3.375 +0.005/0	2.625 +0/-0.005	3.373 +0/-0.002	3.375 +0.004/0	15.04
U37-2.62-62B	2-5/8	3-3/8	5/8	0.688 +0.01/0	2.625 +0/-0.002	2.627 +0.004/0	3.375 +0.005/0	2.625 +0/-0.005	3.373 +0/-0.002	3.375 +0.004/0	17.17
U37-2.75	2-3/4	3-1/2	3/8	0.413 +0.01/0	2.750 +0/-0.002	2.752 +0.004/0	3.500 +0.005/0	2.750 +0/-0.005	3.498 +0/-0.002	3.500 +0.004/0	15.73
U37-2.75-50B	2-3/4	3-1/2	1/2	0.550 +0.01/0	2.750 +0/-0.002	2.752 +0.004/0	3.500 +0.005/0	2.750 +0/-0.005	3.498 +0/-0.002	3.500 +0.004/0	18.17

STYLE 800 POLYURETHANE U-SEALS



U-SEALS

Part Number	A NOM. I.D.	B NOM. O.D.	C NOM. HT.	D GROOVE WIDTH	E ROD DIAMETER	F THROAT DIAMETER	G HOUSING DIAMETER	H GROOVE DIAMETER	I PISTON DIAMETER	J BORE DIAMETER	List Price
3/8" C/S											
U37-2.75-50D	2-3/4	3-1/2	1/2	0.550 +0.01/0	2.750 +0/-0.002	2.752 +0.004/0	3.500 +0.005/0	2.750 +0/-0.005	3.498 +0/-0.002	3.500 +0.004/0	\$ 18.17
U37-2.75-62B	2-3/4	3-1/2	5/8	0.688 +0.01/0	2.750 +0/-0.002	2.752 +0.004/0	3.500 +0.005/0	2.750 +0/-0.005	3.498 +0/-0.002	3.500 +0.004/0	18.17
U37-2.75-62D	2-3/4	3-1/2	5/8	0.688 +0.01/0	2.750 +0/-0.002	2.752 +0.004/0	3.500 +0.005/0	2.750 +0/-0.005	3.498 +0/-0.002	3.500 +0.004/0	22.00
U37-2.81	2-13/16	3-9/16	3/8	0.413 +0.01/0	2.812 +0/-0.002	2.814 +0.004/0	3.562 +0.005/0	2.812 +0/-0.005	3.560 +0/-0.002	3.562 +0.004/0	19.46
U37-2.93	2-15/16	3-11/16	3/8	0.413 +0.01/0	2.937 +0/-0.002	2.939 +0.004/0	3.687 +0.005/0	2.937 +0/-0.005	3.685 +0/-0.002	3.687 +0.004/0	19.46
U37-3.00	3	3-3/4	3/8	0.413 +0.01/0	3.000 +0/-0.002	3.002 +0.004/0	3.750 +0.005/0	3.000 +0/-0.005	3.748 +0/-0.002	3.750 +0.004/0	19.21
U37-3.00-50B	3	3-3/4	1/2	0.550 +0.01/0	3.000 +0/-0.002	3.002 +0.004/0	3.750 +0.005/0	3.000 +0/-0.005	3.748 +0/-0.002	3.750 +0.004/0	19.78
U37-3.00-62B	3	3-3/4	5/8	0.688 +0.01/0	3.000 +0/-0.002	3.002 +0.004/0	3.750 +0.005/0	3.000 +0/-0.005	3.748 +0/-0.002	3.750 +0.004/0	18.90
U37-3.00-SQB	3	3-3/4	3/8	0.413 +0.01/0	3.000 +0/-0.002	3.002 +0.004/0	3.750 +0.005/0	3.000 +0/-0.005	3.748 +0/-0.002	3.750 +0.004/0	19.46
U37-3.12-SQB	3-1/8	3-7/8	3/8	0.413 +0.01/0	3.125 +0/-0.002	3.127 +0.004/0	3.875 +0.005/0	3.125 +0/-0.005	3.873 +0/-0.002	3.875 +0.004/0	18.57
U37-3.25	3-1/4	4	3/8	0.413 +0.01/0	3.250 +0/-0.002	3.252 +0.004/0	4.000 +0.005/0	3.250 +0/-0.005	3.998 +0/-0.002	4.000 +0.004/0	19.73
U37-3.25-50B	3-1/4	4	1/2	0.550 +0.01/0	3.250 +0/-0.002	3.252 +0.004/0	4.000 +0.005/0	3.250 +0/-0.005	3.998 +0/-0.002	4.000 +0.004/0	20.08
U37-3.25-62B	3-1/4	4	5/8	0.688 +0.01/0	3.250 +0/-0.002	3.252 +0.004/0	4.000 +0.005/0	3.250 +0/-0.005	3.998 +0/-0.002	4.000 +0.004/0	20.08
U37-3.37	3-3/8	4-1/8	3/8	0.413 +0.01/0	3.375 +0/-0.002	3.377 +0.004/0	4.125 +0.005/0	3.375 +0/-0.005	4.123 +0/-0.002	4.125 +0.004/0	19.78
U37-3.37-62B	3-3/8	4-1/8	5/8	0.688 +0.01/0	3.375 +0/-0.002	3.377 +0.004/0	4.125 +0.005/0	3.375 +0/-0.005	4.123 +0/-0.002	4.125 +0.004/0	20.55
U37-3.50	3-1/2	4-1/4	3/8	0.413 +0.01/0	3.500 +0/-0.002	3.502 +0.004/0	4.250 +0.005/0	3.500 +0/-0.005	4.248 +0/-0.002	4.250 +0.004/0	20.10
U37-3.50-50D	3-1/2	4-1/4	1/2	0.550 +0.01/0	3.500 +0/-0.002	3.502 +0.004/0	4.250 +0.005/0	3.500 +0/-0.005	4.248 +0/-0.002	4.250 +0.004/0	22.47
U37-3.50-62B	3-1/2	4-1/4	5/8	0.688 +0.01/0	3.500 +0/-0.002	3.502 +0.004/0	4.250 +0.005/0	3.500 +0/-0.005	4.248 +0/-0.002	4.250 +0.004/0	21.49
U37-3.62	3-5/8	4-3/8	3/8	0.413 +0.01/0	3.625 +0/-0.002	3.627 +0.004/0	4.375 +0.005/0	3.625 +0/-0.005	4.373 +0/-0.002	4.375 +0.004/0	20.10
U37-3.62-50B	3-5/8	4-3/8	1/2	0.550 +0.01/0	3.625 +0/-0.002	3.627 +0.004/0	4.375 +0.005/0	3.625 +0/-0.005	4.373 +0/-0.002	4.375 +0.004/0	23.23
U37-3.62-62B	3-5/8	4-3/8	5/8	0.688 +0.01/0	3.625 +0/-0.002	3.627 +0.004/0	4.375 +0.005/0	3.625 +0/-0.005	4.373 +0/-0.002	4.375 +0.004/0	22.26
U37-3.75	3-3/4	4-1/2	3/8	0.413 +0.01/0	3.750 +0/-0.002	3.752 +0.004/0	4.500 +0.005/0	3.750 +0/-0.005	4.498 +0/-0.002	4.500 +0.004/0	20.55
U37-3.75-50D	3-3/4	4-1/2	1/2	0.550 +0.01/0	3.750 +0/-0.002	3.752 +0.004/0	4.500 +0.005/0	3.750 +0/-0.005	4.498 +0/-0.002	4.500 +0.004/0	22.85
U37-3.75-62B	3-3/4	4-1/2	5/8	0.688 +0.01/0	3.750 +0/-0.002	3.752 +0.004/0	4.500 +0.005/0	3.750 +0/-0.005	4.498 +0/-0.002	4.500 +0.004/0	22.85
U37-3.75-SQB	3-3/4	4-1/2	3/8	0.413 +0.01/0	3.750 +0/-0.002	3.752 +0.004/0	4.500 +0.005/0	3.750 +0/-0.005	4.498 +0/-0.002	4.500 +0.004/0	20.55
U37-3.87	3-7/8	4-5/8	3/8	0.413 +0.01/0	3.875 +0/-0.002	3.877 +0.004/0	4.625 +0.005/0	3.875 +0/-0.005	4.623 +0/-0.002	4.625 +0.004/0	21.25
U37-4.00	4	4-3/4	3/8	0.413 +0.01/0	4.000 +0/-0.002	4.002 +0.004/0	4.750 +0.005/0	4.000 +0/-0.005	4.748 +0/-0.002	4.750 +0.004/0	27.35
U37-4.00-50D	4	4-3/4	1/2	0.550 +0.01/0	4.000 +0/-0.002	4.002 +0.004/0	4.750 +0.005/0	4.000 +0/-0.005	4.748 +0/-0.002	4.750 +0.004/0	23.01
U37-4.00-62B	4	4-3/4	5/8	0.688 +0.01/0	4.000 +0/-0.002	4.002 +0.004/0	4.750 +0.005/0	4.000 +0/-0.005	4.748 +0/-0.002	4.750 +0.004/0	24.26
U37-4.00-62D	4	4-3/4	5/8	0.688 +0.01/0	4.000 +0/-0.002	4.002 +0.004/0	4.750 +0.005/0	4.000 +0/-0.005	4.748 +0/-0.002	4.750 +0.004/0	29.97
U37-4.12	4-1/8	4-7/8	3/8	0.413 +0.01/0	4.125 +0/-0.002	4.127 +0.004/0	4.875 +0.005/0	4.125 +0/-0.005	4.873 +0/-0.002	4.875 +0.004/0	22.52
U37-4.25	4-1/4	5	3/8	0.413 +0.01/0	4.250 +0/-0.002	4.252 +0.004/0	5.000 +0.005/0	4.250 +0/-0.005	4.998 +0/-0.002	5.000 +0.004/0	23.19
U37-4.25-50B	4-1/4	5	1/2	0.550 +0.01/0	4.250 +0/-0.002	4.252 +0.004/0	5.000 +0.005/0	4.250 +0/-0.005	4.998 +0/-0.002	5.000 +0.004/0	29.80
U37-4.25-50D	4-1/4	5	1/2	0.550 +0.01/0	4.250 +0/-0.002	4.252 +0.004/0	5.000 +0.005/0	4.250 +0/-0.005	4.998 +0/-0.002	5.000 +0.004/0	25.39
U37-4.25-62B	4-1/4	5	5/8	0.688 +0.01/0	4.250 +0/-0.002	4.252 +0.004/0	5.000 +0.005/0	4.250 +0/-0.005	4.998 +0/-0.002	5.000 +0.004/0	25.39
U37-4.25-62D	4-1/4	5	5/8	0.688 +0.01/0	4.250 +0/-0.002	4.252 +0.004/0	5.000 +0.005/0	4.250 +0/-0.005	4.998 +0/-0.002	5.000 +0.004/0	25.39
U37-4.25-SQB	4-1/4	5	3/8	0.413 +0.01/0	4.250 +0/-0.002	4.252 +0.004/0	5.000 +0.005/0	4.250 +0/-0.005	4.998 +0/-0.002	5.000 +0.004/0	23.19
U37-4.37	4-3/8	5-1/8	3/8	0.413 +0.01/0	4.375 +0/-0.002	4.377 +0.004/0	5.125 +0.005/0	4.375 +0/-0.005	5.123 +0/-0.002	5.125 +0.004/0	23.73
U37-4.37-62B	4-3/8	5-1/8	5/8	0.688 +0.01/0	4.375 +0/-0.002	4.377 +0.004/0	5.125 +0.005/0	4.375 +0/-0.005	5.123 +0/-0.002	5.125 +0.004/0	26.00
U37-4.50	4-1/2	5-1/4	3/8	0.413 +0.01/0	4.500 +0/-0.002	4.502 +0.004/0	5.250 +0.005/0	4.500 +0/-0.005	5.248 +0/-0.002	5.250 +0.004/0	27.35
U37-4.50-62B	4-1/2	5-1/4	5/8	0.688 +0.01/0	4.500 +0/-0.002	4.502 +0.004/0	5.250 +0.005/0	4.500 +0/-0.005	5.248 +0/-0.002	5.250 +0.004/0	26.67
U37-4.50-SQB	4-1/2	5-1/4	3/8	0.413 +0.01/0	4.500 +0/-0.002	4.502 +0.004/0	5.250 +0.005/0	4.500 +0/-0.005	5.248 +0/-0.002	5.250 +0.004/0	25.52



STYLE 800 POLYURETHANE U-SEALS

U-SEALS

Part Number	A NOM. I.D.	B NOM. O.D.	C NOM. HT.	D GROOVE WIDTH	E ROD DIAMETER	F THROAT DIAMETER	G HOUSING DIAMETER	H GROOVE DIAMETER	I PISTON DIAMETER	J BORE DIAMETER	List Price
3/8" C/S											
U37-4.62	4-5/8	5-3/8	3/8	0.413 +0.01/0	4.625 +0/-0.002	4.627 +0.004/0	5.375 +0.005/0	4.625 +0/-0.005	5.373 +0/-0.002	5.375 +0.004/0	\$ 25.73
U37-4.62-62B	4-5/8	5-3/8	5/8	0.688 +0.01/0	4.625 +0/-0.002	4.627 +0.004/0	5.375 +0.005/0	4.625 +0/-0.005	5.373 +0/-0.002	5.375 +0.004/0	27.11
U37-4.75-50B	4-3/4	5-1/2	1/2	0.550 +0.01/0	4.750 +0/-0.002	4.752 +0.004/0	5.500 +0.005/0	4.750 +0/-0.005	5.498 +0/-0.002	5.500 +0.004/0	27.87
U37-4.75-62B	4-3/4	5-1/2	5/8	0.688 +0.01/0	4.750 +0/-0.002	4.752 +0.004/0	5.500 +0.005/0	4.750 +0/-0.005	5.498 +0/-0.002	5.500 +0.004/0	27.87
U37-4.75-SQB	4-3/4	5-1/2	3/8	0.413 +0.01/0	4.750 +0/-0.002	4.752 +0.004/0	5.500 +0.005/0	4.750 +0/-0.005	5.498 +0/-0.002	5.500 +0.004/0	26.78
U37-4.87	4-7/8	5-5/8	3/8	0.413 +0.01/0	4.875 +0/-0.002	4.877 +0.004/0	5.625 +0.005/0	4.875 +0/-0.005	5.623 +0/-0.002	5.625 +0.004/0	27.25
U37-4.87-62B	4-7/8	5-5/8	5/8	0.688 +0.01/0	4.875 +0/-0.002	4.877 +0.004/0	5.625 +0.005/0	4.875 +0/-0.005	5.623 +0/-0.002	5.625 +0.004/0	28.05
U37-5.00-62B	5	5-3/4	5/8	0.688 +0.01/0	5.000 +0/-0.002	5.002 +0.004/0	5.750 +0.005/0	5.000 +0/-0.005	5.748 +0/-0.002	5.750 +0.004/0	29.20
U37-5.00-SQB	5	5-3/4	3/8	0.413 +0.01/0	5.000 +0/-0.002	5.002 +0.004/0	5.750 +0.005/0	5.000 +0/-0.005	5.748 +0/-0.002	5.750 +0.004/0	27.62
U37-5.25	5-1/4	6	3/8	0.413 +0.01/0	5.250 +0/-0.002	5.252 +0.004/0	6.000 +0.005/0	5.250 +0/-0.005	5.998 +0/-0.002	6.000 +0.004/0	28.46
U37-5.25-50B	5-1/4	6	1/2	0.550 +0.01/0	5.250 +0/-0.002	5.252 +0.004/0	6.000 +0.005/0	5.250 +0/-0.005	5.998 +0/-0.002	6.000 +0.004/0	30.43
U37-5.25-50D	5-1/4	6	1/2	0.550 +0.01/0	5.250 +0/-0.002	5.252 +0.004/0	6.000 +0.005/0	5.250 +0/-0.005	5.998 +0/-0.002	6.000 +0.004/0	30.43
U37-5.25-62B	5-1/4	6	5/8	0.688 +0.01/0	5.250 +0/-0.002	5.252 +0.004/0	6.000 +0.005/0	5.250 +0/-0.005	5.998 +0/-0.002	6.000 +0.004/0	30.43
U37-5.25-62D	5-1/4	6	5/8	0.688 +0.01/0	5.250 +0/-0.002	5.252 +0.004/0	6.000 +0.005/0	5.250 +0/-0.005	5.998 +0/-0.002	6.000 +0.004/0	30.43
U37-5.25-SQB	5-1/4	6	3/8	0.413 +0.01/0	5.250 +0/-0.002	5.252 +0.004/0	6.000 +0.005/0	5.250 +0/-0.005	5.998 +0/-0.002	6.000 +0.004/0	28.46
U37-5.37	5-3/8	6-1/8	3/8	0.413 +0.01/0	5.375 +0/-0.002	5.377 +0.004/0	6.125 +0.005/0	5.375 +0/-0.005	6.123 +0/-0.002	6.125 +0.004/0	28.80
U37-5.37-62B	5-3/8	6-1/8	5/8	0.688 +0.01/0	5.375 +0/-0.002	5.377 +0.004/0	6.125 +0.005/0	5.375 +0/-0.005	6.123 +0/-0.002	6.125 +0.004/0	29.29
U37-5.50-62B	5-1/2	6-1/4	5/8	0.688 +0.01/0	5.500 +0/-0.002	5.502 +0.004/0	6.250 +0.005/0	5.500 +0/-0.005	6.248 +0/-0.002	6.250 +0.004/0	31.61
U37-5.50-SQB	5-1/2	6-1/4	3/8	0.413 +0.01/0	5.500 +0/-0.002	5.502 +0.004/0	6.250 +0.005/0	5.500 +0/-0.005	6.248 +0/-0.002	6.250 +0.004/0	29.55
U37-5.75	5-3/4	6-1/2	3/8	0.413 +0.01/0	5.750 +0/-0.002	5.752 +0.004/0	6.500 +0.005/0	5.750 +0/-0.005	6.498 +0/-0.002	6.500 +0.004/0	30.72
U37-5.75-62B	5-3/4	6-1/2	5/8	0.688 +0.01/0	5.750 +0/-0.002	5.752 +0.004/0	6.500 +0.005/0	5.750 +0/-0.005	6.498 +0/-0.002	6.500 +0.004/0	34.22
U37-5.87	5-7/8	6-5/8	3/8	0.413 +0.01/0	5.875 +0/-0.002	5.877 +0.004/0	6.625 +0.005/0	5.875 +0/-0.005	6.623 +0/-0.002	6.625 +0.004/0	31.18
U37-5.87-62B	5-7/8	6-5/8	5/8	0.688 +0.01/0	5.875 +0/-0.002	5.877 +0.004/0	6.625 +0.005/0	5.875 +0/-0.005	6.623 +0/-0.002	6.625 +0.004/0	34.22
U37-6.00-62B	6	6-3/4	5/8	0.688 +0.01/0	6.000 +0/-0.002	6.002 +0.004/0	6.750 +0.005/0	6.000 +0/-0.005	6.748 +0/-0.002	6.750 +0.004/0	33.83
U37-6.00-SQB	6	6-3/4	3/8	0.413 +0.01/0	6.000 +0/-0.002	6.002 +0.004/0	6.750 +0.005/0	6.000 +0/-0.005	6.748 +0/-0.002	6.750 +0.004/0	33.34
U37-6.25	6-1/4	7	3/8	0.413 +0.01/0	6.250 +0/-0.002	6.252 +0.004/0	7.000 +0.005/0	6.250 +0/-0.005	6.998 +0/-0.002	7.000 +0.004/0	34.30
U37-6.25-50D	6-1/4	7	1/2	0.550 +0.01/0	6.250 +0/-0.002	6.252 +0.004/0	7.000 +0.005/0	6.250 +0/-0.005	6.998 +0/-0.002	7.000 +0.004/0	34.67
U37-6.25-62B	6-1/4	7	5/8	0.688 +0.01/0	6.250 +0/-0.002	6.252 +0.004/0	7.000 +0.005/0	6.250 +0/-0.005	6.998 +0/-0.002	7.000 +0.004/0	34.67
U37-6.37	6-3/8	7-1/8	3/8	0.413 +0.01/0	6.375 +0/-0.002	6.377 +0.004/0	7.125 +0.005/0	6.375 +0/-0.005	7.123 +0/-0.002	7.125 +0.004/0	34.30
U37-6.50	6-1/2	7-1/4	3/8	0.413 +0.01/0	6.500 +0/-0.002	6.502 +0.004/0	7.250 +0.005/0	6.500 +0/-0.005	7.248 +0/-0.002	7.250 +0.004/0	35.07
U37-6.50-50B	6-1/2	7-1/4	1/2	0.550 +0.01/0	6.500 +0/-0.002	6.502 +0.004/0	7.250 +0.005/0	6.500 +0/-0.005	7.248 +0/-0.002	7.250 +0.004/0	35.86
U37-6.50-62B	6-1/2	7-1/4	5/8	0.688 +0.01/0	6.500 +0/-0.002	6.502 +0.004/0	7.250 +0.005/0	6.500 +0/-0.005	7.248 +0/-0.002	7.250 +0.004/0	35.86
U37-6.75-62B	6-3/4	7-1/2	5/8	0.688 +0.01/0	6.750 +0/-0.002	6.752 +0.004/0	7.500 +0.005/0	6.750 +0/-0.005	7.498 +0/-0.002	7.500 +0.004/0	38.12
U37-6.87-62B	6-7/8	7-5/8	5/8	0.688 +0.01/0	6.875 +0/-0.002	6.877 +0.004/0	7.625 +0.005/0	6.875 +0/-0.005	7.623 +0/-0.002	7.625 +0.004/0	37.73
U37-7.00	7	7-3/4	3/8	0.413 +0.01/0	7.000 +0/-0.002	7.002 +0.004/0	7.750 +0.005/0	7.000 +0/-0.005	7.748 +0/-0.002	7.750 +0.004/0	36.63
U37-7.00-50B	7	7-3/4	1/2	0.550 +0.01/0	7.000 +0/-0.002	7.002 +0.004/0	7.750 +0.005/0	7.000 +0/-0.005	7.748 +0/-0.002	7.750 +0.004/0	38.36
U37-7.00-62B	7	7-3/4	5/8	0.688 +0.01/0	7.000 +0/-0.002	7.002 +0.004/0	7.750 +0.005/0	7.000 +0/-0.005	7.748 +0/-0.002	7.750 +0.004/0	38.36
U37-7.25	7-1/4	8	3/8	0.413 +0.01/0	7.250 +0/-0.002	7.252 +0.004/0	8.000 +0.005/0	7.250 +0/-0.005	7.998 +0/-0.002	8.000 +0.004/0	37.69
U37-7.25-50D	7-1/4	8	1/2	0.550 +0.01/0	7.250 +0/-0.002	7.252 +0.004/0	8.000 +0.005/0	7.250 +0/-0.005	7.998 +0/-0.002	8.000 +0.004/0	48.06
U37-7.25-62B	7-1/4	8	5/8	0.688 +0.01/0	7.250 +0/-0.002	7.252 +0.004/0	8.000 +0.005/0	7.250 +0/-0.005	7.998 +0/-0.002	8.000 +0.004/0	41.86
U37-7.25-SQB	7-1/4	8	3/8	0.413 +0.01/0	7.250 +0/-0.002	7.252 +0.004/0	8.000 +0.005/0	7.250 +0/-0.005	7.998 +0/-0.002	8.000 +0.004/0	37.69
U37-7.50-50B	7-1/2	8-1/4	1/2	0.550 +0.01/0	7.500 +0/-0.002	7.502 +0.004/0	8.250 +0.005/0	7.500 +0/-0.005	8.248 +0/-0.002	8.250 +0.004/0	54.95

STYLE 800 POLYURETHANE U-SEALS



U-SEALS

Part Number	A NOM. I.D.	B NOM. O.D.	C NOM. HT.	D GROOVE WIDTH	E ROD DIAMETER	F THROAT DIAMETER	G HOUSING DIAMETER	H GROOVE DIAMETER	I PISTON DIAMETER	J BORE DIAMETER	List Price	
3/8" C/S												
U37-7.75	7-3/4	8-1/2	3/8	0.413 +0.01/0	7.750 +0/-0.002	7.752 +0.004/0	8.500 +0.005/0	7.750 +0/-0.005	8.498 +0/-0.002	8.500 +0.004/0	\$ 50.95	
U37-7.75-62B	7-3/4	8-1/2	5/8	0.688 +0.01/0	7.750 +0/-0.002	7.752 +0.004/0	8.500 +0.005/0	7.750 +0/-0.005	8.498 +0/-0.002	8.500 +0.004/0	43.97	
U37-8.00-50D	8	8-3/4	1/2	0.550 +0.01/0	8.000 +0/-0.002	8.002 +0.004/0	8.750 +0.005/0	8.000 +0/-0.005	8.748 +0/-0.002	8.750 +0.004/0	45.24	
U37-8.00-62B	8	8-3/4	5/8	0.688 +0.01/0	8.000 +0/-0.002	8.002 +0.004/0	8.750 +0.005/0	8.000 +0/-0.005	8.748 +0/-0.002	8.750 +0.004/0	45.24	
U37-8.25	8-1/4	9	3/8	0.413 +0.01/0	8.250 +0/-0.002	8.252 +0.004/0	9.000 +0.005/0	8.250 +0/-0.005	8.998 +0/-0.002	9.000 +0.004/0	42.54	
U37-8.25-62B	8-1/4	9	5/8	0.688 +0.01/0	8.250 +0/-0.002	8.252 +0.004/0	9.000 +0.005/0	8.250 +0/-0.005	8.998 +0/-0.002	9.000 +0.004/0	46.59	
U37-8.75-62D	8-3/4	9-1/2	5/8	0.688 +0.01/0	8.750 +0/-0.002	8.752 +0.004/0	9.500 +0.005/0	8.750 +0/-0.005	9.498 +0/-0.002	9.500 +0.004/0	46.59	
U37-9.00	9	9-3/4	3/8	0.413 +0.01/0	9.000 +0/-0.002	9.002 +0.004/0	9.750 +0.005/0	9.000 +0/-0.005	9.748 +0/-0.002	9.750 +0.004/0	48.74	
U37-9.00-62B	9	9-3/4	5/8	0.688 +0.01/0	9.000 +0/-0.002	9.002 +0.004/0	9.750 +0.005/0	9.000 +0/-0.005	9.748 +0/-0.002	9.750 +0.004/0	54.56	
U37-9.25	9-1/4	10	3/8	0.413 +0.01/0	9.250 +0/-0.002	9.252 +0.004/0	10.000 +0.005/0	9.250 +0/-0.005	9.998 +0/-0.002	10.000 +0.004/0	44.59	
U37-9.25-50D	9-1/4	10	1/2	0.550 +0.01/0	9.250 +0/-0.002	9.252 +0.004/0	10.000 +0.005/0	9.250 +0/-0.005	9.998 +0/-0.002	10.000 +0.004/0	66.99	
U37-9.25-62B	9-1/4	10	5/8	0.688 +0.01/0	9.250 +0/-0.002	9.252 +0.004/0	10.000 +0.005/0	9.250 +0/-0.005	9.998 +0/-0.002	10.000 +0.004/0	65.75	
U37-9.50	9-1/2	10-1/4	3/8	0.413 +0.01/0	9.500 +0/-0.002	9.502 +0.004/0	10.250 +0.005/0	9.500 +0/-0.005	10.248 +0/-0.002	10.250 +0.004/0	55.76	
U37-9.50-62B	9-1/2	10-1/4	5/8	0.688 +0.01/0	9.500 +0/-0.002	9.502 +0.004/0	10.250 +0.005/0	9.500 +0/-0.005	10.248 +0/-0.002	10.250 +0.004/0	69.93	
U37-9.75-62B	9-3/4	10-1/2	5/8	0.688 +0.01/0	9.750 +0/-0.002	9.752 +0.004/0	10.500 +0.005/0	9.750 +0/-0.005	10.498 +0/-0.002	10.500 +0.004/0	67.54	
U37-10.00	10	10-3/4	3/8	0.413 +0.01/0	10.000 +0/-0.002	10.002 +0.004/0	10.750 +0.005/0	10.000 +0/-0.005	10.748 +0/-0.002	10.750 +0.004/0	130.66	
U37-10.00-62B	10	10-3/4	5/8	0.688 +0.01/0	10.000 +0/-0.002	10.002 +0.004/0	10.750 +0.005/0	10.000 +0/-0.005	10.748 +0/-0.002	10.750 +0.004/0	80.86	
U37-10.50-62B	10-1/2	11-1/4	5/8	0.688 +0.01/0	10.500 +0/-0.002	10.502 +0.004/0	11.250 +0.005/0	10.500 +0/-0.005	11.248 +0/-0.002	11.250 +0.004/0	101.04	
U37-11.00-62B	11	11-3/4	5/8	0.688 +0.01/0	11.000 +0/-0.002	11.002 +0.004/0	11.750 +0.005/0	11.000 +0/-0.005	11.748 +0/-0.002	11.750 +0.004/0	91.40	
U37-11.25	11-1/4	12	3/8	0.413 +0.01/0	11.250 +0/-0.002	11.252 +0.004/0	12.000 +0.005/0	11.250 +0/-0.005	11.998 +0/-0.002	12.000 +0.004/0	70.13	
U37-11.25-62B	11-1/4	12	5/8	0.688 +0.01/0	11.250 +0/-0.002	11.252 +0.004/0	12.000 +0.005/0	11.250 +0/-0.005	11.998 +0/-0.002	12.000 +0.004/0	94.27	
U37-11.25-62D	11-1/4	12	5/8	0.688 +0.01/0	11.250 +0/-0.002	11.252 +0.004/0	12.000 +0.005/0	11.250 +0/-0.005	11.998 +0/-0.002	12.000 +0.004/0	90.39	
U37-12.00-62B	12	12-3/4	5/8	0.688 +0.01/0	12.000 +0/-0.002	12.002 +0.004/0	12.750 +0.005/0	12.000 +0/-0.005	12.748 +0/-0.002	12.750 +0.004/0	107.74	
U37-12.25	12-1/4	13	3/8	0.413 +0.01/0	12.250 +0/-0.002	12.252 +0.004/0	13.000 +0.005/0	12.250 +0/-0.005	12.998 +0/-0.002	13.000 +0.004/0	82.79	
U37-13.25	13-1/4	14	3/8	0.413 +0.01/0	13.250 +0/-0.002	13.252 +0.004/0	14.000 +0.005/0	13.250 +0/-0.005	13.998 +0/-0.002	14.000 +0.004/0	73.94	
U37-14.25-62B	14-1/4	15	5/8	0.413 +0.01/0	14.250 +0/-0.002	14.252 +0.004/0	15.000 +0.005/0	14.250 +0/-0.005	14.998 +0/-0.002	15.000 +0.004/0	159.36	
U37-19.50	19-1/2	20-1/4	3/8	0.413 +0.01/0	19.500 +0/-0.002	19.500 +0.004/0	20.250 +0.005/0	19.500 +0/-0.005	19.498 +0/-0.002	19.500 +0.004/0	143.31	
7/16" C/S												
U43-1.50	1-1/2	2-3/8	7/16	0.481 +0.01/0	1.500 +0/-0.002	1.502 +0.004/0	2.375 +0.005/0	1.500 +0/-0.005	2.373 +0/-0.002	2.375 +0.004/0	\$ 10.14	
U43-2.50	2-1/2	3-3/8	7/16	0.481 +0.01/0	2.500 +0/-0.002	2.502 +0.004/0	3.375 +0.005/0	2.500 +0/-0.005	3.373 +0/-0.002	3.375 +0.004/0	17.89	
U43-3.12	3-1/8	4	7/16	0.481 +0.01/0	3.125 +0/-0.002	3.127 +0.004/0	4.000 +0.005/0	3.125 +0/-0.005	3.998 +0/-0.002	4.000 +0.004/0	18.61	
U43-3.87-75B	3-7/8	4-3/4	3/4	0.825 +0.01/0	3.875 +0/-0.002	3.877 +0.004/0	4.750 +0.005/0	3.875 +0/-0.005	4.748 +0/-0.002	4.750 +0.004/0	24.57	
U43-4.50	4-1/2	5-3/8	7/16	0.481 +0.01/0	4.500 +0/-0.002	4.502 +0.004/0	5.375 +0.005/0	4.500 +0/-0.005	5.373 +0/-0.002	5.375 +0.004/0	25.68	
U43-4.75	4-3/4	5-5/8	7/16	0.481 +0.01/0	4.750 +0/-0.002	4.752 +0.004/0	5.625 +0.005/0	4.750 +0/-0.005	5.623 +0/-0.002	5.625 +0.004/0	26.90	
U43-4.75-75B	4-3/4	5-5/8	3/4	0.825 +0.01/0	4.750 +0/-0.002	4.752 +0.004/0	5.625 +0.005/0	4.750 +0/-0.005	5.623 +0/-0.002	5.625 +0.004/0	39.22	
U43-5.12	5-1/8	6	7/16	0.481 +0.01/0	5.125 +0/-0.002	5.127 +0.004/0	6.000 +0.005/0	5.125 +0/-0.005	5.998 +0/-0.002	6.000 +0.004/0	30.39	
U43-5.25	5-1/4	6-1/8	7/16	0.481 +0.01/0	5.250 +0/-0.002	5.252 +0.004/0	6.125 +0.005/0	5.250 +0/-0.005	6.123 +0/-0.002	6.125 +0.004/0	43.29	
1/2" C/S												
U50-1.00	1	2	1/2	0.550 +0.01/0	1.000 +0/-0.003	1.002 +0.005/0	2.000 +0.007/0	1.000 +0/-0.007	1.998 +0/-0.003	2.000 +0.005/0	\$ 10.14	
U50-1.25	1-1/4	2-1/4	1/2	0.550 +0.01/0	1.250 +0/-0.003	1.252 +0.005/0	2.250 +0.007/0	1.250 +0/-0.007	2.248 +0/-0.003	2.250 +0.005/0	11.82	
U50-1.50	1-1/2	2-1/2	1/2	0.550 +0.01/0	1.500 +0/-0.003	1.502 +0.005/0	2.500 +0.007/0	1.500 +0/-0.007	2.498 +0/-0.003	2.500 +0.005/0	13.86	
U50-1.75	1-3/4	2-3/4	1/2	0.550 +0.01/0	1.750 +0/-0.003	1.752 +0.005/0	2.750 +0.007/0	1.750 +0/-0.007	2.748 +0/-0.003	2.750 +0.005/0	15.99	



STYLE 800 POLYURETHANE U-SEALS

U-SEALS

Part Number	A NOM. I.D.	B NOM. O.D.	C NOM. HT.	D GROOVE WIDTH	E ROD DIAMETER	F THROAT DIAMETER	G HOUSING DIAMETER	H GROOVE DIAMETER	I PISTON DIAMETER	J BORE DIAMETER	List Price
1/2" C/S											
U50-1.87-62B	1-7/8	2-7/8	5/8	0.688 +0.01/0	1.875 +0/-0.003	1.877 +0.005/0	2.875 +0.007/0	1.875 +0/-0.007	2.873 +0/-0.003	2.875 +0.005/0	\$ 17.86
U50-2.00	2	3	1/2	0.550 +0.01/0	2.000 +0/-0.003	2.002 +0.005/0	3.000 +0.007/0	2.000 +0/-0.007	2.998 +0/-0.003	3.000 +0.005/0	17.42
U50-2.00-75B	2	3	3/4	0.825 +0.01/0	2.000 +0/-0.003	2.002 +0.005/0	3.000 +0.007/0	2.000 +0/-0.007	2.998 +0/-0.003	3.000 +0.005/0	18.44
U50-2.00-SQB	2	3	1/2	0.550 +0.01/0	2.000 +0/-0.003	2.002 +0.005/0	3.000 +0.007/0	2.000 +0/-0.007	2.998 +0/-0.003	3.000 +0.005/0	17.42
U50-2.25	2-1/4	3-1/4	1/2	0.550 +0.01/0	2.250 +0/-0.003	2.252 +0.005/0	3.250 +0.007/0	2.250 +0/-0.007	3.248 +0/-0.003	3.250 +0.005/0	17.42
U50-2.37-SQB	2-3/8	3-3/8	1/2	0.550 +0.01/0	2.375 +0/-0.003	2.377 +0.005/0	3.375 +0.007/0	2.375 +0/-0.007	3.373 +0/-0.003	3.375 +0.005/0	18.97
U50-2.50	2-1/2	3-1/2	1/2	0.550 +0.01/0	2.500 +0/-0.003	2.502 +0.005/0	3.500 +0.007/0	2.500 +0/-0.007	3.498 +0/-0.003	3.500 +0.005/0	20.06
U50-2.50-75B	2-1/2	3-1/2	3/4	0.825 +0.01/0	2.500 +0/-0.003	2.502 +0.005/0	3.500 +0.007/0	2.500 +0/-0.007	3.498 +0/-0.003	3.500 +0.005/0	23.13
U50-2.75	2-3/4	3-3/4	1/2	0.550 +0.01/0	2.750 +0/-0.003	2.752 +0.005/0	3.750 +0.007/0	2.750 +0/-0.007	3.748 +0/-0.003	3.750 +0.005/0	21.71
U50-3.00	3	4	1/2	0.550 +0.01/0	3.000 +0/-0.003	3.002 +0.005/0	4.000 +0.007/0	3.000 +0/-0.007	3.998 +0/-0.003	4.000 +0.005/0	23.39
U50-3.00-62B	3	4	5/8	0.688 +0.01/0	3.000 +0/-0.003	3.002 +0.005/0	4.000 +0.007/0	3.000 +0/-0.007	3.998 +0/-0.003	4.000 +0.005/0	27.29
U50-3.00-75B	3	4	3/4	0.825 +0.01/0	3.000 +0/-0.003	3.002 +0.005/0	4.000 +0.007/0	3.000 +0/-0.007	3.998 +0/-0.003	4.000 +0.005/0	30.66
U50-3.00-75D	3	4	3/4	0.825 +0.01/0	3.000 +0/-0.003	3.002 +0.005/0	4.000 +0.007/0	3.000 +0/-0.007	3.998 +0/-0.003	4.000 +0.005/0	35.05
U50-3.00-SQB	3	4	1/2	0.550 +0.01/0	3.000 +0/-0.003	3.002 +0.005/0	4.000 +0.007/0	3.000 +0/-0.007	3.998 +0/-0.003	4.000 +0.005/0	23.39
U50-3.25	3-1/4	4-1/4	1/2	0.550 +0.01/0	3.250 +0/-0.003	3.252 +0.005/0	4.250 +0.007/0	3.250 +0/-0.007	4.248 +0/-0.003	4.250 +0.005/0	24.88
U50-3.50	3-1/2	4-1/2	1/2	0.550 +0.01/0	3.500 +0/-0.003	3.502 +0.005/0	4.500 +0.007/0	3.500 +0/-0.007	4.498 +0/-0.003	4.500 +0.005/0	26.50
U50-3.50-75B	3-1/2	4-1/2	3/4	0.825 +0.01/0	3.500 +0/-0.003	3.502 +0.005/0	4.500 +0.007/0	3.500 +0/-0.007	4.498 +0/-0.003	4.500 +0.005/0	29.49
U50-3.50-75D	3-1/2	4-1/2	3/4	0.825 +0.01/0	3.500 +0/-0.003	3.502 +0.005/0	4.500 +0.007/0	3.500 +0/-0.007	4.498 +0/-0.003	4.500 +0.005/0	29.49
U50-3.62	3-5/8	4-5/8	1/2	0.550 +0.01/0	3.625 +0/-0.003	3.627 +0.005/0	4.625 +0.007/0	3.625 +0/-0.007	4.623 +0/-0.003	4.625 +0.005/0	25.65
U50-3.75	3-3/4	4-3/4	1/2	0.550 +0.01/0	3.750 +0/-0.003	3.752 +0.005/0	4.750 +0.007/0	3.750 +0/-0.007	4.748 +0/-0.003	4.750 +0.005/0	27.59
U50-4.00	4	5	1/2	0.550 +0.01/0	4.000 +0/-0.003	4.002 +0.005/0	5.000 +0.007/0	4.000 +0/-0.007	4.998 +0/-0.003	5.000 +0.005/0	28.15
U50-4.00-67D	4	5	.67	0.737 +0.01/0	4.000 +0/-0.003	4.002 +0.005/0	5.000 +0.007/0	4.000 +0/-0.007	4.998 +0/-0.003	5.000 +0.005/0	35.39
U50-4.00-75B	4	5	3/4	0.825 +0.01/0	4.000 +0/-0.003	4.002 +0.005/0	5.000 +0.007/0	4.000 +0/-0.007	4.998 +0/-0.003	5.000 +0.005/0	30.57
U50-4.00-SQB	4	5	1/2	0.550 +0.01/0	4.000 +0/-0.003	4.002 +0.005/0	5.000 +0.007/0	4.000 +0/-0.007	4.998 +0/-0.003	5.000 +0.005/0	28.18
U50-4.25	4-1/4	5-1/4	1/2	0.550 +0.01/0	4.250 +0/-0.003	4.252 +0.005/0	5.250 +0.007/0	4.250 +0/-0.007	5.248 +0/-0.003	5.250 +0.005/0	31.03
U50-4.25-75B	4-1/4	5-1/4	3/4	0.825 +0.01/0	4.250 +0/-0.003	4.252 +0.005/0	5.250 +0.007/0	4.250 +0/-0.007	5.248 +0/-0.003	5.250 +0.005/0	33.55
U50-4.50	4-1/2	5-1/2	1/2	0.550 +0.01/0	4.500 +0/-0.003	4.502 +0.005/0	5.500 +0.007/0	4.500 +0/-0.007	5.498 +0/-0.003	5.500 +0.005/0	32.76
U50-4.50-75B	4-1/2	5-1/2	3/4	0.825 +0.01/0	4.500 +0/-0.003	4.502 +0.005/0	5.500 +0.007/0	4.500 +0/-0.007	5.498 +0/-0.003	5.500 +0.005/0	36.13
U50-4.50-75D	4-1/2	5-1/2	3/4	0.825 +0.01/0	4.500 +0/-0.003	4.502 +0.005/0	5.500 +0.007/0	4.500 +0/-0.007	5.498 +0/-0.003	5.500 +0.005/0	36.13
U50-4.75	4-3/4	5-3/4	1/2	0.550 +0.01/0	4.750 +0/-0.003	4.752 +0.005/0	5.750 +0.007/0	4.750 +0/-0.007	5.748 +0/-0.003	5.750 +0.005/0	34.26
U50-4.75-69B	4-3/4	5-3/4	11/16	0.756 +0.01/0	4.750 +0/-0.003	4.752 +0.005/0	5.750 +0.007/0	4.750 +0/-0.007	5.748 +0/-0.003	5.750 +0.005/0	37.91
U50-5.00	5	6	1/2	0.550 +0.01/0	5.000 +0/-0.003	5.002 +0.005/0	6.000 +0.007/0	5.000 +0/-0.007	5.998 +0/-0.003	6.000 +0.005/0	41.68
U50-5.00-75B	5	6	3/4	0.825 +0.01/0	5.000 +0/-0.003	5.002 +0.005/0	6.000 +0.007/0	5.000 +0/-0.007	5.998 +0/-0.003	6.000 +0.005/0	38.20
U50-5.00-75D	5	6	3/4	0.825 +0.01/0	5.000 +0/-0.003	5.002 +0.005/0	6.000 +0.007/0	5.000 +0/-0.007	5.998 +0/-0.003	6.000 +0.005/0	38.20
U50-5.00-SQB	5	6	1/2	0.550 +0.01/0	5.000 +0/-0.003	5.002 +0.005/0	6.000 +0.007/0	5.000 +0/-0.007	5.998 +0/-0.003	6.000 +0.005/0	34.36
U50-5.25	5-1/4	6-1/4	1/2	0.550 +0.01/0	5.250 +0/-0.003	5.252 +0.005/0	6.250 +0.007/0	5.250 +0/-0.007	6.248 +0/-0.003	6.250 +0.005/0	37.46
U50-5.25-75B	5-1/4	6-1/4	3/4	0.825 +0.01/0	5.250 +0/-0.003	5.252 +0.005/0	6.250 +0.007/0	5.250 +0/-0.007	6.248 +0/-0.003	6.250 +0.005/0	53.11
U50-5.37-75B	5-3/8	6-3/8	3/4	0.825 +0.01/0	5.375 +0/-0.003	5.377 +0.005/0	6.375 +0.007/0	5.375 +0/-0.007	6.373 +0/-0.003	6.375 +0.005/0	47.56
U50-5.50	5-1/2	6-1/2	1/2	0.550 +0.01/0	5.500 +0/-0.003	5.502 +0.005/0	6.500 +0.007/0	5.500 +0/-0.007	6.498 +0/-0.003	6.500 +0.005/0	38.04
U50-5.50-75B	5-1/2	6-1/2	3/4	0.825 +0.01/0	5.500 +0/-0.003	5.502 +0.005/0	6.500 +0.007/0	5.500 +0/-0.007	6.498 +0/-0.003	6.500 +0.005/0	40.32
U50-5.50-75D	5-1/2	6-1/2	3/4	0.825 +0.01/0	5.500 +0/-0.003	5.502 +0.005/0	6.500 +0.007/0	5.500 +0/-0.007	6.498 +0/-0.003	6.500 +0.005/0	40.32
U50-5.75	5-3/4	6-3/4	1/2	0.550 +0.01/0	5.750 +0/-0.003	5.752 +0.005/0	6.750 +0.007/0	5.750 +0/-0.007	6.748 +0/-0.003	6.750 +0.005/0	39.16
U50-5.75-75B	5-3/4	6-3/4	3/4	0.825 +0.01/0	5.750 +0/-0.003	5.752 +0.005/0	6.750 +0.007/0	5.750 +0/-0.007	6.748 +0/-0.003	6.750 +0.005/0	51.60

STYLE 800 POLYURETHANE U-SEALS



U-SEALS

Part Number	A NOM. I.D.	B NOM. O.D.	C NOM. HT.	D GROOVE WIDTH	E ROD DIAMETER	F THROAT DIAMETER	G HOUSING DIAMETER	H GROOVE DIAMETER	I PISTON DIAMETER	J BORE DIAMETER	List Price
1/2" C/S											
U50-6.00-75B	6	7	3/4	0.825 +0.01/0	6.000 +0/-0.003	6.002 +0.005/0	7.000 +0.007/0	6.000 +0/-0.007	6.998 +0/-0.003	7.000 +0.005/0	\$ 43.63
U50-6.00-75D	6	7	3/4	0.825 +0.01/0	6.000 +0/-0.003	6.002 +0.005/0	7.000 +0.007/0	6.000 +0/-0.007	6.998 +0/-0.003	7.000 +0.005/0	43.63
U50-6.00-SQB	6	7	1/2	0.550 +0.01/0	6.000 +0/-0.003	6.002 +0.005/0	7.000 +0.007/0	6.000 +0/-0.007	6.998 +0/-0.003	7.000 +0.005/0	41.00
U50-6.25	6-1/4	7-1/4	1/2	0.550 +0.01/0	6.250 +0/-0.003	6.252 +0.005/0	7.250 +0.007/0	6.250 +0/-0.007	7.248 +0/-0.003	7.250 +0.005/0	41.99
U50-6.50	6-1/2	7-1/2	1/2	0.550 +0.01/0	6.500 +0/-0.003	6.502 +0.005/0	7.500 +0.007/0	6.500 +0/-0.007	7.498 +0/-0.003	7.500 +0.005/0	42.28
U50-6.50-75B	6-1/2	7-1/2	3/4	0.825 +0.01/0	6.500 +0/-0.003	6.502 +0.005/0	7.500 +0.007/0	6.500 +0/-0.007	7.498 +0/-0.003	7.500 +0.005/0	42.58
U50-6.75-75B	6-3/4	7-3/4	3/4	0.825 +0.01/0	6.750 +0/-0.003	6.752 +0.005/0	7.750 +0.007/0	6.750 +0/-0.007	7.748 +0/-0.003	7.750 +0.005/0	42.58
U50-7.00	7	8	1/2	0.550 +0.01/0	7.000 +0/-0.003	7.002 +0.005/0	8.000 +0.007/0	7.000 +0/-0.007	7.998 +0/-0.003	8.000 +0.005/0	43.91
U50-7.00-75B	7	8	3/4	0.825 +0.01/0	7.000 +0/-0.003	7.002 +0.005/0	8.000 +0.007/0	7.000 +0/-0.007	7.998 +0/-0.003	8.000 +0.005/0	45.64
U50-7.25	7-1/4	8-1/4	1/2	0.550 +0.01/0	7.250 +0/-0.003	7.252 +0.005/0	8.250 +0.007/0	7.250 +0/-0.007	8.248 +0/-0.003	8.250 +0.005/0	48.91
U50-7.50	7-1/2	8-1/2	1/2	0.550 +0.01/0	7.500 +0/-0.003	7.502 +0.005/0	8.500 +0.007/0	7.500 +0/-0.007	8.498 +0/-0.003	8.500 +0.005/0	49.02
U50-7.50-75D	7-1/2	8-1/2	3/4	0.825 +0.01/0	7.500 +0/-0.003	7.502 +0.005/0	8.500 +0.007/0	7.500 +0/-0.007	8.498 +0/-0.003	8.500 +0.005/0	50.48
U50-8.00	8	9	1/2	0.550 +0.01/0	8.000 +0/-0.003	8.002 +0.005/0	9.000 +0.007/0	8.000 +0/-0.007	8.998 +0/-0.003	9.000 +0.005/0	50.48
U50-8.00-75B	8	9	3/4	0.825 +0.01/0	8.000 +0/-0.003	8.002 +0.005/0	9.000 +0.007/0	8.000 +0/-0.007	8.998 +0/-0.003	9.000 +0.005/0	51.90
U50-8.00-75D	8	9	3/4	0.825 +0.01/0	8.000 +0/-0.003	8.002 +0.005/0	9.000 +0.007/0	8.000 +0/-0.007	8.998 +0/-0.003	9.000 +0.005/0	51.90
U50-8.50	8-1/2	9-1/2	1/2	0.550 +0.01/0	8.500 +0/-0.003	8.502 +0.005/0	9.500 +0.007/0	8.500 +0/-0.007	9.498 +0/-0.003	9.500 +0.005/0	52.40
U50-8.50-75B	8-1/2	9-1/2	3/4	0.825 +0.01/0	8.500 +0/-0.003	8.502 +0.005/0	9.500 +0.007/0	8.500 +0/-0.007	9.498 +0/-0.003	9.500 +0.005/0	58.09
U50-8.75	8-3/4	9-3/4	1/2	0.550 +0.01/0	8.750 +0/-0.003	8.752 +0.005/0	9.750 +0.007/0	8.750 +0/-0.007	9.748 +0/-0.003	9.750 +0.005/0	74.63
U50-9.00	9	10	1/2	0.550 +0.01/0	9.000 +0/-0.003	9.002 +0.005/0	10.000 +0.007/0	9.000 +0/-0.007	9.998 +0/-0.003	10.000 +0.005/0	52.61
U50-9.00-75B	9	10	3/4	0.825 +0.01/0	9.000 +0/-0.003	9.002 +0.005/0	10.000 +0.007/0	9.000 +0/-0.007	9.998 +0/-0.003	10.000 +0.005/0	60.75
U50-9.00N	9	10	1/2	0.550 +0.01/0	9.000 +0/-0.003	9.002 +0.005/0	10.000 +0.007/0	9.000 +0/-0.007	9.998 +0/-0.003	10.000 +0.005/0	104.80
U50-9.25-75B	9-1/4	10-1/4	3/4	0.825 +0.01/0	9.250 +0/-0.003	9.252 +0.005/0	10.250 +0.007/0	9.250 +0/-0.007	10.248 +0/-0.003	10.250 +0.005/0	61.90
U50-9.50	9-1/2	10-1/2	1/2	0.550 +0.01/0	9.500 +0/-0.003	9.502 +0.005/0	10.500 +0.007/0	9.500 +0/-0.007	10.498 +0/-0.003	10.500 +0.005/0	61.90
U50-10.00	10	11	1/2	0.550 +0.01/0	10.000 +0/-0.003	10.002 +0.005/0	11.000 +0.007/0	10.000 +0/-0.007	10.998 +0/-0.003	11.000 +0.005/0	68.99
U50-10.00-75B	10	11	3/4	0.825 +0.01/0	10.000 +0/-0.003	10.002 +0.005/0	11.000 +0.007/0	10.000 +0/-0.007	10.998 +0/-0.003	11.000 +0.005/0	90.35
U50-10.00-75D	10	11	3/4	0.825 +0.01/0	10.000 +0/-0.003	10.002 +0.005/0	11.000 +0.007/0	10.000 +0/-0.007	10.998 +0/-0.003	11.000 +0.005/0	96.39
U50-10.50	10-1/2	11-1/2	1/2	0.550 +0.01/0	10.500 +0/-0.003	10.502 +0.005/0	11.500 +0.007/0	10.500 +0/-0.007	11.498 +0/-0.003	11.500 +0.005/0	66.71
U50-10.62-75B	10-5/8	11-5/8	3/4	0.825 +0.01/0	10.625 +0/-0.003	10.627 +0.005/0	11.625 +0.007/0	10.625 +0/-0.007	11.623 +0/-0.003	11.625 +0.005/0	99.28
U50-11.00	11	12	1/2	0.550 +0.01/0	11.000 +0/-0.003	11.002 +0.005/0	12.000 +0.007/0	11.000 +0/-0.007	11.998 +0/-0.003	12.000 +0.005/0	68.27
U50-11.00-75B	11	12	3/4	0.825 +0.01/0	11.000 +0/-0.003	11.002 +0.005/0	12.000 +0.007/0	11.000 +0/-0.007	11.998 +0/-0.003	12.000 +0.005/0	108.93
U50-11.50-75D	11-1/2	12-1/2	3/4	0.825 +0.01/0	11.500 +0/-0.003	11.502 +0.005/0	12.500 +0.007/0	11.500 +0/-0.007	12.498 +0/-0.003	12.500 +0.005/0	124.49
U50-12.00	12	13	1/2	0.550 +0.01/0	12.000 +0/-0.003	12.002 +0.005/0	13.000 +0.007/0	12.000 +0/-0.007	12.998 +0/-0.003	13.000 +0.005/0	92.32
U50-12.00-75B	12	13	3/4	0.825 +0.01/0	12.000 +0/-0.003	12.002 +0.005/0	13.000 +0.007/0	12.000 +0/-0.007	12.998 +0/-0.003	13.000 +0.005/0	122.40
U50-13.00	13	14	1/2	0.550 +0.01/0	13.000 +0/-0.003	13.002 +0.005/0	14.000 +0.007/0	13.000 +0/-0.007	13.998 +0/-0.003	14.000 +0.005/0	93.07
U50-13.00-75B	13	14	3/4	0.825 +0.01/0	13.000 +0/-0.003	13.002 +0.005/0	14.000 +0.007/0	13.000 +0/-0.007	13.998 +0/-0.003	14.000 +0.005/0	149.62
U50-13.50-75D	13-1/2	14-1/2	3/4	0.825 +0.01/0	13.500 +0/-0.003	13.502 +0.005/0	14.500 +0.007/0	13.500 +0/-0.007	14.498 +0/-0.003	14.500 +0.005/0	196.36
U50-14.00-75B	14	15	3/4	0.825 +0.01/0	14.000 +0/-0.003	14.002 +0.005/0	15.000 +0.007/0	14.000 +0/-0.007	14.998 +0/-0.003	15.000 +0.005/0	199.41
U50-15.00	15	16	1/2	0.550 +0.01/0	15.000 +0/-0.003	15.002 +0.005/0	16.000 +0.007/0	15.000 +0/-0.007	15.998 +0/-0.003	16.000 +0.005/0	117.66
U50-15.00-75B	15	16	3/4	0.825 +0.01/0	15.000 +0/-0.003	15.002 +0.005/0	16.000 +0.007/0	15.000 +0/-0.007	15.998 +0/-0.003	16.000 +0.005/0	200.67
U50-15.50-75D	15-1/2	16-1/2	3/4	0.825 +0.01/0	15.500 +0/-0.003	15.502 +0.005/0	16.500 +0.007/0	15.500 +0/-0.007	16.498 +0/-0.003	16.500 +0.005/0	211.29
U50-17.00-75B	17	18	3/4	0.825 +0.01/0	17.000 +0/-0.003	17.002 +0.005/0	18.000 +0.007/0	17.000 +0/-0.007	17.998 +0/-0.003	18.000 +0.005/0	220.45



STYLE 800 POLYURETHANE U-SEALS

U-SEALS

Part Number	A NOM. I.D.	B NOM. O.D.	C NOM. HT.	D GROOVE WIDTH	E ROD DIAMETER	F THROAT DIAMETER	G HOUSING DIAMETER	H GROOVE DIAMETER	I PISTON DIAMETER	J BORE DIAMETER	List Price
5/8" C/S											
U62-1.25	1-1/4	2-1/2	5/8	0.688 +0.01/0	1.250 +0/-0.003	1.252 +0.006/0	2.500 +0.009/0	1.250 +0/-0.009	2.498 +0/-0.003	2.500 +0.006/0	\$ 16.25
U62-1.75	1-3/4	3	5/8	0.688 +0.01/0	1.750 +0/-0.003	1.752 +0.006/0	3.000 +0.009/0	1.750 +0/-0.009	2.998 +0/-0.003	3.000 +0.006/0	23.01
U62-2.75	2-3/4	4	5/8	0.688 +0.01/0	2.750 +0/-0.003	2.752 +0.006/0	4.000 +0.009/0	2.750 +0/-0.009	3.998 +0/-0.003	4.000 +0.006/0	26.15
U62-3.00	3	4-1/4	5/8	0.688 +0.01/0	3.000 +0/-0.003	3.002 +0.006/0	4.250 +0.009/0	3.000 +0/-0.009	4.248 +0/-0.003	4.250 +0.006/0	26.85
U62-3.25	3-1/4	4-1/2	5/8	0.688 +0.01/0	3.250 +0/-0.003	3.252 +0.006/0	4.500 +0.009/0	3.250 +0/-0.009	4.498 +0/-0.003	4.500 +0.006/0	30.34
U62-3.50	3-1/2	4-3/4	5/8	0.688 +0.01/0	3.500 +0/-0.003	3.502 +0.006/0	4.750 +0.009/0	3.500 +0/-0.009	4.748 +0/-0.003	4.750 +0.006/0	32.69
U62-3.75	3-3/4	5	5/8	0.688 +0.01/0	3.750 +0/-0.003	3.752 +0.006/0	5.000 +0.009/0	3.750 +0/-0.009	4.998 +0/-0.003	5.000 +0.006/0	33.23
U62-4.00	4	5-1/4	5/8	0.688 +0.01/0	4.000 +0/-0.003	4.002 +0.006/0	5.250 +0.009/0	4.000 +0/-0.009	5.248 +0/-0.003	5.250 +0.006/0	36.63
U62-4.25	4-1/4	5-1/2	5/8	0.688 +0.01/0	4.250 +0/-0.003	4.252 +0.006/0	5.500 +0.009/0	4.250 +0/-0.009	5.498 +0/-0.003	5.500 +0.006/0	38.25
U62-4.75	4-3/4	6	5/8	0.688 +0.01/0	4.750 +0/-0.003	4.752 +0.006/0	6.000 +0.009/0	4.750 +0/-0.009	5.998 +0/-0.003	6.000 +0.006/0	42.70
U62-4.75-75D	4-3/4	6	3/4	0.825 +0.01/0	4.750 +0/-0.003	4.752 +0.006/0	6.000 +0.009/0	4.750 +0/-0.009	5.998 +0/-0.003	6.000 +0.006/0	47.01
U62-5.00	5	6-1/4	5/8	0.688 +0.01/0	5.000 +0/-0.003	5.002 +0.006/0	6.250 +0.009/0	5.000 +0/-0.009	6.248 +0/-0.003	6.250 +0.006/0	47.23
U62-5.25	5-1/4	6-1/2	5/8	0.688 +0.01/0	5.250 +0/-0.003	5.252 +0.006/0	6.500 +0.009/0	5.250 +0/-0.009	6.498 +0/-0.003	6.500 +0.006/0	47.52
U62-5.50	5-1/2	6-3/4	5/8	0.688 +0.01/0	5.500 +0/-0.003	5.502 +0.006/0	6.750 +0.009/0	5.500 +0/-0.009	6.748 +0/-0.003	6.750 +0.006/0	54.80
U62-5.75	5-3/4	7	5/8	0.688 +0.01/0	5.750 +0/-0.003	5.752 +0.006/0	7.000 +0.009/0	5.750 +0/-0.009	6.998 +0/-0.003	7.000 +0.006/0	51.40
U62-6.00	6	7-1/4	5/8	0.688 +0.01/0	6.000 +0/-0.003	6.002 +0.006/0	7.250 +0.009/0	6.000 +0/-0.009	7.248 +0/-0.003	7.250 +0.006/0	56.09
U62-6.25	6-1/4	7-1/2	5/8	0.688 +0.01/0	6.250 +0/-0.003	6.252 +0.006/0	7.500 +0.009/0	6.250 +0/-0.009	7.498 +0/-0.003	7.500 +0.006/0	57.17
U62-7.00-100B	7	8-1/4	1	1.100 +0.01/0	7.000 +0/-0.003	7.002 +0.006/0	8.250 +0.009/0	7.000 +0/-0.009	8.248 +0/-0.003	8.250 +0.006/0	66.97
U62-7.25	7-1/4	8-1/2	5/8	0.688 +0.01/0	7.250 +0/-0.003	7.252 +0.006/0	8.500 +0.009/0	7.250 +0/-0.009	8.498 +0/-0.003	8.500 +0.006/0	63.83
U62-8.00	8	9-1/4	5/8	0.688 +0.01/0	8.000 +0/-0.003	8.002 +0.006/0	9.250 +0.009/0	8.000 +0/-0.009	9.248 +0/-0.003	9.250 +0.006/0	68.74
U62-8.50	8-1/2	9-3/4	5/8	0.688 +0.01/0	8.500 +0/-0.003	8.502 +0.006/0	9.750 +0.009/0	8.500 +0/-0.009	9.748 +0/-0.003	9.750 +0.006/0	78.14
U62-8.75	8-3/4	10	5/8	0.688 +0.01/0	8.750 +0/-0.003	8.752 +0.006/0	10.000 +0.009/0	8.750 +0/-0.009	9.998 +0/-0.003	10.000 +0.006/0	82.88
U62-9.00	9	10-1/4	5/8	0.688 +0.01/0	9.000 +0/-0.003	9.002 +0.006/0	10.250 +0.009/0	9.000 +0/-0.009	10.248 +0/-0.003	10.250 +0.006/0	87.81
U62-9.50	9-1/2	10-3/4	5/8	0.688 +0.01/0	9.500 +0/-0.003	9.502 +0.006/0	10.750 +0.009/0	9.500 +0/-0.009	10.748 +0/-0.003	10.750 +0.006/0	107.73
U62-9.75	9-3/4	11	5/8	0.688 +0.01/0	9.750 +0/-0.003	9.752 +0.006/0	11.000 +0.009/0	9.750 +0/-0.009	10.998 +0/-0.003	11.000 +0.006/0	92.72
U62-10.00-100B	10	11-1/4	1	1.100 +0.01/0	10.000 +0/-0.003	10.002 +0.006/0	11.250 +0.009/0	10.000 +0/-0.009	11.248 +0/-0.003	11.250 +0.006/0	122.86
U62-12.00	12	13-1/4	5/8	0.682 +0.01/0	12.000 +0/-0.003	12.002 +0.006/0	13.250 +0.009/0	12.000 +0/-0.009	13.248 +0/-0.003	13.250 +0.006/0	121.37
U62-14.00-100D	14	15-1/4	1	1.100 +0.01/0	14.000 +0/-0.003	14.002 +0.006/0	15.250 +0.009/0	14.000 +0/-0.009	15.248 +0/-0.003	15.250 +0.006/0	233.21
U62-14.75-100B	14-3/4	16	1	1.100 +0.01/0	14.750 +0/-0.003	14.752 +0.006/0	16.000 +0.009/0	14.750 +0/-0.009	15.998 +0/-0.003	16.000 +0.006/0	251.33
3/4" C/S											
U75-3.50-SQB	3-1/2	5	3/4	0.825 +0.01/0	3.500 +0/-0.004	3.502 +0.007/0	5.000 +0.011/0	3.500 +0/-0.011	4.998 +0/-0.004	5.000 +0.007/0	\$ 44.72
U75-4.50	4-1/2	6	3/4	0.825 +0.01/0	4.500 +0/-0.004	4.502 +0.007/0	6.000 +0.011/0	4.500 +0/-0.011	5.998 +0/-0.004	6.000 +0.007/0	48.93
U75-6.00	6	7-1/2	3/4	0.825 +0.01/0	6.000 +0/-0.004	6.002 +0.007/0	7.500 +0.011/0	6.000 +0/-0.011	7.498 +0/-0.004	7.500 +0.007/0	57.47
U75-6.50	6-1/2	8	3/4	0.825 +0.01/0	6.500 +0/-0.004	6.502 +0.007/0	8.000 +0.011/0	6.500 +0/-0.011	7.998 +0/-0.004	8.000 +0.007/0	63.20
U75-7.00	7	8-1/2	3/4	0.825 +0.01/0	7.000 +0/-0.004	7.002 +0.007/0	8.500 +0.011/0	7.000 +0/-0.011	8.498 +0/-0.004	8.500 +0.007/0	68.23
U75-8.00	8	9-1/2	3/4	0.825 +0.01/0	8.000 +0/-0.004	8.002 +0.007/0	9.500 +0.011/0	8.000 +0/-0.011	9.498 +0/-0.004	9.500 +0.007/0	78.69
U75-9.50	9-1/2	11	3/4	0.825 +0.01/0	9.500 +0/-0.004	9.502 +0.007/0	11.000 +0.011/0	9.500 +0/-0.011	10.998 +0/-0.004	11.000 +0.007/0	103.64
U75-10.00	10	11-1/2	3/4	0.825 +0.01/0	10.000 +0/-0.003	10.002 +0.006/0	11.500 +0.009/0	10.000 +0/-0.009	11.498 +0/-0.003	11.500 +0.006/0	126.21
U75-10.50	10-1/2	12	3/4	0.825 +0.01/0	10.500 +0/-0.003	10.502 +0.006/0	12.000 +0.009/0	10.500 +0/-0.009	11.998 +0/-0.003	12.000 +0.006/0	109.97
U75-11.00	11	12-1/2	3/4	0.825 +0.01/0	11.000 +0/-0.003	11.002 +0.006/0	12.500 +0.009/0	11.000 +0/-0.009	12.498 +0/-0.003	12.500 +0.006/0	120.41
U75-12.50	12-1/2	14	3/4	0.825 +0.01/0	12.500 +0/-0.003	12.502 +0.006/0	14.000 +0.009/0	12.500 +0/-0.009	13.998 +0/-0.003	14.000 +0.006/0	151.35
U75-14.00	14	15-1/2	3/4	0.825 +0.01/0	14.000 +0/-0.003	14.002 +0.006/0	15.500 +0.009/0	14.000 +0/-0.009	15.498 +0/-0.003	15.500 +0.006/0	182.30

STYLE 800 POLYURETHANE U-SEALS

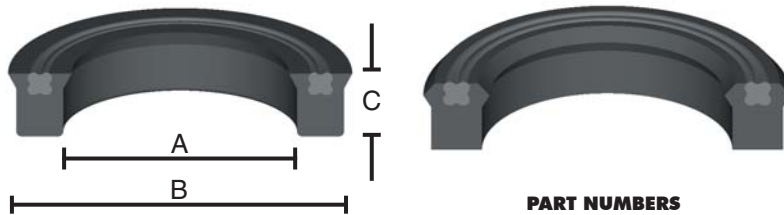


Part Number	A NOM. I.D.	B NOM. O.D.	C NOM. HT.	D GROOVE WIDTH	E ROD DIAMETER	F THROAT DIAMETER	G HOUSING DIAMETER	H GROOVE DIAMETER	I PISTON DIAMETER	J BORE DIAMETER	List Price
3/4" C/S											
U75-14.50	14-1/2	16	3/4	0.825 +0.01/0	16.000 +0/-0.003	16.002 +0.006/0	14.500 +0.009/0	16.000 +0/-0.009	14.498 +0/-0.003	14.500 +0.006/0	\$ 200.87
1" C/S											
U100-10.00	10	12	1	1.100 +0.01/0	10.000 +0/-0.004	10.002 +0.007/0	12.000 +0.011/0	10.000 +0/-0.011	11.998 +0/-0.004	12.000 +0.007/0	\$ 183.78
U100-12.00-150D	12	14	1-1/2	1.650 +0.01/0	12.000 +0/-0.004	12.002 +0.007/0	14.000 +0.011/0	12.000 +0/-0.011	13.998 +0/-0.004	14.000 +0.007/0	359.39
U100-14.00-150D	14	16	1-1/2	1.650 +0.01/0	14.000 +0/-0.004	14.002 +0.007/0	16.000 +0.011/0	14.000 +0/-0.011	15.998 +0/-0.004	16.000 +0.007/0	379.32
U100-15.00	15	17	1	1.100 +0.01/0	15.000 +0/-0.004	15.002 +0.007/0	17.000 +0.011/0	15.000 +0/-0.011	16.998 +0/-0.004	17.000 +0.007/0	388.15
U100-16.00	16	18	1	1.100 +0.01/0	16.000 +0/-0.004	16.002 +0.007/0	18.000 +0.011/0	16.000 +0/-0.011	17.998 +0/-0.004	18.000 +0.007/0	394.02
U100-18.00	18	20	1	1.100 +0.01/0	18.000 +0/-0.004	18.002 +0.007/0	20.000 +0.011/0	18.000 +0/-0.011	19.998 +0/-0.004	20.000 +0.007/0	435.21
U100-20.00	20	22	1	1.100 +0.01/0	20.000 +0/-0.004	20.002 +0.007/0	22.000 +0.011/0	20.000 +0/-0.011	21.998 +0/-0.004	22.000 +0.007/0	617.04

U-SEALS

STYLE 800 PM U-SEALS

Our Style 800 orange Hytrel U-seals offer superior resistance to abrasion, extrusion, and heat. As a drop-in replacement for our standard Style 800 U-seals, they can prolong equipment life under today's increased demands. These seals are suitable for both petroleum-based and water-based fluids.



PART NUMBERS

U 12 - 0.18 - 25BPM

Type of Seal Cross Section Inside Diameter Height

SEAL INFORMATION

MATERIAL	55D HYTREL SEAL FKM ENERGIZER
TEMPERATURE RANGE	-65° TO +275° F
PRESSURE RANGE	0 TO 5,000 PSI
PART NUMBER	(Prefix)(CS) - (Inside Dia) - (Height)

U-SEALS



Standard -
Height and cross section are equal, thus giving a square seal. Utilizes type "D" lip
Typical Part Number U25-0.18PM



Deep -
Utilizes the same "D" lip, but the seal height is greater than the cross section, thus giving a rectangular shape.
Typical Part Number U25-2.00-37DPM



Type SQB -
Same dimensions as the Standard seal. Beveled lip design provides better film breaking. Utilizes type "B" lip.
Typical Part Number U25-2.50-SQBPM



Type B -
Same dimensions as the Deep seal. Beveled lip design provides better film breaking.
Utilizes type "B" lip.
Typical Part Number U25-2.25-37BPM

Part Number	A NOM. I.D.	B NOM. O.D.	C NOM. HT.	List Price
1/8" C/S				
U12-0.18PM	3/16	7/16	1/8	\$ 5.64
U12-0.25-25BPM	1/4	1/2	1/4	5.47
U12-0.25-SQBPM	1/4	1/2	1/8	5.12
U12-0.31-SQBPM	5/16	9/16	1/8	5.12
U12-0.50-25BPM	1/2	3/4	1/4	5.93
U12-0.50-SQBPM	1/2	3/4	1/8	5.12
U12-0.62-25BPM	5/8	7/8	1/4	6.15
U12-0.75-25BPM	3/4	1	1/4	6.39
U12-0.75-SQBPM	3/4	1	1/8	5.47
U12-0.81-SQBPM	13/16	1-1/16	1/8	5.93
U12-0.87-25BPM	7/8	1-1/8	1/4	6.67
U12-1.00-25BPM	1	1-1/4	1/4	6.91

STYLE 800 PM U-SEALS



U-SEALS

Part Number	A NOM. I.D.	B NOM. O.D.	C NOM. HT.	List Price
1/8" C/S				
U12-1.00-SQBPM	1	1-1/4	1/8	\$ 5.93
U12-1.12-25BPM	1-1/8	1-3/8	1/4	7.19
U12-1.12-SQBPM	1-1/8	1-3/8	1/8	6.15
U12-1.25-25BPM	1-1/4	1-1/2	1/4	7.48
U12-1.37-SQBPM	1-3/8	1-5/8	1/8	6.96
U12-1.50-25BPM	1-1/2	1-3/4	1/4	8.23
U12-1.50-SQBPM	1-1/2	1-3/4	1/8	7.25
3/16" C/S				
U18-0.50PM	1/2	7/8	3/16	\$ 5.93
U18-0.62-SQBPM	5/8	1	3/16	5.70
U18-0.75-SQBPM	3/4	1-1/8	3/16	5.99
U18-1.00-SQBPM	1	1-3/8	3/16	6.62
U18-1.12-SQBPM	1-1/8	1-1/2	3/16	6.91
U18-1.25-SQBPM	1-1/4	1-5/8	3/16	7.19
U18-1.37-31BPM	1-3/8	1-3/4	5/16	8.35
U18-1.37-SQBPM	1-3/8	1-3/4	3/16	7.48
U18-1.50-SQBPM	1-1/2	1-7/8	3/16	7.66
U18-1.62-37BPM	1-5/8	2	3/8	9.10
U18-1.62-SQBPM	1-5/8	2	3/16	8.00
U18-1.75-31BPM	1-3/4	2-1/8	5/16	10.07
U18-1.75-37BPM	1-3/4	2-1/8	3/8	9.61
U18-1.75PM	1-3/4	2-1/8	3/16	8.52
U18-1.75-SQBPM	1-3/4	2-1/8	3/16	8.11
U18-1.87-37BPM	1-7/8	2-1/4	3/8	10.13
U18-1.87-SQBPM	1-7/8	2-1/4	3/16	8.74
U18-2.00-27DPM	2	2-3/8	.27	13.01
U18-2.00-37BPM	2	2-3/8	3/8	10.70
U18-2.00-SQBPM	2	2-3/8	3/16	8.52
U18-2.25-SQBPM	2-1/4	2-5/8	3/16	9.32
U18-3.12-37BPM	3-1/8	3-1/2	3/8	16.64
U18-3.12-SQBPM	3-1/8	3-1/2	3/16	11.98
1/4" C/S				
U25-1.00-37BPM	1	1-1/2	3/8	\$ 8.00
U25-1.18PM	1-3/16	1-11/16	1/4	8.35
U25-1.50-37BPM	1-1/2	2	3/8	9.84
U25-1.50-SQBPM	1-1/2	2	1/4	8.69
U25-1.75-37BPM	1-3/4	2-1/4	3/8	10.76
U25-2.00-37BPM	2	2-1/2	3/8	11.74
U25-2.00-37DPM	2	2-1/2	3/8	12.32



STYLE 800 PM U-SEALS

U-SEALS

Part Number	A NOM. I.D.	B NOM. O.D.	C NOM. HT.	List Price
1/4" C/S				
U25-2.00PM	2	2-1/2	1/4	\$ 10.76
U25-2.00-SQBPM	2	2-1/2	1/4	10.76
U25-2.12-37BPM	2-1/8	2-5/8	3/8	13.13
U25-2.25-37BPM	2-1/4	2-3/4	3/8	13.18
U25-2.25PM	2-1/4	2-3/4	1/4	13.01
U25-2.37-37BPM	2-3/8	2-7/8	3/8	14.50
U25-2.50-37DPM	2-1/2	3	3/8	15.25
U25-2.50PM	2-1/2	3	1/4	13.01
U25-2.50-SQBPM	2-1/2	3	1/4	13.01
U25-2.75-SQBPM	2-3/4	3-1/4	1/4	14.05
U25-3.00PM	3	3-1/2	1/4	15.14
U25-3.00-SQBPM	3	3-1/2	1/4	15.14
U25-3.25-37BPM	3-1/4	3-3/4	3/8	18.31
U25-3.50-37BPM	3-1/2	4	3/8	19.75
U25-3.50PM	3-1/2	4	1/4	18.24
U25-4.00-56BPM	4	4-1/2	9/16	22.79
U25-4.50PM	4-1/2	5	1/4	21.76
U25-5.00PM	5	5-1/2	1/4	23.94
U25-5.50PM	5-1/2	6	1/4	26.13
5/16" C/S				
U31-1.50-37BPM	1-1/2	2-1/8	3/8	\$ 12.09
U31-1.50-50BPM	1-1/2	2-1/8	1/2	12.09
U31-2.37PM	2-3/8	3	5/16	14.85
U31-2.50-50BPM	2-1/2	3-1/8	1/2	16.92
U31-3.00-50BPM	3	3-5/8	1/2	19.80
U31-5.37-SQBPM	5-3/8	6	5/16	32.75
3/8" C/S				
U37-2.50-50BPM	2-1/2	3-1/4	1/2	\$ 23.42
U37-2.75PM	2-3/4	3-1/2	3/8	23.20
U37-3.25-62BPM	3-1/4	4	5/8	29.59
U37-3.25PM	3-1/4	4	3/8	26.76
U37-3.50-62BPM	3-1/2	4-1/4	5/8	31.66
U37-3.75-62BPM	3-3/4	4-1/2	5/8	33.73
U37-4.00-62BPM	4	4-3/4	5/8	35.80
U37-4.25-50DPM	4-1/4	5	1/2	40.00
U37-4.25-62BPM	4-1/4	5	5/8	37.41
U37-4.50-62BPM	4-1/2	5-1/4	5/8	39.25
U37-5.00-62BPM	5	5-3/4	5/8	43.06
U37-5.25-62BPM	5-1/4	6	5/8	47.08

STYLE 800 PM U-SEALS



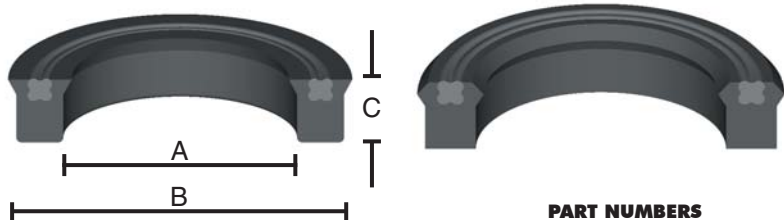
Part Number	A NOM. I.D.	B NOM. O.D.	C NOM. HT.	List Price
3/8" C/S				
U37-5.25PM	5-1/4	6	3/8	\$ 41.62
U37-5.50-62BPM	5-1/2	6-1/4	5/8	46.62
U37-6.25-62BPM	6-1/4	7	5/8	57.50
U37-6.25PM	6-1/4	7	3/8	47.37
U37-7.25PM	7-1/4	8	3/8	53.29
1/2" C/S				
U50-2.25PM	2-1/4	3-1/4	1/2	\$ 28.38

U-SEALS



STYLE 800 HIGH TEMPERATURE POLYURETHANE U-SEALS

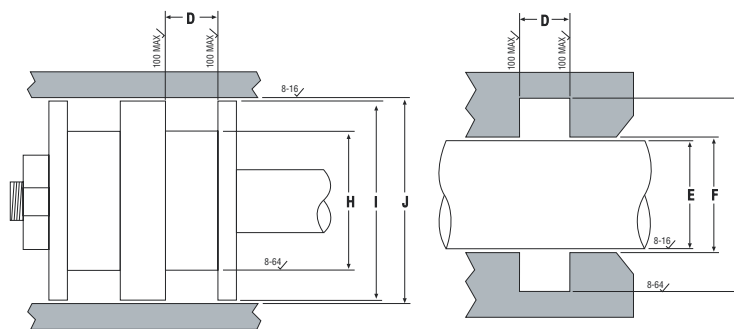
Style 800 U-seals are molded from tough, abrasion-resistant polyurethane. The four lobed expander ring energizes the sealing lips, even at zero pressure, to help prevent "weeping" when the system is idle.



PART NUMBERS

U 12 - 0.18 - 25
 Type of Seal Cross Section Inside Diameter Height

SEAL INFORMATION	
MATERIAL	95A URETHANE
TEMPERATURE RANGE	-40° TO +225° F
PRESSURE RANGE	0 TO 5,000 PSI
PART NUMBER	(Prefix)(CS) - (Inside Dia) - (Height)



Standard -
 Height and cross section are equal, thus giving a square seal. Utilizes type "D" lip
 Typical Part Number U25-2.50



Deep -
 Utilizes the same "D" lip, but the seal height is greater than the cross section, thus giving a rectangular shape.
 Typical Part Number U25-2.50-37D



Type SQB -
 Same dimensions as the Standard seal. Beveled lip design provides better film breaking. Utilizes type "B" lip.
 Typical Part Number U25-2.50-SQB



Type B -
 Same dimensions as the Deep seal. Beveled lip design provides better film breaking. Utilizes type "B" lip.
 Typical Part Number U25-2.50-37B

Part Number	A NOM. I.D.	B NOM. O.D.	C NOM. HT.	D GROOVE WIDTH	E ROD DIAMETER	F THROAT DIAMETER	G HOUSING DIAMETER	H GROOVE DIAMETER	I PISTON DIAMETER	J BORE DIAMETER	List Price
1/8" C/S											
U12-1.00-25BHT	1	1-1/4	1/4	0.275 +0.01/0	1.000 +0/-0.001	1.001 +0.002/0	1.250 +0.002/0	1.000 +0/-0.001	1.249 +0/-0.001	1.250 +0.002/0	\$ 7.21
U12-1.00-SQBHT	1	1-1/4	1/8	0.138 +0.01/0	1.000 +0/-0.001	1.001 +0.002/0	1.250 +0.002/0	1.000 +0/-0.001	1.249 +0/-0.001	1.250 +0.002/0	6.22
U12-1.12-25BHT	1-1/8	1-3/8	1/4	0.275 +0.01/0	1.125 +0/-0.001	1.126 +0.002/0	1.375 +0.002/0	1.125 +0/-0.001	1.374 +0/-0.001	1.375 +0.002/0	7.52
U12-1.25-25BHT	1-1/4	1-1/2	1/4	0.275 +0.01/0	1.250 +0/-0.001	1.251 +0.002/0	1.500 +0.002/0	1.250 +0/-0.001	1.499 +0/-0.001	1.500 +0.002/0	7.82
3/16" C/S											
U18-0.87-31BHT	7/8	1-1/4	5/16	0.344 +0.01/0	0.875 +0/-0.001	0.876 +0.002/0	1.250 +0.002/0	0.875 +0/-0.001	1.249 +0/-0.001	1.250 +0.003/0	\$ 8.27
U18-1.00-31BHT	1	1-3/8	5/16	0.344 +0.01/0	1.000 +0/-0.001	1.001 +0.002/0	1.375 +0.002/0	1.000 +0/-0.001	1.374 +0/-0.001	1.375 +0.003/0	8.40
U18-1.12-SQBHT	1-1/8	1-1/2	3/16	0.207 +0.01/0	1.125 +0/-0.001	1.126 +0.002/0	1.500 +0.002/0	1.125 +0/-0.001	1.499 +0/-0.001	1.500 +0.003/0	7.26
U18-1.25-31BHT	1-1/4	1-5/8	5/16	0.344 +0.01/0	1.250 +0/-0.002	1.251 +0.002/0	1.625 +0.002/0	1.250 +0/-0.002	1.624 +0/-0.001	1.625 +0.003/0	8.30
U18-1.25-SQBHT	1-1/4	1-5/8	3/16	0.207 +0.01/0	1.250 +0/-0.002	1.251 +0.002/0	1.625 +0.002/0	1.250 +0/-0.001	1.624 +0/-0.001	1.625 +0.003/0	7.52
U18-1.31-31BHT	1-5/16	1-11/16	5/16	0.344 +0.01/0	1.312 +0/-0.002	1.313 +0.002/0	1.687 +0.002/0	1.312 +0/-0.002	1.686 +0/-0.001	1.687 +0.003/0	8.74
U18-1.50-37BHT	1-1/2	1-7/8	3/8	0.413 +0.01/0	1.500 +0/-0.002	1.501 +0.002/0	1.875 +0.002/0	1.500 +0/-0.002	1.874 +0/-0.001	1.875 +0.003/0	8.89
U18-1.62-37BHT	1-5/8	2	3/8	0.413 +0.01/0	1.625 +0/-0.002	1.626 +0.002/0	2.000 +0.002/0	1.625 +0/-0.002	1.999 +0/-0.001	2.000 +0.003/0	9.46
U18-1.75-37BHT	1-3/4	2-1/8	3/8	0.413 +0.01/0	1.750 +0/-0.002	1.751 +0.002/0	2.125 +0.002/0	1.750 +0/-0.002	2.124 +0/-0.001	2.125 +0.003/0	10.03

STYLE 800 HIGH TEMPERATURE POLYURETHANE U-SEALS



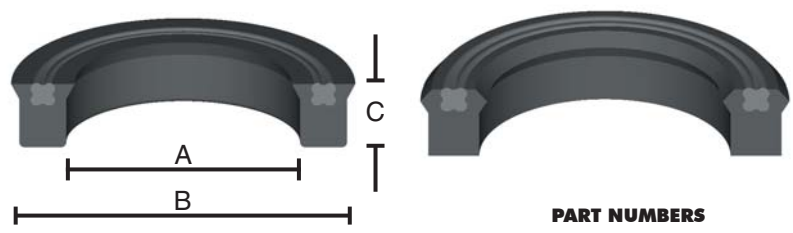
Part Number	A NOM. I.D.	B NOM. O.D.	C NOM. HT.	D GROOVE WIDTH	E ROD DIAMETER	F THROAT DIAMETER	G HOUSING DIAMETER	H GROOVE DIAMETER	I PISTON DIAMETER	J BORE DIAMETER	List Price
3/16" C/S											
U18-1.87-37BHT	1-7/8	2-1/4	3/8	0.413 +0.01/0	1.875 +0/-0.002	1.876 +0.002/0	2.250 +0.003/0	1.875 +0/-0.002	2.249 +0/-0.001	2.250 +0.003/0	\$ 10.60
1/4" C/S											
U25-1.25-SQBHT	1-1/4	1-3/4	1/4	0.275 +0.01/0	1.250 +0/-0.002	1.251 +0.003/0	1.750 +0.003/0	1.250 +0/-0.002	1.749 +0/-0.002	1.750 +0.003/0	\$ 7.99
U25-1.25-37BHT	1-1/4	1-3/4	3/8	0.413 +0.01/0	1.250 +0/-0.002	1.251 +0.003/0	1.750 +0.003/0	1.500 +0/-0.002	1.749 +0/-0.002	1.750 0.003/-0	8.73
U25-1.50-37BHT	1-1/2	2	3/8	0.413 +0.01/0	1.500 +0/-0.002	1.501 +0.003/0	2.000 +0.003/0	1.500 +0/-0.003	1.999 +0/-0.002	2.000 +0.003/0	10.29
U25-1.75-37BHT	1-3/4	2-1/4	3/8	0.413 +0.01/0	1.750 +0/-0.002	1.751 +0.003/0	2.250 +0.003/0	1.750 +0/-0.003	2.124 +0/-0.002	2.250 +0.003/0	11.26
U25-2.00-37BHT	2	2-1/2	3/8	0.413 +0.01/0	2.000 +0/-0.002	2.001 +0.003/0	2.500 +0.003/0	2.000 +0/-0.003	2.499 +0/-0.002	2.500 +0.003/0	12.22
U25-2.00-SQBHT	2	2-1/2	1/4	0.275 +0.01/0	2.000 +0/-0.002	2.001 +0.003/0	2.500 +0.003/0	2.000 +0/-0.003	2.499 +0/-0.002	2.500 +0.003/0	11.28
U25-2.25-37BHT	2-1/4	2-3/4	3/8	0.413 +0.01/0	2.250 +0/-0.001	2.251 +0.002/0	2.750 +0.002/0	2.250 +0/-0.001	2.749 +0/-0.001	2.750 +0.002/0	13.76
U25-2.50-37BHT	2-1/2	3	3/8	0.413 +0.01/0	2.500 +0/-0.002	2.501 +0.003/0	3.000 +0.003/0	2.500 +0/-0.003	2.999 +0/-0.002	3.000 +0.003/0	15.14
U25-2.50-SQBHT	2-1/2	3	1/4	0.275 +0.01/0	2.500 +0/-0.002	2.501 +0.003/0	3.000 +0.003/0	2.500 +0/-0.003	2.999 +0/-0.002	3.000 +0.003/0	14.30
U25-2.62-37BHT	2-5/8	3-1/8	3/8	0.413 +0.01/0	2.625 +0/-0.002	2.626 +0.003/0	3.125 +0.003/0	2.625 +0/-0.003	3.124 +0/-0.002	3.125 +0.003/0	16.32
U25-3.00-37BHT	3	3-1/2	3/8	0.413 +0.01/0	3.000 +0/-0.002	3.001 +0.003/0	3.500 +0.003/0	3.000 +0/-0.003	3.499 +0/-0.002	3.500 +0.003/0	17.94
U25-3.00-SQBHT	3	3-1/2	1/4	0.275 +0.01/0	3.000 +0/-0.002	3.001 +0.003/0	3.500 +0.003/0	3.000 +0/-0.003	3.499 +0/-0.002	3.500 +0.003/0	15.80
U25-3.25-37BHT	3-1/4	3-3/4	3/8	0.413 +0.01/0	3.250 +0/-0.002	3.251 +0.003/0	3.750 +0.003/0	3.250 +0/-0.003	3.749 +0/-0.002	3.750 +0.003/0	19.11
U25-3.50-37BHT	3-1/2	4	3/8	0.413 +0.01/0	3.500 +0/-0.002	3.501 +0.003/0	4.000 +0.003/0	3.500 +0/-0.003	3.999 +0/-0.002	4.000 +0.003/0	20.70
U25-4.00-37BHT	4	4-1/2	3/8	0.413 +0.01/0	4.000 +0/-0.002	4.001 +0.003/0	4.500 +0.003/0	4.000 +0/-0.003	4.499 +0/-0.002	4.500 +0.003/0	23.77

U-SEALS



STYLE 800 FLUOROCARBON U-SEALS

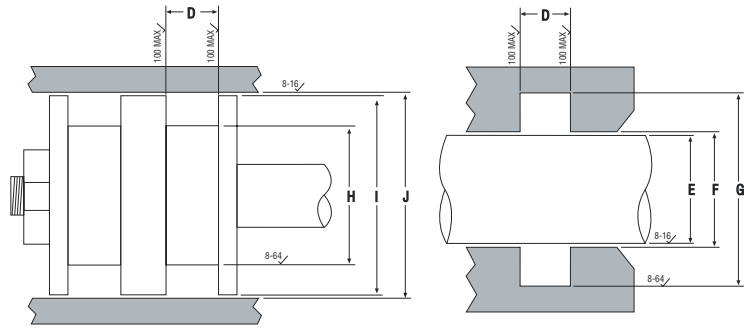
Utilizing the same profiles as the Style 800 Polyurethane U-Seal line, these u-seals are molded from a fluorocarbon compound. While being compatible with a broader range of fluids, these fluorocarbon seals will also operate continuously at temperatures from -20° to +400° F. **NOTE:** If you are not sure of fluid/seal compatibility, please refer to the fluid compatibility chart in the appendix or contact our Engineering Department.



SEAL INFORMATION	
MATERIAL	95A FLUOROCARBON
TEMPERATURE RANGE	-20° TO +400° F
PRESSURE RANGE	0 TO 2,000 PSI
PART NUMBER	(Prefix)(CS) - (Inside Dia) - (Height)

V= VITON (FLUOROCARBON)
 D= DEEP
 B= B-LIP

PART NUMBERS
U 12 - 0.18 - 25
 Type of Seal Section Inside Diameter Height



Standard -
 Height and cross section are equal, thus giving a square seal. Utilizes type "D" lip
 Typical Part Number U25-2.50



Deep -
 Utilizes the same "D" lip, but the seal height is greater than the cross section, thus giving a rectangular shape.
 Typical Part Number U25-2.50-37D



Type SQB -
 Same dimensions as the Standard seal. Beveled lip design provides better film breaking. Utilizes type "B" lip.
 Typical Part Number U25-2.50-SQB



Type B -
 Same dimensions as the Deep seal. Beveled lip design provides better film breaking. Utilizes type "B" lip.
 Typical Part Number U25-2.50-37B

Part Number	A NOM. I.D.	B NOM. O.D.	C NOM. HT.	D GROOVE WIDTH	E ROD DIAMETER	F THROAT DIAMETER	G HOUSING DIAMETER	H GROOVE DIAMETER	I PISTON DIAMETER	J BORE DIAMETER	List Price
1/8" C/S											
U12-0.25V	1/4	1/2	1/8	0.138 +0.01/0	0.250 +0/-0.001	0.257 +0.002/0	0.500 +0.002/0	0.250 +0/-0.001	0.499 +0/-0.001	0.500 +0.002/0	\$ 13.90
U12-0.31V	5/16	9/16	1/8	0.138 +0.01/0	0.250 +0/-0.001	0.257 +0.002/0	0.500 +0.002/0	0.250 +0/-0.001	0.499 +0/-0.001	0.500 +0.002/0	13.90
U12-0.37V	3/8	5/8	1/8	0.138 +0.01/0	0.375 +0/-0.001	0.376 +0.002/0	0.625 +0.002/0	0.375 +0/-0.001	0.624 +0/-0.001	0.625 +0.002/0	13.90
U12-0.50-25BV	1/2	3/4	1/4	0.275 +0.01/0	0.500 +0/-0.001	0.501 +0.002/0	0.750 +0.002/0	0.500 +0/-0.001	0.749 +0/-0.001	0.750 +0.002/0	14.73
U12-0.50V	1/2	3/4	1/8	0.138 +0.01/0	0.500 +0/-0.001	0.501 +0.002/0	0.750 +0.002/0	0.500 +0/-0.001	0.749 +0/-0.001	0.750 +0.002/0	13.90
U12-0.62-25BV	5/8	7/8	1/4	0.275 +0.01/0	0.625 +0/-0.001	0.626 +0.002/0	0.875 +0.002/0	0.625 +0/-0.001	0.874 +0/-0.001	0.875 +0.002/0	15.29
U12-0.62V	5/8	7/8	1/8	0.138 +0.01/0	0.625 +0/-0.001	0.626 +0.002/0	0.875 +0.002/0	0.625 +0/-0.001	0.874 +0/-0.001	0.875 +0.002/0	13.90
U12-0.75-25BV	3/4	1	1/4	0.275 +0.01/0	0.750 +0/-0.001	0.751 +0.002/0	1.000 +0.002/0	0.750 +0/-0.001	0.999 +0/-0.001	1.000 +0.002/0	15.83
U12-0.75V	3/4	1	1/8	0.138 +0.01/0	0.750 +0/-0.001	0.751 +0.002/0	1.000 +0.002/0	0.750 +0/-0.001	0.999 +0/-0.001	1.000 +0.002/0	13.90
U12-0.87V	7/8	1-1/8	1/8	0.138 +0.01/0	0.875 +0/-0.001	0.876 +0.002/0	1.125 +0.002/0	0.875 +0/-0.001	1.124 +0/-0.001	1.125 +0.002/0	15.44
U12-1.00-25BV	1	1-1/4	1/4	0.275 +0.01/0	1.000 +0/-0.001	1.001 +0.002/0	1.250 +0.002/0	1.000 +0/-0.001	1.249 +0/-0.001	1.250 +0.002/0	17.15
U12-1.00V	1	1-1/4	1/8	0.138 +0.01/0	1.000 +0/-0.001	1.001 +0.002/0	1.250 +0.002/0	1.000 +0/-0.001	1.249 +0/-0.001	1.250 +0.002/0	15.44
U12-1.25-25BV	1-1/4	1-1/2	1/4	0.275 +0.01/0	1.250 +0/-0.001	1.251 +0.002/0	1.500 +0.002/0	1.250 +0/-0.001	1.499 +0/-0.001	1.500 +0.002/0	18.42
U12-1.25V	1-1/4	1-1/2	1/8	0.138 +0.01/0	1.250 +0/-0.001	1.251 +0.002/0	1.500 +0.002/0	1.250 +0/-0.001	1.499 +0/-0.001	1.500 +0.002/0	16.76

U-SEALS

STYLE 800 FLUOROCARBON U-SEALS



U-SEALS

Part Number	A NOM. I.D.	B NOM. O.D.	C NOM. HT.	D GROOVE WIDTH	E ROD DIAMETER	F THROAT DIAMETER	G HOUSING DIAMETER	H GROOVE DIAMETER	I PISTON DIAMETER	J BORE DIAMETER	List Price
1/8" C/S											
U12-1.37-25DV	1-3/8	1-5/8	1/4	0.275 +0.01/0	1.375 +0/-0.001	1.376 +0.002/0	1.625 +0.002/0	1.375 +0/-0.001	1.624 +0/-0.001	1.625 +0.002/0	\$ 24.26
U12-1.37V	1-3/8	1-5/8	1/8	0.138 +0.01/0	1.375 +0/-0.001	1.376 +0.002/0	1.625 +0.002/0	1.375 +0/-0.001	1.624 +0/-0.001	1.625 +0.002/0	16.76
U12-1.50-25BV	1 1/2	1-3/4	1/4	0.275 +0.01/0	1.500 +0/-0.001	1.501 +0.002/0	1.750 +0.002/0	1.500 +0/-0.001	1.749 +0/-0.001	1.750 +0.002/0	20.38
U12-1.50V	1-1/2	1-3/4	1/8	0.138 +0.01/0	1.500 +0/-0.001	1.501 +0.002/0	1.750 +0.002/0	1.500 +0/-0.001	1.749 +0/-0.001	1.750 +0.002/0	17.98
U12-1.75V	1-3/4	2	1/8	0.138 +0.01/0	1.750 +0/-0.001	1.751 +0.002/0	2.000 +0.002/0	1.750 +0/-0.001	1.999 +0/-0.001	2.000 +0.002/0	20.15
U12-2.00V	2	2-1/4	1/8	0.138 +0.01/0	2.000 +0/-0.001	2.001 +0.002/0	2.250 +0.002/0	2.000 +0/-0.001	2.249 +0/-0.001	2.250 +0.002/0	22.00
5/32" C/S											
U15-1.00V	1	1-5/16	5/32	0.172 +0.01/0	1.000 +0/-0.001	1.001 +0.002/0	1.312 +0.002/0	1.000 +0/-0.001	1.311 +0/-0.001	1.312 +0.002/0	\$ 18.07
U15-1.18V	1-3/16	1-1/2	5/32	0.172 +0.01/0	1.187 +0/-0.001	1.188 +0.002/0	1.500 +0.002/0	1.187 +0/-0.001	1.499 +0/-0.001	1.500 +0.002/0	19.13
U15-1.37V	1-3/8	1-11/16	5/32	0.172 +0.01/0	1.375 +0/-0.001	1.376 +0.002/0	1.687 +0.002/0	1.375 +0/-0.001	1.686 +0/-0.001	1.687 +0.002/0	20.38
3/16" C/S											
U18-0.37V	3/8	3/4	3/16	0.207 +0.01/0	0.375 +0/-0.002	0.376 +0.002/0	0.750 +0.002/0	0.375 +0/-0.002	0.749 +0/-0.002	0.750 +0.002/0	\$ 13.61
U18-0.50-31BV	1/2	7/8	5/16	0.344 +0.01/0	0.500 +0/-0.002	0.501 +0.002/0	0.875 +0.002/0	0.500 +0/-0.002	0.874 +0/-0.002	0.875 +0.002/0	14.69
U18-0.62V	5/8	1	3/16	0.207 +0.01/0	0.625 +0/-0.002	0.626 +0.002/0	1.000 +0.002/0	0.625 +0/-0.002	0.999 +0/-0.002	1.000 +0.002/0	15.44
U18-0.62-31BV	5/8	1	5/16	0.344 +0.01/0	0.625 +0/-0.002	0.626 +0.002/0	1.000 +0.002/0	0.625 +0/-0.002	0.999 +0/-0.002	1.000 +0.002/0	16.00
U18-0.75-31BV	3/4	1-1/8	5/16	0.344 +0.01/0	0.750 +0/-0.002	0.751 +0.002/0	1.125 +0.002/0	0.750 +0/-0.002	1.124 +0/-0.002	1.125 +0.002/0	17.30
U18-1.00-31BV	1	1-3/8	5/16	0.344 +0.01/0	1.000 +0/-0.002	1.001 +0.002/0	1.375 +0.002/0	1.000 +0/-0.002	1.374 +0/-0.002	1.375 +0.002/0	18.29
U18-1.00V	1	1-3/8	3/16	0.207 +0.01/0	1.000 +0/-0.002	1.001 +0.002/0	1.375 +0.002/0	1.000 +0/-0.002	1.374 +0/-0.002	1.375 +0.002/0	17.23
U18-1.12-31BV	1-1/8	1-1/2	5/16	0.344 +0.01/0	1.125 +0/-0.002	1.126 +0.002/0	1.500 +0.002/0	1.125 +0/-0.002	1.499 +0/-0.002	1.500 +0.002/0	19.09
U18-1.12V	1-1/8	1-1/2	3/16	0.207 +0.01/0	1.125 +0/-0.002	1.126 +0.002/0	1.500 +0.002/0	1.125 +0/-0.002	1.499 +0/-0.002	1.500 +0.002/0	18.91
U18-1.25-31BV	1-1/4	1-5/8	5/16	0.344 +0.01/0	1.250 +0/-0.002	1.251 +0.002/0	1.625 +0.002/0	1.250 +0/-0.002	1.624 +0/-0.002	1.625 +0.002/0	19.61
U18-1.25V	1-1/4	1-5/8	3/16	0.207 +0.01/0	1.250 +0/-0.002	1.251 +0.002/0	1.625 +0.002/0	1.250 +0/-0.002	1.624 +0/-0.002	1.625 +0.002/0	18.91
U18-1.37-25BV	1-3/8	1-3/4	1/4	0.275 +0.01/0	1.375 +0/-0.002	1.376 +0.002/0	1.750 +0.002/0	1.375 +0/-0.002	1.749 +0/-0.002	1.750 +0.002/0	21.69
U18-1.37-31BV	1-3/8	1-3/4	5/16	0.344 +0.01/0	1.375 +0/-0.002	1.376 +0.002/0	1.750 +0.002/0	1.375 +0/-0.002	1.749 +0/-0.002	1.750 +0.002/0	20.64
U18-1.37V	1-3/8	1-3/4	3/16	0.207 +0.01/0	1.375 +0/-0.002	1.376 +0.002/0	1.750 +0.002/0	1.375 +0/-0.002	1.749 +0/-0.002	1.750 +0.002/0	20.38
U18-1.50-25BV	1-1/2	1-7/8	3/16	0.275 +0.01/0	1.500 +0/-0.002	1.501 +0.002/0	1.875 +0.002/0	1.500 +0/-0.002	1.874 +0/-0.002	1.875 +0.002/0	21.86
U18-1.50-37BV	1-1/2	1-7/8	3/8	0.413 +0.01/0	1.500 +0/-0.002	1.501 +0.002/0	1.875 +0.002/0	1.500 +0/-0.002	1.874 +0/-0.002	1.875 +0.002/0	21.69
U18-1.50V	1-1/2	1-7/8	3/16	0.207 +0.01/0	1.500 +0/-0.002	1.501 +0.002/0	1.875 +0.002/0	1.500 +0/-0.002	1.874 +0/-0.002	1.875 +0.002/0	19.93
U18-1.75-31BV	1-3/4	2-1/8	5/16	0.344 +0.01/0	1.750 +0/-0.002	1.751 +0.002/0	2.125 +0.002/0	1.750 +0/-0.002	2.124 +0/-0.002	2.125 +0.002/0	24.73
U18-1.62-37BV	1-5/8	2	3/8	0.413 +0.01/0	1.625 +0/-0.002	1.626 +0.002/0	2.000 +0.002/0	1.625 +0/-0.002	1.999 +0/-0.002	2.000 +0.002/0	22.46
U18-1.62V	1-5/8	2	3/16	0.207 +0.01/0	1.625 +0/-0.002	1.626 +0.002/0	2.000 +0.002/0	1.625 +0/-0.002	1.999 +0/-0.002	2.000 +0.002/0	20.75
U18-1.68V	1-11/16	2-1/16	3/16	0.207 +0.01/0	1.687 +0/-0.002	1.688 +0.002/0	2.062 +0.002/0	1.687 +0/-0.002	2.061 +0/-0.002	2.062 +0.002/0	20.95
U18-1.75-37BV	1-3/4	2-1/8	3/8	0.413 +0.01/0	1.750 +0/-0.002	1.751 +0.002/0	2.125 +0.002/0	1.750 +0/-0.002	2.124 +0/-0.002	2.125 +0.002/0	23.77
U18-1.75V	1-3/4	2-1/8	3/16	0.207 +0.01/0	1.750 +0/-0.002	1.751 +0.002/0	2.125 +0.002/0	1.750 +0/-0.002	2.124 +0/-0.002	2.125 +0.002/0	21.16
U18-2.00-37BV	2	2-3/8	3/8	0.413 +0.01/0	2.000 +0/-0.002	2.001 +0.002/0	2.375 +0.002/0	2.000 +0/-0.002	2.374 +0/-0.002	2.375 +0.002/0	26.46
U18-2.00V	2	2-3/8	3/16	0.207 +0.01/0	2.000 +0/-0.002	2.001 +0.002/0	2.375 +0.002/0	2.000 +0/-0.002	2.374 +0/-0.002	2.375 +0.002/0	22.06
U18-2.12-37BV	2-1/8	2-1/2	3/8	0.413 +0.01/0	2.125 +0/-0.002	2.126 +0.002/0	2.500 +0.002/0	2.125 +0/-0.002	2.499 +0/-0.002	2.500 +0.002/0	27.47
U18-2.12V	2-1/8	2-1/2	3/16	0.207 +0.01/0	2.125 +0/-0.002	2.126 +0.002/0	2.500 +0.002/0	2.250 +0/-0.002	2.499 +0/-0.002	2.500 +0.002/0	21.77
U18-2.25V	2-1/4	2-5/8	3/16	0.207 +0.01/0	2.250 +0/-0.002	2.251 +0.002/0	2.625 +0.002/0	2.250 +0/-0.002	2.624 +0/-0.002	2.625 +0.002/0	24.31
U18-2.50-25DV	2-1/2	2-7/8	1/4	0.275 +0.01/0	2.250 +0/-0.002	2.251 +0.002/0	2.625 +0.002/0	2.250 +0/-0.002	2.624 +0/-0.002	2.625 +0.002/0	35.79

STYLE 800 FLUOROCARBON U-SEALS

U-SEALS

Part Number	A NOM. I.D.	B NOM. O.D.	C NOM. HT.	D GROOVE WIDTH	E ROD DIAMETER	F THROAT DIAMETER	G HOUSING DIAMETER	H GROOVE DIAMETER	I PISTON DIAMETER	J BORE DIAMETER	List Price
3/16" C/S											
U18-2.50-37BV	2-1/2	2-7/8	3/8	0.413 +0.01/0	2.500 +0/-0.002	2.501 +0.002/0	2.875 +0.002/0	2.500 +0/-0.002	2.874 +0/-0.002	2.875 +0.002/0	\$ 31.96
U18-2.50V	2-1/2	2-7/8	3/16	0.207 +0.01/0	2.500 +0/-0.002	2.501 +0.002/0	2.875 +0.002/0	0.250 +0/-0.002	2.874 +0/-0.002	2.875 +0.002/0	25.16
U18-2.62-37BV	2-5/8	3	3/8	0.413 +0.01/0	2.625 +0/-0.002	2.626 +0.002/0	3.000 +0.002/0	2.625 +0/-0.002	2.999 +0/-0.002	3.000 +0.002/0	33.28
U18-2.62V	2-5/8	3	3/16	0.207 +0.01/0	2.625 +0/-0.002	2.626 +0.002/0	3.000 +0.002/0	2.625 +0/-0.002	2.999 +0/-0.002	3.000 +0.002/0	25.09
U18-2.75V	2-3/4	3-1/8	3/16	0.207 +0.01/0	2.750 +0/-0.002	2.751 +0.002/0	3.125 +0.002/0	2.750 +0/-0.002	3.124 +0/-0.002	3.125 +0.002/0	26.09
U18-2.87V	2-7/8	3-1/4	3/16	0.207 +0.01/0	2.875 +0/-0.002	2.876 +0.002/0	3.250 +0.002/0	2.875 +0/-0.002	3.249 +0/-0.002	3.250 +0.002/0	25.88
U18-3.00-37BV	3	3-3/8	3/8	0.413 +0.01/0	3.000 +0/-0.002	3.001 +0.002/0	3.375 +0.002/0	3.000 +0/-0.002	3.374 +0/-0.002	3.375 +0.002/0	40.63
U18-3.00V	3	3-3/8	3/16	0.207 +0.01/0	3.000 +0/-0.002	3.001 +0.002/0	3.375 +0.002/0	3.000 +0/-0.002	3.374 +0/-0.002	3.375 +0.002/0	29.20
U18-3.25-37BV	3-1/4	3-5/8	3/8	0.413 +0.01/0	3.250 +0/-0.002	3.251 +0.002/0	3.625 +0.002/0	3.250 +0/-0.002	3.624 +0/-0.002	3.625 +0.002/0	45.69
U18-3.50-37BV	3-1/2	3-7/8	3/8	0.413 +0.01/0	3.500 +0/-0.002	3.501 +0.002/0	3.875 +0.002/0	3.500 +0/-0.002	3.874 +0/-0.002	3.875 +0.002/0	46.09
U18-3.62V	3-5/8	4	3/16	0.207 +0.01/0	3.625 +0/-0.002	3.626 +0.002/0	4.000 +0.002/0	3.625 +0/-0.002	3.999 +0/-0.002	4.000 +0.002/0	36.06
7/32" C/S											
U21-2.81V	2-13/16	3-1/4	7/32	0.241 +0.01/0	2.812 +0/-0.002	2.813 +0.002/0	3.250 +0.002/0	2.812 +0/-0.002	3.249 +0/-0.002	3.250 +0.002/0	\$ 40.33
1/4" C/S											
U25-0.62V	5/8	1-1/8	1/4	0.275 +0.01/0	0.625 +0/-0.002	0.626 +0.003/0	1.125 +0.003/0	0.625 +0/-0.003	1.124 +0/-0.002	1.125 +0.003/0	\$ 18.31
U25-0.75-37BV	3/4	1-1/4	3/8	0.413 +0.01/0	0.750 +0/-0.002	0.751 +0.003/0	1.250 +0.003/0	0.750 +0/-0.003	1.249 +0/-0.002	1.250 +0.003/0	19.85
U25-0.87-37BV	7/8	1-3/8	3/8	0.413 +0.01/0	0.875 +0/-0.002	0.876 +0.003/0	1.375 +0.003/0	0.875 +0/-0.003	1.374 +0/-0.002	1.375 +0.003/0	20.47
U25-1.00-37BV	1	1-1/2	3/8	0.413 +0.01/0	1.000 +0/-0.002	1.001 +0.003/0	1.500 +0.003/0	1.000 +0/-0.003	1.499 +0/-0.002	1.500 +0.003/0	17.74
U25-1.00V	1	1-1/2	1/4	0.275 +0.01/0	1.000 +0/-0.002	1.001 +0.003/0	1.500 +0.003/0	1.000 +0/-0.003	1.499 +0/-0.002	1.500 +0.003/0	18.08
U25-1.12-37BV	1-1/8	1-5/8	3/8	0.413 +0.01/0	1.125 +0/-0.002	1.126 +0.003/0	1.625 +0.003/0	1.125 +0/-0.003	1.624 +0/-0.002	1.625 +0.003/0	21.48
U25-1.12V	1-1/8	1-5/8	1/4	0.275 +0.01/0	1.125 +0/-0.002	1.126 +0.003/0	1.625 +0.003/0	1.125 +0/-0.003	1.624 +0/-0.002	1.625 +0.003/0	18.49
U25-1.25-37BV	1-1/4	1-3/4	3/8	0.413 +0.01/0	1.250 +0/-0.002	1.251 +0.003/0	1.750 +0.003/0	1.250 +0/-0.003	1.749 +0/-0.002	1.750 +0.003/0	21.48
U25-1.25V	1-1/4	1-3/4	1/4	0.275 +0.01/0	1.250 +0/-0.002	1.251 +0.003/0	1.750 +0.003/0	1.250 +0/-0.003	1.749 +0/-0.002	1.750 +0.003/0	18.91
U25-1.37-37BV	1-3/8	1-7/8	3/8	0.413 +0.01/0	1.375 +0/-0.002	1.376 +0.003/0	1.875 +0.003/0	1.375 +0/-0.003	1.874 +0/-0.002	1.875 +0.003/0	24.45
U25-1.37V	1-3/8	1-7/8	1/4	0.275 +0.01/0	1.375 +0/-0.002	1.376 +0.003/0	1.875 +0.003/0	1.375 +0/-0.003	1.874 +0/-0.002	1.875 +0.003/0	23.09
U25-1.50-37BV	1-1/2	2	3/8	0.413 +0.01/0	1.500 +0/-0.002	1.501 +0.003/0	2.000 +0.003/0	1.500 +0/-0.003	1.999 +0/-0.002	2.000 +0.003/0	24.17
U25-1.50V	1-1/2	2	1/4	0.275 +0.01/0	1.500 +0/-0.002	1.501 +0.003/0	2.000 +0.003/0	1.500 +0/-0.003	1.999 +0/-0.002	2.000 +0.003/0	21.48
U25-1.75-37BV	1-3/4	2-1/4	3/8	0.413 +0.01/0	1.750 +0/-0.002	1.751 +0.003/0	2.250 +0.003/0	1.750 +0/-0.003	2.249 +0/-0.002	2.250 +0.003/0	26.64
U25-1.75V	1-3/4	2-1/4	1/4	0.275 +0.01/0	1.750 +0/-0.002	1.751 +0.003/0	2.250 +0.003/0	1.750 +0/-0.003	2.249 +0/-0.002	2.250 +0.003/0	24.00
U25-2.00-37BV	2	2-1/2	3/8	0.413 +0.01/0	2.000 +0/-0.002	2.001 +0.003/0	2.500 +0.003/0	2.000 +0/-0.003	2.499 +0/-0.002	2.500 +0.003/0	28.45
U25-2.00-37DV	2	2-1/2	3/8	0.413 +0.01/0	2.000 +0/-0.002	2.001 +0.003/0	2.500 +0.003/0	2.000 +0/-0.003	2.499 +0/-0.002	2.500 +0.003/0	29.02
U25-2.00V	2	2-1/2	1/4	0.275 +0.01/0	2.000 +0/-0.002	2.001 +0.003/0	2.500 +0.003/0	2.000 +0/-0.003	2.499 +0/-0.002	2.500 +0.003/0	26.64
U25-2.25-37BV	2-1/4	2-3/4	3/8	0.413 +0.01/0	2.250 +0/-0.002	2.251 +0.003/0	2.750 +0.003/0	2.250 +0/-0.003	2.749 +0/-0.002	2.750 +0.003/0	32.64
U25-2.25V	2-1/4	2-3/4	1/4	0.275 +0.01/0	2.250 +0/-0.002	2.251 +0.003/0	2.750 +0.003/0	2.250 +0/-0.003	2.749 +0/-0.002	2.750 +0.003/0	32.28
U25-2.50-37BV	2-1/2	3	3/8	0.413 +0.01/0	2.500 +0/-0.002	2.501 +0.003/0	3.000 +0.003/0	2.500 +0/-0.003	2.999 +0/-0.002	3.000 +0.003/0	35.90
U25-2.50-37DV	2-1/2	3	3/8	0.413 +0.01/0	2.500 +0/-0.002	2.501 +0.003/0	3.000 +0.003/0	2.500 +0/-0.003	2.999 +0/-0.002	3.000 +0.003/0	38.62
U25-2.50V	2-1/2	3	1/4	0.275 +0.01/0	2.500 +0/-0.002	2.501 +0.003/0	3.000 +0.003/0	2.500 +0/-0.003	2.999 +0/-0.002	3.000 +0.003/0	29.89
U25-2.62-37BV	2-5/8	3-1/8	3/8	0.413 +0.01/0	2.625 +0/-0.002	2.626 +0.003/0	3.125 +0.003/0	2.625 +0/-0.003	3.124 +0/-0.002	3.125 +0.003/0	37.52
U25-2.75-37BV	2-3/4	3-1/4	3/8	0.413 +0.01/0	2.750 +0/-0.002	2.751 +0.003/0	3.250 +0.003/0	2.750 +0/-0.003	3.249 +0/-0.002	3.250 +0.003/0	39.43
U25-2.75V	2-3/4	3-1/4	1/4	0.275 +0.01/0	2.750 +0/-0.002	2.751 +0.003/0	3.250 +0.003/0	2.750 +0/-0.003	3.249 +0/-0.002	3.250 +0.003/0	34.82

STYLE 800 FLUOROCARBON U-SEALS



U-SEALS

Part Number	A NOM. I.D.	B NOM. O.D.	C NOM. HT.	D GROOVE WIDTH	E ROD DIAMETER	F THROAT DIAMETER	G HOUSING DIAMETER	H GROOVE DIAMETER	I PISTON DIAMETER	J BORE DIAMETER	List Price
1/4" C/S											
U25-3.00-37BV	3	3-1/2	3/8	0.413 +0.01/0	3.000 +0/-0.002	3.001 +0.003/0	3.500 +0.003/0	3.000 +0/-0.003	3.499 +0/-0.002	3.500 +0.003/0	\$ 42.38
U25-3.00V	3	3-1/2	1/4	0.275 +0.01/0	3.000 +0/-0.002	3.001 +0.003/0	3.500 +0.003/0	3.000 +0/-0.003	3.499 +0/-0.002	3.500 +0.003/0	37.52
U25-3.25-37BV	3-1/4	3-3/4	3/8	0.413 +0.01/0	3.250 +0/-0.002	3.251 +0.003/0	3.750 +0.003/0	3.250 +0/-0.003	3.749 +0/-0.002	3.750 +0.003/0	45.31
U25-3.25V	3-1/4	3-3/4	1/4	0.275 +0.01/0	3.250 +0/-0.002	3.251 +0.003/0	3.750 +0.003/0	3.250 +0/-0.003	3.749 +0/-0.002	3.750 +0.003/0	42.22
U25-3.50-37BV	3-1/2	4	3/8	0.413 +0.01/0	3.500 +0/-0.002	3.501 +0.003/0	4.000 +0.003/0	3.500 +0/-0.003	3.999 +0/-0.002	4.000 +0.003/0	48.95
U25-3.50-37DV	3-1/2	4	3/8	0.413 +0.01/0	3.500 +0/-0.002	3.501 +0.003/0	4.000 +0.003/0	3.500 +0/-0.003	3.999 +0/-0.002	4.000 +0.003/0	49.62
U25-3.50V	3-1/2	4	1/4	0.275 +0.01/0	3.500 +0/-0.002	3.501 +0.003/0	4.000 +0.003/0	3.500 +0/-0.003	3.999 +0/-0.002	4.000 +0.003/0	45.15
U25-4.00-37BV	4	4-1/2	3/8	0.413 +0.01/0	4.000 +0/-0.002	4.001 +0.003/0	4.500 +0.003/0	4.000 +0/-0.003	4.499 +0/-0.002	4.500 +0.003/0	54.05
U25-4.00-56BV	4	4-1/2	9/16	0.619 +0.01/0	4.000 +0/-0.002	4.001 +0.003/0	4.500 +0.003/0	4.000 +0/-0.003	4.499 +0/-0.002	4.500 +0.003/0	56.36
U25-4.00V	4	4-1/2	1/4	0.275 +0.01/0	4.000 +0/-0.002	4.001 +0.003/0	4.500 +0.003/0	4.000 +0/-0.003	4.499 +0/-0.002	4.500 +0.003/0	50.81
U25-4.25-56BV	4-1/4	4-3/4	9/16	0.619 +0.01/0	4.250 +0/-0.002	4.251 +0.003/0	4.750 +0.003/0	4.250 +0/-0.003	4.749 +0/-0.002	4.750 +0.003/0	67.39
U25-4.50V	4-1/2	5	1/4	0.275 +0.01/0	4.500 +0/-0.002	4.501 +0.003/0	5.000 +0.003/0	4.500 +0/-0.003	4.999 +0/-0.002	5.000 +0.003/0	53.91
U25-4.75-56BV	4-3/4	5-1/4	9/16	0.616 +0.01/0	4.750 +0/-0.002	4.751 +0.003/0	5.250 +0.003/0	4.750 +0/-0.003	5.249 +0/-0.002	5.250 +0.003/0	69.78
U25-5.00-37BV	5	5-1/2	3/8	0.413 +0.01/0	5.000 +0/-0.002	5.001 +0.003/0	5.500 +0.003/0	5.000 +0/-0.003	5.499 +0/-0.002	5.500 +0.003/0	77.19
U25-5.00-56BV	5	5-1/2	9/16	0.616 +0.01/0	5.000 +0/-0.002	5.001 +0.003/0	5.500 +0.003/0	5.000 +0/-0.003	5.499 +0/-0.002	5.500 +0.003/0	77.19
U25-5.00V	5	5-1/2	1/4	0.275 +0.01/0	5.000 +0/-0.002	5.001 +0.003/0	5.500 +0.003/0	5.000 +0/-0.003	5.499 +0/-0.002	5.500 +0.003/0	59.29
U25-5.50V	5-1/2	6	1/4	0.275 +0.01/0	5.500 +0/-0.002	5.501 +0.003/0	6.000 +0.003/0	5.500 +0/-0.003	5.999 +0/-0.002	6.000 +0.003/0	71.19
9/32" C/S											
U28-5.43V	5-7/16	6	9/32	0.308 +0.010/0	5.437 +0/-0.002	5.439 +0.003/0	6.000 +0.003/0	5.437 +0/-0.003	5.999 +0/-0.002	6.000 +0.003/0	\$ 115.79
5/16" C/S											
U31-1.00V	1	1-5/8	5/16	0.344 +0.01/0	1.000 +0/-0.002	1.002 +0.003/0	1.625 +0.004/0	1.000 +0/-0.004	1.623 +0/-0.002	1.625 +0.003/0	\$ 22.79
U31-1.25V	1-1/4	1-7/8	5/16	0.344 +0.01/0	1.250 +0/-0.002	1.252 +0.003/0	1.875 +0.004/0	1.250 +0/-0.004	1.873 +0/-0.002	1.875 +0.003/0	22.79
U31-1.37-50BV	1-3/8	2	1/2	0.550 +0.01/0	1.375 +0/-0.002	1.377 +0.003/0	2.000 +0.004/0	1.375 +0/-0.004	1.998 +0/-0.002	2.000 +0.003/0	26.78
U31-1.37V	1-3/8	2	5/16	0.344 +0.01/0	1.375 +0/-0.002	1.377 +0.003/0	2.000 +0.004/0	1.375 +0/-0.004	1.998 +0/-0.002	2.000 +0.003/0	26.09
U31-1.50V	1-1/2	2-1/8	5/16	0.344 +0.01/0	1.500 +0/-0.002	1.502 +0.003/0	2.125 +0.004/0	1.500 +0/-0.004	2.123 +0/-0.002	2.125 +0.003/0	26.55
U31-1.75-50BV	1-3/4	2-3/8	1/2	0.550 +0.01/0	1.750 +0/-0.002	1.752 +0.003/0	2.375 +0.004/0	1.750 +0/-0.004	2.373 +0/-0.002	2.375 +0.003/0	33.20
U31-1.75V	1-3/4	2-3/8	5/16	0.344 +0.01/0	1.750 +0/-0.002	1.752 +0.003/0	2.375 +0.004/0	1.750 +0/-0.004	2.373 +0/-0.002	2.375 +0.003/0	29.97
U31-2.00-50BV	2	2-5/8	1/2	0.550 +0.01/0	2.000 +0/-0.002	2.002 +0.003/0	2.625 +0.004/0	2.000 +0/-0.004	2.623 +0/-0.002	2.625 +0.003/0	35.06
U31-2.00V	2	2-5/8	5/16	0.344 +0.01/0	2.000 +0/-0.002	2.002 +0.003/0	2.625 +0.004/0	2.000 +0/-0.004	2.623 +0/-0.002	2.625 +0.003/0	33.51
U31-2.25V	2-1/4	2-7/8	5/16	0.344 +0.01/0	2.250 +0/-0.002	2.252 +0.003/0	2.875 +0.004/0	2.250 +0/-0.004	2.873 +0/-0.002	2.875 +0.003/0	36.76
U31-2.37-50BV	2-3/8	3	1/2	0.550 +0.01/0	2.375 +0/-0.002	2.377 +0.003/0	3.000 +0.004/0	2.375 +0/-0.004	2.998 +0/-0.002	3.000 +0.003/0	40.13
U31-2.37V	2-3/8	3	5/16	0.344 +0.01/0	2.375 +0/-0.002	2.377 +0.003/0	3.000 +0.004/0	2.375 +0/-0.004	2.998 +0/-0.002	3.000 +0.003/0	36.81
U31-2.50V	2-1/2	3-1/8	5/16	0.344 +0.01/0	2.500 +0/-0.002	2.502 +0.003/0	3.125 +0.004/0	2.500 +0/-0.004	3.123 +0/-0.002	3.125 +0.003/0	38.31
U31-2.62-50BV	2-5/8	3-1/4	1/2	0.550 +0.01/0	2.625 +0/-0.002	2.627 +0.003/0	3.250 +0.004/0	2.625 +0/-0.004	3.248 +0/-0.002	3.250 +0.003/0	42.46
U31-2.75-50BV	2-3/4	3-3/8	1/2	0.344 +0.01/0	2.750 +0/-0.002	2.752 +0.003/0	3.375 +0.004/0	2.750 +0/-0.004	3.373 +0/-0.002	3.375 +0.003/0	47.77
U31-2.75V	2-3/4	3-3/8	5/16	0.344 +0.01/0	2.750 +0/-0.002	2.752 +0.003/0	3.375 +0.004/0	2.750 +0/-0.004	3.373 +0/-0.002	3.375 +0.003/0	45.31
U31-3.00V	3	3-5/8	5/16	0.344 +0.01/0	3.000 +0/-0.002	3.002 +0.003/0	3.625 +0.004/0	3.000 +0/-0.004	3.623 +0/-0.002	3.625 +0.003/0	47.16
U31-3.25V	3-1/4	3-7/8	5/16	0.344 +0.01/0	3.250 +0/-0.002	3.252 +0.003/0	3.875 +0.004/0	3.250 +0/-0.004	3.873 +0/-0.002	3.875 +0.003/0	50.48
U31-3.50V	3-1/2	4-1/8	5/16	0.344 +0.01/0	3.500 +0/-0.002	3.502 +0.003/0	4.125 +0.004/0	3.500 +0/-0.004	4.123 +0/-0.002	4.125 +0.003/0	54.50
U31-3.62V	3-5/8	4-1/4	5/16	0.344 +0.01/0	3.625 +0/-0.002	3.626 +0.003/0	4.250 +0.004/0	3.625 +0/-0.004	4.249 +0/-0.002	4.250 +0.003/0	57.02

STYLE 800 FLUOROCARBON U-SEALS

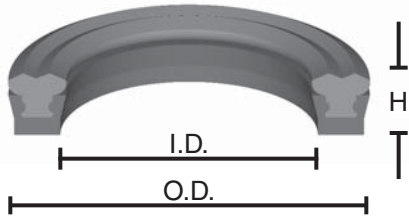
U-SEALS

Part Number	A NOM. I.D.	B NOM. O.D.	C NOM. HT.	D GROOVE WIDTH	E ROD DIAMETER	F THROAT DIAMETER	G HOUSING DIAMETER	H GROOVE DIAMETER	I PISTON DIAMETER	J BORE DIAMETER	List Price
5/16" C/S											
U31-4.00V	4	4-5/8	5/16	0.344 +0.01/0	4.000 +0/-0.002	4.002 +0.003/0	4.625 +0.004/0	4.000 +0/-0.004	4.623 +0/-0.002	4.625 +0.003/0	\$ 64.56
U31-4.37-50DV	4-3/8	5	1/2	0.550 +0.01/0	4.375 +0/-0.002	4.377 +0.003/0	5.000 +0.004/0	4.375 +0/-0.004	4.998 +0/-0.002	5.000 +0.003/0	72.58
U31-4.37V	4-3/8	5	5/16	0.344 +0.01/0	4.375 +0/-0.002	4.377 +0.003/0	5.000 +0.004/0	4.375 +0/-0.004	4.998 +0/-0.002	5.000 +0.003/0	65.42
U31-5.37V	5-3/8	6	5/16	0.344 +0.01/0	5.375 +0/-0.002	5.377 +0.003/0	6.000 +0.004/0	5.375 +0/-0.004	5.998 +0/-0.002	6.000 +0.003/0	77.19
U31-6.37V	6-3/8	7	5/16	0.344 +0.01/0	6.375 +0/-0.002	6.377 +0.003/0	7.000 +0.004/0	6.375 +0/-0.004	6.998 +0/-0.002	7.000 +0.003/0	97.13
U31-7.37V	7-3/8	8	5/16	0.344 +0.01/0	7.375 +0/-0.002	7.377 +0.003/0	8.000 +0.004/0	7.375 +0/-0.004	7.998 +0/-0.002	8.000 +0.003/0	100.96
3/8" C/S											
U37-1.75-62BV	1-3/4	2-1/2	5/8	0.688 +0.01/0	1.750 +0/-0.002	1.752 +0.004/0	2.500 +0.005/0	1.750 +0/-0.005	2.498 +0/-0.002	2.500 +0.004/0	\$ 44.84
U37-2.75-62BV	2-3/4	3-1/2	5/8	0.688 +0.01/0	2.750 +0/-0.002	2.752 +0.004/0	3.500 +0.005/0	2.750 +0/-0.005	3.498 +0/-0.002	3.500 +0.004/0	66.38
U37-3.00-62BV	3	3-3/4	5/8	0.688 +0.01/0	3.000 +0/-0.002	3.002 +0.004/0	3.750 +0.005/0	3.000 +0/-0.005	3.748 +0/-0.002	3.750 +0.004/0	68.86
U37-3.25V	3-1/4	4	3/8	0.413 +0.01/0	3.250 +0/-0.002	3.252 +0.004/0	4.000 +0.005/0	3.250 +0/-0.005	3.998 +0/-0.002	4.000 +0.004/0	66.23
U37-3.50-62BV	3-1/2	4-1/4	5/8	0.688 +0.01/0	3.500 +0/-0.002	3.502 +0.004/0	4.250 +0.005/0	3.500 +0/-0.005	4.248 +0/-0.002	4.250 +0.004/0	78.26
U37-3.75-62BV	3-3/4	4-1/2	5/8	0.688 +0.01/0	3.750 +0/-0.002	3.752 +0.004/0	4.500 +0.005/0	3.750 +0/-0.005	4.498 +0/-0.002	4.500 +0.004/0	83.45
U37-4.00-62BV	4	4-3/4	5/8	0.688 +0.01/0	4.000 +0/-0.002	4.002 +0.004/0	4.750 +0.005/0	4.000 +0/-0.005	4.748 +0/-0.002	4.750 +0.004/0	88.54
U37-4.25-62DV	4-1/4	5	5/8	0.688 +0.01/0	4.250 +0/-0.002	4.252 +0.004/0	5.000 +0.005/0	4.250 +0/-0.005	4.998 +0/-0.002	5.000 +0.004/0	92.64
U37-4.25V	4-1/4	5	3/8	0.413 +0.01/0	4.250 +0/-0.002	4.252 +0.004/0	5.000 +0.005/0	4.250 +0/-0.005	4.998 +0/-0.002	5.000 +0.004/0	84.67
U37-4.50-62BV	4-1/2	5-1/4	5/8	0.688 +0.01/0	4.500 +0/-0.002	4.502 +0.004/0	5.250 +0.005/0	4.500 +0/-0.005	5.248 +0/-0.002	5.250 +0.004/0	97.18
U37-4.75-62BV	4-3/4	5-1/2	5/8	0.688 +0.01/0	4.750 +0/-0.002	4.752 +0.004/0	5.500 +0.005/0	4.750 +0/-0.005	5.498 +0/-0.002	5.500 +0.004/0	104.37
U37-5.00-62BV	5	5-3/4	5/8	0.688 +0.01/0	5.000 +0/-0.002	5.002 +0.004/0	5.750 +0.005/0	5.000 +0/-0.005	5.748 +0/-0.002	5.750 +0.004/0	106.51
U37-5.00V	5	5-3/4	3/8	0.413 +0.01/0	5.000 +0/-0.002	5.002 +0.004/0	5.750 +0.005/0	5.000 +0/-0.005	5.748 +0/-0.002	5.750 +0.004/0	102.97
U37-5.25-62DV	5-1/4	6	5/8	0.688 +0.01/0	5.250 +0/-0.002	5.252 +0.004/0	6.000 +0.005/0	5.250 +0/-0.005	5.998 +0/-0.002	6.000 +0.004/0	111.08
U37-5.25V	5-1/4	6	3/8	0.413 +0.01/0	5.250 +0/-0.002	5.252 +0.004/0	6.000 +0.005/0	5.250 +0/-0.005	5.998 +0/-0.002	6.000 +0.004/0	106.40
U37-5.50-62BV	5-1/2	6-1/4	5/8	0.688 +0.01/0	5.500 +0/-0.002	5.502 +0.004/0	6.250 +0.005/0	5.500 +0/-0.005	6.248 +0/-0.002	6.250 +0.004/0	115.39
U37-5.50V	5-1/2	6-1/4	3/8	0.413 +0.01/0	5.500 +0/-0.002	5.502 +0.004/0	6.250 +0.005/0	5.500 +0/-0.005	6.248 +0/-0.002	6.250 +0.004/0	112.06
U37-6.00-62BV	6	6-3/4	5/8	0.688 +0.01/0	6.000 +0/-0.002	6.002 +0.004/0	6.750 +0.005/0	6.000 +0/-0.005	6.748 +0/-0.002	6.750 +0.004/0	123.05
U37-6.25-50DV	6-1/4	7	1/2	0.550 +0.01/0	6.250 +0/-0.002	6.252 +0.004/0	7.000 +0.005/0	6.250 +0/-0.005	6.998 +0/-0.002	7.000 +0.004/0	126.52
U37-6.25-62BV	6-1/4	7	5/8	0.688 +0.01/0	6.250 +0/-0.002	6.252 +0.004/0	7.000 +0.005/0	6.250 +0/-0.005	6.998 +0/-0.002	7.000 +0.004/0	126.52
U37-6.25V	6-1/4	7	3/8	0.413 +0.01/0	6.250 +0/-0.002	6.252 +0.004/0	7.000 +0.005/0	6.250 +0/-0.005	6.998 +0/-0.002	7.000 +0.004/0	127.69
U37-6.50V	6-1/2	7 1/4	3/8	0.413 +0.01/0	6.500 +0/-0.002	6.502 +0.004/0	7.250 +0.005/0	6.500 +0/-0.005	7.248 +0/-0.002	7.250 +0.004/0	155.50
U37-7.25-62DV	7-1/4	8	5/8	0.688 +0.01/0	7.250 +0/-0.002	7.252 +0.004/0	8.000 +0.005/0	7.250 +0/-0.005	7.998 +0/-0.002	8.000 +0.004/0	146.35
U37-7.25V	7-1/4	8	3/8	0.413 +0.01/0	7.250 +0/-0.002	7.252 +0.004/0	8.000 +0.005/0	7.250 +0/-0.005	7.998 +0/-0.002	8.000 +0.004/0	131.91
U37-9.25V	9-1/4	10	3/8	0.413 +0.01/0	9.250 +0/-0.002	9.252 +0.004/0	10.000 +0.005/0	9.250 +0/-0.005	9.998 +0/-0.002	10.000 +0.004/0	162.65
1/2" C/S											
U50-4.00V	4	5	1/2	0.550 +0.01/0	4.000 +0/-0.002	4.002 +0.004/0	5.000 +0.005/0	4.000 +0/-0.005	3.998 +0/-0.002	5.000 +0.004/0	\$ 109.36
U50-5.00V	5	6	1/2	0.550 +0.01/0	5.000 +0/-0.002	5.002 +0.004/0	6.000 +0.005/0	5.000 +0/-0.005	4.998 +0/-0.002	6.000 +0.004/0	133.54
U50-6.00-75DV	6	7	3/4	0.825 +0.01/0	6.000 +0/-0.002	6.002 +0.004/0	7.000 +0.005/0	6.000 +0/-0.005	5.998 +0/-0.002	7.000 +0.004/0	178.22
U50-6.00V	6	7	1/2	0.550 +0.01/0	6.000 +0/-0.002	6.002 +0.004/0	7.000 +0.005/0	6.000 +0/-0.005	5.998 +0/-0.002	7.000 +0.004/0	160.13
U50-7.00V	7	8	1/2	0.550 +0.01/0	7.000 +0/-0.002	7.002 +0.004/0	8.000 +0.005/0	7.000 +0/-0.005	6.998 +0/-0.002	8.000 +0.004/0	164.42
U50-8.00V	8	9	1/2	0.550 +0.01/0	8.000 +0/-0.002	8.002 +0.004/0	9.000 +0.005/0	8.000 +0/-0.005	7.998 +0/-0.002	9.000 +0.004/0	183.40
U50-9.00V	9	10	1/2	0.550 +0.01/0	9.000 +0/-0.002	9.002 +0.004/0	10.000 +0.005/0	9.000 +0/-0.005	8.998 +0/-0.002	10.000 +0.004/0	204.11

Z-SEALS



The Z-Seal™ is a squeeze type seal, combining the excellent sealability and low compression set of a resilient rubber lip with the greater anti-extrusion characteristics of a hard thermoplastic base. Under low pressure conditions, the sealing lip provides its own compressive seal force. As pressure increases, hydrostatic pressure is mechanically transmitted through the elastomeric seal element into the anti-extrusion base. The applied force then deflects radially in a controlled manner, closing the extrusion gap behind the sealing lip. Under this condition, maximum sealing effectiveness is achieved.



SUFFIX: ZF = FLUOROTREL
(-40° TO +235° F)
ZL = LOW TEMPERATURE
NITRILE SEALING LIP
(-65° TO +200° F)
ZLF = (-65° TO +200° F)



SEAL INFORMATION

MATERIAL	95A URETHANE 70A NITRILE RUBBER
TEMPERATURE RANGE	-40° TO +200° F
PRESSURE RANGE	0 TO 5,000 PSI
PART NUMBER	(Prefix)(CS) - (Inside Dia) - (Height)

Part Number	I.D.	O.D.	H.	List Price
1/8" C/S				
U12-0.50-25DZ	1/2	3/4	1/4	\$ 5.37
U12-0.75-18DZ	3/4	1	3/16	5.86
U12-0.75-25DZ	3/4	1	1/4	5.97
U12-0.87-25DZ	7/8	1-1/8	1/4	6.32
U12-0.87-25Z	7/8	1-1/8	1/4	6.45
U12-1.00-25DZ	1	1-1/4	1/4	6.56
U12-1.00-25DZLFF	1	1-1/4	1/4	7.59
U12-1.12-25DZ	1-1/8	1-3/8	1/4	6.84
U12-1.25-25DZ	1-1/4	1-1/2	1/4	7.25
5/32" C/S				
U15-1.50-31DZ	1-1/2	1-13/16	5/16	\$ 10.77
3/16" C/S				
U18-1.00-31DZ	1	1-3/8	5/16	\$ 7.03
U18-1.00-31Z	1	1-3/8	5/16	8.16
U18-1.12-31DZ	1-1/8	1-1/2	5/16	7.33
U18-1.12-31Z	1-1/8	1-1/2	5/16	8.40
U18-1.18-31DZ	1-1/8	1-9/16	5/16	7.75
U18-1.25-31DZ	1-1/4	1-5/8	5/16	8.15
U18-1.25-31Z	1-1/4	1-5/8	5/16	8.80
U18-1.25-37DZLFF	1-1/4	1-5/8	3/8	11.19
U18-1.25-37Z	1-1/4	1-5/8	3/8	8.15
U18-1.37-31DZ	1-3/8	1-3/4	5/16	7.93
U18-1.37-31DZLFF	1-3/8	1-3/4	5/16	9.20
U18-1.50-31DZ	1-1/2	1-7/8	5/16	6.96
U18-1.50-37DZ	1-1/2	1-7/8	3/8	7.69
U18-1.50-37Z	1-1/2	1-7/8	3/8	9.43
U18-1.62-31DZ	1-5/8	2	5/16	8.90
U18-1.62-37Z	1-5/8	2	3/8	10.05

Part Number	I.D.	O.D.	H.	List Price
3/16" C/S				
U18-1.75-25Z	1-3/4	2-1/8	1/4	\$ 9.80
U18-1.75-37DZ	1-3/4	2-1/8	3/8	10.44
U18-1.75-37Z	1-3/4	2-1/8	3/8	10.64
U18-1.87-37Z	1-7/8	2-1/4	3/8	11.27
U18-2.00-25Z	2	2-3/8	1/4	11.35
U18-2.00-31DZ	2	2-3/8	5/16	10.00
U18-2.00-37DZ	2	2-3/8	3/8	10.00
U18-2.00-37Z	2	2-3/8	3/8	11.85
U18-2.25-37DZ	2-1/4	3	3/8	10.62
U18-2.37-31DZ	2-3/8	2-3/4	5/16	14.64
U18-2.75-31DZ	2-3/4	3-1/8	5/16	15.75
U18-2.50-37Z	2-1/2	2-7/8	3/8	14.33
U18-3.00-37Z	3	3-3/8	3/8	15.85
U18-3.50-37Z	3-1/2	3-7/8	3/8	18.80
U18-4.00-37ZF	4	4-3/8	3/8	25.74
1/4" C/S				
U25-0.37-37DZ	3/8	7/8	3/8	\$ 7.95
U25-1.00-37DZ	1	1-1/2	3/8	8.84
U25-1.00-37Z	1	1-1/2	3/8	8.84
U25-1.00-56DZ	1	1-1/2	9/16	7.22
U25-1.25-37DZ	1-1/4	1-3/4	3/8	9.17
U25-1.25-37Z	1-1/4	1-3/4	3/8	9.17
U25-1.50-37DZ	1-1/2	2	3/8	9.10
U25-1.50-37DZR	1-1/2	2	3/8	28.17
U25-1.50-37Z	1-1/2	2	3/8	10.91
U25-1.75-31ZF	1-3/4	2-1/4	5/16	12.12
U25-1.75-37DZF	1-3/4	2-1/4	3/8	11.32
U25-1.75-37Z	1-3/4	2-1/4	3/8	11.90

Z-SEALS

U-SEALS

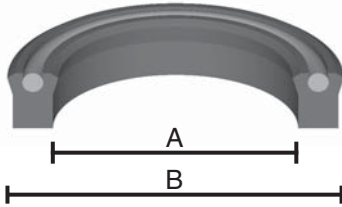
Part Number	I.D.	O.D.	H.	List Price
1/4" C/S				
U25-1.75-37ZF	1-3/4	2-1/4	3/8	\$ 11.36
U25-2.00-37DZ	2	2-1/2	3/8	12.15
U25-2.00-37DZF	2	2-1/2	3/8	12.41
U25-2.00-37DZR	2	2-1/2	3/8	23.59
U25-2.00-37Z	2	2-1/2	3/8	12.96
U25-2.25-37DZLF	2-1/4	2-1/2	3/8	14.85
U25-2.25-37Z	2-1/4	2-3/4	3/8	14.67
U25-2.37-37Z	2-3/8	2-7/8	3/8	14.71
U25-2.50-37DZ	2-1/2	3	3/8	12.85
U25-2.50-37DZF	2-1/2	3	3/8	17.28
U25-2.50-37DZR	2-1/2	3	3/8	36.88
U25-2.50-37Z	2-1/2	3	3/8	16.06
U25-2.50-37ZF	2-1/2	3	3/8	15.31
U25-2.62-37DZ	2-5/8	3-1/8	3/8	12.31
U25-2.62-37Z	2-5/8	3-1/8	3/8	14.71
U25-2.75-37DZ	2-3/4	3-1/4	3/8	14.03
U25-2.75-37DZLF	2-3/4	3-1/4	3/8	19.72
U25-2.75-37DZR	2-3/4	3-1/4	3/8	48.80
U25-2.75-37Z	2-3/4	3-1/4	3/8	16.90
U25-3.00-37DZ	3	3-1/2	3/8	15.43
U25-3.00-37DZF	3	3-1/2	3/8	18.06
U25-3.00-37DZR	3	3-1/2	3/8	56.36
U25-3.00-37Z	3	3-1/2	3/8	18.95
U25-3.25-37Z	3-1/4	3-3/4	3/8	19.86
U25-3.37-37DZ	3-3/8	3-7/8	3/8	18.64
U25-3.50-37DZ	3-1/2	4	3/8	19.70
U25-3.50-37DZF	3-1/2	4	3/8	20.87
U25-3.50-37Z	3-1/2	4	3/8	21.66
U25-3.75-37DZ	3-7/8	4-3/8	3/8	21.82
U25-3.75-37Z	3-3/4	4-1/4	3/8	21.82
U25-3.75-56DZ	3-3/4	4-1/4	9/16	35.34
U25-3.87-37DZ	3-7/8	4-3/8	3/8	22.92
U25-4.00-37DZLF	4	4-3/4	3/8	27.14
U25-4.00-37Z	4	4-1/2	3/8	25.27
U25-4.50-37DZR	4-1/2	5	3/8	107.57
U25-4.50-37Z	4-1/2	5	3/8	28.99
U25-4.50-56DZ	4-1/2	5	9/16	24.40
U25-5.00-56Z	5	5-1/2	9/16	29.42
U25-5.25-56DZ	5-1/4	5-3/4	9/16	35.34
U25-5.50-37Z	5-1/2	6	3/8	36.43
U25-5.50-56ZF	5-1/2	6	9/16	41.97
U25-6.50-37DZ	6-1/2	7	3/8	39.06

Part Number	I.D.	O.D.	H.	List Price
5/16" C/S				
U31-1.37-50Z	1-3/8	2	1/2	\$ 11.44
U31-1.87-50Z	1-7/8	2-1/2	1/2	14.91
U31-2.50-50DZL	2-1/2	3-1/8	1/2	15.78
U31-3.00-50DZL	3	3-5/8	1/2	24.12
U31-3.50-50DZ	3-1/2	4-1/8	1/2	22.54
U31-4.50-62DZLF	4-1/2	5-1/8	5/8	41.26
U31-4.50-62Z	4-1/2	5-1/8	5/8	29.90
U31-7.00-62DZ	7	7-5/8	5/8	126.24
U31-10.50-62DZ	10-1/2	11-1/18	5/8	235.21
U31-13.00-62DZR	13	13-5/8	5/8	330.48
3/8" C/S				
U37-1.75-62Z	1-3/4	2-1/2	5/8	\$ 17.29
U37-2.25-62Z	2-1/4	3	5/8	18.18
U37-2.50-62DZ	2-1/2	3-1/4	5/8	20.75
U37-2.50-62Z	2-1/2	3-1/4	5/8	18.58
U37-2.62-62Z	2-5/8	3-3/8	5/8	24.42
U37-2.75-62Z	2-3/4	3-1/2	5/8	20.21
U37-3.00-62Z	3	3-3/4	5/8	20.70
U37-3.25-62Z	3-1/4	4	5/8	23.43
U37-3.50-62DZ	3-1/2	4-1/4	5/8	28.09
U37-3.62-62Z	3-5/8	4-3/8	5/8	32.73
U37-3.75-62Z	3-3/4	4-1/2	5/8	26.73
U37-4.00-62Z	4	4-3/4	5/8	34.81
U37-4.25-62Z	4-1/4	5	5/8	28.42
U37-4.37-50Z	4-3/8	5-1/8	1/2	48.40
U37-4.50-62Z	4-1/2	5-1/4	5/8	39.31
U37-4.50-62DZ	4-1/2	5-1/4	5/8	34.83
U37-4.50-62DZR	4-1/2	5-1/4	5/8	85.55
U37-4.75-62Z	4-3/4	5-1/2	5/8	32.54
U37-5.25-62DZR	5-1/4	6	5/8	108.10
U37-5.25-62Z	5-1/4	6	5/8	35.53
U37-5.50-62Z	5-1/2	6-1/4	5/8	44.02
U37-5.75-62Z	5-3/4	6-1/2	5/8	38.25
U37-6.00-56Z	6	6-3/4	9/16	53.31
U37-6.00-62Z	6	6-3/4	5/8	51.44
U37-6.25-62Z	6-1/4	7	5/8	40.56
U37-7.00-62DZ	7	7-3/4	5/8	42.63
U37-7.00-62DZR	7	7-3/4	5/8	200.43
1/2" C/S				
U50-12.00-75DZR	12	13	3/4	\$ 357.27
U50-14.00-75DZR	14	15	3/4	379.25

STYLE 850 POLYURETHANE U-SEALS



Style 850 u-seals offer excellent resistance to extrusion and abrasion. The round cross-section expander offers energized sealing from zero to 5,000 psi.



PART NUMBERS

P 125 - 00.125 - 250

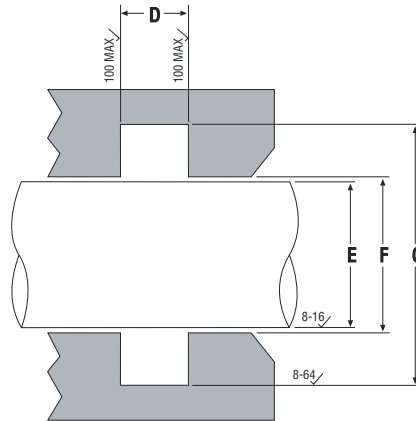
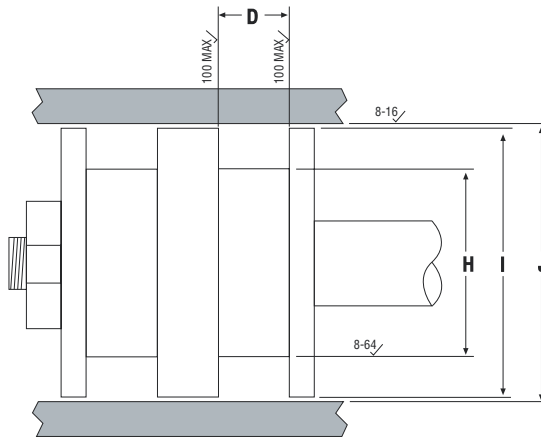
Type of Seal | Cross Section | Inside Diameter | Height

BFM = 58D DUROMETER FLUOROTREL
-65° TO +275° F

BHN = 85A DUROMETER
HYDROGENATED NITRILE
-50° to +320° F

BPM = 58D DUROMETER POLYMYTE
-65° to +275° F
-65° to +180° F IN WATER BASED FLUIDS

SEAL INFORMATION	
MATERIAL	95A URETHANE
TEMPERATURE RANGE	-40° TO +200° F
PRESSURE RANGE	0 TO 5,000 PSI
PART NUMBER	(Prefix)(CS) - (Inside Dia) - (Height)



Standard -
Height and cross section are equal, thus giving a square seal. Utilizes type "D" lip
Typical Part Number P25-02.500



Deep -
Utilizes the same "D" lip, but the seal height is greater than the cross section, thus giving a rectangular shape.
Typical Part Number P25-02.500-37D



Type B -
Same dimensions as the Deep seal. Beveled lip design provides better film breaking.
Utilizes type "B" lip.
Typical Part Number U25-02.500-37B

Part Number	A NOM. I.D.	B NOM. O.D.	C NOM. HT.	D GROOVE WIDTH	E ROD DIAMETER	F THROAT DIAMETER	G HOUSING DIAMETER	H GROOVE DIAMETER	I PISTON DIAMETER	J BORE DIAMETER	List Price
1/8" C/S											
P125-00.062	1/16	5/16	1/8	0.138 +0.015/0	0.062 +0/-0.001	0.063 +0.002/0	0.312 +0.002/0	0.062 +0/-0.002	0.311 +0/-0.001	0.312 +0.002/0	\$ 3.48
P125-00.125-250B	1/8	3/8	1/4	0.275 +0.015/0	0.125 +0/-0.001	0.126 +0.002/0	0.375 +0.002/0	0.125 +0/-0.002	0.374 +0/-0.001	0.375 +0.002/0	4.89
P125-00.187-250B	3/16	7/16	1/4	0.275 +0.015/0	0.187 +0/-0.001	0.188 +0.002/0	0.437 +0.002/0	0.187 +0/-0.002	0.436 +0/-0.001	0.437 +0.002/0	3.58
P125-00.250	1/4	1/2	1/8	0.138 +0.015/0	0.250 +0/-0.001	0.251 +0.002/0	0.500 +0.002/0	0.250 +0/-0.002	0.499 +0/-0.001	0.500 +0.002/0	3.48
P125-00.250-250B	1/4	1/2	1/4	0.275 +0.015/0	0.250 +0/-0.001	0.251 +0.002/0	0.500 +0.002/0	0.250 +0/-0.002	0.499 +0/-0.001	0.500 +0.002/0	3.68
P125-00.312-250B	5/16	9/16	1/4	0.275 +0.015/0	0.312 +0/-0.001	0.313 +0.002/0	0.562 +0.002/0	0.312 +0/-0.002	0.561 +0/-0.001	0.562 +0.002/0	3.92
P125-00.375	3/8	5/8	1/8	0.138 +0.015/0	0.375 +0/-0.001	0.376 +0.002/0	0.625 +0.002/0	0.375 +0/-0.002	0.624 +0/-0.001	0.625 +0.002/0	3.48
P125-00.375-187B	3/8	5/8	3/16	0.206 +0.015/0	0.375 +0/-0.001	0.376 +0.002/0	0.625 +0.002/0	0.375 +0/-0.002	0.624 +0/-0.001	0.625 +0.002/0	3.95
P125-00.375-250B	3/8	5/8	1/4	0.275 +0.015/0	0.375 +0/-0.001	0.376 +0.002/0	0.625 +0.002/0	0.375 +0/-0.002	0.624 +0/-0.001	0.625 +0.002/0	4.56
P125-00.500	1/2	3/4	1/8	0.138 +0.015/0	0.500 +0/-0.001	0.501 +0.002/0	0.750 +0.002/0	0.500 +0/-0.002	0.749 +0/-0.001	0.750 +0.002/0	3.48
P125-00.500-125B	1/2	3/4	1/8	0.138 +0.015/0	0.500 +0/-0.001	0.501 +0.002/0	0.750 +0.002/0	0.500 +0/-0.002	0.749 +0/-0.001	0.750 +0.002/0	4.36
P125-00.500-250B	1/2	3/4	1/4	0.275 +0.015/0	0.500 +0/-0.001	0.501 +0.002/0	0.750 +0.002/0	0.500 +0/-0.002	0.749 +0/-0.001	0.750 +0.002/0	4.04

STYLE 850 POLYURETHANE U-SEALS

U-SEALS

Part Number	A NOM. I.D.	B NOM. O.D.	C NOM. HT.	D GROOVE WIDTH	E ROD DIAMETER	F THROAT DIAMETER	G HOUSING DIAMETER	H GROOVE DIAMETER	I PISTON DIAMETER	J BORE DIAMETER	List Price
1/8" C/S											
P125-00.500-250D	1/2	3/4	1/4	0.275 +0.015/0	0.500 +0/-0.001	0.501 +0.002/0	0.750 +0.002/0	0.500 +0/-0.002	0.749 +0/-0.001	0.750 +0.002/0	\$ 4.04
P125-00.562-SQB	9/16	13/16	1/8	0.138 +0.015/0	0.562 +0/-0.001	0.563 +0.002/0	0.812 +0.002/0	0.562 +0/-0.002	0.811 +0/-0.001	0.812 +0.002/0	3.44
P125-00.625	5/8	7/8	1/8	0.138 +0.015/0	0.625 +0/-0.001	0.626 +0.002/0	0.875 +0.002/0	0.625 +0/-0.002	0.874 +0/-0.001	0.875 +0.002/0	3.56
P125-00.625-187B	5/8	7/8	3/16	0.206 +0.015/0	0.625 +0/-0.001	0.626 +0.002/0	0.875 +0.002/0	0.625 +0/-0.002	0.874 +0/-0.001	0.875 +0.002/0	4.19
P125-00.625-250B	5/8	7/8	1/4	0.275 +0.015/0	0.625 +0/-0.001	0.626 +0.002/0	0.875 +0.002/0	0.625 +0/-0.002	0.874 +0/-0.001	0.875 +0.002/0	4.19
P125-00.687	11/16	15/16	1/8	0.138 +0.015/0	0.687 +0/-0.001	0.688 +0.002/0	0.937 +0.002/0	0.687 +0/-0.002	0.936 +0/-0.001	0.937 +0.002/0	3.77
P125-00.750	3/4	1	1/8	0.138 +0.015/0	0.750 +0/-0.001	0.751 +0.002/0	1.000 +0.002/0	0.750 +0/-0.002	0.999 +0/-0.001	1.000 +0.002/0	3.68
P125-00.750-125B	3/4	1	1/8	0.138 +0.015/0	0.750 +0/-0.001	0.751 +0.002/0	1.000 +0.002/0	0.750 +0/-0.002	0.999 +0/-0.001	1.000 +0.002/0	3.68
P125-00.750-250B	3/4	1	1/4	0.275 +0.015/0	0.750 +0/-0.001	0.751 +0.002/0	1.000 +0.002/0	0.750 +0/-0.002	0.999 +0/-0.001	1.000 +0.002/0	4.33
P125-00.750-250D	3/4	1	1/4	0.275 +0.015/0	0.750 +0/-0.001	0.751 +0.002/0	1.000 +0.002/0	0.750 +0/-0.002	0.999 +0/-0.001	1.000 +0.002/0	4.33
P125-00.812	13/16	1-1/16	1/8	0.138 +0.015/0	0.812 +0/-0.001	0.813 +0.002/0	1.062 +0.002/0	0.812 +0/-0.002	1.061 +0/-0.001	1.062 +0.002/0	3.82
P125-00.812-250B	13/16	1-1/16	1/4	0.275 +0.015/0	0.812 +0/-0.001	0.813 +0.002/0	1.062 +0.002/0	0.812 +0/-0.002	1.061 +0/-0.001	1.062 +0.002/0	9.38
P125-00.875	7/8	1-1/8	1/8	0.138 +0.015/0	0.875 +0/-0.001	0.876 +0.002/0	1.125 +0.002/0	0.875 +0/-0.002	1.124 +0/-0.001	1.125 +0.002/0	3.82
P125-00.875-250B	7/8	1-1/8	1/4	0.275 +0.015/0	0.875 +0/-0.001	0.876 +0.002/0	1.125 +0.002/0	0.875 +0/-0.002	1.124 +0/-0.001	1.125 +0.002/0	4.50
P125-00.937	15/16	1-3/16	1/8	0.138 +0.015/0	0.937 +0/-0.001	0.938 +0.002/0	1.187 +0.002/0	0.937 +0/-0.002	1.186 +0/-0.001	1.187 +0.002/0	3.94
P125-01.000	1	1-1/4	1/8	0.138 +0.015/0	1.000 +0/-0.001	1.001 +0.002/0	1.250 +0.002/0	1.000 +0/-0.002	1.249 +0/-0.001	1.250 +0.002/0	3.94
P125-01.000-187B	1	1-1/4	3/16	0.206 +0.015/0	1.000 +0/-0.001	1.001 +0.002/0	1.250 +0.002/0	1.000 +0/-0.002	1.249 +0/-0.001	1.250 +0.002/0	5.98
P125-01.000-250B	1	1-1/4	1/4	0.275 +0.015/0	1.000 +0/-0.001	1.001 +0.002/0	1.250 +0.002/0	1.000 +0/-0.002	1.249 +0/-0.001	1.250 +0.002/0	4.68
P125-01.000-250D	1	1-1/4	1/4	0.275 +0.015/0	1.000 +0/-0.001	1.001 +0.002/0	1.250 +0.002/0	1.000 +0/-0.002	1.249 +0/-0.001	1.250 +0.002/0	4.68
P125-01.062-250B	1-1/16	1-5/16	1/4	0.275 +0.015/0	1.062 +0/-0.001	1.063 +0.002/0	1.312 +0.002/0	1.062 +0/-0.002	1.311 +0/-0.001	1.312 +0.002/0	4.74
P125-01.125	1-1/8	1-3/8	1/8	0.138 +0.015/0	1.125 +0/-0.001	1.126 +0.002/0	1.375 +0.002/0	1.125 +0/-0.002	1.374 +0/-0.001	1.375 +0.002/0	4.20
P125-01.125-187B	1-1/8	1-3/8	3/16	0.206 +0.015/0	1.125 +0/-0.002	1.126 +0.002/0	1.375 +0.002/0	1.125 +0/-0.002	1.374 +0/-0.002	1.375 +0.002/0	6.91
P125-01.125-250B	1-1/8	1-3/8	1/4	0.275 +0.015/0	1.125 +0/-0.001	1.126 +0.002/0	1.375 +0.002/0	1.125 +0/-0.002	1.374 +0/-0.001	1.375 +0.002/0	4.87
P125-01.187	1-3/16	1-7/16	1/8	0.138 +0.015/0	1.187 +0/-0.001	1.188 +0.002/0	1.437 +0.002/0	1.187 +0/-0.002	1.436 +0/-0.001	1.437 +0.002/0	4.43
P125-01.187-250B	1-3/16	1-7/16	1/4	0.275 +0.015/0	1.187 +0/-0.001	1.188 +0.002/0	1.437 +0.002/0	1.187 +0/-0.002	1.436 +0/-0.001	1.437 +0.002/0	5.15
P125-01.250	1-1/4	1-1/2	1/8	0.138 +0.015/0	1.250 +0/-0.001	1.251 +0.002/0	1.500 +0.002/0	1.250 +0/-0.002	1.499 +0/-0.001	1.500 +0.002/0	4.20
P125-01.250-187B	1-1/4	1-1/2	3/16	0.206 +0.015/0	1.250 +0/-0.001	1.251 +0.002/0	1.500 +0.002/0	1.250 +0/-0.002	1.499 +0/-0.001	1.500 +0.002/0	5.26
P125-01.250-250B	1-1/4	1-1/2	1/4	0.275 +0.015/0	1.250 +0/-0.001	1.251 +0.002/0	1.500 +0.002/0	1.250 +0/-0.002	1.499 +0/-0.001	1.500 +0.002/0	5.07
P125-01.375	1-3/8	1-5/8	1/8	0.138 +0.015/0	1.375 +0/-0.001	1.376 +0.002/0	1.625 +0.002/0	1.375 +0/-0.002	1.624 +0/-0.001	1.625 +0.002/0	4.50
P125-01.375-250B	1-3/8	1-5/8	1/4	0.275 +0.015/0	1.375 +0/-0.001	1.376 +0.002/0	1.625 +0.002/0	1.375 +0/-0.002	1.624 +0/-0.001	1.625 +0.002/0	5.24
P125-01.500	1-1/2	1-3/4	1/8	0.138 +0.015/0	1.500 +0/-0.001	1.501 +0.002/0	1.750 +0.002/0	1.500 +0/-0.002	1.749 +0/-0.001	1.750 +0.002/0	4.68
P125-01.500-250B	1-1/2	1-3/4	1/4	0.275 +0.015/0	1.500 +0/-0.001	1.501 +0.002/0	1.750 +0.002/0	1.500 +0/-0.002	1.749 +0/-0.001	1.750 +0.002/0	5.48
P125-01.500-250D	1-1/2	1-3/4	1/4	0.275 +0.015/0	1.500 +0/-0.001	1.501 +0.002/0	1.750 +0.002/0	1.500 +0/-0.002	1.749 +0/-0.001	1.750 +0.002/0	6.64
P125-01.625	1-5/8	1-7/8	1/8	0.138 +0.015/0	1.625 +0/-0.001	1.626 +0.002/0	1.875 +0.002/0	1.625 +0/-0.002	1.874 +0/-0.001	1.500 +0.002/0	5.00
P125-01.750	1-3/4	2	1/8	0.138 +0.015/0	1.750 +0/-0.001	1.751 +0.002/0	2.000 +0.002/0	1.750 +0/-0.002	1.999 +0/-0.001	2.000 +0.002/0	4.99
P125-01.750-250D	1-3/4	2	1/4	0.275 +0.015/0	1.750 +0/-0.001	1.751 +0.002/0	2.000 +0.002/0	1.750 +0/-0.002	1.999 +0/-0.001	2.000 +0.002/0	5.98
P125-01.875	1-7/8	2-1/8	1/8	0.138 +0.015/0	1.875 +0/-0.001	1.876 +0.002/0	2.125 +0.002/0	1.875 +0/-0.002	2.124 +0/-0.001	2.125 +0.002/0	5.34
P125-02.000	2	2-1/4	1/8	0.138 +0.015/0	2.000 +0/-0.001	2.001 +0.002/0	2.250 +0.002/0	2.000 +0/-0.002	2.249 +0/-0.001	2.250 +0.002/0	5.47
P125-02.000-250B	2	2-1/4	1/4	0.275 +0.015/0	2.000 +0/-0.001	2.001 +0.002/0	2.250 +0.002/0	2.000 +0/-0.002	2.249 +0/-0.001	2.250 +0.002/0	5.33
P125-02.000-250D	2	2-1/4	1/4	0.275 +0.015/0	2.000 +0/-0.001	2.001 +0.002/0	2.250 +0.002/0	2.000 +0/-0.002	2.249 +0/-0.001	2.250 +0.002/0	5.33

STYLE 850 POLYURETHANE U-SEALS



U-SEALS

Part Number	A NOM. I.D.	B NOM. O.D.	C NOM. HT.	D GROOVE WIDTH	E ROD DIAMETER	F THROAT DIAMETER	G HOUSING DIAMETER	H GROOVE DIAMETER	I PISTON DIAMETER	J BORE DIAMETER	List Price
1/8" C/S											
P125-02.500-250B	2-1/2	2-3/4	1/4	0.275 +0.015/0	2.500 +0/-0.001	2.501 +0.002/0	2.750 +0.002/0	2.500 +0/-0.002	2.749 +0/-0.001	2.750 +0.002/0	\$ 7.11
P125-03.000	3	3-1/4	1/8	0.138 +0.015/0	3.000 +0/-0.001	3.001 +0.002/0	3.250 +0.002/0	3.000 +0/-0.002	3.249 +0/-0.001	3.250 +0.002/0	6.85
P125-03.250	3-1/4	3-1/2	1/8	0.138 +0.015/0	3.250 +0/-0.001	3.251 +0.002/0	3.500 +0.002/0	3.250 +0/-0.002	3.499 +0/-0.001	3.500 +0.002/0	7.68
P125-03.500	3-1/2	3-3/4	1/8	0.138 +0.015/0	3.500 +0/-0.001	3.501 +0.002/0	3.750 +0.002/0	3.500 +0/-0.002	3.749 +0/-0.001	3.750 +0.002/0	9.85
P125-03.750	3-3/4	4	1/8	0.138 +0.015/0	3.750 +0/-0.001	3.751 +0.002/0	4.000 +0.002/0	3.750 +0/-0.002	3.999 +0/-0.001	4.000 +0.002/0	9.34
P125-04.500	4-1/2	4-3/4	1/8	0.138 +0.015/0	4.500 +0/-0.001	4.501 +0.002/0	4.750 +0.002/0	4.500 +0/-0.002	4.749 +0/-0.001	4.750 +0.002/0	11.85
P125-04.750	4-3/4	5	1/8	0.138 +0.015/0	4.750 +0/-0.001	4.751 +0.002/0	5.000 +0.002/0	4.750 +0/-0.002	4.999 +0/-0.001	5.000 +0.002/0	12.68
5/32" C/S											
P156-01.000	1	1-5/16	5/32	0.172 +0.015/0	1.000 +0/-0.001	1.001 +0.002/0	1.312 +0.002/0	1.000 +0/-0.002	1.311 +0/-0.001	1.312 +0.002/0	\$ 5.33
P156-01.187	1-3/16	1-1/2	5/32	0.172 +0.015/0	1.187 +0/-0.001	1.188 +0.002/0	1.500 +0.002/0	1.187 +0/-0.002	1.499 +0/-0.001	1.500 +0.002/0	4.80
P156-01.375	1-3/8	1-11/16	5/32	0.172 +0.015/0	1.375 +0/-0.001	1.376 +0.002/0	1.687 +0.002/0	1.375 +0/-0.002	1.686 +0/-0.001	1.687 +0.002/0	6.14
3/16" C/S											
P187-00.375	3/8	3/4	3/16	0.206 +0.015/0	0.375 +0/-0.002	0.376 +0.002/0	0.750 +0.002/0	0.375 +0/-0.002	0.749 +0/-0.002	0.750 +0.002/0	\$ 3.61
P187-00.500	1/2	7/8	3/16	0.206 +0.015/0	0.500 +0/-0.002	0.501 +0.002/0	0.875 +0.002/0	0.500 +0/-0.002	0.874 +0/-0.002	0.875 +0.002/0	3.79
P187-00.500-312B	1/2	7/8	5/16	0.343 +0.015/0	0.500 +0/-0.002	0.501 +0.002/0	0.875 +0.002/0	0.500 +0/-0.002	0.874 +0/-0.002	0.875 +0.002/0	3.67
P187-00.562	9/16	15/16	3/16	0.206 +0.015/0	0.562 +0/-0.002	0.563 +0.002/0	0.937 +0.002/0	0.562 +0/-0.002	0.936 +0/-0.002	0.937 +0.002/0	7.62
P187-00.625-312B	5/8	1	5/16	0.343 +0.015/0	0.625 +0/-0.002	0.626 +0.002/0	1.000 +0.002/0	0.625 +0/-0.002	0.999 +0/-0.002	1.000 +0.002/0	4.30
P187-00.750	3/4	1-1/8	3/16	0.207 +0.015/0	0.750 +0/-0.002	0.751 +0.002/0	1.125 +0.002/0	0.750 +0/-0.002	1.124 +0/-0.002	1.125 +0.002/0	4.06
P187-00.750-312B	3/4	1-1/8	5/16	0.343 +0.015/0	0.750 +0/-0.002	0.751 +0.002/0	1.125 +0.002/0	0.750 +0/-0.002	1.124 +0/-0.002	1.125 +0.002/0	4.69
P187-00.750-312D	3/4	1-1/8	5/16	0.343 +0.015/0	0.750 +0/-0.002	0.751 +0.002/0	1.125 +0.002/0	0.750 +0/-0.002	1.124 +0/-0.002	1.125 +0.002/0	4.69
P187-00.875	7/8	1-1/4	3/16	0.207 +0.015/0	0.875 +0/-0.002	0.876 +0.002/0	1.250 +0.002/0	0.875 +0/-0.002	1.249 +0/-0.002	1.250 +0.002/0	4.40
P187-00.875-312B	7/8	1-1/4	5/16	0.343 +0.015/0	0.875 +0/-0.002	0.876 +0.002/0	1.250 +0.002/0	0.875 +0/-0.002	1.249 +0/-0.002	1.250 +0.002/0	4.97
P187-00.875-375D	7/8	1-1/4	3/8	0.413 +0.015/0	0.875 +0/-0.002	0.876 +0.002/0	1.250 +0.002/0	0.875 +0/-0.002	1.249 +0/-0.002	1.250 +0.002/0	5.73
P187-00.937	15/16	1-5/16	3/16	0.206 +0.015/0	0.937 +0/-0.002	0.938 +0.002/0	1.312 +0.002/0	0.937 +0/-0.002	1.311 +0/-0.002	1.312 +0.002/0	4.51
P187-00.937-312B	15/16	1-5/16	5/16	0.343 +0.015/0	0.937 +0/-0.002	0.938 +0.002/0	1.312 +0.002/0	0.937 +0/-0.002	1.311 +0/-0.002	1.312 +0.002/0	8.37
P187-01.000	1	1-3/8	3/16	0.343 +0.015/0	1.000 +0/-0.002	1.001 +0.002/0	1.375 +0.002/0	1.000 +0/-0.002	1.374 +0/-0.002	1.375 +0.002/0	4.45
P187-01.000-287B	1	1-3/8	9/32	0.316 +0.015/0	1.000 +0/-0.002	1.001 +0.002/0	1.375 +0.002/0	1.000 +0/-0.002	1.374 +0/-0.002	1.375 +0.002/0	7.23
P187-01.000-312B	1	1-3/8	5/16	0.343 +0.015/0	1.000 +0/-0.002	1.001 +0.002/0	1.375 +0.002/0	1.000 +0/-0.002	1.374 +0/-0.002	1.375 +0.002/0	4.99
P187-01.000-312D	1	1-3/8	5/16	0.343 +0.015/0	1.000 +0/-0.002	1.001 +0.002/0	1.375 +0.002/0	1.000 +0/-0.002	1.374 +0/-0.002	1.375 +0.002/0	5.81
P187-01.125	1-1/8	1-1/2	3/16	0.206 +0.015/0	1.125 +0/-0.002	1.126 +0.002/0	1.500 +0.002/0	1.125 +0/-0.002	1.499 +0/-0.002	1.500 +0.002/0	4.68
P187-01.125-187B	1-1/8	1-1/2	3/16	0.206 +0.015/0	1.125 +0/-0.002	1.126 +0.002/0	1.500 +0.002/0	1.125 +0/-0.002	1.499 +0/-0.002	1.500 +0.002/0	4.68
P187-01.125-312B	1-1/8	1-1/2	5/16	0.343 +0.015/0	1.125 +0/-0.002	1.126 +0.002/0	1.500 +0.002/0	1.125 +0/-0.002	1.499 +0/-0.002	1.500 +0.002/0	5.23
P187-01.187	1-3/16	1-9/16	3/16	0.206 +0.015/0	1.187 +0/-0.002	1.188 +0.002/0	1.562 +0.002/0	1.187 +0/-0.002	1.561 +0/-0.002	1.562 +0.002/0	4.85
P187-01.250	1-1/4	1-5/8	3/16	0.207 +0.015/0	1.250 +0/-0.002	1.251 +0.002/0	1.625 +0.002/0	1.250 +0/-0.002	1.624 +0/-0.002	1.625 +0.002/0	5.22
P187-01.250-250B	1-1/4	1-5/8	1/4	0.275 +0.015/0	1.250 +0/-0.002	1.251 +0.002/0	1.625 +0.002/0	1.250 +0/-0.002	1.624 +0/-0.002	1.625 +0.002/0	5.64
P187-01.250-312B	1-1/4	1-5/8	5/16	0.343 +0.015/0	1.250 +0/-0.002	1.251 +0.002/0	1.625 +0.002/0	1.250 +0/-0.002	1.624 +0/-0.002	1.625 +0.002/0	5.36
P187-01.250-312D	1-1/4	1-5/8	5/16	0.343 +0.015/0	1.250 +0/-0.002	1.251 +0.002/0	1.625 +0.002/0	1.250 +0/-0.002	1.624 +0/-0.002	1.625 +0.002/0	6.90
P187-01.250-375B	1-1/4	1-5/8	3/8	0.413 +0.015/0	1.250 +0/-0.002	1.251 +0.002/0	1.625 +0.002/0	1.250 +0/-0.002	1.624 +0/-0.002	1.625 +0.002/0	5.56
P187-01.312	1-5/16	1-11/16	3/16	0.205 +0.015/0	1.312 +0/-0.002	1.313 +0.002/0	1.687 +0.002/0	1.312 +0/-0.002	1.686 +0/-0.002	1.687 +0.002/0	5.75
P187-01.312-312B	1-5/16	1-11/16	5/16	0.343 +0.015/0	1.312 +0/-0.002	1.313 +0.002/0	1.687 +0.002/0	1.312 +0/-0.002	1.686 +0/-0.002	1.687 +0.002/0	5.51



STYLE 850 POLYURETHANE U-SEALS

U-SEALS

Part Number	A NOM. I.D.	B NOM. O.D.	C NOM. HT.	D GROOVE WIDTH	E ROD DIAMETER	F THROAT DIAMETER	G HOUSING DIAMETER	H GROOVE DIAMETER	I PISTON DIAMETER	J BORE DIAMETER	List Price
3/16" C/S											
P187-01.375	1-3/8	1-3/4	3-1/6	0.206 +0.015/0	1.375 +0/-0.002	1.376 +0.002/0	1.750 +0.002/0	1.375 +0/-0.002	1.749 +0/-0.002	1.750 +0.002/0	\$ 5.07
P187-01.375-312B	1-3/8	1-3/4	5/16	0.343 +0.015/0	1.375 +0/-0.002	1.376 +0.002/0	1.750 +0.002/0	1.375 +0/-0.002	1.749 +0/-0.002	1.750 +0.002/0	5.68
P187-01.375-312D	1-3/8	1-3/4	5/16	0.343 +0.015/0	1.375 +0/-0.002	1.376 +0.002/0	1.750 +0.002/0	1.375 +0/-0.002	1.749 +0/-0.002	1.750 +0.002/0	6.90
P187-01.500	1-1/2	1-7/8	3/16	0.206 +0.015/0	1.500 +0/-0.002	1.501 +0.002/0	1.875 +0.002/0	1.500 +0/-0.002	1.874 +0/-0.002	1.875 +0.002/0	5.20
P187-01.500-187B	1-1/2	1-7/8	3/16	0.206 +0.015/0	1.500 +0/-0.002	1.501 +0.002/0	1.875 +0.002/0	1.500 +0/-0.002	1.874 +0/-0.002	1.875 +0.002/0	5.20
P187-01.500-312B	1-1/2	1-7/8	5/16	0.206 +0.015/0	1.500 +0/-0.002	1.501 +0.002/0	1.875 +0.002/0	1.500 +0/-0.002	1.874 +0/-0.002	1.875 +0.002/0	6.62
P187-01.500-375B	1-1/2	1-7/8	3/8	0.413 +0.015/0	1.500 +0/-0.002	1.501 +0.002/0	1.875 +0.002/0	1.500 +0/-0.002	1.874 +0/-0.002	1.875 +0.002/0	5.77
P187-01.500-375BP	1-1/2	1-7/8	3/8	0.413 +0.015/0	1.500 +0/-0.002	1.501 +0.002/0	1.875 +0.002/0	1.500 +0/-0.002	1.874 +0/-0.002	1.875 +0.002/0	18.15
P187-01.562	1-9/16	1-15/16	3/16	0.206 +0.015/0	1.562 +0/-0.002	1.563 +0.002/0	1.937 +0.002/0	1.562 +0/-0.002	1.936 +0/-0.002	1.937 +0.002/0	13.13
P187-01.625	1-5/8	2	3/16	0.206 +0.015/0	1.625 +0/-0.002	1.626 +0.002/0	2.000 +0.002/0	1.625 +0/-0.002	1.999 +0/-0.002	2.000 +0.002/0	5.42
P187-01.625-250D	1-5/8	2	1/4	0.275 +0.015/0	1.625 +0/-0.002	1.626 +0.002/0	2.000 +0.002/0	1.625 +0/-0.002	1.999 +0/-0.002	2.000 +0.002/0	12.29
P187-01.625-312B	1-5/8	2	5/16	0.343 +0.015/0	1.625 +0/-0.002	1.626 +0.002/0	2.000 +0.002/0	1.625 +0/-0.002	1.999 +0/-0.002	2.000 +0.002/0	6.44
P187-01.625-375B	1-5/8	2	3/8	0.413 +0.015/0	1.625 +0/-0.002	1.626 +0.002/0	2.000 +0.002/0	1.625 +0/-0.002	1.999 +0/-0.002	2.000 +0.002/0	6.14
P187-01.625-375D	1-5/8	2	3/8	0.413 +0.015/0	1.625 +0/-0.002	1.626 +0.002/0	2.000 +0.002/0	1.625 +0/-0.002	1.999 +0/-0.002	2.000 +0.002/0	10.04
P187-01.750	1-3/4	2-1/8	3/16	0.206 +0.015/0	1.750 +0/-0.001	1.751 +0.002/0	2.125 +0.002/0	1.750 +0/-0.002	2.124 +0/-0.002	2.125 +0.002/0	5.53
P187-01.750-230B	1-3/4	2-1/8	.230	0.253 +0.015/0	1.750 +0/-0.002	1.751 +0.002/0	2.125 +0.002/0	1.750 +0/-0.002	2.124 +0/-0.002	2.125 +0.002/0	6.51
P187-01.750-250D	1-3/4	2-1/8	1/4	0.275 +0.015/0	1.750 +0/-0.002	1.751 +0.002/0	2.125 +0.002/0	1.750 +0/-0.002	2.124 +0/-0.002	2.125 +0.002/0	12.78
P187-01.750-312B	1-3/4	2-1/8	5/16	0.343 +0.015/0	1.750 +0/-0.002	1.751 +0.002/0	2.125 +0.002/0	1.750 +0/-0.002	2.124 +0/-0.002	2.125 +0.002/0	6.51
P187-01.750-375B	1-3/4	2-1/8	3/8	0.413 +0.015/0	1.750 +0/-0.002	1.751 +0.002/0	2.125 +0.002/0	1.750 +0/-0.002	2.124 +0/-0.002	2.125 +0.002/0	6.51
P187-01.750-375BC	1-3/4	2-1/8	3/8	0.413 +0.015/0	1.750 +0/-0.002	1.751 +0.002/0	2.125 +0.002/0	1.750 +0/-0.002	2.124 +0/-0.002	2.125 +0.002/0	49.37
P187-01.875	1-7/8	2-1/4	3/16	0.206 +0.015/0	1.875 +0/-0.002	1.876 +0.002/0	2.250 +0.002/0	1.875 +0/-0.002	2.249 +0/-0.002	2.250 +0.002/0	9.09
P187-01.875-375B	1-7/8	2-1/4	3/8	0.413 +0.015/0	1.875 +0/-0.002	1.876 +0.002/0	2.250 +0.002/0	1.875 +0/-0.002	2.249 +0/-0.002	2.250 +0.002/0	6.89
P187-01.875-375D	1-7/8	2-1/4	3/8	0.413 +0.015/0	1.875 +0/-0.002	1.876 +0.002/0	2.250 +0.002/0	1.875 +0/-0.002	2.249 +0/-0.002	2.250 +0.002/0	7.23
P187-02.000	2	2-3/8	3/16	0.206 +0.015/0	2.000 +0/-0.002	2.001 +0.002/0	2.375 +0.002/0	2.000 +0/-0.002	2.374 +0/-0.002	2.375 +0.002/0	7.25
P187-02.000-230B	2	2-3/8	.230	0.253 +0.015/0	2.000 +0/-0.002	2.001 +0.002/0	2.375 +0.002/0	2.000 +0/-0.002	2.374 +0/-0.002	2.375 +0.002/0	7.25
P187-02.000-250B	2	2-3/8	1/4	0.275 +0.015/0	2.000 +0/-0.002	2.001 +0.002/0	2.375 +0.002/0	2.000 +0/-0.002	2.374 +0/-0.002	2.375 +0.002/0	6.64
P187-02.000-275B	2	2-3/8	17/64	0.303 +0.015/0	2.000 +0/-0.002	2.001 +0.002/0	2.375 +0.002/0	2.000 +0/-0.002	2.374 +0/-0.002	2.375 +0.002/0	8.46
P187-02.000-312B	2	2-3/8	5/16	0.343 +0.015/0	2.000 +0/-0.002	2.001 +0.002/0	2.375 +0.002/0	2.000 +0/-0.002	2.374 +0/-0.002	2.375 +0.002/0	7.25
P187-02.000-375B	2	2-3/8	3/8	0.413 +0.015/0	2.000 +0/-0.002	2.001 +0.002/0	2.375 +0.002/0	2.000 +0/-0.002	2.374 +0/-0.002	2.375 +0.002/0	7.25
P187-02.125	2-1/8	2-1/2	3/16	0.206 +0.015/0	2.125 +0/-0.002	2.126 +0.002/0	2.500 +0.002/0	2.125 +0/-0.002	2.499 +0/-0.002	2.500 +0.002/0	5.94
P187-02.125-187B	2-1/8	2-1/2	3/16	0.206 +0.015/0	2.125 +0/-0.002	2.126 +0.002/0	2.500 +0.002/0	2.125 +0/-0.002	2.499 +0/-0.002	2.500 +0.002/0	5.94
P187-02.125-312D	2-1/8	2-1/2	5/16	0.343 +0.015/0	2.125 +0/-0.002	2.126 +0.002/0	2.500 +0.002/0	2.125 +0/-0.002	2.499 +0/-0.002	2.500 +0.002/0	11.45
P187-02.125-375B	2-1/8	2-1/2	3/8	0.413 +0.015/0	2.125 +0/-0.002	2.126 +0.002/0	2.500 +0.002/0	2.125 +0/-0.002	2.499 +0/-0.002	2.500 +0.002/0	7.49
P187-02.125-375D	2-1/8	2-1/2	3/8	0.413 +0.015/0	2.125 +0/-0.002	2.126 +0.002/0	2.500 +0.002/0	2.125 +0/-0.002	2.499 +0/-0.002	2.500 +0.002/0	7.33
P187-02.250	2-1/4	2-5/8	3/16	0.343 +0.015/0	2.250 +0/-0.002	2.251 +0.002/0	2.625 +0.002/0	2.250 +0/-0.002	2.624 +0/-0.002	2.625 +0.002/0	10.23
P187-02.250-375B	2-1/4	2-5/8	3/8	0.413 +0.015/0	2.250 +0/-0.002	2.251 +0.002/0	2.625 +0.002/0	2.250 +0/-0.002	2.624 +0/-0.002	2.625 +0.002/0	8.11
P187-02.250-375D	2-1/4	2-5/8	3/8	0.413 +0.015/0	2.250 +0/-0.002	2.251 +0.002/0	2.625 +0.002/0	2.250 +0/-0.002	2.624 +0/-0.002	2.625 +0.002/0	8.11
P187-02.375	2-3/8	2-3/4	3/16	0.206 +0.015/0	2.375 +0/-0.002	2.376 +0.002/0	2.750 +0.002/0	2.375 +0/-0.002	2.749 +0/-0.002	2.750 +0.002/0	6.95
P187-02.375-375B	2-3/8	2-3/4	3/8	0.413 +0.015/0	2.375 +0/-0.002	2.376 +0.002/0	2.750 +0.002/0	2.375 +0/-0.002	2.749 +0/-0.002	2.750 +0.002/0	8.80
P187-02.500	2-1/2	2-7/8	3/16	0.206 +0.015/0	2.500 +0/-0.002	2.501 +0.002/0	2.875 +0.002/0	2.500 +0/-0.002	2.874 +0/-0.002	2.875 +0.002/0	10.67

STYLE 850 POLYURETHANE U-SEALS



Part Number	A NOM. I.D.	B NOM. O.D.	C NOM. HT.	D GROOVE WIDTH	E ROD DIAMETER	F THROAT DIAMETER	G HOUSING DIAMETER	H GROOVE DIAMETER	I PISTON DIAMETER	J BORE DIAMETER	List Price
3/16" C/S											
P187-02.500-250B	2-1/2	2-7/8	1/4	0.275 +0.015/0	2.500 +0/-0.002	2.501 +0.002/0	2.875 +0.002/0	2.500 +0/-0.002	2.874 +0/-0.002	2.875 +0.002/0	\$ 11.74
P187-02.500-375B	2-1/2	2-7/8	3/8	0.413 +0.015/0	2.500 +0/-0.002	2.501 +0.002/0	2.875 +0.002/0	2.500 +0/-0.002	2.874 +0/-0.002	2.875 +0.002/0	8.73
P187-02.500-375BPM	2-1/2	2-7/8	3/8	0.413 +0.015/0	2.500 +0/-0.002	2.501 +0.002/0	2.875 +0.002/0	2.500 +0/-0.002	2.874 +0/-0.002	2.875 +0.002/0	15.59
P187-02.500-375D	2-1/2	2-7/8	3/8	0.413 +0.015/0	2.500 +0/-0.002	2.501 +0.002/0	2.875 +0.002/0	2.500 +0/-0.002	2.874 +0/-0.002	2.875 +0.002/0	8.73
P187-02.625	2-5/8	3	3/16	0.206 +0.015/0	2.625 +0/-0.002	2.626 +0.002/0	3.000 +0.002/0	2.625 +0/-0.002	2.999 +0/-0.002	3.000 +0.002/0	6.53
P187-02.625-375B	2-5/8	3	3/8	0.413 +0.015/0	2.625 +0/-0.002	2.626 +0.002/0	3.000 +0.002/0	2.625 +0/-0.002	2.999 +0/-0.002	3.000 +0.002/0	9.08
P187-02.625-375D	2-5/8	3	3/8	0.413 +0.015/0	2.625 +0/-0.002	2.626 +0.002/0	3.000 +0.002/0	2.625 +0/-0.002	2.999 +0/-0.002	3.000 +0.002/0	9.08
P187-02.750	2-3/4	3-1/8	3/16	0.206 +0.015/0	2.750 +0/-0.002	2.751 +0.002/0	3.125 +0.002/0	2.750 +0/-0.002	3.124 +0/-0.002	3.125 +0.002/0	11.82
P187-02.750-187B	2-3/4	3-1/8	3/16	0.206 +0.015/0	2.750 +0/-0.002	2.751 +0.002/0	3.125 +0.002/0	2.750 +0/-0.002	3.124 +0/-0.002	3.125 +0.002/0	7.08
P187-02.750-375B	2-3/4	3-1/8	3/8	0.413 +0.015/0	2.750 +0/-0.002	2.751 +0.002/0	3.125 +0.002/0	2.750 +0/-0.002	3.124 +0/-0.002	3.125 +0.002/0	9.50
P187-02.750-375D	2-3/4	3-1/8	3/8	0.413 +0.015/0	2.750 +0/-0.002	2.751 +0.002/0	3.125 +0.002/0	2.750 +0/-0.002	3.124 +0/-0.002	3.125 +0.002/0	9.50
P187-02.875	2-7/8	3-1/4	3/16	0.206 +0.015/0	2.875 +0/-0.002	2.876 +0.002/0	3.250 +0.002/0	2.875 +0/-0.002	3.249 +0/-0.002	3.250 +0.002/0	7.03
P187-03.000	3	3-3/8	3/16	0.206 +0.015/0	3.000 +0/-0.002	3.001 +0.002/0	3.375 +0.002/0	3.000 +0/-0.002	3.374 +0/-0.002	3.375 +0.002/0	7.23
P187-03.000-375B	3	3-3/8	3/8	0.413 +0.015/0	3.000 +0/-0.002	3.001 +0.002/0	3.375 +0.002/0	3.000 +0/-0.002	3.374 +0/-0.002	3.375 +0.002/0	10.56
P187-03.125	3-1/8	3-1/2	3/16	0.206 +0.015/0	3.125 +0/-0.002	3.126 +0.002/0	3.500 +0.002/0	3.125 +0/-0.002	3.499 +0/-0.002	3.500 +0.002/0	7.93
P187-03.125-187B	3-1/8	3-1/2	3/16	0.206 +0.015/0	3.125 +0/-0.002	3.126 +0.002/0	3.500 +0.002/0	3.125 +0/-0.002	3.499 +0/-0.002	3.500 +0.002/0	11.29
P187-03.125-375B	3-1/8	3-1/2	3/8	0.413 +0.015/0	3.125 +0/-0.002	3.126 +0.002/0	3.500 +0.002/0	3.125 +0/-0.002	3.499 +0/-0.002	3.500 +0.002/0	10.74
P187-03.250	3-1/4	3-5/8	3/16	0.206 +0.015/0	3.250 +0/-0.002	3.251 +0.002/0	3.625 +0.002/0	3.250 +0/-0.002	3.624 +0/-0.002	3.625 +0.002/0	8.52
P187-03.375	3-3/8	3-3/4	3/16	0.206 +0.015/0	3.375 +0/-0.002	3.376 +0.002/0	3.750 +0.002/0	3.375 +0/-0.002	3.749 +0/-0.002	3.750 +0.002/0	9.02
P187-03.375-187B	3-3/8	3-3/4	3/16	0.206 +0.015/0	3.375 +0/-0.002	3.376 +0.002/0	3.750 +0.002/0	3.375 +0/-0.002	3.749 +0/-0.002	3.750 +0.002/0	17.59
P187-03.375-375B	3-3/8	3-3/4	3/8	0.413 +0.015/0	3.375 +0/-0.002	3.376 +0.002/0	3.750 +0.002/0	3.375 +0/-0.002	3.749 +0/-0.002	3.750 +0.002/0	12.54
P187-03.500	3-1/2	3-7/8	3/16	0.206 +0.015/0	3.500 +0/-0.002	3.501 +0.002/0	3.875 +0.002/0	3.500 +0/-0.002	3.874 +0/-0.002	3.875 +0.002/0	9.43
P187-03.500-375B	3-1/2	3-7/8	3/8	0.413 +0.015/0	3.500 +0/-0.002	3.501 +0.002/0	3.875 +0.002/0	3.500 +0/-0.002	3.874 +0/-0.002	3.875 +0.002/0	12.59
P187-03.500-375D	3-1/2	3-7/8	3/8	0.413 +0.015/0	3.500 +0/-0.002	3.501 +0.002/0	3.875 +0.002/0	3.500 +0/-0.002	3.874 +0/-0.002	3.875 +0.002/0	12.59
P187-03.625	3-5/8	4	3/16	0.206 +0.015/0	3.625 +0/-0.002	3.626 +0.002/0	4.000 +0.002/0	3.625 +0/-0.002	3.999 +0/-0.002	4.000 +0.002/0	9.50
P187-03.625-375B	3-5/8	4	3/8	0.413 +0.015/0	3.625 +0/-0.002	3.626 +0.002/0	4.000 +0.002/0	3.625 +0/-0.002	3.999 +0/-0.002	4.000 +0.002/0	13.89
P187-03.625-375D	3-5/8	4	3/8	0.413 +0.015/0	3.625 +0/-0.002	3.626 +0.002/0	4.000 +0.002/0	3.625 +0/-0.002	3.999 +0/-0.002	4.000 +0.002/0	13.89
P187-03.750	3-3/4	4-1/8	3/16	0.206 +0.015/0	3.750 +0/-0.002	3.751 +0.002/0	4.125 +0.002/0	3.750 +0/-0.002	4.124 +0/-0.002	4.125 +0.002/0	10.38
P187-03.750-375B	3-3/4	4-1/8	3/8	0.413 +0.015/0	3.750 +0/-0.002	3.751 +0.002/0	4.125 +0.002/0	3.750 +0/-0.002	4.124 +0/-0.002	4.125 +0.002/0	14.71
P187-04.000-375B	4	4-3/8	3/8	0.413 +0.015/0	4.000 +0/-0.002	4.001 +0.002/0	4.375 +0.002/0	4.000 +0/-0.002	4.374 +0/-0.002	4.375 +0.002/0	15.47
P187-04.000-375D	4	4-3/8	3/8	0.413 +0.015/0	4.000 +0/-0.002	4.001 +0.002/0	4.375 +0.002/0	4.000 +0/-0.002	4.374 +0/-0.002	4.375 +0.002/0	15.47
P187-04.125	4-1/8	4-1/2	3/16	0.206 +0.015/0	4.125 +0/-0.002	4.126 +0.002/0	4.500 +0.002/0	4.125 +0/-0.002	4.499 +0/-0.002	4.500 +0.002/0	11.98
P187-04.250-375B	4-1/4	4-5/8	3/8	0.413 +0.015/0	4.250 +0/-0.002	4.251 +0.002/0	4.625 +0.002/0	4.250 +0/-0.002	4.624 +0/-0.002	4.625 +0.002/0	16.79
P187-04.250-375D	4-1/4	4-5/8	3/8	0.413 +0.015/0	4.250 +0/-0.002	4.251 +0.002/0	4.625 +0.002/0	4.250 +0/-0.002	4.624 +0/-0.002	4.625 +0.002/0	16.79
P187-04.375-375D	4-3/8	4-3/4	3/8	0.413 +0.015/0	4.375 +0/-0.002	4.376 +0.002/0	4.750 +0.002/0	4.375 +0/-0.002	4.749 +0/-0.002	4.750 +0.002/0	18.95
P187-04.500	4-1/2	4-7/8	3/16	0.206 +0.015/0	4.500 +0/-0.002	4.501 +0.002/0	4.875 +0.002/0	4.500 +0/-0.002	4.874 +0/-0.002	4.875 +0.002/0	12.69
P187-04.750	4-3/4	5-1/8	3/16	0.206 +0.015/0	4.750 +0/-0.002	4.751 +0.002/0	5.125 +0.002/0	4.750 +0/-0.002	5.124 +0/-0.002	5.125 +0.002/0	14.64
P187-05.500-375B	5-1/2	5-7/8	3/8	0.413 +0.015/0	5.500 +0/-0.002	5.501 +0.002/0	5.875 +0.002/0	5.500 +0/-0.002	5.874 +0/-0.002	5.875 +0.002/0	23.06
P187-05.875	5-7/8	6-1/4	3/16	0.206 +0.015/0	5.875 +0/-0.002	5.876 +0.002/0	6.250 +0.002/0	5.875 +0/-0.002	6.249 +0/-0.002	6.250 +0.002/0	19.43

STYLE 850 POLYURETHANE U-SEALS

U-SEALS

Part Number	A NOM. I.D.	B NOM. O.D.	C NOM. HT.	D GROOVE WIDTH	E ROD DIAMETER	F THROAT DIAMETER	G HOUSING DIAMETER	H GROOVE DIAMETER	I PISTON DIAMETER	J BORE DIAMETER	List Price
7/32" C/S											
P218-02.500	2-1/2	2-15/16	7/32	0.240 +0.015/0	2.500 +0/-0.002	2.501 +0.002/0	2.937 +0.002/0	2.500 +0/-0.002	2.936 +0/-0.002	2.937 +0.002/0	\$ 12.09
P218-02.562	2-9/16	3	7/32	0.240 +0.015/0	2.562 +0/-0.002	2.563 +0.002/0	3.000 +0.002/0	2.562 +0/-0.002	2.999 +0/-0.002	3.000 +0.002/0	12.94
1/4" C/S											
P250-00.500	1/2	1	1/4	0.275 +0.015/0	0.500 +0/-0.002	0.501 +0.003/0	1.000 +0.003/0	0.500 +0/-0.003	0.999 +0/-0.002	1.000 +0.003/0	\$ 4.97
P250-00.500-375B	1/2	1	3/8	0.413 +0.015/0	0.500 +0/-0.002	0.501 +0.003/0	1.000 +0.003/0	0.500 +0/-0.003	0.999 +0/-0.002	1.000 +0.003/0	5.16
P250-00.500-375D	1/2	1	3/8	0.413 +0.015/0	0.500 +0/-0.002	0.501 +0.003/0	1.000 +0.003/0	0.500 +0/-0.003	0.999 +0/-0.002	1.000 +0.003/0	6.34
P250-00.625	5/8	1-1/8	1/4	0.275 +0.015/0	0.625 +0/-0.002	0.626 +0.003/0	1.125 +0.003/0	0.625 +0/-0.003	1.124 +0/-0.002	1.125 +0.003/0	4.97
P250-00.625-375B	5/8	1-1/8	3/8	0.413 +0.015/0	0.625 +0/-0.002	0.626 +0.003/0	1.125 +0.003/0	0.625 +0/-0.003	1.124 +0/-0.002	1.125 +0.003/0	6.95
P250-00.687	11/16	1-3/16	1/4	0.275 +0.015/0	0.687 +0/-0.002	0.688 +0.003/0	1.187 +0.003/0	0.687 +0/-0.003	1.186 +0/-0.002	1.187 +0.003/0	6.73
P250-00.750	3/4	1-1/4	1/4	0.275 +0.015/0	0.750 +0/-0.002	0.751 +0.003/0	1.250 +0.003/0	0.750 +0/-0.003	1.249 +0/-0.002	1.250 +0.003/0	4.70
P250-00.750-375B	3/4	1-1/4	3/8	0.413 +0.015/0	0.750 +0/-0.002	0.751 +0.003/0	1.250 +0.003/0	0.750 +0/-0.003	1.249 +0/-0.002	1.250 +0.003/0	5.36
P250-00.875-375B	7/8	1-3/8	3/8	0.413 +0.015/0	0.875 +0/-0.002	0.876 +0.003/0	1.375 +0.003/0	0.875 +0/-0.003	1.374 +0/-0.002	1.375 +0.003/0	5.57
P250-00.937	15/16	1-7/16	1/4	0.275 +0.015/0	0.937 +0/-0.002	0.938 +0.003/0	1.437 +0.003/0	0.937 +0/-0.003	1.436 +0/-0.002	1.437 +0.003/0	6.89
P250-01.000	1	1-1/2	1/4	0.275 +0.015/0	1.000 +0/-0.002	1.001 +0.003/0	1.500 +0.003/0	1.000 +0/-0.003	1.499 +0/-0.002	1.500 +0.003/0	4.86
P250-01.000-375B	1	1-1/2	3/8	0.413 +0.015/0	1.000 +0/-0.002	1.001 +0.003/0	1.500 +0.003/0	1.000 +0/-0.003	1.499 +0/-0.002	1.500 +0.003/0	5.40
P250-01.125	1-1/8	1-5/8	1/4	0.275 +0.015/0	1.125 +0/-0.002	1.126 +0.003/0	1.625 +0.003/0	1.125 +0/-0.003	1.624 +0/-0.002	1.625 +0.003/0	5.26
P250-01.125-375B	1-1/8	1-5/8	3/8	0.413 +0.015/0	1.125 +0/-0.002	1.126 +0.003/0	1.625 +0.003/0	1.125 +0/-0.003	1.624 +0/-0.002	1.625 +0.003/0	5.83
P250-01.187	1-3/16	1-11/16	1/4	0.275 +0.015/0	1.187 +0/-0.002	1.188 +0.003/0	1.687 +0.003/0	1.187 +0/-0.003	1.686 +0/-0.002	1.687 +0.003/0	5.33
P250-01.250	1-1/4	1-3/4	1/4	0.275 +0.015/0	1.250 +0/-0.002	1.251 +0.003/0	1.750 +0.003/0	1.250 +0/-0.003	1.749 +0/-0.002	1.750 +0.003/0	5.16
P250-01.250-375B	1-1/4	1-3/4	3/8	0.413 +0.015/0	1.250 +0/-0.002	1.251 +0.003/0	1.750 +0.003/0	1.250 +0/-0.003	1.749 +0/-0.002	1.750 +0.003/0	5.85
P250-01.375	1-3/8	1-7/8	1/4	0.275 +0.015/0	1.375 +0/-0.002	1.376 +0.002/0	1.875 +0.002/0	1.375 +0/-0.002	1.874 +0/-0.002	1.875 +0.002/0	5.83
P250-01.375-375B	1-3/8	1-7/8	3/8	0.413 +0.015/0	1.375 +0/-0.002	1.376 +0.003/0	1.875 +0.003/0	1.375 +0/-0.003	1.874 +0/-0.002	1.875 +0.003/0	6.04
P250-01.500	1-1/2	2	1/4	0.275 +0.015/0	1.500 +0/-0.002	1.501 +0.002/0	2.000 +0.002/0	1.500 +0/-0.002	1.999 +0/-0.002	2.000 +0.002/0	5.87
P250-01.500-250B	1 1-2	2	1/4	0.275 +0.015/0	1.500 +0/-0.002	1.501 +0.003/0	2.000 +0.003/0	1.500 +0/-0.003	1.999 +0/-0.002	2.000 +0.003/0	5.96
P250-01.500-375B	1-1/2	2	3/8	0.413 +0.015/0	1.500 +0/-0.002	1.501 +0.003/0	2.000 +0.003/0	1.500 +0/-0.003	1.999 +0/-0.002	2.000 +0.003/0	6.64
P250-01.500-375D	1-1/2	2	3/8	0.413 +0.015/0	1.500 +0/-0.002	1.501 +0.003/0	2.000 +0.003/0	1.500 +0/-0.003	1.999 +0/-0.002	2.000 +0.003/0	6.64
P250-01.625	1-5/8	2-1/8	1/4	0.275 +0.015/0	1.625 +0/-0.002	1.626 +0.003/0	2.125 +0.003/0	1.625 +0/-0.003	2.124 +0/-0.002	2.125 +0.003/0	6.52
P250-01.625-375B	1-5/8	2-1/8	3/8	0.413 +0.015/0	1.625 +0/-0.002	1.626 +0.003/0	2.125 +0.003/0	1.625 +0/-0.003	2.124 +0/-0.002	2.125 +0.003/0	7.23
P250-01.750	1-3/4	2-1/4	1/4	0.275 +0.015/0	1.750 +0/-0.002	1.751 +0.003/0	2.250 +0.003/0	1.750 +0/-0.003	2.249 +0/-0.002	2.250 +0.003/0	6.82
P250-01.750-375B	1-3/4	2-1/4	3/8	0.413 +0.015/0	1.750 +0/-0.002	1.751 +0.003/0	2.250 +0.003/0	1.750 +0/-0.003	2.249 +0/-0.002	2.250 +0.003/0	7.26
P250-01.875	1-7/8	2-3/8	1/4	0.275 +0.015/0	1.875 +0/-0.002	1.876 +0.003/0	2.375 +0.003/0	1.875 +0/-0.003	2.374 +0/-0.002	2.375 +0.003/0	7.23
P250-01.875-375B	1-7/8	2-3/8	3/8	0.413 +0.015/0	1.875 +0/-0.002	1.876 +0.003/0	2.375 +0.003/0	1.875 +0/-0.003	2.374 +0/-0.002	2.375 +0.003/0	7.97
P250-02.000	2	2-1/2	1/4	0.275 +0.015/0	2.000 +0/-0.002	2.001 +0.003/0	2.500 +0.003/0	2.000 +0/-0.003	2.499 +0/-0.002	2.500 +0.003/0	7.26
P250-02.000-250B	2	2-1/2	1/4	0.275 +0.015/0	2.000 +0/-0.002	2.001 +0.003/0	2.500 +0.003/0	2.000 +0/-0.003	2.499 +0/-0.002	2.500 +0.003/0	7.26
P250-02.000-375B	2	2-1/2	3/8	0.413 +0.015/0	2.000 +0/-0.002	2.001 +0.003/0	2.500 +0.003/0	2.000 +0/-0.003	2.499 +0/-0.002	2.500 +0.003/0	7.95
P250-02.000-375D	2	2-1/2	3/8	0.413 +0.015/0	2.000 +0/-0.002	2.001 +0.003/0	2.500 +0.003/0	2.000 +0/-0.003	2.499 +0/-0.002	2.500 +0.003/0	7.95
P250-02.125-375B	2-1/8	2-5/8	3/8	0.413 +0.015/0	2.125 +0/-0.002	2.126 +0.003/0	2.625 +0.003/0	2.125 +0/-0.003	2.624 +0/-0.002	2.625 +0.003/0	8.84
P250-02.250	2-1/4	2-3/4	1/4	0.275 +0.015/0	2.250 +0/-0.002	2.251 +0.003/0	2.750 +0.003/0	2.250 +0/-0.003	2.749 +0/-0.002	2.750 +0.003/0	8.35
P250-02.250-375B	2-1/4	2-3/4	3/8	0.413 +0.015/0	2.250 +0/-0.002	2.251 +0.003/0	2.750 +0.003/0	2.250 +0/-0.003	2.749 +0/-0.002	2.750 +0.003/0	8.93
P250-02.250-375D	2-1/4	2-3/4	3/8	0.413 +0.015/0	2.250 +0/-0.002	2.251 +0.003/0	2.750 +0.003/0	2.250 +0/-0.003	2.749 +0/-0.002	2.750 +0.003/0	10.26

STYLE 850 POLYURETHANE U-SEALS



U-SEALS

Part Number	A NOM. I.D.	B NOM. O.D.	C NOM. HT.	D GROOVE WIDTH	E ROD DIAMETER	F THROAT DIAMETER	G HOUSING DIAMETER	H GROOVE DIAMETER	I PISTON DIAMETER	J BORE DIAMETER	List Price
1/4" C/S											
P250-02.375	2-3/8	2-7/8	1/4	0.275 +0.015/0	2.375 +0/-0.002	2.376 +0.003/0	2.875 +0.003/0	2.375 +0/-0.003	2.874 +0/-0.002	2.875 +0.003/0	\$ 8.83
P250-02.375-375B	2-3/8	2-7/8	3/8	0.413 +0.015/0	2.375 +0/-0.002	2.376 +0.003/0	2.875 +0.003/0	2.375 +0/-0.003	2.874 +0/-0.002	2.875 +0.003/0	9.81
P250-02.500	2-1/2	3	1/4	0.275 +0.015/0	2.500 +0/-0.002	2.501 +0.003/0	3.000 +0.003/0	2.500 +0/-0.003	2.999 +0/-0.002	3.000 +0.003/0	8.77
P250-02.500-375B	2-1/2	3	3/8	0.413 +0.015/0	2.500 +0/-0.002	2.501 +0.003/0	3.000 +0.003/0	2.500 +0/-0.003	2.999 +0/-0.002	3.000 +0.003/0	9.82
P250-02.500-375D	2-1/2	3	3/8	0.413 +0.015/0	2.500 +0/-0.002	2.501 +0.003/0	3.000 +0.003/0	2.500 +0/-0.003	2.999 +0/-0.002	3.000 +0.003/0	9.82
P250-02.625-375B	2-5/8	3-1/8	3/8	0.413 +0.015/0	2.625 +0/-0.002	2.626 +0.003/0	3.125 +0.003/0	2.625 +0/-0.003	3.124 +0/-0.002	3.125 +0.003/0	10.23
P250-02.750	2-3/4	3-1/4	1/4	0.275 +0.015/0	2.750 +0/-0.002	2.751 +0.003/0	3.250 +0.003/0	2.750 +0/-0.003	3.249 +0/-0.002	3.250 +0.003/0	9.53
P250-02.750-375B	2-3/4	3-1/4	3/8	0.413 +0.015/0	2.750 +0/-0.002	2.751 +0.003/0	3.250 +0.003/0	2.750 +0/-0.003	3.249 +0/-0.002	3.250 +0.003/0	10.72
P250-02.750-375BPM	2-3/4	3-1/4	3/8	0.413 +0.015/0	2.750 +0/-0.002	2.751 +0.003/0	3.250 +0.003/0	2.750 +0/-0.003	3.249 +0/-0.002	3.250 +0.003/0	23.62
P250-02.750-375D	2-3/4	3-1/4	3/8	0.413 +0.015/0	2.750 +0/-0.002	2.751 +0.003/0	3.250 +0.003/0	2.750 +0/-0.003	3.249 +0/-0.002	3.250 +0.003/0	10.72
P250-02.875-375B	2-7/8	3-3/8	3/8	0.413 +0.015/0	2.875 +0/-0.002	2.876 +0.003/0	3.375 +0.003/0	2.875 +0/-0.003	3.374 +0/-0.002	3.375 +0.003/0	11.13
P250-03.000	3	3-1/2	1/4	0.275 +0.015/0	3.000 +0/-0.002	3.001 +0.003/0	3.500 +0.003/0	3.000 +0/-0.003	3.499 +0/-0.002	3.500 +0.003/0	10.23
P250-03.000-375B	3	3-1/2	3/8	0.413 +0.015/0	3.000 +0/-0.002	3.001 +0.003/0	3.500 +0.003/0	3.000 +0/-0.003	3.499 +0/-0.002	3.500 +0.003/0	11.58
P250-03.000-375D	3	3-1/2	3/8	0.413 +0.015/0	3.000 +0/-0.002	3.001 +0.003/0	3.500 +0.003/0	3.000 +0/-0.003	3.499 +0/-0.002	3.500 +0.003/0	11.58
P250-03.125	3-1/8	3-5/8	1/4	0.275 +0.015/0	3.125 +0/-0.002	3.126 +0.003/0	3.625 +0.003/0	3.125 +0/-0.003	3.624 +0/-0.002	3.625 +0.003/0	11.62
P250-03.250	3-1/4	3-3/4	1/4	0.275 +0.015/0	3.250 +0/-0.002	3.251 +0.003/0	3.750 +0.003/0	3.250 +0/-0.003	3.749 +0/-0.002	3.750 +0.003/0	11.50
P250-03.250-375B	3-1/4	3-3/4	3/8	0.413 +0.015/0	3.250 +0/-0.002	3.251 +0.003/0	3.750 +0.003/0	3.250 +0/-0.003	3.749 +0/-0.002	3.750 +0.003/0	12.48
P250-03.250-375D	3-1/4	3-3/4	3/8	0.413 +0.015/0	3.250 +0/-0.002	3.251 +0.003/0	3.750 +0.003/0	3.250 +0/-0.003	3.749 +0/-0.002	3.750 +0.003/0	12.48
P250-03.500	3-1/2	4	1/4	0.275 +0.015/0	3.500 +0/-0.002	3.501 +0.003/0	4.000 +0.003/0	3.500 +0/-0.003	3.999 +0/-0.002	4.000 +0.003/0	11.74
P250-03.500-312BHN	3-1/2	4	5/16	0.344 +0.015/0	3.500 +0/-0.002	3.501 +0.003/0	4.000 +0.003/0	3.500 +0/-0.003	3.999 +0/-0.002	4.000 +0.003/0	62.72
P250-03.500-375B	3-1/2	4	3/8	0.413 +0.015/0	3.500 +0/-0.002	3.501 +0.003/0	4.000 +0.003/0	3.500 +0/-0.003	3.999 +0/-0.002	4.000 +0.003/0	13.36
P250-03.500-375BPM	3-1/2	4	3/8	0.413 +0.015/0	3.500 +0/-0.002	3.501 +0.003/0	4.000 +0.003/0	3.500 +0/-0.003	3.999 +0/-0.002	4.000 +0.003/0	22.46
P250-03.500-375D	3-1/2	4	3/8	0.413 +0.015/0	3.500 +0/-0.002	3.501 +0.003/0	4.000 +0.003/0	3.500 +0/-0.003	3.999 +0/-0.002	4.000 +0.003/0	15.43
P250-03.625-375B	3-5/8	4-1/8	3/8	0.413 +0.015/0	3.625 +0/-0.002	3.626 +0.003/0	4.125 +0.003/0	3.625 +0/-0.003	4.124 +0/-0.002	4.125 +0.003/0	16.46
P250-03.750	3-3/4	4-1/4	1/4	0.275 +0.015/0	3.750 +0/-0.002	3.751 +0.003/0	4.250 +0.003/0	3.750 +0/-0.003	4.249 +0/-0.002	4.250 +0.003/0	13.62
P250-03.750-375B	3-3/4	4-1/4	3/8	0.275 +0.015/0	3.750 +0/-0.002	3.751 +0.003/0	4.250 +0.003/0	3.750 +0/-0.003	4.249 +0/-0.002	4.250 +0.003/0	14.14
P250-03.750-375D	3-3/4	4-1/4	3/8	0.275 +0.015/0	3.750 +0/-0.002	3.751 +0.003/0	4.250 +0.003/0	3.750 +0/-0.003	4.249 +0/-0.002	4.250 +0.003/0	17.45
P250-04.000	4	4-1/2	1/4	0.275 +0.015/0	4.000 +0/-0.002	4.001 +0.003/0	4.500 +0.003/0	4.000 +0/-0.003	4.499 +0/-0.002	4.500 +0.003/0	13.19
P250-04.000-312BHN	4	4-1/2	5/16	0.344 +0.015/0	4.000 +0/-0.002	4.001 +0.003/0	4.500 +0.003/0	4.000 +0/-0.003	4.499 +0/-0.002	4.500 +0.003/0	70.57
P250-04.000-375B	4	4-1/2	3/8	0.413 +0.015/0	4.000 +0/-0.002	4.001 +0.003/0	4.500 +0.003/0	4.000 +0/-0.003	4.499 +0/-0.002	4.500 +0.003/0	15.37
P250-04.000-375D	4	4-1/2	3/8	0.413 +0.015/0	4.000 +0/-0.002	4.001 +0.003/0	4.500 +0.003/0	4.000 +0/-0.003	4.499 +0/-0.002	4.500 +0.003/0	15.37
P250-04.000-562B	4	4-1/2	9/16	0.618 +0.015/0	4.000 +0/-0.002	4.001 +0.003/0	4.500 +0.003/0	4.000 +0/-0.003	4.499 +0/-0.002	4.500 +0.003/0	15.37
P250-04.000-562D	4	4-1/2	9/16	0.618 +0.015/0	4.125 +0/-0.002	4.126 +0.003/0	4.625 +0.003/0	4.125 +0/-0.003	4.624 +0/-0.002	4.625 +0.003/0	15.08
P250-04.250	4-1/4	4-3/4	1/4	0.275 +0.015/0	4.250 +0/-0.002	4.251 +0.003/0	4.750 +0.003/0	4.250 +0/-0.003	4.749 +0/-0.002	4.750 +0.003/0	13.95
P250-04.250-375B	4-1/4	4-3/4	3/8	0.413 +0.015/0	4.250 +0/-0.002	4.251 +0.003/0	4.750 +0.003/0	4.250 +0/-0.003	4.749 +0/-0.002	4.750 +0.003/0	17.54
P250-04.250-375BPM	4-1/4	4-3/4	3/8	0.413 +0.015/0	4.250 +0/-0.002	4.251 +0.003/0	4.750 +0.003/0	4.250 +0/-0.003	4.749 +0/-0.002	4.750 +0.003/0	36.51
P250-04.250-562B	4-1/4	4-3/4	9/16	0.618 +0.015/0	4.250 +0/-0.002	4.251 +0.003/0	4.750 +0.003/0	4.250 +0/-0.003	4.749 +0/-0.002	4.750 +0.003/0	18.42
P250-04.250-562D	4-1/4	4-3/4	9/16	0.618 +0.015/0	4.250 +0/-0.002	4.251 +0.003/0	4.750 +0.003/0	4.250 +0/-0.003	4.749 +0/-0.002	4.750 +0.003/0	18.42
P250-04.375	4-3/8	4-7/8	1/4	0.275 +0.015/0	4.375 +0/-0.002	4.376 +0.003/0	4.875 +0.003/0	4.375 +0/-0.003	4.874 +0/-0.002	4.875 +0.003/0	17.85
P250-04.500	4-1/2	5	1/4	0.275 +0.015/0	4.500 +0/-0.002	4.501 +0.003/0	5.000 +0.003/0	4.500 +0/-0.003	4.999 +0/-0.002	5.000 +0.003/0	14.75

STYLE 850 POLYURETHANE U-SEALS

U-SEALS

Part Number	A NOM. I.D.	B NOM. O.D.	C NOM. HT.	D GROOVE WIDTH	E ROD DIAMETER	F THROAT DIAMETER	G HOUSING DIAMETER	H GROOVE DIAMETER	I PISTON DIAMETER	J BORE DIAMETER	List Price
1/4" C/S											
P250-04.500-312BHN	4-1/2	5	5/16	0.344 +0.015/0	4.500 +0/-0.002	4.501 +0.003/0	5.000 +0.003/0	4.500 +0/-0.003	4.999 +0/-0.002	5.000 +0.003/0	\$ 77.60
P250-04.500-375B	4-1/2	5	3/8	0.413 +0.015/0	4.500 +0/-0.002	4.501 +0.003/0	5.000 +0.003/0	4.500 +0/-0.003	4.999 +0/-0.002	5.000 +0.003/0	18.24
P250-04.500-375D	4-1/2	5	3/8	0.413 +0.015/0	4.500 +0/-0.002	4.501 +0.003/0	5.000 +0.003/0	4.500 +0/-0.003	4.999 +0/-0.002	5.000 +0.003/0	18.24
P250-04.500-562B	4-1/2	5	9/16	0.618 +0.015/0	4.500 +0/-0.002	4.501 +0.003/0	5.000 +0.003/0	4.500 +0/-0.003	4.999 +0/-0.002	5.000 +0.003/0	18.24
P250-04.500-562D	4-1/2	5	9/16	0.618 +0.015/0	4.500 +0/-0.002	4.501 +0.003/0	5.000 +0.003/0	4.500 +0/-0.003	4.999 +0/-0.002	5.000 +0.003/0	17.89
P250-04.750	4-3/4	5-1/4	1/4	0.275 +0.015/0	4.750 +0/-0.002	4.751 +0.003/0	5.250 +0.003/0	4.750 +0/-0.003	5.249 +0/-0.002	5.250 +0.003/0	15.47
P250-04.750-375B	4-3/4	5-1/4	3/8	0.413 +0.015/0	4.750 +0/-0.002	4.751 +0.003/0	5.250 +0.003/0	4.750 +0/-0.003	5.249 +0/-0.002	5.250 +0.003/0	20.03
P250-04.750-562B	4-3/4	5-1/4	9/16	0.618 +0.015/0	4.750 +0/-0.002	4.751 +0.003/0	5.250 +0.003/0	4.750 +0/-0.003	5.249 +0/-0.002	5.250 +0.003/0	19.07
P250-04.750-562D	4-3/4	5-1/4	9/16	0.618 +0.015/0	4.750 +0/-0.002	4.751 +0.003/0	5.250 +0.003/0	4.750 +0/-0.003	5.249 +0/-0.002	5.250 +0.003/0	20.03
P250-05.000	5	5-1/2	1/4	0.275 +0.015/0	5.000 +0/-0.002	5.001 +0.003/0	5.500 +0.003/0	5.000 +0/-0.003	5.499 +0/-0.002	5.500 +0.003/0	16.21
P250-05.000-375B	5	5-1/2	3/8	0.413 +0.015/0	5.000 +0/-0.002	5.001 +0.003/0	5.500 +0.003/0	5.000 +0/-0.003	5.499 +0/-0.002	5.500 +0.003/0	21.10
P250-05.000-375D	5	5-1/2	3/8	0.413 +0.015/0	5.000 +0/-0.002	5.001 +0.003/0	5.500 +0.003/0	5.000 +0/-0.003	5.499 +0/-0.002	5.500 +0.003/0	21.10
P250-05.000-562B	5	5-1/2	9/16	0.618 +0.015/0	5.000 +0/-0.002	5.001 +0.003/0	5.500 +0.003/0	5.000 +0/-0.003	5.499 +0/-0.002	5.500 +0.003/0	21.10
P250-05.000-562D	5	5-1/2	9/16	0.618 +0.015/0	5.000 +0/-0.002	5.001 +0.003/0	5.500 +0.003/0	5.000 +0/-0.003	5.499 +0/-0.002	5.500 +0.003/0	21.10
P250-05.250	5-1/4	5-3/4	1/4	0.275 +0.015/0	5.250 +0/-0.002	5.251 +0.003/0	5.750 +0.003/0	5.250 +0/-0.003	5.749 +0/-0.002	5.750 +0.003/0	16.73
P250-05.250-375BPM	5-1/4	5-3/4	3/8	0.413 +0.015/0	5.250 +0/-0.002	5.251 +0.003/0	5.750 +0.003/0	5.250 +0/-0.003	5.749 +0/-0.002	5.750 +0.003/0	34.21
P250-05.375	5-3/8	5-7/8	1/4	0.275 +0.015/0	5.375 +0/-0.002	5.376 +0.003/0	5.875 +0.003/0	5.375 +0/-0.003	5.874 +0/-0.002	5.875 +0.003/0	17.23
P250-05.500	5-1/2	6	1/4	0.275 +0.015/0	5.500 +0/-0.002	5.501 +0.003/0	6.000 +0.003/0	5.500 +0/-0.003	5.999 +0/-0.002	6.000 +0.003/0	17.72
P250-05.500-375B	5-1/2	6	3/8	0.413 +0.015/0	5.500 +0/-0.002	5.501 +0.003/0	6.000 +0.003/0	5.500 +0/-0.003	5.999 +0/-0.002	6.000 +0.003/0	23.94
P250-05.500-375D	5-1/2	6	3/8	0.413 +0.015/0	5.500 +0/-0.002	5.501 +0.003/0	6.000 +0.003/0	5.500 +0/-0.003	5.999 +0/-0.002	6.000 +0.003/0	30.19
P250-05.500-562B	5-1/2	6	9/16	0.618 +0.015/0	5.500 +0/-0.002	5.501 +0.003/0	6.000 +0.003/0	5.500 +0/-0.003	5.999 +0/-0.002	6.000 +0.003/0	23.94
P250-05.500-562D	5-1/2	6	9/16	0.618 +0.015/0	5.500 +0/-0.002	5.501 +0.003/0	6.000 +0.003/0	5.500 +0/-0.003	5.999 +0/-0.002	6.000 +0.003/0	24.65
P250-05.625	5-5/8	6-1/8	1/4	0.275 +0.015/0	5.625 +0/-0.002	5.626 +0.003/0	6.125 +0.003/0	5.625 +0/-0.003	6.124 +0/-0.002	6.125 +0.003/0	17.90
P250-05.750-375BPM	5-3/4	6-1/4	3/8	0.413 +0.015/0	5.500 +0/-0.002	5.501 +0.003/0	6.000 +0.003/0	5.500 +0/-0.003	5.999 +0/-0.002	6.000 +0.003/0	55.42
P250-05.750-562B	5-3/4	6-1/4	9/16	0.618 +0.015/0	5.750 +0/-0.002	5.751 +0.003/0	6.250 +0.003/0	5.750 +0/-0.003	6.249 +0/-0.002	6.250 +0.003/0	26.83
P250-05.750-562D	5-3/4	6-1/4	9/16	0.618 +0.015/0	5.750 +0/-0.002	5.751 +0.003/0	6.250 +0.003/0	5.750 +0/-0.003	6.249 +0/-0.002	6.250 +0.003/0	26.83
P250-06.000	6	6-1/2	1/4	0.275 +0.015/0	6.000 +0/-0.002	6.001 +0.003/0	6.500 +0.003/0	6.000 +0/-0.003	6.499 +0/-0.002	6.500 +0.003/0	19.24
P250-06.000-375B	6	6-1/2	3/8	0.413 +0.015/0	6.000 +0/-0.002	6.001 +0.003/0	6.500 +0.003/0	6.000 +0/-0.003	6.499 +0/-0.002	6.500 +0.003/0	25.03
P250-06.000-562B	6	6-1/2	9/16	0.618 +0.015/0	6.000 +0/-0.002	6.001 +0.003/0	6.500 +0.003/0	6.000 +0/-0.003	6.499 +0/-0.002	6.500 +0.003/0	26.42
P250-06.000-562D	6	6-1/2	9/16	0.618 +0.015/0	6.000 +0/-0.002	6.001 +0.003/0	6.500 +0.003/0	6.000 +0/-0.003	6.499 +0/-0.002	6.500 +0.003/0	25.03
P250-06.250-562B	6-1/4	6-3/4	9/16	0.618 +0.015/0	6.250 +0/-0.002	6.251 +0.003/0	6.750 +0.003/0	6.250 +0/-0.003	6.749 +0/-0.002	6.750 +0.003/0	38.28
P250-06.500	6-1/2	7	1/4	0.275 +0.015/0	6.500 +0/-0.002	6.501 +0.003/0	7.000 +0.003/0	6.500 +0/-0.003	6.999 +0/-0.002	7.000 +0.003/0	21.30
P250-06.500-375B	6-1/2	7	3/8	0.413 +0.015/0	6.500 +0/-0.002	6.501 +0.003/0	7.000 +0.003/0	6.500 +0/-0.003	6.999 +0/-0.002	7.000 +0.003/0	29.56
P250-06.500-375D	6-1/2	7	3/8	0.413 +0.015/0	6.500 +0/-0.002	6.501 +0.003/0	7.000 +0.003/0	6.500 +0/-0.003	6.999 +0/-0.002	7.000 +0.003/0	29.56
P250-06.500-562B	6-1/2	7	9/16	0.618 +0.015/0	6.500 +0/-0.002	6.501 +0.003/0	7.000 +0.003/0	6.500 +0/-0.003	6.999 +0/-0.002	7.000 +0.003/0	28.37
P250-06.500-562D	6-1/2	7	9/16	0.618 +0.015/0	6.500 +0/-0.002	6.501 +0.003/0	7.000 +0.003/0	6.500 +0/-0.003	6.999 +0/-0.002	7.000 +0.003/0	48.36
P250-06.750	6-3/4	7-1/4	1/4	0.275 +0.015/0	6.750 +0/-0.002	6.751 +0.003/0	7.250 +0.003/0	6.750 +0/-0.003	7.249 +0/-0.002	7.250 +0.003/0	22.02
P250-06.750-562B	6-3/4	7-1/4	9/16	0.618 +0.015/0	6.750 +0/-0.002	6.751 +0.003/0	7.250 +0.003/0	6.750 +0/-0.003	7.249 +0/-0.002	7.250 +0.003/0	28.98
P250-07.000-375B	7	7-1/2	3/8	0.413 +0.015/0	7.000 +0/-0.002	7.001 +0.003/0	7.500 +0.003/0	7.000 +0/-0.003	7.499 +0/-0.002	7.500 +0.003/0	28.15
P250-07.000-562B	7	7-1/2	9/16	0.618 +0.015/0	7.000 +0/-0.002	7.001 +0.003/0	7.500 +0.003/0	7.000 +0/-0.003	7.499 +0/-0.002	7.500 +0.003/0	30.12

STYLE 850 POLYURETHANE U-SEALS



U-SEALS

Part Number	A NOM. I.D.	B NOM. O.D.	C NOM. HT.	D GROOVE WIDTH	E ROD DIAMETER	F THROAT DIAMETER	G HOUSING DIAMETER	H GROOVE DIAMETER	I PISTON DIAMETER	J BORE DIAMETER	List Price
1/4" C/S											
P250-07.500	7-1/2	8	1/4	0.275 +0.015/0	7.500 +0/-0.002	7.501 +0.003/0	8.000 +0.003/0	7.500 +0/-0.003	7.999 +0/-0.002	8.000 +0.003/0	\$ 24.14
P250-07.500-562B	7-1/2	8	9/16	0.618 +0.015/0	7.500 +0/-0.002	7.501 +0.003/0	8.000 +0.003/0	7.500 +0/-0.003	7.999 +0/-0.002	8.000 +0.003/0	34.80
P250-07.500-562D	7-1/2	8	9/16	0.618 +0.015/0	7.500 +0/-0.002	7.501 +0.003/0	8.000 +0.003/0	7.500 +0/-0.003	7.999 +0/-0.002	8.000 +0.003/0	44.54
P250-08.000-562B	8	8-1/2	9/16	0.618 +0.015/0	8.000 +0/-0.002	8.001 +0.003/0	8.500 +0.003/0	8.000 +0/-0.003	8.499 +0/-0.002	8.500 +0.003/0	37.17
P250-08.500-562B	8-1/2	9	9/16	0.618 +0.015/0	8.500 +0/-0.002	8.501 +0.003/0	9.000 +0.003/0	8.500 +0/-0.003	8.999 +0/-0.002	9.000 +0.003/0	39.79
P250-09.750-562B	9-3/4	10-1/4	9/16	0.618 +0.015/0	9.750 +0/-0.002	9.751 +0.003/0	10.250 +0.003/0	9.750 +0/-0.003	10.249 +0/-0.002	10.250 +0.003/0	47.68
P250-10.000-562B	10	10-1/2	9/16	0.618 +0.015/0	10.000 +0/-0.002	10.001 +0.003/0	10.500 +0.003/0	10.000 +0/-0.003	10.499 +0/-0.002	10.500 +0.003/0	63.54
P250-11.500	11-1/2	12	1/4	0.275 +0.015/0	11.500 +0/-0.002	11.501 +0.003/0	12.000 +0.003/0	11.500 +0/-0.003	11.999 +0/-0.002	12.000 +0.003/0	42.00
9/32" C/S											
P281-05.000-343BHN	5	5-9/16	11/32	0.378 +0.015/0	5.000 +0/-0.002	5.001 +0.003/0	5.563 +0.003/0	5.000 +0/-0.003	5.562 +0/-0.002	5.563 +0.003/0	\$ 82.64
5/16" C/S											
P312-00.875	7/8	1-1/2	5/16	0.343 +0.015/0	0.875 +0/-0.002	0.877 +0.003/0	1.500 +0.004/0	0.875 +0/-0.004	1.498 +0/-0.002	1.500 +0.003/0	\$ 5.91
P312-01.000-500B	1	1-5/8	1/2	0.550 +0.015/0	1.000 +0/-0.002	1.002 +0.003/0	1.625 +0.004/0	1.000 +0/-0.004	1.623 +0/-0.002	1.625 +0.003/0	6.26
P312-01.000-500D	1	1-5/8	1/2	0.550 +0.015/0	1.000 +0/-0.002	1.002 +0.003/0	1.625 +0.004/0	1.000 +0/-0.004	1.623 +0/-0.002	1.625 +0.003/0	6.26
P312-01.187	1-3/16	1-13/16	5/16	0.343 +0.015/0	1.187 +0/-0.002	1.189 +0.003/0	1.812 +0.004/0	1.187 +0/-0.004	1.810 +0/-0.002	1.812 +0.003/0	6.09
P312-01.250-500B	1-1/4	1-7/8	1/2	0.550 +0.015/0	1.250 +0/-0.002	1.252 +0.003/0	1.875 +0.004/0	1.250 +0/-0.004	1.873 +0/-0.002	1.875 +0.003/0	6.72
P312-01.375	1-3/8	2	5/16	0.343 +0.015/0	1.375 +0/-0.002	1.377 +0.003/0	2.000 +0.004/0	1.375 +0/-0.004	1.998 +0/-0.002	2.000 +0.003/0	6.72
P312-01.375-500B	1-3/8	2	1/2	0.550 +0.015/0	1.375 +0/-0.002	1.377 +0.003/0	2.000 +0.004/0	1.375 +0/-0.004	1.998 +0/-0.002	2.000 +0.003/0	6.99
P312-01.500	1-1/2	2-1/8	5/16	0.343 +0.015/0	1.500 +0/-0.002	1.502 +0.003/0	2.125 +0.004/0	1.500 +0/-0.004	2.123 +0/-0.002	2.125 +0.003/0	6.85
P312-01.500-500B	1-1/2	2-1/8	1/2	0.550 +0.015/0	1.500 +0/-0.002	1.502 +0.003/0	2.125 +0.004/0	1.500 +0/-0.004	2.123 +0/-0.002	2.125 +0.003/0	8.06
P312-01.500-500D	1-1/2	2-1/8	1/2	0.550 +0.015/0	1.500 +0/-0.002	1.502 +0.003/0	2.125 +0.004/0	1.500 +0/-0.004	2.123 +0/-0.002	2.125 +0.003/0	8.06
P312-01.625	1-5/8	2-1/4	5/16	0.343 +0.015/0	1.625 +0/-0.002	1.627 +0.003/0	2.250 +0.004/0	1.625 +0/-0.004	2.248 +0/-0.002	2.250 +0.003/0	7.67
P312-01.750	1-3/4	2-3/8	5/16	0.343 +0.015/0	1.750 +0/-0.002	1.752 +0.003/0	2.375 +0.004/0	1.750 +0/-0.004	2.373 +0/-0.002	2.375 +0.003/0	8.06
P312-01.750-500B	1-3/4	2-3/8	1/2	0.550 +0.015/0	1.750 +0/-0.002	1.752 +0.003/0	2.375 +0.004/0	1.750 +0/-0.004	2.373 +0/-0.002	2.375 +0.003/0	8.96
P312-01.750-500D	1-3/4	2-3/8	1/2	0.550 +0.015/0	1.750 +0/-0.002	1.752 +0.003/0	2.375 +0.004/0	1.750 +0/-0.004	2.373 +0/-0.002	2.375 +0.003/0	8.96
P312-01.875	1-7/8	2-1/2	5/16	0.343 +0.015/0	1.875 +0/-0.002	1.877 +0.003/0	2.500 +0.004/0	1.875 +0/-0.004	2.498 +0/-0.002	2.500 +0.003/0	8.32
P312-01.875-500B	1-7/8	2-1/2	1/2	0.550 +0.015/0	1.875 +0/-0.002	1.877 +0.003/0	2.500 +0.004/0	1.875 +0/-0.004	2.498 +0/-0.002	2.500 +0.003/0	9.34
P312-02.000	2	2-5/8	5/16	0.343 +0.015/0	2.000 +0/-0.002	2.002 +0.003/0	2.625 +0.004/0	2.000 +0/-0.004	2.623 +0/-0.002	2.625 +0.003/0	9.10
P312-02.000-500B	2	2-5/8	1/2	0.550 +0.015/0	2.000 +0/-0.002	2.002 +0.003/0	2.625 +0.004/0	2.000 +0/-0.004	2.623 +0/-0.002	2.625 +0.003/0	9.57
P312-02.000-500D	2	2-5/8	1/2	0.550 +0.015/0	2.000 +0/-0.002	2.002 +0.003/0	2.625 +0.004/0	2.000 +0/-0.004	2.623 +0/-0.002	2.625 +0.003/0	9.57
P312-02.125-500B	2-1/8	2-3/4	1/2	0.550 +0.015/0	2.125 +0/-0.002	2.126 +0.003/0	2.750 +0.004/0	2.125 +0/-0.004	2.749 +0/-0.002	2.750 +0.003/0	17.12
P312-02.250	2-1/4	2-7/8	5/16	0.343 +0.015/0	2.250 +0/-0.002	2.252 +0.003/0	2.875 +0.004/0	2.250 +0/-0.004	2.873 +0/-0.002	2.875 +0.003/0	9.57
P312-02.250-500B	2-1/4	2-7/8	1/2	0.550 +0.015/0	2.250 +0/-0.002	2.252 +0.003/0	2.875 +0.004/0	2.250 +0/-0.004	2.873 +0/-0.002	2.875 +0.003/0	11.34
P312-02.375	2-3/8	3	5/16	0.343 +0.015/0	2.375 +0/-0.002	2.377 +0.003/0	3.000 +0.004/0	2.375 +0/-0.004	2.998 +0/-0.002	3.000 +0.003/0	10.07
P312-02.375-500B	2-3/8	3	1/2	0.550 +0.015/0	2.375 +0/-0.002	2.377 +0.003/0	3.000 +0.004/0	2.375 +0/-0.004	2.998 +0/-0.002	3.000 +0.003/0	10.98
P312-02.375-500D	2-3/8	3	1/2	0.550 +0.015/0	2.375 +0/-0.002	2.377 +0.003/0	3.000 +0.004/0	2.375 +0/-0.004	2.998 +0/-0.002	3.000 +0.003/0	10.98
P312-02.500	2-1/2	3-1/8	5/16	0.343 +0.015/0	2.500 +0/-0.002	2.502 +0.003/0	3.125 +0.004/0	2.500 +0/-0.004	3.123 +0/-0.002	3.125 +0.003/0	10.48
P312-02.500-500B	2-1/2	3-1/8	1/2	0.550 +0.015/0	2.500 +0/-0.002	2.502 +0.003/0	3.125 +0.004/0	2.500 +0/-0.004	3.123 +0/-0.002	3.125 +0.003/0	11.44
P312-02.625-500B	2-5/8	3-1/4	1/2	0.550 +0.015/0	2.625 +0/-0.002	2.627 +0.003/0	3.250 +0.004/0	2.625 +0/-0.004	3.248 +0/-0.002	3.250 +0.003/0	26.08
P312-02.750	2-3/4	3-3/8	5/16	0.343 +0.015/0	2.750 +0/-0.002	2.752 +0.003/0	3.375 +0.004/0	2.750 +0/-0.004	3.373 +0/-0.002	3.375 +0.003/0	11.21

STYLE 850 POLYURETHANE U-SEALS

U-SEALS

Part Number	A NOM. I.D.	B NOM. O.D.	C NOM. HT.	D GROOVE WIDTH	E ROD DIAMETER	F THROAT DIAMETER	G HOUSING DIAMETER	H GROOVE DIAMETER	I PISTON DIAMETER	J BORE DIAMETER	List Price
5/16" C/S											
P312-02.750-500B	2-3/4	3-3/8	1/2	0.550 +0.015/0	2.750 +0/-0.002	2.752 +0.003/0	3.375 +0.004/0	2.750 +0/-0.004	3.373 +0/-0.002	3.375 +0.003/0	\$ 12.43
P312-03.000-500B	3	3-5/8	1/2	0.550 +0.015/0	3.000 +0/-0.002	3.002 +0.003/0	3.625 +0.004/0	3.000 +0/-0.004	3.623 +0/-0.002	3.625 +0.003/0	13.43
P312-03.125	3-1/8	3-3/4	5/16	0.343 +0.015/0	3.125 +0/-0.002	3.127 +0.003/0	3.750 +0.004/0	3.125 +0/-0.004	3.748 +0/-0.002	3.750 +0.003/0	16.78
P312-03.250-500B	3-1/4	3-7/8	1/2	0.550 +0.015/0	3.250 +0/-0.002	3.252 +0.003/0	3.875 +0.004/0	3.250 +0/-0.004	3.873 +0/-0.002	3.875 +0.003/0	15.08
P312-03.375	3-3/8	4	5/16	0.343 +0.015/0	3.375 +0/-0.002	3.377 +0.003/0	4.000 +0.004/0	3.375 +0/-0.004	3.998 +0/-0.002	4.000 +0.003/0	13.70
P312-03.375-500B	3-3/8	4	1/2	0.550 +0.015/0	3.375 +0/-0.002	3.377 +0.003/0	4.000 +0.004/0	3.375 +0/-0.004	3.998 +0/-0.002	4.000 +0.003/0	14.93
P312-03.375-500D	3-3/8	4	1/2	0.550 +0.015/0	3.375 +0/-0.002	3.377 +0.003/0	4.000 +0.004/0	3.375 +0/-0.004	3.998 +0/-0.002	4.000 +0.003/0	14.93
P312-03.500	3-1/2	4-1/8	5/16	0.343 +0.015/0	3.500 +0/-0.002	3.502 +0.003/0	4.125 +0.004/0	3.500 +0/-0.004	4.123 +0/-0.002	4.125 +0.003/0	14.16
P312-03.500-500B	3-1/2	4-1/8	1/2	0.550 +0.015/0	3.500 +0/-0.002	3.502 +0.003/0	4.125 +0.004/0	3.500 +0/-0.004	4.123 +0/-0.002	4.125 +0.003/0	16.30
P312-03.750	3-3/4	4-3/8	5/16	0.343 +0.015/0	3.750 +0/-0.002	3.752 +0.003/0	4.375 +0.004/0	3.750 +0/-0.004	4.373 +0/-0.002	4.375 +0.003/0	15.09
P312-03.750-375B	3-3/4	4-3/8	3/8	0.413 +0.015/0	3.750 +0/-0.002	3.752 +0.003/0	4.375 +0.004/0	3.750 +0/-0.004	4.373 +0/-0.002	4.375 +0.003/0	16.46
P312-03.875-500D	3-7/8	4-1/2	1/2	0.550 +0.015/0	3.875 +0/-0.002	3.877 +0.003/0	4.500 +0.004/0	3.875 +0/-0.004	4.498 +0/-0.002	4.500 +0.003/0	18.04
P312-04.000	4	4-5/8	5/16	0.343 +0.015/0	4.000 +0/-0.002	4.002 +0.003/0	4.625 +0.004/0	4.000 +0/-0.004	4.623 +0/-0.002	4.625 +0.003/0	16.72
P312-04.000-562B	4	4-5/8	9/16	0.618 +0.015/0	4.000 +0/-0.002	4.002 +0.003/0	4.625 +0.004/0	4.000 +0/-0.004	4.623 +0/-0.002	4.625 +0.003/0	17.64
P312-04.125-562B	4-1/8	4-3/4	9/16	0.618 +0.015/0	4.125 +0/-0.002	4.127 +0.003/0	4.750 +0.004/0	4.125 +0/-0.004	4.748 +0/-0.002	4.750 +0.003/0	18.10
P312-04.250-562B	4-1/4	4-7/8	9/16	0.618 +0.015/0	4.250 +0/-0.002	4.252 +0.003/0	4.875 +0.004/0	4.250 +0/-0.004	4.873 +0/-0.002	4.875 +0.003/0	18.54
P312-04.375	4-3/8	5	5/16	0.343 +0.015/0	4.375 +0/-0.002	4.377 +0.003/0	5.000 +0.004/0	4.375 +0/-0.004	4.998 +0/-0.002	5.000 +0.003/0	17.59
P312-04.375-500D	4-3/8	5	1/2	0.550 +0.015/0	4.375 +0/-0.002	4.377 +0.003/0	5.000 +0.004/0	4.375 +0/-0.004	4.998 +0/-0.002	5.000 +0.003/0	19.96
P312-04.375-562D	4-3/8	5	9/16	0.618 +0.015/0	4.375 +0/-0.002	4.377 +0.003/0	5.000 +0.004/0	4.375 +0/-0.004	4.998 +0/-0.002	5.000 +0.003/0	19.96
P312-04.750	4-3/4	5-3/8	5/16	0.343 +0.015/0	4.750 +0/-0.002	4.752 +0.003/0	5.375 +0.004/0	4.750 +0/-0.004	5.373 +0/-0.002	5.375 +0.003/0	18.97
P312-04.750-625B	4-3/4	5-3/8	5/8	0.688 +0.015/0	4.750 +0/-0.002	4.752 +0.003/0	5.375 +0.004/0	4.750 +0/-0.004	5.373 +0/-0.002	5.375 +0.003/0	21.30
P312-04.875	4-7/8	5-1/2	5/16	0.343 +0.015/0	4.875 +0/-0.002	4.877 +0.003/0	5.500 +0.004/0	4.875 +0/-0.004	5.498 +0/-0.002	5.500 +0.003/0	36.33
P312-05.375-625D	5-3/8	6	5/8	0.343 +0.015/0	5.375 +0/-0.002	5.376 +0.003/0	6.000 +0.004/0	6.000 +0/-0.004	5.998 +0/-0.002	5.875 +0.003/0	25.06
P312-05.500	5-1/2	6-1/8	5/16	0.343 +0.015/0	5.500 +0/-0.002	5.502 +0.003/0	6.125 +0.004/0	5.500 +0/-0.004	6.123 +0/-0.002	6.125 +0.003/0	21.94
P312-05.500-375BHN	5-1/2	6-1/8	3/8	0.413 +0.015/0	5.500 +0/-0.002	5.502 +0.003/0	6.125 +0.004/0	5.500 +0/-0.004	6.123 +0/-0.002	6.125 +0.003/0	90.18
P312-07.000	7	7-5/8	5/16	0.343 +0.015/0	7.000 +0/-0.002	7.002 +0.003/0	7.625 +0.004/0	7.000 +0/-0.004	7.623 +0/-0.002	7.625 +0.003/0	31.87
P312-07.250	7-1/4	7-7/8	5/16	0.343 +0.015/0	7.250 +0/-0.002	7.252 +0.003/0	7.875 +0.004/0	7.250 +0/-0.004	7.873 +0/-0.002	7.875 +0.003/0	27.71
P312-07.375	7-3/8	8	5/16	0.343 +0.015/0	7.375 +0/-0.002	7.377 +0.003/0	8.000 +0.004/0	7.375 +0/-0.004	7.998 +0/-0.002	8.000 +0.003/0	27.71
P312-07.875-625B	7-7/8	8-1/2	5/8	0.688 +0.015/0	7.875 +0/-0.002	7.877 +0.003/0	8.500 +0.004/0	7.875 +0/-0.004	8.498 +0/-0.002	8.500 +0.003/0	63.80
P312-08.000	8	8-5/8	5/16	0.343 +0.015/0	8.000 +0/-0.002	8.002 +0.003/0	8.625 +0.004/0	8.000 +0/-0.004	8.623 +0/-0.002	8.625 +0.003/0	35.74
3/8" C/S											
P375-00.750	3/4	1-1/2	3/8	0.413 +0.015/0	0.750 +0/-0.002	0.752 +0.004/0	1.500 +0.005/0	0.750 +0/-0.005	1.498 +0/-0.002	1.500 +0.004/0	\$ 14.94
P375-00.875	7/8	1-5/8	3/8	0.413 +0.015/0	0.875 +0/-0.002	0.877 +0.004/0	1.625 +0.005/0	0.875 +0/-0.005	1.623 +0/-0.002	1.625 +0.004/0	15.89
P375-01.250	1-1/4	2	3/8	0.413 +0.015/0	1.250 +0/-0.002	1.252 +0.004/0	2.000 +0.005/0	1.250 +0/-0.005	1.998 +0/-0.002	2.000 +0.004/0	8.66
P375-01.375	1-3/8	2-1/8	3/8	0.413 +0.015/0	1.375 +0/-0.002	1.377 +0.004/0	2.125 +0.005/0	1.375 +0/-0.005	2.123 +0/-0.002	2.125 +0.004/0	9.19
P375-01.375-625B	1-3/8	2-1/8	5/8	0.688 +0.015/0	1.375 +0/-0.002	1.377 +0.004/0	2.125 +0.005/0	1.375 +0/-0.005	2.123 +0/-0.002	2.125 +0.004/0	15.95
P375-01.500	1-1/2	2-1/4	3/8	0.413 +0.015/0	1.500 +0/-0.002	1.502 +0.004/0	2.250 +0.005/0	1.500 +0/-0.005	2.248 +0/-0.002	2.250 +0.004/0	9.36
P375-01.500-625B	1-1/2	2-1/4	5/8	0.688 +0.015/0	1.500 +0/-0.002	1.502 +0.004/0	2.250 +0.005/0	1.500 +0/-0.005	2.248 +0/-0.002	2.250 +0.004/0	11.18
P375-01.625	1-5/8	2-3/8	3/8	0.413 +0.015/0	1.625 +0/-0.002	1.627 +0.004/0	2.375 +0.005/0	1.625 +0/-0.005	2.373 +0/-0.002	2.375 +0.004/0	12.15
P375-01.750	1-3/4	2-1/2	3/8	0.413 +0.015/0	1.750 +0/-0.002	1.752 +0.004/0	2.500 +0.005/0	1.750 +0/-0.005	2.498 +0/-0.002	2.500 +0.004/0	10.67

STYLE 850 POLYURETHANE U-SEALS



U-SEALS

Part Number	A NOM. I.D.	B NOM. O.D.	C NOM. HT.	D GROOVE WIDTH	E ROD DIAMETER	F THROAT DIAMETER	G HOUSING DIAMETER	H GROOVE DIAMETER	I PISTON DIAMETER	J BORE DIAMETER	List Price
3/8" C/S											
P375-01.750-625B	1-3/4	2-1/2	5/8	0.688 +0.015/0	1.750 +0/-0.002	1.752 +0.004/0	2.500 +0.005/0	1.750 +0/-0.005	2.498 +0/-0.002	2.500 +0.004/0	\$ 11.59
P375-02.000	2	2-3/4	3/8	0.413 +0.015/0	2.000 +0/-0.002	2.002 +0.004/0	2.750 +0.005/0	2.000 +0/-0.005	2.748 +0/-0.002	2.750 +0.004/0	12.27
P375-02.000-625B	2	2-3/4	5/8	0.688 +0.015/0	2.000 +0/-0.002	2.002 +0.004/0	2.750 +0.005/0	2.000 +0/-0.005	2.748 +0/-0.002	2.750 +0.004/0	13.53
P375-02.000-625D	2	2-3/4	5/8	0.688 +0.015/0	2.000 +0/-0.002	2.002 +0.004/0	2.750 +0.005/0	2.000 +0/-0.005	2.748 +0/-0.002	2.750 +0.004/0	34.82
P375-02.125	2-1/8	2-7/8	3/8	0.413 +0.015/0	2.125 +0/-0.002	2.124 +0.004/0	2.875 +0.005/0	2.125 +0/-0.005	2.874 +0/-0.002	2.875 +0.004/0	12.93
P375-02.250-625B	2-1/4	3	5/8	0.688 +0.015/0	2.250 +0/-0.002	2.252 +0.004/0	3.000 +0.005/0	2.250 +0/-0.005	2.998 +0/-0.002	3.000 +0.004/0	15.08
P375-02.250-625D	2-1/4	3	5/8	0.688 +0.015/0	2.250 +0/-0.002	2.252 +0.004/0	3.000 +0.005/0	2.250 +0/-0.005	2.998 +0/-0.002	3.000 +0.004/0	15.08
P375-02.375-625B	2-3/8	3-1/8	5/8	0.688 +0.015/0	2.375 +0/-0.002	2.377 +0.004/0	3.125 +0.005/0	2.375 +0/-0.005	3.123 +0/-0.002	3.125 +0.004/0	18.14
P375-02.500	2-1/2	3-1/4	3/8	0.413 +0.015/0	2.500 +0/-0.002	2.502 +0.004/0	3.250 +0.005/0	2.500 +0/-0.005	3.248 +0/-0.002	3.250 +0.004/0	14.92
P375-02.500-625B	2-1/2	3-1/4	5/8	0.688 +0.015/0	2.500 +0/-0.002	2.502 +0.004/0	3.250 +0.005/0	2.500 +0/-0.005	3.248 +0/-0.002	3.250 +0.004/0	15.87
P375-02.500-625D	2-1/2	3-1/4	5/8	0.688 +0.015/0	2.500 +0/-0.002	2.502 +0.004/0	3.250 +0.005/0	2.500 +0/-0.005	3.248 +0/-0.002	3.250 +0.004/0	15.87
P375-02.625-625B	2-5/8	3-3/8	5/8	0.688 +0.015/0	2.625 +0/-0.002	2.627 +0.004/0	3.375 +0.005/0	2.625 +0/-0.005	3.373 +0/-0.002	3.375 +0.004/0	17.13
P375-02.750	2-3/4	3-1/2	3/8	0.413 +0.015/0	2.750 +0/-0.002	2.752 +0.004/0	3.500 +0.005/0	2.750 +0/-0.005	3.498 +0/-0.002	3.500 +0.004/0	15.70
P375-02.750-625B	2-3/4	3-1/2	5/8	0.688 +0.015/0	2.750 +0/-0.002	2.752 +0.004/0	3.500 +0.005/0	2.750 +0/-0.005	3.498 +0/-0.002	3.500 +0.004/0	18.12
P375-03.000	3	3-3/4	3/8	0.413 +0.015/0	3.000 +0/-0.002	3.002 +0.004/0	3.750 +0.005/0	3.000 +0/-0.005	3.748 +0/-0.002	3.750 +0.004/0	17.90
P375-03.000-625B	3	3-3/4	5/8	0.688 +0.015/0	3.000 +0/-0.002	3.002 +0.004/0	3.750 +0.005/0	3.000 +0/-0.005	3.748 +0/-0.002	3.750 +0.004/0	18.86
P375-03.000-625D	3	3-3/4	5/8	0.688 +0.015/0	3.000 +0/-0.002	3.002 +0.004/0	3.750 +0.005/0	3.000 +0/-0.005	3.748 +0/-0.002	3.750 +0.004/0	18.86
P375-03.250	3-1/4	4	3/8	0.413 +0.015/0	3.250 +0/-0.002	3.252 +0.004/0	4.000 +0.005/0	3.250 +0/-0.005	3.998 +0/-0.002	4.000 +0.004/0	18.06
P375-03.250-625B	3-1/4	4	5/8	0.688 +0.015/0	3.250 +0/-0.002	3.252 +0.004/0	4.000 +0.005/0	3.250 +0/-0.005	3.998 +0/-0.002	4.000 +0.004/0	20.03
P375-03.250-625D	3-1/4	4	5/8	0.688 +0.015/0	3.250 +0/-0.002	3.252 +0.004/0	4.000 +0.005/0	3.250 +0/-0.005	3.998 +0/-0.002	4.000 +0.004/0	20.03
P375-03.375-625B	3-3/8	4-1/8	5/8	0.688 +0.015/0	3.375 +0/-0.002	3.377 +0.004/0	4.125 +0.005/0	3.375 +0/-0.005	4.123 +0/-0.002	4.125 +0.004/0	20.50
P375-03.500	3-1/2	4-1/4	3/8	0.413 +0.015/0	3.500 +0/-0.002	3.502 +0.004/0	4.250 +0.005/0	3.500 +0/-0.005	4.248 +0/-0.002	4.250 +0.004/0	19.50
P375-03.500-625B	3-1/2	4-1/4	5/8	0.688 +0.015/0	3.500 +0/-0.002	3.502 +0.004/0	4.250 +0.005/0	3.500 +0/-0.005	4.248 +0/-0.002	4.250 +0.004/0	21.43
P375-03.500-625D	3-1/2	4-1/4	5/8	0.688 +0.015/0	3.500 +0/-0.002	3.502 +0.004/0	4.250 +0.005/0	3.500 +0/-0.005	4.248 +0/-0.002	4.250 +0.004/0	21.43
P375-03.625-625B	3-5/8	4-3/8	5/8	0.688 +0.015/0	3.625 +0/-0.002	3.627 +0.004/0	4.375 +0.005/0	3.625 +0/-0.005	4.373 +0/-0.002	4.375 +0.004/0	22.21
P375-03.750	3-3/4	4-1/2	3/8	0.413 +0.015/0	3.750 +0/-0.002	3.752 +0.004/0	4.500 +0.005/0	3.750 +0/-0.005	4.498 +0/-0.002	4.500 +0.004/0	20.50
P375-03.750-625B	3-3/4	4-1/2	5/8	0.688 +0.015/0	3.750 +0/-0.002	3.752 +0.004/0	4.500 +0.005/0	3.750 +0/-0.005	4.498 +0/-0.002	4.500 +0.004/0	24.35
P375-04.000	4	4-3/4	3/8	0.413 +0.015/0	4.000 +0/-0.002	4.002 +0.004/0	4.750 +0.005/0	4.000 +0/-0.005	4.748 +0/-0.002	4.750 +0.004/0	21.48
P375-04.000-625B	4	4-3/4	5/8	0.688 +0.015/0	4.000 +0/-0.002	4.002 +0.004/0	4.750 +0.005/0	4.000 +0/-0.005	4.748 +0/-0.002	4.750 +0.004/0	24.20
P375-04.250	4-1/4	5	3/8	0.413 +0.015/0	4.250 +0/-0.002	4.252 +0.004/0	5.000 +0.005/0	4.250 +0/-0.005	4.998 +0/-0.002	5.000 +0.004/0	23.13
P375-04.250-375B	4-1/4	5	3/8	0.413 +0.015/0	4.250 +0/-0.002	4.252 +0.004/0	5.000 +0.005/0	4.250 +0/-0.005	4.998 +0/-0.002	5.000 +0.004/0	23.12
P375-04.250-625B	4-1/4	5	5/8	0.688 +0.015/0	4.250 +0/-0.002	4.252 +0.004/0	5.000 +0.005/0	4.250 +0/-0.005	4.998 +0/-0.002	5.000 +0.004/0	25.33
P375-04.250-625D	4-1/4	5	5/8	0.688 +0.015/0	4.250 +0/-0.002	4.252 +0.004/0	5.000 +0.005/0	4.250 +0/-0.005	4.998 +0/-0.002	5.000 +0.004/0	25.33
P375-04.500	4-1/2	5-1/4	3/8	0.413 +0.015/0	4.500 +0/-0.002	4.502 +0.004/0	5.250 +0.005/0	4.500 +0/-0.005	5.248 +0/-0.002	5.250 +0.004/0	25.45
P375-04.500-625B	4-1/2	5-1/4	5/8	0.688 +0.015/0	4.500 +0/-0.002	4.502 +0.004/0	5.250 +0.005/0	4.500 +0/-0.005	5.248 +0/-0.002	5.250 +0.004/0	26.59
P375-04.750	4-3/4	5-1/2	3/8	0.413 +0.015/0	4.750 +0/-0.002	4.752 +0.004/0	5.500 +0.005/0	4.750 +0/-0.005	5.498 +0/-0.002	5.500 +0.004/0	26.72
P375-04.750-625B	4-3/4	5-1/2	5/8	0.688 +0.015/0	4.750 +0/-0.002	4.752 +0.004/0	5.500 +0.005/0	4.750 +0/-0.005	5.498 +0/-0.002	5.500 +0.004/0	27.81
P375-04.750-625D	4-3/4	5-1/2	5/8	0.688 +0.015/0	4.750 +0/-0.002	4.752 +0.004/0	5.500 +0.005/0	4.750 +0/-0.005	5.498 +0/-0.002	5.500 +0.004/0	27.81
P375-05.000	5	5-3/4	3/8	0.413 +0.015/0	5.000 +0/-0.002	5.002 +0.004/0	5.750 +0.005/0	5.000 +0/-0.005	5.748 +0/-0.002	5.750 +0.004/0	27.02
P375-05.000-625B	5	5-3/4	5/8	0.688 +0.015/0	5.000 +0/-0.002	5.002 +0.004/0	5.750 +0.005/0	5.000 +0/-0.005	5.748 +0/-0.002	5.750 +0.004/0	29.13

STYLE 850 POLYURETHANE U-SEALS

U-SEALS

Part Number	A NOM. I.D.	B NOM. O.D.	C NOM. HT.	D GROOVE WIDTH	E ROD DIAMETER	F THROAT DIAMETER	G HOUSING DIAMETER	H GROOVE DIAMETER	I PISTON DIAMETER	J BORE DIAMETER	List Price
3/8" C/S											
P375-05.250	5-1/4	6	3/8	0.412 +0.015/0	5.250 +0/-0.002	5.252 +0.004/0	6.000 +0.005/0	5.250 +0/-0.005	5.998 +0/-0.002	6.000 +0.004/0	\$ 28.40
P375-05.250-500B	5-1/4	6	1/2	0.550 +0.015/0	5.250 +0/-0.002	5.252 +0.004/0	6.000 +0.005/0	5.250 +0/-0.005	5.998 +0/-0.002	6.000 +0.004/0	30.34
P375-05.250-500D	5-1/4	6	1/2	0.550 +0.015/0	5.250 +0/-0.002	5.252 +0.004/0	6.000 +0.005/0	5.250 +0/-0.005	5.998 +0/-0.002	6.000 +0.004/0	30.34
P375-05.250-625B	5-1/4	6	5/8	0.688 +0.015/0	5.250 +0/-0.002	5.252 +0.004/0	6.000 +0.005/0	5.250 +0/-0.005	5.998 +0/-0.002	6.000 +0.004/0	30.34
P375-05.250-625D	5-1/4	6	5/8	0.688 +0.015/0	5.250 +0/-0.002	5.252 +0.004/0	6.000 +0.005/0	5.250 +0/-0.005	5.998 +0/-0.002	6.000 +0.004/0	30.34
P375-05.500	5-1/2	6-1/4	3/8	0.412 +0.015/0	5.500 +0/-0.002	5.502 +0.004/0	6.250 +0.005/0	5.500 +0/-0.005	6.248 +0/-0.002	6.250 +0.004/0	29.47
P375-05.500-625B	5-1/2	6-1/4	5/8	0.688 +0.015/0	5.500 +0/-0.002	5.502 +0.004/0	6.250 +0.005/0	5.500 +0/-0.005	6.248 +0/-0.002	6.250 +0.004/0	31.54
P375-05.750	5-3/4	6-1/2	3/8	0.412 +0.015/0	5.750 +0/-0.002	5.752 +0.004/0	6.500 +0.005/0	5.750 +0/-0.005	6.498 +0/-0.002	6.500 +0.004/0	30.64
P375-05.750-625B	5-3/4	6-1/2	5/8	0.688 +0.015/0	5.750 +0/-0.002	5.752 +0.004/0	6.500 +0.005/0	5.750 +0/-0.005	6.498 +0/-0.002	6.500 +0.004/0	34.14
P375-05.750-625D	5-3/4	6-1/2	5/8	0.688 +0.015/0	5.750 +0/-0.002	5.752 +0.004/0	6.500 +0.005/0	5.750 +0/-0.005	6.498 +0/-0.002	6.500 +0.004/0	34.14
P375-06.000	6	6-3/4	3/8	0.412 +0.015/0	6.000 +0/-0.002	6.002 +0.004/0	6.750 +0.005/0	6.000 +0/-0.005	6.748 +0/-0.002	6.750 +0.004/0	33.26
P375-06.000-625B	6	6-3/4	5/8	0.688 +0.015/0	6.000 +0/-0.002	6.002 +0.004/0	6.750 +0.005/0	6.000 +0/-0.005	6.748 +0/-0.002	6.750 +0.004/0	33.74
P375-06.250	6-1/4	7	3/8	0.412 +0.015/0	6.250 +0/-0.002	6.252 +0.004/0	7.000 +0.005/0	6.250 +0/-0.005	6.998 +0/-0.002	7.000 +0.004/0	31.93
P375-06.250-500D	6-1/4	7	1/2	0.550 +0.015/0	6.250 +0/-0.002	6.252 +0.004/0	7.000 +0.005/0	6.250 +0/-0.005	6.998 +0/-0.002	7.000 +0.004/0	34.58
P375-06.250-625B	6-1/4	7	5/8	0.688 +0.015/0	6.250 +0/-0.002	6.252 +0.004/0	7.000 +0.005/0	6.250 +0/-0.005	6.998 +0/-0.002	7.000 +0.004/0	34.58
P375-06.250-625D	6-1/4	7	5/8	0.688 +0.015/0	6.250 +0/-0.002	6.252 +0.004/0	7.000 +0.005/0	6.250 +0/-0.005	6.998 +0/-0.002	7.000 +0.004/0	33.92
P375-06.500	6-1/2	7-1/4	3/8	0.412 +0.015/0	6.500 +0/-0.002	6.502 +0.004/0	7.250 +0.005/0	6.500 +0/-0.005	7.248 +0/-0.002	7.250 +0.004/0	33.05
P375-06.500-625B	6-1/2	7-1/4	5/8	0.688 +0.015/0	6.500 +0/-0.002	6.502 +0.004/0	7.250 +0.005/0	6.500 +0/-0.005	7.248 +0/-0.002	7.250 +0.004/0	35.77
P375-06.750-625B	6-3/4	7-1/2	5/8	0.688 +0.015/0	6.750 +0/-0.002	6.752 +0.004/0	7.500 +0.005/0	6.750 +0/-0.005	7.498 +0/-0.002	7.500 +0.004/0	63.96
P375-07.000-625B	7	7-3/4	5/8	0.688 +0.015/0	7.000 +0/-0.002	7.002 +0.004/0	7.750 +0.005/0	7.000 +0/-0.005	7.748 +0/-0.002	7.750 +0.004/0	38.27
P375-07.250-625B	7-1/4	8	5/8	0.688 +0.015/0	7.250 +0/-0.002	7.252 +0.004/0	8.000 +0.005/0	7.250 +0/-0.005	7.998 +0/-0.002	8.000 +0.004/0	40.96
P375-07.250-625D	7-1/4	8	5/8	0.688 +0.015/0	7.250 +0/-0.002	7.252 +0.004/0	8.000 +0.005/0	7.250 +0/-0.005	7.998 +0/-0.002	8.000 +0.004/0	41.76
P375-07.500	7-1/2	8-1/4	3/8	0.412 +0.015/0	7.500 +0/-0.002	7.502 +0.004/0	8.250 +0.005/0	7.500 +0/-0.005	8.248 +0/-0.002	8.250 +0.004/0	43.71
P375-07.500-625B	7-1/2	8-1/4	5/8	0.688 +0.015/0	7.500 +0/-0.002	7.502 +0.004/0	8.250 +0.005/0	7.500 +0/-0.005	8.248 +0/-0.002	8.250 +0.004/0	44.73
P375-08.000	8	8-3/4	3/8	0.412 +0.015/0	8.000 +0/-0.002	8.002 +0.004/0	8.750 +0.005/0	8.000 +0/-0.005	8.748 +0/-0.002	8.750 +0.004/0	46.97
P375-08.250-625B	8-1/4	9	5/8	0.688 +0.015/0	8.250 +0/-0.002	8.252 +0.004/0	9.000 +0.005/0	8.250 +0/-0.005	8.998 +0/-0.002	9.000 +0.004/0	46.47
P375-08.750	8-3/4	9-1/2	3/8	0.412 +0.015/0	8.750 +0/-0.002	8.752 +0.004/0	9.500 +0.005/0	8.750 +0/-0.005	9.498 +0/-0.002	9.500 +0.004/0	97.23
P375-10.000	10	10-3/4	3/8	0.412 +0.015/0	10.000 +0/-0.002	10.002 +0.004/0	10.750 +0.005/0	10.000 +0/-0.005	10.748 +0/-0.002	10.750 +0.004/0	66.03
1/2" C/S											
P500-01.500	1-1/2	2-1/2	1/2	0.550 +0.015/0	1.500 +0/-0.003	1.502 +0.005/0	2.500 +0.007/0	1.500 +0/-0.007	2.498 +0/-0.003	2.500 +0.005/0	13.83
P500-01.750-750B	1-3/4	2-3/4	3/4	0.825 +0.015/0	1.750 +0/-0.003	1.752 +0.005/0	2.750 +0.007/0	1.750 +0/-0.007	2.748 +0/-0.003	2.750 +0.005/0	18.65
P500-02.000-750B	2	3	3/4	0.825 +0.015/0	2.000 +0/-0.003	2.002 +0.005/0	3.000 +0.007/0	2.000 +0/-0.007	2.998 +0/-0.003	3.000 +0.005/0	18.40
P500-02.500	2-1/2	3-1/2	1/2	0.550 +0.015/0	2.500 +0/-0.003	2.502 +0.005/0	3.500 +0.007/0	2.500 +0/-0.007	3.498 +0/-0.003	3.500 +0.005/0	20.01
P500-02.500-750B	2-1/2	3-1/2	3/4	0.825 +0.015/0	2.500 +0/-0.003	2.502 +0.005/0	3.500 +0.007/0	2.500 +0/-0.007	3.498 +0/-0.003	3.500 +0.005/0	23.08
P500-03.000	3	4	1/2	0.550 +0.015/0	3.000 +0/-0.003	3.002 +0.005/0	4.000 +0.007/0	3.000 +0/-0.007	3.998 +0/-0.003	4.000 +0.005/0	23.33
P500-03.000-750B	3	4	3/4	0.825 +0.015/0	3.000 +0/-0.003	3.002 +0.005/0	4.000 +0.007/0	3.000 +0/-0.007	3.998 +0/-0.003	4.000 +0.005/0	27.98
P500-03.250-750B	3-1/4	4-1/4	3/4	0.825 +0.015/0	3.250 +0/-0.003	3.252 +0.005/0	4.250 +0.007/0	3.250 +0/-0.007	4.248 +0/-0.003	4.250 +0.005/0	32.99
P500-03.500-625	3-1/2	4-1/2	5/8	0.687 +0.015/0	3.500 +0/-0.003	3.502 +0.005/0	4.500 +0.007/0	3.500 +0/-0.007	4.498 +0/-0.003	4.500 +0.005/0	21.94
P500-04.000	4	5	1/2	0.550 +0.015/0	4.000 +0/-0.003	4.002 +0.005/0	5.000 +0.007/0	4.000 +0/-0.007	4.998 +0/-0.003	5.000 +0.005/0	29.91
P500-04.000-750B	4	5	3/4	0.825 +0.015/0	4.000 +0/-0.003	4.002 +0.005/0	5.000 +0.007/0	4.000 +0/-0.007	4.998 +0/-0.003	5.000 +0.005/0	30.79

STYLE 850 POLYURETHANE U-SEALS



Part Number	A NOM. I.D.	B NOM. O.D.	C NOM. HT.	D GROOVE WIDTH	E ROD DIAMETER	F THROAT DIAMETER	G HOUSING DIAMETER	H GROOVE DIAMETER	I PISTON DIAMETER	J BORE DIAMETER	List Price
1/2" C/S											
P500-04.250	4-1/4	5-1/4	1/2	0.550 +0.015/0	4.250 +0/-0.003	4.252 +0.005/0	5.250 +0.007/0	4.250 +0/-0.007	5.248 +0/-0.003	5.250 +0.005/0	\$ 32.96
P500-04.500-750B	4-1/2	5-1/2	3/4	0.825 +0.015/0	4.500 +0/-0.003	4.502 +0.005/0	5.500 +0.007/0	4.500 +0/-0.007	5.498 +0/-0.003	5.500 +0.005/0	37.64
P500-05.000	5	6	1/2	0.550 +0.015/0	5.000 +0/-0.003	5.002 +0.005/0	6.000 +0.007/0	5.000 +0/-0.007	5.998 +0/-0.003	6.000 +0.005/0	36.51
P500-05.000-750B	5	6	3/4	0.825 +0.015/0	5.000 +0/-0.003	5.002 +0.005/0	6.000 +0.007/0	5.000 +0/-0.007	5.998 +0/-0.003	6.000 +0.005/0	40.13
P500-05.500-750B	5-1/2	6-1/2	3/4	0.825 +0.015/0	5.500 +0/-0.003	5.502 +0.005/0	6.500 +0.007/0	5.500 +0/-0.007	6.498 +0/-0.003	6.500 +0.005/0	65.83
P500-06.000	6	7	1/2	0.550 +0.015/0	6.000 +0/-0.003	6.002 +0.005/0	7.000 +0.007/0	6.000 +0/-0.007	6.998 +0/-0.003	7.000 +0.005/0	43.92
P500-06.000-750B	6	7	3/4	0.825 +0.015/0	6.000 +0/-0.003	6.002 +0.005/0	7.000 +0.007/0	6.000 +0/-0.007	6.998 +0/-0.003	7.000 +0.005/0	46.35
P500-07.000	7	8	1/2	0.550 +0.015/0	7.000 +0/-0.003	7.002 +0.005/0	8.000 +0.007/0	7.000 +0/-0.007	7.998 +0/-0.003	8.000 +0.005/0	46.64
P500-07.000-750B	7	8	3/4	0.825 +0.015/0	7.000 +0/-0.003	7.002 +0.005/0	8.000 +0.007/0	7.000 +0/-0.007	7.998 +0/-0.003	8.000 +0.005/0	48.48
P500-07.000-750D	7	8	3/4	0.825 +0.015/0	7.000 +0/-0.003	7.002 +0.005/0	8.000 +0.007/0	7.000 +0/-0.007	7.998 +0/-0.003	8.000 +0.005/0	48.48
P500-08.000	8	9	1/2	0.550 +0.015/0	8.000 +0/-0.003	8.002 +0.005/0	9.000 +0.007/0	8.000 +0/-0.007	8.998 +0/-0.003	9.000 +0.005/0	53.64
P500-08.000-750B	8	9	3/4	0.825 +0.015/0	8.000 +0/-0.003	8.002 +0.005/0	9.000 +0.007/0	8.000 +0/-0.007	8.998 +0/-0.003	9.000 +0.005/0	55.13
P500-09.000	9	10	1/2	0.550 +0.015/0	9.000 +0/-0.003	9.002 +0.005/0	10.000 +0.007/0	9.000 +0/-0.007	9.998 +0/-0.003	10.000 +0.005/0	55.89
5/8" C/S											
P625-02.750	2-3/4	4	5/8	0.688 +0.015/0	2.750 +0/-0.003	2.753 +0.006/0	4.000 +0.007/0	2.750 +0/-0.009	3.997 +0/-0.003	4.000 +0.006/0	\$ 26.08
P625-03.250	3-1/4	4-1/2	5/8	0.688 +0.015/0	3.250 +0/-0.003	3.253 +0.006/0	4.500 +0.007/0	3.250 +0/-0.009	4.497 +0/-0.003	4.500 +0.006/0	30.27
P625-04.750	4-3/4	6	5/8	0.688 +0.015/0	4.750 +0/-0.003	4.753 +0.006/0	6.000 +0.007/0	4.750 +0/-0.009	5.997 +0/-0.003	6.000 +0.006/0	42.60

U-SEALS

DON'T DAMAGE THAT U-SEAL TRY OUR ROD U-SEAL INSTALLATION TOOLS

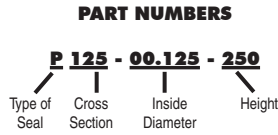
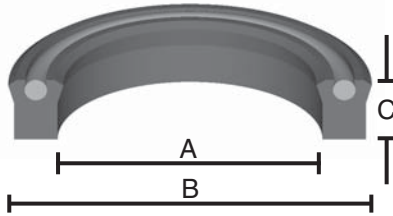
These handy tools aid U-seal installation, eliminating the risk of damaging the seal lip.

Part Number	Seal ID Range	List Price
IT 100	3/4" to 1-1/4"	\$ 65.27
IT 150	1-3/8" to 1-7/8"	65.27
IT 200	2" to 3"	65.27
IT 100-NN	3/4" to 1-1/4"	65.27
IT 150-NN	1-3/8" to 1-7/8"	65.27
IT 200-NN	2" to 3"	65.27

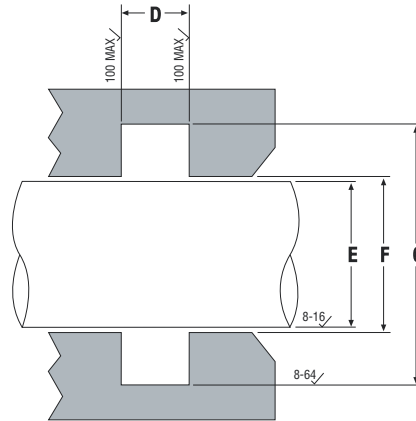
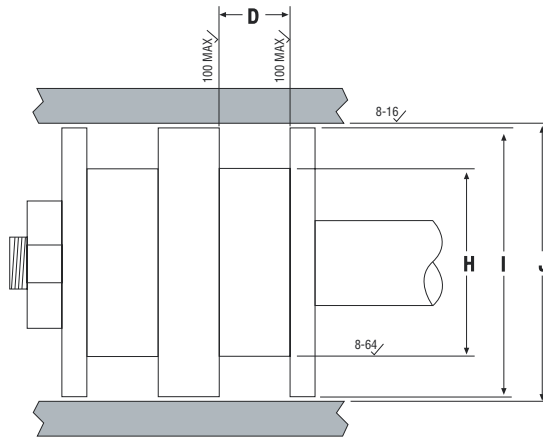


STYLE 850 FLUOROCARBON U-SEALS

Utilizing the same profiles as the Style 850 Polyurethane U-Seals, these u-seals are molded from a fluorocarbon compound. While being compatible with a broader range of fluids, these fluorocarbon seals will also operate continuously at temperatures from -20° to +400° F. **NOTE:** If you are not sure of fluid/seal compatibility, please refer to the fluid compatibility chart in the appendix or contact our Engineering Department.



SEAL INFORMATION	
MATERIAL	90A FLUOROCARBON
TEMPERATURE RANGE	-20° TO +400° F
PRESSURE RANGE	0 TO 2,000 PSI
PART NUMBER	(Prefix)(CS) - (Inside Dia) - (Height)



Standard -
 Height and cross section are equal, thus giving a square seal. Utilizes type "D" lip
 Typical Part Number P250-02.500



Deep -
 Utilizes the same "D" lip, but the seal height is greater than the cross section, thus giving a rectangular shape.
 Typical Part Number P250-02.500-375D



Type B -
 Same dimensions as the Deep seal. Beveled lip design provides better film breaking.
 Utilizes type "B" lip.
 Typical Part Number P250-02.500-375B

Part Number	A NOM. I.D.	B NOM. O.D.	C NOM. HT.	D GROOVE WIDTH	E ROD DIAMETER	F THROAT DIAMETER	G HOUSING DIAMETER	H GROOVE DIAMETER	I PISTON DIAMETER	J BORE DIAMETER	List Price
1/8" C/S											
P125-00.500V	1/2	3/4	1/8	0.138 +0.015/0	0.500 +0/-0.001	0.501 +0.002/0	0.750 +0.002/0	0.500 +0/-0.002	0.749 +0/-0.001	0.750 +0.002/0	\$ 51.71
P125-00.625-SQB	5/8	7/8	1/8	0.138 +0.015/0	0.625 +0/-0.001	0.626 +0.002/0	0.875 +0.002/0	0.625 +0/-0.002	0.874 +0/-0.001	0.875 +0.002/0	22.16
P156-01.000-SQB	1	1-5/16	5/32	0.172 +0.015/0	1.000 +0/-0.001	1.001 +0.002/0	1.312 +0.002/0	1.000 +0/-0.002	1.311 +0/-0.001	1.312 +0.002/0	28.51
P156-01.375-SQB	1-3/8	1-11/16	5/32	0.172 +0.015/0	1.375 +0/-0.001	1.376 +0.002/0	1.687 +0.002/0	1.375 +0/-0.002	1.686 +0/-0.001	1.687 +0.002/0	33.12
P187-01.750-SQB	1-3/4	2-1/8	3/16	0.206 +0.015/0	1.750 +0/-0.001	1.751 +0.002/0	2.125 +0.002/0	1.750 +0/-0.002	2.124 +0/-0.002	2.125 +0.002/0	35.94
P187-02.000-SQB	2	2-3/8	3/16	0.206 +0.015/0	2.000 +0/-0.002	2.001 +0.002/0	2.375 +0.002/0	2.000 +0/-0.002	2.374 +0/-0.002	2.375 +0.002/0	37.91
P218-02.500-SQB	2-1/2	2-15/16	7/32	0.241 +0.015/0	2.500 +0/-0.002	2.501 +0.003/0	2.937 +0.003/0	2.500 +0/-0.003	2.936 +0/-0.003	2.937 +0.002/0	58.18
P218-03.000-SQB	3	3-7/16	7/32	0.241 +0.015/0	3.000 +0/-0.002	3.001 +0.003/0	3.437 +0.003/0	3.000 +0/-0.003	3.436 +0/-0.003	3.437 +0.002/0	66.55
P250-00.750V	3/4	1-1/4	1/4	0.281 +0.015/0	0.750 +0/-0.001	0.751 +0.002/0	1.250 +0.002/0	0.750 +0/-0.002	1.249 +0/-0.001	0.875 +0.002/0	32.83

STYLE 850 FLUOROCARBON U-SEALS

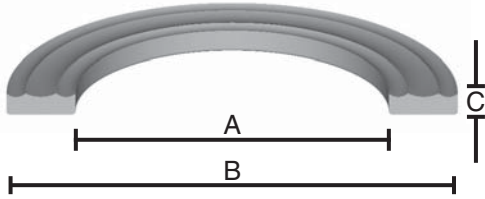


Part Number	A NOM. I.D.	B NOM. O.D.	C NOM. HT.	D GROOVE WIDTH	E ROD DIAMETER	F THROAT DIAMETER	G HOUSING DIAMETER	H GROOVE DIAMETER	I PISTON DIAMETER	J BORE DIAMETER	List Price
1/8" C/S											
P250-03.500-312BV	3-1/2	4	5/16	0.344 +0.015/0	3.500 +0/-0.002	3.501 +0.003/0	4.000 +0.003/0	3.500 +0/-0.003	3.999 +0/-0.002	4.000 +0.003/0	\$ 84.10
P250-03.500-SQBV	3-1/2	4	1/4	0.275 +0.015/0	3.500 +0/-0.002	3.501 +0.003/0	4.000 +0.003/0	3.500 +0/-0.003	3.999 +0/-0.002	4.000 +0.003/0	76.83
P250-04.000-312BV	4	4-1/2	5/16	0.344 +0.015/0	4.000 +0/-0.002	4.001 +0.003/0	4.500 +0.003/0	4.000 +0/-0.003	4.499 +0/-0.002	4.500 +0.003/0	94.63
P250-04.000-SQBV	4	4-1/2	1/4	0.275 +0.015/0	4.000 +0/-0.002	4.001 +0.003/0	4.500 +0.003/0	4.000 +0/-0.003	4.499 +0/-0.002	4.500 +0.003/0	86.42
P250-04.500-312BV	4-1/2	5	5/16	0.344 +0.015/0	4.500 +0/-0.002	4.501 +0.003/0	5.000 +0.003/0	4.500 +0/-0.003	4.999 +0/-0.002	5.000 +0.003/0	104.12
P250-04.500-SQBV	4-1/2	5	1/4	0.275 +0.015/0	4.500 +0/-0.002	4.501 +0.003/0	5.000 +0.003/0	4.500 +0/-0.003	4.999 +0/-0.002	5.000 +0.003/0	102.11
9/32" C/S											
P281-05.000-343BV	5	5-9/16	11/32	0.378 +0.015/0	5.000 +0/-0.002	5.001 +0.003/0	5.563 +0.003/0	5.000 +0/-0.003	5.561 +0/-0.002	5.563 +0.003/0	\$110.86
P281-05.000-SQBV	5	5-9/16	9/32	0.309 +0.015/0	5.000 +0/-0.002	5.001 +0.003/0	5.563 +0.003/0	5.000 +0/-0.003	5.561 +0/-0.002	5.563 +0.003/0	101.23
5/16" C/S											
P312-05.500-375BV	5-1/2	6-1/8	3/8	0.413 +0.015/0	5.500 +0/-0.002	5.502 +0.003/0	6.125 +0.004/0	5.500 +0/-0.004	6.123 +0/-0.002	6.125 +0.003/0	\$154.66
P312-05.500-SQBV	5-1/2	6-1/8	5/16	0.343 +0.015/0	5.500 +0/-0.002	5.502 +0.003/0	6.125 +0.004/0	5.500 +0/-0.004	6.123 +0/-0.002	6.125 +0.003/0	138.52

U-SEALS

STYLE 855 PRC RINGS

Used as a companion to our "B" lip configured Style 850 u-seal, Style 855 PRC rings convert a uni-directional u-seal into a bi-directional seal. **NOTE:** Height dimension is the increase in groove width required.



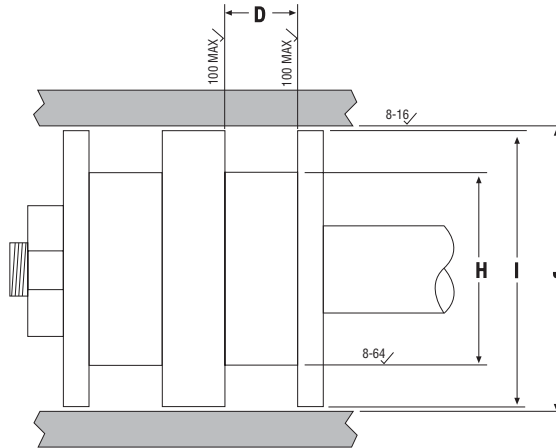
PART NUMBERS

PRC 125 - 01.000

Type of Seal Cross Section Inside Diameter



SEAL INFORMATION	
MATERIAL	95A URETHANE
TEMPERATURE RANGE	-40° TO +200° F
PRESSURE RANGE	0 TO 5,000 PSI
PART NUMBER	(Prefix)(CS) - (Inside Dia)



U-SEALS

PRC PART NUMBER	ACCOMPANYING STYLE 850 PART NUMBER	A NOM. I.D.	B NOM. O.D.	C NOM. HT.	D GROOVE WIDTH W/ STYLE 850	H GROOVE DIAMETER	I PISTON DIAMETER	J BORE DIAMETER	List Price
1/8" C/S									
PRC125-01.000	P125-01.000-156B	1	1-1/4	.065	0.237 +0.015/0	1.000 +0/-0.002	1.249 +0/-0.001	1.250 +0.002/0	\$ 4.74
	P125-01.000-187B	1	1-1/4	.065	0.271 +0.015/0	1.000 +0/-0.002	1.249 +0/-0.001	1.250 +0.002/0	
	P125-01.000-250B	1	1-1/4	.065	0.340 +0.015/0	1.000 +0/-0.002	1.249 +0/-0.001	1.250 +0.002/0	
PRC125-01.250	P125-01.250-187B	1-1/4	1-1/2	.065	0.271 +0.015/0	1.250 +0/-0.002	1.499 +0/-0.001	1.500 +0.002/0	5.14
	P125-01.250-250B	1-1/4	1-1/2	.065	0.340 +0.015/0	1.250 +0/-0.002	1.499 +0/-0.001	1.500 +0.002/0	
3/16" C/S									
PRC187-01.125	P187-01.125-187B	1-1/8	1-1/2	.109	0.315 +0.015/0	1.125 +0/-0.002	1.499 +0/-0.002	1.500 +0.002/0	\$ 5.08
	P187-01.125-312B	1-1/8	1-1/2	.109	0.453 +0.015/0	1.125 +0/-0.002	1.499 +0/-0.002	1.500 +0.002/0	
PRC187-01.375	P187-01.375-312B	1-3/8	1-3/4	.109	0.453 +0.015/0	1.375 +0/-0.002	1.749 +0/-0.002	1.750 +0.002/0	5.60
PRC187-01.500	P187-01.500-187B	1-1/2	1-7/8	.109	0.315 +0.015/0	1.500 +0/-0.002	1.874 +0/-0.002	1.875 +0.002/0	6.12
	P187-01.500-375B	1-1/2	1-7/8	.109	0.522 +0.015/0	1.500 +0/-0.002	1.874 +0/-0.002	1.875 +0.002/0	
PRC187-01.625	P187-01.625-312B	1-5/8	2	.109	0.453 +0.015/0	1.625 +0/-0.002	1.999 +0/-0.002	2.000 +0.002/0	5.95
	P187-01.625-375B	1-5/8	2	.109	0.522 +0.015/0	1.625 +0/-0.002	1.999 +0/-0.002	2.000 +0.002/0	
PRC187-01.750	P187-01.750-230B	1-3/4	2-1/8	.109	0.362 +0.015/0	1.750 +0/-0.002	2.124 +0/-0.002	2.125 +0.002/0	6.46
	P187-01.750-312B	1-3/4	2-1/8	.109	0.453 +0.015/0	1.750 +0/-0.002	2.124 +0/-0.002	2.125 +0.002/0	

STYLE 855 PRC RINGS



PRC PART NUMBER	ACCOMPANYING STYLE 850 PART NUMBER	A NOM. I.D.	B NOM. O.D.	C NOM. HT.	D GROOVE WIDTH W/ STYLE 850	H GROOVE DIAMETER	I PISTON DIAMETER	J BORE DIAMETER	List Price
3/16" C/S									
	P187-01.750-375B	1-3/4	2-1/8	.109	0.522 +0.015/0	1.750 +0/-0.002	2.124 +0/-0.002	2.125 +0.002/0	
PRC187-02.375	P187-02.375-375B	2-3/8	2-3/4	.109	0.522 +0.015/0	2.375 +0/-0.002	2.749 +0/-0.002	2.750 +0.002/0	\$ 6.89
PRC187-02.625	P187-02.625-375B	2-5/8	3	.109	0.522 +0.015/0	2.625 +0/-0.002	2.999 +0/-0.002	3.000 +0.002/0	7.28
PRC187-03.000	P187-03.000-375B	3	3-3/8	.109	0.522 +0.015/0	3.000 +0/-0.002	3.374 +0/-0.002	3.375 +0.002/0	8.53
PRC187-03.125	P187-03.125-187B	3-1/8	3-1/2	.109	0.315 +0.015/0	3.125 +0/-0.002	3.499 +0/-0.002	3.500 +0.002/0	8.54
	P187-03.125-375B	3-1/8	3-1/2	.109	0.522 +0.015/0	3.125 +0/-0.002	3.499 +0/-0.002	3.500 +0.002/0	
PRC187-03.625	P187-03.625-375B	3-5/8	4	.109	0.522 +0.015/0	3.625 +0/-0.002	3.999 +0/-0.002	4.000 +0.002/0	10.52
1/4" C/S									
PRC250-01.000	P250-01.000-375B	1	1-1/2	.137	0.522 +0.015/0	1.000 +0/-0.003	1.499 +0/-0.002	1.500 +0.003/0	\$ 5.48
PRC250-01.500	P250-01.500-250B	1-1/2	2	.137	0.412 +0.015/0	1.500 +0/-0.003	1.999 +0/-0.002	2.000 +0.003/0	6.61
	P250-01.500-375B	1-1/2	2	.137	0.550 +0.015/0	1.500 +0/-0.003	1.999 +0/-0.002	2.000 +0.003/0	
PRC250-01.750	P250-01.750-375B	1-3/4	2-1/4	.137	0.550 +0.015/0	1.750 +0/-0.003	2.249 +0/-0.002	2.250 +0.003/0	7.74
PRC250-02.000	P250-02.000-250B	2	2-1/2	.137	0.412 +0.015/0	2.000 +0/-0.003	2.499 +0/-0.002	2.500 +0.003/0	8.09
	P250-02.000-375B	2	2-1/2	.137	0.550 +0.015/0	2.000 +0/-0.003	2.499 +0/-0.002	2.500 +0.003/0	
PRC250-02.250	P250-02.250-375B	2-1/4	2-3/4	.137	0.550 +0.015/0	2.250 +0/-0.003	2.749 +0/-0.002	2.750 +0.003/0	9.42
	P250-02.500-375B	2-1/2	3	.137	0.550 +0.015/0	2.500 +0/-0.003	2.999 +0/-0.002	3.000 +0.003/0	
PRC250-02.500	P250-02.500-375B	2-1/2	3	.137	0.550 +0.015/0	2.500 +0/-0.002	2.999 +0/-0.001	3.000 +0.002/0	9.73
PRC250-02.750	P250-02.750-375B	2-3/4	3-1/4	.137	0.550 +0.015/0	2.750 +0/-0.003	3.249 +0/-0.002	3.250 +0.003/0	10.20
PRC250-03.000	P250-03.000-375B	3	3-1/2	.137	0.550 +0.015/0	3.000 +0/-0.003	3.499 +0/-0.002	3.500 +0.003/0	11.34
PRC250-03.250	P250-03.250-375B	3-1/4	3-3/4	.137	0.550 +0.015/0	3.250 +0/-0.003	3.749 +0/-0.002	3.750 +0.003/0	12.83
PRC250-03.500	P250-03.500-375B	3-1/2	4	.137	0.550 +0.015/0	3.500 +0/-0.003	3.999 +0/-0.002	4.000 +0.003/0	13.05
PRC250-04.000	P250-04.000-375B	4	4-1/2	.137	0.550 +0.015/0	4.000 +0/-0.003	4.499 +0/-0.002	4.500 +0.003/0	14.68
	P250-04.000-562B	4	4-1/2	.137	0.756 +0.015/0	4.000 +0/-0.003	4.499 +0/-0.002	4.500 +0.003/0	
PRC250-04.250	P250-04.250-375B	4-1/4	4-3/4	.137	0.550 +0.015/0	4.250 +0/-0.003	4.749 +0/-0.002	4.750 +0.003/0	16.45
	P250-04.250-562B	4-1/4	4-3/4	.137	0.756 +0.015/0	4.250 +0/-0.003	4.749 +0/-0.002	4.750 +0.003/0	
PRC250-04.500	P250-04.500-375B	4-1/2	5	.137	0.550 +0.015/0	4.500 +0/-0.003	4.999 +0/-0.002	5.000 +0.003/0	16.31
	P250-04.500-562B	4-1/2	5	.137	0.756 +0.015/0	4.500 +0/-0.003	4.999 +0/-0.002	5.000 +0.003/0	
PRC250-05.000	P250-05.000-375B	5	5-1/2	.137	0.550 +0.015/0	5.000 +0/-0.003	5.499 +0/-0.002	5.500 +0.003/0	17.94
	P250-05.000-562B	5	5-1/2	.137	0.756 +0.015/0	5.000 +0/-0.003	5.499 +0/-0.002	5.500 +0.003/0	
PRC250-05.500	P250-05.500-375B	5-1/2	6	.137	0.550 +0.015/0	5.500 +0/-0.003	5.999 +0/-0.002	6.000 +0.003/0	26.34
	P250-05.500-562B	5-1/2	6	.137	0.756 +0.015/0	5.500 +0/-0.003	5.999 +0/-0.002	6.000 +0.003/0	
PRC250-06.000	P250-06.000-375B	6	6-1/2	.137	0.550 +0.015/0	6.000 +0/-0.003	6.499 +0/-0.002	6.500 +0.003/0	26.69
	P250-06.000-562B	6	6-1/2	.137	0.756 +0.015/0	6.000 +0/-0.003	6.499 +0/-0.002	6.500 +0.003/0	
PRC250-06.500	P250-06.500-375B	6-1/2	7	.137	0.550 +0.015/0	6.500 +0/-0.003	6.999 +0/-0.002	7.000 +0.003/0	28.41
	P250-06.500-562B	6-1/2	7	.137	0.756 +0.015/0	6.500 +0/-0.003	6.999 +0/-0.002	7.000 +0.003/0	
5/16" C/S									
PRC312-02.375	P312-02.375-500B	2-3/8	3	.160	0.715 +0.015/0	2.375 +0/-0.004	2.998 +0/-0.002	3.000 +0.003/0	\$ 11.15
PRC312-03.375	P312-03.375-500B	3-3/8	4	.160	0.715 +0.015/0	3.375 +0/-0.004	3.998 +0/-0.002	4.000 +0.003/0	15.14
PRC312-04.375	P312-04.375-562B	4-3/8	5	.160	0.756 +0.015/0	4.375 +0/-0.002	4.998 +0/-0.001	4.375 +0.002/0	19.53

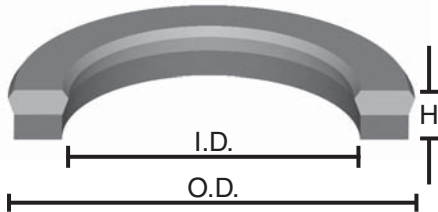

STYLE 855 PRC RINGS

PRC PART NUMBER	ACCOMPANYING STYLE 850 PART NUMBER	A NOM. I.D.	B NOM. O.D.	C NOM. HT.	D GROOVE WIDTH W/ STYLE 850	H GROOVE DIAMETER	I PISTON DIAMETER	J BORE DIAMETER	List Price
3/8" C/S									
PRC375-02.750	P375-02.750-625B	2-3/4	3-1/2	.207	0.895 +0.015/0	2.750 +0/-0.005	3.498 +0/-0.002	3.500 +0.004/0	\$ 15.84
PRC375-03.250	P375-03.250-625B	3-1/4	4	.207	0.895 +0.015/0	3.250 +0/-0.005	3.998 +0/-0.002	4.000 +0.004/0	20.09
PRC375-03.500	P375-03.500-625B	3-1/2	4-1/4	.207	0.895 +0.015/0	3.500 +0/-0.005	4.248 +0/-0.002	4.250 +0.004/0	22.91
	P375-03.750-625B	3-3/4	4-1/2	.207	0.895 +0.015/0	3.750 +0/-0.005	4.498 +0/-0.002	4.500 +0.004/0	22.74
PRC375-04.250	P375-04.250-375B	4-1/4	5	.207	0.620 +0.015/0	4.250 +0/-0.005	4.998 +0/-0.002	5.000 +0.004/0	25.69
	P375-04.250-625B	4-1/4	5	.207	0.895 +0.015/0	4.250 +0/-0.005	4.998 +0/-0.002	5.000 +0.004/0	
PRC375-05.250	P375-05.250-625B	5-1/4	6	.207	0.895 +0.015/0	5.250 +0/-0.005	5.998 +0/-0.002	6.000 +0.004/0	31.19
PRC375-05.500	P375-05.500-625B	5-1/2	6-1/4	.207	0.895 +0.015/0	5.500 +0/-0.005	6.248 +0/-0.002	6.250 +0.004/0	32.33
PRC375-06.250	P375-06.250-625B	6-1/4	7	.207	0.895 +0.015/0	6.250 +0/-0.005	6.998 +0/-0.002	7.000 +0.004/0	35.04
PRC375-07.250	P375-07.250-625B	7-1/4	8	.207	0.895 +0.015/0	7.250 +0/-0.005	7.998 +0/-0.002	8.000 +0.004/0	41.85
1/2" C/S									
PRC500-08.000	P500-08.000-750B	8	9	.275	1.100 +0.015/0	8.000 +0/-0.007	8.998 +0/-0.003	9.000 +0.005/0	\$ 58.20
PRC500-09.000	P500-09.000-750B	9	10	.275	1.100 +0.015/0	9.000 +0/-0.007	9.998 +0/-0.003	10.000 +0.005/0	64.84

STYLE UFN-P SYMMETRICAL PLAIN SEALS



Incorporating a rubber seal lip and a rubberized fabric heel, this seal provides excellent sealability and high strength.



SEAL INFORMATION

MATERIAL	RUBBER & FABRIC
TEMPERATURE RANGE	-22° TO +212° F
PRESSURE RANGE	0 TO 2,900 PSI
PART NUMBER	(Prefix)(CS) - (Inside Dia) - (Height)

Part Number	I.D.	O.D.	H.	List Price
1/8" C/S				
UFN12-0.50-18P	1/2	3/4	3/16	\$ 4.44
UFN12-0.62-18P	5/8	7/8	3/16	4.44
UFN12-0.75-18P	3/4	1	3/16	4.44
UFN12-0.87-15P	7/8	1-1/8	5/32	4.66
UFN12-1.00-18P	1	1-1/4	3/16	4.88
UFN12-1.12-18P	1-1/8	1-3/8	3/16	4.88
UFN12-1.25-18P	1-1/4	1-1/2	3/16	6.60
UFN12-1.25-25P	1-1/4	1-1/2	1/4	11.25
UFN12-1.50-18P	1-1/2	1-3/4	3/16	7.28
5/32" C/S				
UFN15-0.25-25P	1/4	9/16	1/4	\$ 5.23
UFN15-0.31-25P	5/16	5/8	1/4	4.44
0.16" C/S				
UFN16-0.18-25P	3/16	1/2	1/4	\$ 8.65
3/16" C/S				
UFN18-0.50-28P	1/2	7/8	9/32	\$ 4.44
UFN18-0.62-28P	5/8	1	9/32	4.44
UFN18-0.75-31P	3/4	1-1/8	5/16	5.92
UFN18-0.87-37P	7/8	1-1/4	3/8	6.26
UFN18-1.00-25P	1	1-3/8	1/4	5.01
UFN18-1.12-21P	1-1/8	1-1/2	7/32	6.93
UFN18-1.25-25P	1-1/4	1-5/8	1/4	5.11
UFN18-1.25-28P	1-1/4	1-5/8	.9/32	5.11
UFN18-1.37-28P	1-3/8	1-3/4	9/32	5.36
UFN18-1.50-17P	1-1/2	1-7/8	0.170	5.92
UFN18-1.50-25P	1-1/2	1-7/8	1/4	5.57
UFN18-1.75-17P	1-3/4	2-1/8	0.170	7.15
UFN18-1.75-28P	1-3/4	2-1/8	9/32	6.60

Part Number	I.D.	O.D.	H.	List Price
3/16" C/S				
UFN18-2.25-17P	2-1/4	2-5/8	0.170	\$ 9.79
UFN18-2.25-25P	2-1/4	2-5/8	1/4	10.91
UFN18-3.00-31P	3	3-3/8	5/16	11.38
0.22" C/S				
UFN22-0.56-28P	9/16	1	9/32	\$ 5.57
1/4" C/S				
UFN25-0.62-37P	5/8	1-1/8	3/8	\$ 5.69
UFN25-0.75-31P	3/4	1-1/4	5/16	4.88
UFN25-0.75-37P	3/4	1-1/4	3/8	4.88
UFN25-0.87-37P	7/8	1-3/8	3/8	5.01
UFN25-1.00-25P	1	1-1/2	1/4	5.01
UFN25-1.12-37P	1-1/8	1-5/8	3/8	5.92
UFN25-1.25-28P	1-1/4	1-3/4	9/32	5.35
UFN25-1.25-37P	1-1/4	1-3/4	3/8	5.35
UFN25-1.50-28P	1-1/2	2	9/32	6.20
UFN25-1.50-37P	1-1/2	2	3/8	6.03
UFN25-1.75-37P	1-3/4	2-1/4	3/8	7.15
UFN25-2.00-31P	2	2-1/2	5/16	9.10
UFN25-2.00-37P	2	2-1/2	3/8	8.31
UFN25-2.25-37P	2-1/4	2-3/4	3/8	10.60
UFN25-2.50-31P	2-1/2	3	5/16	9.10
UFN25-3.00-37P	3	3-1/2	3/8	10.69
5/16" C/S				
UFN31-0.87-37P	7/8	1-1/2	3/8	\$ 7.15
UFN31-1.00-43P	1	1-5/8	7/16	5.11
UFN31-1.12-43P	1-1/8	1-3/4	7/16	5.35
UFN31-1.25-31P	1-1/4	1-7/8	5/16	7.06

STYLE UFN-P SYMMETRICAL PLAIN SEALS

U-SEALS

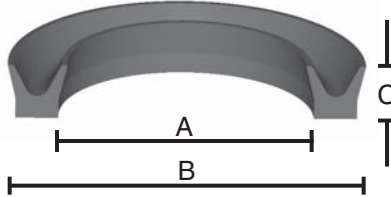
Part Number	I.D.	O.D.	H.	List Price
5/16" C/S				
UFN31-1.25-43P	1-1/4	1-7/8	7/16	\$ 5.46
UFN31-1.37-37P	1-3/8	2	3/8	6.26
UFN31-1.37-43P	1-3/8	2	7/16	6.03
UFN31-1.50-31P	1-1/2	2-1/8	5/16	10.26
UFN31-1.50-46P	1-1/2	2-1/8	0.460	7.15
UFN31-1.62-43P	1-5/8	2-1/4	7/16	8.31
UFN31-1.75-43P	1-3/4	2-3/8	7/16	7.60
UFN31-1.87-43P	1-7/8	2-1/2	7/16	9.22
UFN31-1.87-37P	1-7/8	2-1/2	3/8	9.43
UFN31-2.00-43P	2	2-5/8	7/16	8.31
UFN31-2.12-37P	2-1/8	2-3/4	3/8	8.53
UFN31-2.37-46P	2-3/8	3	0.460	10.37
3/8" C/S				
UFN37-1.50-47P	1-1/2	2-1/4	0.470	\$ 9.10
UFN37-1.75-50P	1-3/4	2-1/2	1/2	10.45
UFN37-2.00-43P	2	2-3/4	7/16	10.26
UFN37-2.00-56P	2	2-3/4	9/16	9.10
UFN37-2.12-56P	2-1/8	2-7/8	9/16	8.98
UFN37-2.25-37P	2-1/4	3	3/8	10.37

Part Number	I.D.	O.D.	H.	List Price
3/8" C/S				
UFN37-2.25-50P	2-1/4	3	1/2	\$ 9.89
UFN37-2.25-56P	2-1/4	3	9/16	9.10
UFN37-2.50-37P	2-1/2	3-1/4	3/8	11.95
UFN37-2.50-56P	2-1/2	3-1/4	9/16	10.45
UFN37-2.75-37P	2-3/4	3-1/2	3/8	14.10
UFN37-2.75-56P	2-3/4	3-1/2	9/16	12.64
UFN37-3.00-50P	3	3-3/4	1/2	11.49
UFN37-3.00-56P	3	3-3/4	9/16	11.60
UFN37-3.25-50P	3-1/4	4	1/2	13.19
UFN37-3.25-56P	3-1/4	4	9/16	13.87
UFN37-3.50-56P	3-1/2	4-1/4	9/16	14.45
1/2" C/S				
UFN50-3.00-62P	3	4	5/8	\$ 12.30
UFN50-4.00-75P	4	5	3/4	18.43
UFN50-4.50-75P	4-1/2	5-1/2	3/4	28.69
UFN50-6.00-75P	6	7	3/4	63.15
0.59" C/S				
UFN59-1.81-100P	1.81	3	1	\$ 21.05

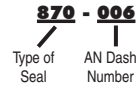
STYLE 870 HOMOGENEOUS U-SEALS



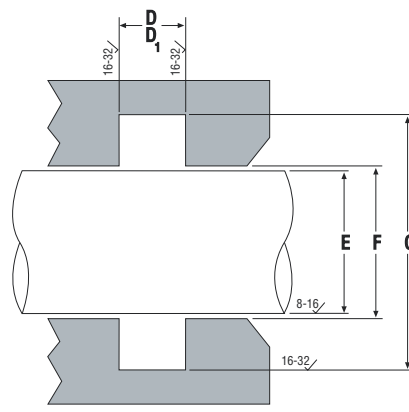
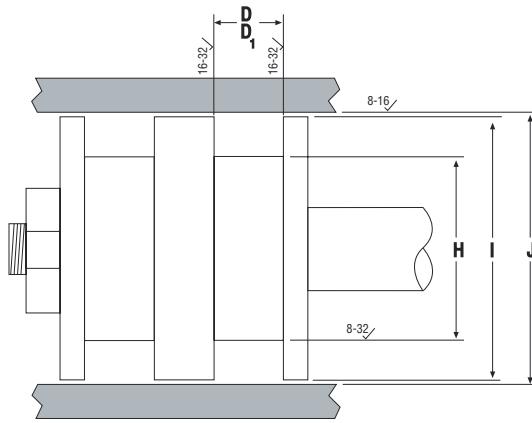
Style 870 u-seals are precision molded from Buna-N synthetic rubber. Style 870 u-seal numbers conform in size to Army-Navy specification AN6226.



PART NUMBERS



SEAL INFORMATION	
MATERIAL	70A BUNA-N RUBBER
TEMPERATURE RANGE	-40° TO +240° F
PRESSURE RANGE	0 TO 500 PSI
PART NUMBER	(Prefix) - (A-N Dash Number)



U-SEALS

Part Number	A NOM. I.D.	B NOM. O.D.	C NOM. HT.	D GROOVE W/O BU	D1 GROOVE W/ BU	E ROD DIAMETER	F THROAT DIAMETER	G HOUSING DIAMETER	H GROOVE DIAMETER	I PISTON DIAMETER	J BORE DIAMETER	List Price
870-006	0.125	0.250	0.063	0.094 ±0.010	0.156 ±0.010	0.125 +0/-0.001	0.126 +0.001/0	0.250 +0.002/0	0.125 +0/-0.001	0.249 +0/-0.001	0.250 +0.002/0	\$ 0.91
870-01	0.125	0.500	0.188	0.218 ±0.010	0.280 ±0.010	0.125 +0/-0.001	0.126 +0.002/0	0.500 +0.002/0	0.125 +0/-0.002	0.498 +0/-0.001	0.500 +0.003/0	1.46
870-02	0.188	0.563	0.188	0.218 ±0.010	0.280 ±0.010	0.187 +0/-0.001	0.188 +0.002/0	0.562 +0.002/0	0.187 +0/-0.002	0.560 +0/-0.001	0.562 +0.003/0	1.46
870-03	0.250	0.625	0.188	0.218 ±0.010	0.280 ±0.010	0.250 +0/-0.001	0.251 +0.002/0	0.625 +0.002/0	0.250 +0/-0.002	0.623 +0/-0.001	0.625 +0.003/0	1.52
870-04	0.312	0.688	0.188	0.218 ±0.010	0.280 ±0.010	0.312 +0/-0.001	0.312 +0.002/0	0.687 +0.002/0	0.312 +0/-0.002	0.685 +0/-0.001	0.687 +0.003/0	1.52
870-05	0.375	0.750	0.188	0.218 ±0.010	0.280 ±0.010	0.375 +0/-0.001	0.376 +0.002/0	0.750 +0.002/0	0.375 +0/-0.002	0.748 +0/-0.001	0.750 +0.003/0	1.52
870-06	0.438	0.813	0.188	0.218 ±0.010	0.280 ±0.010	0.437 +0/-0.001	0.438 +0.002/0	0.812 +0.002/0	0.437 +0/-0.002	0.810 +0/-0.001	0.812 +0.003/0	1.69
870-07	0.500	0.875	0.188	0.218 ±0.010	0.280 ±0.010	0.500 +0/-0.001	0.501 +0.002/0	0.875 +0.002/0	0.500 +0/-0.002	0.873 +0/-0.001	0.875 +0.003/0	1.75
870-08	0.250	0.750	0.250	0.281 ±0.010	0.343 ±0.010	0.250 +0/-0.002	0.251 +0.003/0	0.750 +0.003/0	0.250 +0/-0.003	0.748 +0/-0.001	0.750 +0.003/0	1.85
870-09	0.312	0.813	0.250	0.281 ±0.010	0.343 ±0.010	0.312 +0/-0.002	0.312 +0.003/0	0.812 +0.003/0	0.312 +0/-0.003	0.810 +0/-0.001	0.812 +0.003/0	1.85
870-10	0.375	0.875	0.250	0.281 ±0.010	0.343 ±0.010	0.375 +0/-0.002	0.376 +0.003/0	0.875 +0.003/0	0.375 +0/-0.003	0.873 +0/-0.001	0.875 +0.003/0	1.85
870-11	0.438	0.938	0.250	0.281 ±0.010	0.343 ±0.010	0.437 +0/-0.002	0.438 +0.003/0	0.937 +0.003/0	0.437 +0/-0.003	0.935 +0/-0.001	0.937 +0.003/0	1.85
870-12	0.500	1.000	0.250	0.281 ±0.010	0.343 ±0.010	0.500 +0/-0.002	0.501 +0.003/0	1.000 +0.003/0	0.500 +0/-0.003	0.998 +0/-0.001	1.000 +0.003/0	1.98
870-13	0.563	1.062	0.250	0.281 ±0.010	0.343 ±0.010	0.562 +0/-0.002	0.563 +0.003/0	1.062 +0.003/0	0.562 +0/-0.003	1.060 +0/-0.001	1.062 +0.003/0	1.98
870-134	2.500	3.000	0.250	0.281 ±0.010	0.343 ±0.010	2.500 +0/-0.002	2.502 +0.003/0	3.000 +0.003/0	2.500 +0/-0.003	2.998 +0/-0.002	3.000 +0.003/0	3.22
870-14	0.625	1.125	0.250	0.281 ±0.010	0.343 ±0.010	0.625 +0/-0.002	0.626 +0.003/0	1.125 +0.003/0	0.625 +0/-0.003	1.123 +0/-0.001	1.125 +0.003/0	1.98
870-15	0.688	1.188	0.250	0.281 ±0.010	0.343 ±0.010	0.687 +0/-0.002	0.688 +0.003/0	1.187 +0.003/0	0.687 +0/-0.003	1.185 +0/-0.001	1.187 +0.003/0	1.98
870-16	0.750	1.250	0.250	0.281 ±0.010	0.343 ±0.010	0.750 +0/-0.002	0.751 +0.003/0	1.250 +0.003/0	0.750 +0/-0.003	1.248 +0/-0.001	1.250 +0.003/0	2.12
870-17	0.813	1.312	0.250	0.281 ±0.010	0.343 ±0.010	0.812 +0/-0.002	0.813 +0.003/0	1.312 +0.003/0	0.812 +0/-0.003	1.310 +0/-0.001	1.312 +0.003/0	2.12
870-18	0.875	1.375	0.250	0.281 ±0.010	0.343 ±0.010	0.875 +0/-0.002	0.876 +0.003/0	1.375 +0.003/0	0.875 +0/-0.003	1.373 +0/-0.001	1.375 +0.003/0	2.12

STYLE 870 HOMOGENEOUS U-SEALS

U-SEALS

Part Number	A NOM. I.D.	B NOM. O.D.	C NOM. HT.	D GROOVE W/O BU	D1 GROOVE W/ BU	E ROD DIAMETER	F THROAT DIAMETER	G HOUSING DIAMETER	H GROOVE DIAMETER	I PISTON DIAMETER	J BORE DIAMETER	List Price
870-19	0.938	1.438	0.250	0.281 ±0.010	0.343 ±0.010	0.937 +0/-0.002	0.938 +0.003/0	1.437 +0.003/0	0.937 +0/-0.003	1.435 +0/-0.001	1.437 +0.003/0	\$ 2.12
870-20	1.000	1.500	0.250	0.281 ±0.010	0.343 ±0.010	1.000 +0/-0.002	1.001 +0.003/0	1.500 +0.003/0	1.000 +0/-0.003	1.498 +0/-0.001	1.500 +0.003/0	2.21
870-21	1.062	1.563	0.250	0.281 ±0.010	0.343 ±0.010	1.062 +0/-0.002	1.063 +0.003/0	1.562 +0.003/0	1.062 +0/-0.003	1.560 +0/-0.001	1.562 +0.003/0	2.27
870-22	1.125	1.625	0.250	0.281 ±0.010	0.343 ±0.010	1.125 +0/-0.002	1.126 +0.003/0	1.625 +0.003/0	1.125 +0/-0.003	1.623 +0/-0.001	1.625 +0.003/0	2.27
870-23	1.188	1.688	0.250	0.281 ±0.010	0.343 ±0.010	1.187 +0/-0.002	1.188 +0.003/0	1.687 +0.003/0	1.187 +0/-0.003	1.685 +0/-0.001	1.687 +0.003/0	2.27
870-24	1.250	1.750	0.250	0.281 ±0.010	0.343 ±0.010	1.250 +0/-0.002	1.251 +0.003/0	1.750 +0.003/0	1.250 +0/-0.003	1.748 +0/-0.001	1.750 +0.003/0	2.27
870-25	1.250	1.875	0.312	0.344 ±0.010	0.406 ±0.010	1.250 +0/-0.001	1.252 +0.003/0	1.875 +0.004/0	1.250 +0/-0.004	1.873 +0/-0.002	1.875 +0.003/0	2.44
870-26	1.375	2.000	0.312	0.344 ±0.010	0.406 ±0.010	1.375 +0/-0.002	1.377 +0.003/0	2.000 +0.004/0	1.375 +0/-0.004	1.998 +0/-0.001	2.000 +0.003/0	2.60
870-27	1.500	2.125	0.312	0.344 ±0.010	0.406 ±0.010	1.500 +0/-0.002	1.502 +0.003/0	2.125 +0.004/0	1.500 +0/-0.004	2.123 +0/-0.001	2.125 +0.003/0	2.68
870-28	1.625	2.250	0.312	0.344 ±0.010	0.406 ±0.010	1.625 +0/-0.002	1.627 +0.003/0	2.250 +0.004/0	1.625 +0/-0.004	2.248 +0/-0.001	2.250 +0.003/0	2.72
870-29	1.750	2.375	0.312	0.344 ±0.010	0.406 ±0.010	1.750 +0/-0.002	1.752 +0.003/0	2.375 +0.004/0	1.750 +0/-0.004	2.373 +0/-0.001	2.375 +0.003/0	2.76
870-30	1.875	2.500	0.312	0.344 ±0.010	0.406 ±0.010	1.875 +0/-0.002	1.877 +0.003/0	2.500 +0.004/0	1.875 +0/-0.004	2.498 +0/-0.001	2.500 +0.003/0	2.84
870-31	2.000	2.625	0.312	0.344 ±0.010	0.406 ±0.010	2.000 +0/-0.002	2.002 +0.003/0	2.625 +0.004/0	2.000 +0/-0.004	2.623 +0/-0.001	2.625 +0.003/0	2.93
870-32	2.125	2.750	0.312	0.344 ±0.010	0.406 ±0.010	2.125 +0/-0.002	2.127 +0.003/0	2.750 +0.004/0	2.125 +0/-0.004	2.748 +0/-0.001	2.75 +0.003/0	3.07
870-33	2.250	2.875	0.312	0.344 ±0.010	0.406 ±0.010	2.250 +0/-0.002	2.252 +0.003/0	2.875 +0.004/0	2.250 +0/-0.004	2.873 +0/-0.001	2.875 +0.003/0	3.12
870-34	2.375	3.000	0.312	0.344 ±0.010	0.406 ±0.010	2.375 +0/-0.002	2.377 +0.003/0	3.000 +0.004/0	2.375 +0/-0.004	2.998 +0/-0.001	3.000 +0.003/0	3.30
870-35	2.500	3.125	0.312	0.344 ±0.010	0.406 ±0.010	2.500 +0/-0.002	2.502 +0.003/0	3.125 +0.004/0	2.500 +0/-0.005	3.123 +0/-0.001	3.125 +0.003/0	3.49
870-36	2.500	3.250	0.375	0.406 ±0.010	0.468 ±0.010	2.500 +0/-0.002	2.502 +0.004/0	3.250 +0.005/0	2.500 +0/-0.005	3.248 +0/-0.001	3.250 +0.004/0	3.61
870-37	2.625	3.375	0.375	0.406 ±0.010	0.468 ±0.010	2.625 +0/-0.002	2.627 +0.004/0	3.375 +0.005/0	2.625 +0/-0.005	3.373 +0/-0.001	3.375 +0.004/0	3.78
870-38	2.750	3.500	0.375	0.406 ±0.010	0.468 ±0.010	2.750 +0/-0.002	2.752 +0.004/0	3.500 +0.005/0	2.750 +0/-0.005	3.498 +0/-0.001	3.500 +0.004/0	3.82
870-39	2.875	3.625	0.375	0.406 ±0.010	0.468 ±0.010	2.875 +0/-0.002	2.877 +0.004/0	3.625 +0.005/0	2.875 +0/-0.005	3.623 +0/-0.001	3.625 +0.004/0	3.94
870-40	3.000	3.750	0.375	0.406 ±0.010	0.468 ±0.010	3.000 +0/-0.002	3.002 +0.004/0	3.750 +0.005/0	3.000 +0/-0.005	3.748 +0/-0.001	3.750 +0.004/0	4.03
870-41	0.125	0.375	0.125	0.156 ±0.010	0.218 ±0.010	0.125 +0/-0.001	0.127 +0.002/0	0.375 +0.002/0	0.125 +0/-0.001	0.373 +0/-0.002	0.375 +0.003/0	1.46
870-42	0.188	0.438	0.125	0.156 ±0.010	0.218 ±0.010	0.187 +0/-0.001	0.189 +0.002/0	0.437 +0.002/0	0.187 +0/-0.001	0.435 +0/-0.002	0.437 +0.003/0	1.46
870-43	0.250	0.500	0.125	0.156 ±0.010	0.218 ±0.010	0.250 +0/-0.001	0.252 +0.002/0	0.500 +0.002/0	0.250 +0/-0.001	0.498 +0/-0.002	0.500 +0.003/0	1.46
870-44	0.312	0.563	0.125	0.156 ±0.010	0.218 ±0.010	0.312 +0/-0.001	0.314 +0.002/0	0.562 +0.002/0	0.312 +0/-0.001	0.560 +0/-0.002	0.562 +0.003/0	1.46
870-45	0.375	0.625	0.125	0.156 ±0.010	0.218 ±0.010	0.375 +0/-0.001	0.377 +0.002/0	0.625 +0.002/0	0.375 +0/-0.001	0.623 +0/-0.002	0.625 +0.003/0	1.52
870-46	0.438	0.688	0.125	0.156 ±0.010	0.218 ±0.010	0.437 +0/-0.001	0.439 +0.002/0	0.687 +0.002/0	0.437 +0/-0.001	0.685 +0/-0.002	0.687 +0.003/0	1.60
870-47	0.500	0.750	0.125	0.156 ±0.010	0.218 ±0.010	0.500 +0/-0.001	0.502 +0.002/0	0.750 +0.002/0	0.500 +0/-0.001	0.748 +0/-0.002	0.750 +0.003/0	1.60
870-48	0.625	1.000	0.188	0.218 ±0.010	0.280 ±0.010	0.625 +0/-0.002	0.627 +0.002/0	1.000 +0.002/0	0.625 +0/-0.001	0.998 +0/-0.002	1.000 +0.003/0	1.98
870-49	0.750	1.125	0.188	0.218 ±0.010	0.280 ±0.010	0.750 +0/-0.002	0.752 +0.002/0	1.125 +0.002/0	0.750 +0/-0.001	1.123 +0/-0.002	1.125 +0.003/0	1.98
870-50	0.875	1.250	0.188	0.218 ±0.010	0.280 ±0.010	0.875 +0/-0.002	0.877 +0.002/0	1.250 +0.002/0	0.875 +0/-0.001	1.248 +0/-0.002	1.250 +0.003/0	2.12
870-51	1.000	1.375	0.188	0.218 ±0.010	0.280 ±0.010	1.000 +0/-0.001	1.002 +0.002/0	1.375 +0.002/0	1.000 +0/-0.002	1.373 +0/-0.001	1.375 +0.004/0	2.12
870-52	1.125	1.500	0.188	0.218 ±0.010	0.280 ±0.010	1.125 +0/-0.001	1.127 +0.002/0	1.500 +0.002/0	1.125 +0/-0.002	1.498 +0/-0.001	1.500 +0.004/0	2.15
870-53	1.250	1.625	0.188	0.218 ±0.010	0.280 ±0.010	1.250 +0/-0.001	1.252 +0.002/0	1.625 +0.002/0	1.250 +0/-0.002	1.623 +0/-0.001	1.625 +0.004/0	2.15
870-60	3.250	4.000	0.375	0.406 ±0.010	0.468 ±0.010	3.250 +0/-0.002	3.252 +0.004/0	4.000 +0.004/0	3.250 +0/-0.005	3.998 +0/-0.002	4.000 +0.003/0	5.72
870-65	4.250	5.000	0.375	0.406 ±0.010	0.468 ±0.010	4.250 +0/-0.002	4.252 +0.004/0	5.000 +0.004/0	4.250 +0/-0.005	4.998 +0/-0.002	5.000 +0.003/0	9.40
870-80	7.000	8.000	0.500	0.531 ±0.010	0.593 ±0.010	7.000 +0/-0.003	7.002 +0.005/0	8.000 +0.007/0	7.000 +0/-0.007	7.998 +0/-0.003	8.000 +0.005/0	21.72
870-90	11.000	12.000	0.500	0.531 ±0.010	0.593 ±0.010	11.000 +0/-0.003	11.002 +0.005/0	12.000 +0.007/0	11.000 +0/-0.007	11.998 +0/-0.003	12.000 +0.005/0	34.81
870-95	13.000	14.000	0.500	0.531 ±0.010	0.593 ±0.010	13.000 +0/-0.003	13.002 +0.005/0	14.000 +0.007/0	13.000 +0/-0.007	13.998 +0/-0.003	14.000 +0.005/0	44.30

STYLE 870 HOMOGENEOUS U-SEALS



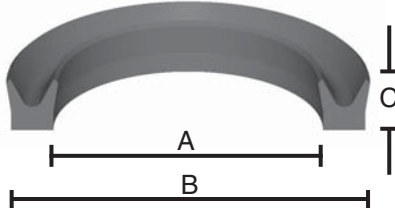
Part Number	A NOM. I.D.	B NOM. O.D.	C NOM. HT.	D GROOVE W/O BU	D1 GROOVE W/ BU	E ROD DIAMETER	F THROAT DIAMETER	G HOUSING DIAMETER	H GROOVE DIAMETER	I PISTON DIAMETER	J BORE DIAMETER	List Price
SPECIAL SIZES												
870-2.62X3.12	2.625	3.125	0.250	0.281 ±0.010	0.343 ±0.010	2.625 +0/-0.002	2.626 +0.003/0	2.625 +0.002/0	2.625 +0/-0.003	3.124 +0/-0.002	3.125 +0.003/0	\$ 6.75
870-2X2-3/8	2.000	2.375	0.188	0.218 ±0.010	0.280 ±0.010	2.000 +0/-0.002	2.002 +0.002/0	2.375 +0.002/0	2.000 +0/-0.002	2.373 +0/-0.002	2.375 +0.002/0	5.75
870-3.12X3.62	3.125	3.625	0.250	0.281 ±0.010	0.343 ±0.010	3.125 +0/-0.002	3.125 +0.003/0	3.625 +0.002/0	3.125 +0/-0.003	3.264 +0/-0.002	3.625 +0.003/0	8.18
870-3.62X4.12	3.625	4.125	0.250	0.281 ±0.010	0.343 ±0.010	3.625 +0/-0.002	3.626 +0.003/0	4.125 +0.002/0	3.625 +0/-0.003	4.124 +0/-0.002	4.125 +0.003/0	16.11
870-4.12X4.62	4.125	4.625	0.250	0.281 ±0.010	0.343 ±0.010	4.125 +0/-0.002	4.126 +0.003/0	4.625 +0.002/0	4.125 +0/-0.003	4.624 +0/-0.002	4.625 +0.003/0	10.38
870-5.12X6	5.125	6.000	0.438	0.469 ±0.010	0.531 ±0.010	5.125 +0/-0.003	5.127 +0.004/0	6.000 +0.006/0	5.125 +0/-0.006	5.998 +0/-0.002	6.000 +0.005/0	27.61
870-5.2X6	5.250	6.000	0.375	0.406 ±0.010	0.468 ±0.010	5.250 +0/-0.002	5.252 +0.004/0	6.000 +0.004/0	5.250 +0/-0.005	5.998 +0/-0.002	6.000 +0.003/0	21.24
870-5.2X6X.50	5.250	6.000	0.500	0.531 ±0.010	0.593 ±0.010	5.250 +0/-0.003	5.252 +0.005/0	6.000 +0.007/0	5.250 +0/-0.007	5.998 +0/-0.003	6.000 +0.005/0	21.24
870-6.12X7	6.125	7.000	0.438	0.469 ±0.010	0.531 ±0.010	6.125 +0/-0.003	6.127 +0.004/0	7.000 +0.006/0	6.125 +0/-0.006	6.998 +0/-0.002	7.000 +0.005/0	40.93
870-6.2X7X.50	6.250	7.000	0.500	0.531 ±0.010	0.593 ±0.010	6.250 +0/-0.003	6.252 +0.005/0	7.000 +0.007/0	6.250 +0/-0.007	6.998 +0/-0.003	7.000 +0.005/0	22.71
870-6X7X.5	6.000	7.000	0.500	0.531 ±0.010	0.593 ±0.010	6.000 +0/-0.003	6.002 +0.005/0	7.000 +0.007/0	6.000 +0/-0.007	6.998 +0/-0.003	7.000 +0.005/0	23.11
870-9X10	9.000	10.000	0.500	0.531 ±0.010	0.593 ±0.010	9.000 +0/-0.003	9.002 +0.005/0	10.000 +0.007/0	9.000 +0/-0.007	9.998 +0/-0.003	10.000 +0.005/0	86.11

U-SEALS

STYLE HRU HOMOGENEOUS U-SEALS

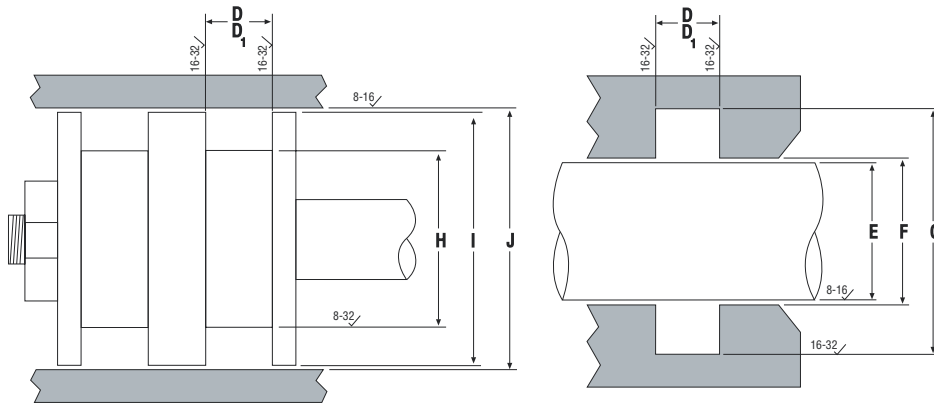
Style HRU u-seals are precision molded from 80 Durometer Buna-N rubber. Sizes include those found in Army-Navy spec. AN6226 and narrow cross-section sizes found in J.I.C. cylinders and the popularly termed "Huva Cup".

V= VITON (FLUOROCARBON)



PART NUMBERS
U 12 - 0.18 - 25B
 Type of Seal Cross Section Inside Diameter Height

SEAL INFORMATION	
MATERIAL	80A BUNA-N RUBBER 90A FLUOROCARBON
TEMPERATURE RANGE	BUNA-N: -40° TO +250° F FC: -20° TO +400° F
PRESSURE RANGE	BUNA-N: 0 TO 1,250 PSI FC: 0 TO 2,000 PSI
PART NUMBER	(Prefix)(CS) - (Inside Dia) - (Height)



U-SEALS

Part Number	A NOM. I.D.	B NOM. O.D.	C NOM. HT.	D GROOVE W/O BU	D1 GROOVE W/ BU	E ROD DIAMETER	F THROAT DIAMETER	G HOUSING DIAMETER	H GROOVE DIAMETER	I PISTON DIAMETER	J BORE DIAMETER	List Price
3/32" C/S												
HRU09-0.12-09	1/8	5/16	3/32	0.125 ±0.010	0.188 ±0.010	0.125 +0/-0.001	0.126 +0.002/0	0.312 +0.002/0	0.125 +0/-0.001	0.310 +0/-0.001	0.312 +0.003/0	\$ 1.97
HRU09-0.18-09	3/16	3/8	3/32	0.125 ±0.010	0.188 ±0.010	0.187 +0/-0.001	0.188 +0.002/0	0.375 +0.002/0	0.187 +0/-0.001	0.373 +0/-0.001	0.375 +0.003/0	1.97
HRU09-0.25-09	1/4	7/16	3/32	0.125 ±0.010	0.188 ±0.010	0.250 +0/-0.001	0.251 +0.002/0	0.437 +0.002/0	0.250 +0/-0.001	0.435 +0/-0.001	0.437 +0.003/0	1.97
HRU09-0.31-09	5/16	1/2	3/32	0.125 ±0.010	0.188 ±0.010	0.312 +0/-0.001	0.313 +0.002/0	0.500 +0.002/0	0.312 +0/-0.001	0.498 +0/-0.001	0.500 +0.003/0	1.97
HRU09-0.43-09	7/16	5/8	3/32	0.125 ±0.010	0.188 ±0.010	0.437 +0/-0.001	0.438 +0.002/0	0.625 +0.002/0	0.437 +0/-0.001	0.623 +0/-0.001	0.625 +0.003/0	1.97
HRU09-0.50-09	1/2	11/16	3/32	0.125 ±0.010	0.188 ±0.010	0.500 +0/-0.001	0.501 +0.002/0	0.687 +0.002/0	0.500 +0/-0.001	0.685 +0/-0.001	0.687 +0.003/0	1.97
HRU09-0.56-09	9/16	3/4	3/32	0.125 ±0.010	0.188 ±0.010	0.562 +0/-0.001	0.563 +0.002/0	0.750 +0.002/0	0.562 +0/-0.001	0.748 +0/-0.001	0.750 +0.003/0	1.97
HRU09-0.62-09	5/8	13/16	3/32	0.125 ±0.010	0.188 ±0.010	0.625 +0/-0.001	0.626 +0.002/0	0.812 +0.002/0	0.625 +0/-0.001	0.810 +0/-0.001	0.812 +0.003/0	1.97
HRU09-0.68-09	11/16	7/8	3/32	0.125 ±0.010	0.188 ±0.010	0.687 +0/-0.001	0.686 +0.002/0	0.875 +0.002/0	0.687 +0/-0.001	0.873 +0/-0.001	0.875 +0.003/0	2.09
HRU09-0.75-09	3/4	15/16	3/32	0.125 ±0.010	0.188 ±0.010	0.750 +0/-0.001	0.751 +0.002/0	0.937 +0.002/0	0.750 +0/-0.001	0.935 +0/-0.001	0.937 +0.003/0	2.39
1/8" C/S												
HRU12-0.18-12	3/16	7/16	1/8	0.156 ±0.010	0.219 ±0.010	0.187 +0/-0.001	0.188 +0.002/0	0.437 +0.002/0	0.187 +0/-0.001	0.435 +0/-0.001	0.437 +0.003/0	\$ 1.97
HRU12-0.25-12	1/4	1/2	1/8	0.156 ±0.010	0.219 ±0.010	0.250 +0/-0.001	0.251 +0.002/0	0.500 +0.002/0	0.250 +0/-0.001	0.498 +0/-0.001	0.500 +0.003/0	1.97
HRU12-0.37-12	3/8	5/8	1/8	0.156 ±0.010	0.219 ±0.010	0.375 +0/-0.001	0.376 +0.002/0	0.625 +0.002/0	0.375 +0/-0.001	0.623 +0/-0.001	0.625 +0.003/0	1.97
HRU12-0.43-12	7/16	11/16	1/8	0.156 ±0.010	0.219 ±0.010	0.437 +0/-0.001	0.438 +0.002/0	0.687 +0.002/0	0.437 +0/-0.001	0.685 +0/-0.001	0.687 +0.003/0	1.97
HRU12-0.50-12	1/2	3/4	1/8	0.156 ±0.010	0.219 ±0.010	0.500 +0/-0.001	0.501 +0.002/0	0.750 +0.002/0	0.500 +0/-0.001	0.748 +0/-0.001	0.750 +0.003/0	1.97
HRU12-0.50-12V	1/2	3/4	1/8	0.156 ±0.010	0.219 ±0.010	0.500 +0/-0.001	0.501 +0.002/0	0.750 +0.002/0	0.500 +0/-0.001	0.748 +0/-0.001	0.750 +0.003/0	7.30

STYLE HRU HOMOGENEOUS U-SEALS



U-SEALS

Part Number	A NOM. I.D.	B NOM. O.D.	C NOM. HT.	D GROOVE W/O BU	D1 GROOVE W/ BU	E ROD DIAMETER	F THROAT DIAMETER	G HOUSING DIAMETER	H GROOVE DIAMETER	I PISTON DIAMETER	J BORE DIAMETER	List Price
1/8" C/S												
HRU12-0.56-12	9/16	13/16	1/8	0.156 ±0.010	0.219 ±0.010	0.562 +0/-0.001	0.563 +0.002/0	0.812 +0.002/0	0.562 +0/-0.001	0.810 +0/-0.001	0.812 +0.003/0	\$ 1.97
HRU12-0.62-12	5/8	7/8	1/8	0.156 ±0.010	0.219 ±0.010	0.625 +0/-0.001	0.626 +0.002/0	0.875 +0.002/0	0.625 +0/-0.001	0.873 +0/-0.001	0.875 +0.003/0	1.97
HRU12-0.62-12V	5/8	7/8	1/8	0.156 ±0.010	0.219 ±0.010	0.625 +0/-0.001	0.626 +0.002/0	0.875 +0.002/0	0.625 +0/-0.001	0.873 +0/-0.001	0.875 +0.003/0	8.93
HRU12-0.68-12	11/16	15/16	1/8	0.156 ±0.010	0.219 ±0.010	0.687 +0/-0.001	0.688 +0.002/0	0.937 +0.002/0	0.687 +0/-0.001	0.935 +0/-0.001	0.937 +0.003/0	1.97
HRU12-0.75-12	3/4	1	1/8	0.156 ±0.010	0.219 ±0.010	0.750 +0/-0.001	0.751 +0.002/0	1.000 +0.002/0	0.750 +0/-0.001	0.998 +0/-0.001	1.000 +0.003/0	1.97
HRU12-0.75-12V	3/4	1	1/8	0.156 ±0.010	0.219 ±0.010	0.750 +0/-0.001	0.751 +0.002/0	1.000 +0.002/0	0.750 +0/-0.001	0.998 +0/-0.001	1.000 +0.003/0	12.32
HRU12-0.81-12	13/16	1-1/16	1/8	0.156 ±0.010	0.219 ±0.010	0.812 +0/-0.001	0.813 +0.002/0	1.062 +0.002/0	0.812 +0/-0.001	1.060 +0/-0.001	1.062 +0.003/0	2.12
HRU12-0.87-12	7/8	1-1/8	1/8	0.156 ±0.010	0.219 ±0.010	0.875 +0/-0.001	0.876 +0.002/0	1.125 +0.002/0	0.875 +0/-0.001	1.123 +0/-0.001	1.125 +0.003/0	2.12
HRU12-0.87-12V	7/8	1-1/8	1/8	0.156 ±0.010	0.219 ±0.010	0.875 +0/-0.001	0.876 +0.002/0	1.125 +0.002/0	0.875 +0/-0.001	1.123 +0/-0.001	1.125 +0.003/0	12.80
HRU12-1.00-12	1	1-1/4	1/8	0.156 ±0.010	0.219 ±0.010	1.000 +0/-0.001	1.001 +0.002/0	1.250 +0.002/0	1.000 +0/-0.001	1.248 +0/-0.001	1.250 +0.003/0	2.12
HRU12-1.00-12V	1	1-1/4	1/8	0.156 ±0.010	0.219 ±0.010	1.000 +0/-0.001	1.001 +0.002/0	1.250 +0.002/0	1.000 +0/-0.001	1.248 +0/-0.001	1.250 +0.003/0	13.41
HRU12-1.12-12	1-1/8	1-3/8	1/8	0.156 ±0.010	0.219 ±0.010	1.125 +0/-0.001	1.126 +0.002/0	1.375 +0.002/0	1.125 +0/-0.001	1.373 +0/-0.001	1.375 +0.003/0	2.20
HRU12-1.25-12	1-1/4	1-1/2	1/8	0.156 ±0.010	0.219 ±0.010	1.250 +0/-0.001	1.251 +0.002/0	1.500 +0.002/0	1.250 +0/-0.001	1.498 +0/-0.001	1.500 +0.003/0	2.49
HRU12-1.37-12	1-3/8	1-5/8	1/8	0.156 ±0.010	0.219 ±0.010	1.375 +0/-0.001	1.376 +0.002/0	1.625 +0.002/0	1.375 +0/-0.001	1.623 +0/-0.001	1.625 +0.003/0	2.20
HRU12-1.50-12	1-1/2	1-3/4	1/8	0.156 ±0.010	0.219 ±0.010	1.500 +0/-0.001	1.501 +0.002/0	1.750 +0.002/0	1.500 +0/-0.001	1.748 +0/-0.001	1.750 +0.003/0	2.20
HRU12-1.75-12	1-3/4	2	1/8	0.156 ±0.010	0.219 ±0.010	1.750 +0/-0.001	1.751 +0.002/0	2.000 +0.002/0	1.750 +0/-0.002	1.998 +0/-0.002	2.000 +0.003/0	2.20
HRU12-2.00-12	2	2-1/4	1/8	0.156 ±0.010	0.219 ±0.010	2.000 +0/-0.001	2.001 +0.002/0	2.250 +0.002/0	2.000 +0/-0.002	2.248 +0/-0.002	2.250 +0.003/0	2.20
5/32" C/S												
HRU15-0.50-15	1/2	13/16	5/32	0.188 ±0.010	0.250 ±0.010	0.500 +0/-0.001	0.501 +0.002/0	0.812 +0.002/0	0.500 +0/-0.001	0.810 +0/-0.001	0.812 +0.003/0	\$ 2.20
HRU15-0.68-15	11/16	1	5/32	0.188 ±0.010	0.250 ±0.010	0.687 +0/-0.001	0.688 +0.002/0	1.000 +0.002/0	0.687 +0/-0.001	0.998 +0/-0.001	1.000 +0.003/0	2.28
HRU15-0.75-15	3/4	1-1/16	5/32	0.188 ±0.010	0.250 ±0.010	0.750 +0/-0.001	0.751 +0.002/0	1.062 +0.002/0	0.750 +0/-0.001	1.060 +0/-0.001	1.062 +0.003/0	2.28
HRU15-0.93-15	15/16	1-1/4	5/32	0.188 ±0.010	0.250 ±0.010	0.937 +0/-0.001	0.938 +0.002/0	1.250 +0.002/0	0.937 +0/-0.001	1.248 +0/-0.001	1.250 +0.003/0	2.28
HRU15-1.00-15	1	1-5/16	5/32	0.188 ±0.010	0.250 ±0.010	1.000 +0/-0.001	1.001 +0.002/0	1.312 +0.002/0	1.000 +0/-0.001	1.310 +0/-0.001	1.312 +0.003/0	2.33
HRU15-1.00-15V	1	1-5/16	5/32	0.188 ±0.010	0.250 ±0.010	1.000 +0/-0.001	1.001 +0.002/0	1.312 +0.002/0	1.000 +0/-0.001	1.310 +0/-0.001	1.312 +0.003/0	15.07
HRU15-1.06-15	1-1/16	1-3/8	5/32	0.188 ±0.010	0.250 ±0.010	1.062 +0/-0.001	1.062 +0.002/0	1.375 +0.002/0	1.062 +0/-0.001	1.373 +0/-0.001	1.375 +0.003/0	2.36
HRU15-1.18-15	1-3/16	1-1/2	5/32	0.188 ±0.010	0.250 ±0.010	1.187 +0/-0.001	1.188 +0.002/0	1.500 +0.002/0	1.187 +0/-0.001	1.498 +0/-0.001	1.500 +0.003/0	2.44
HRU15-1.18-15V	1-3/16	1-1/2	5/32	0.188 ±0.010	0.250 ±0.010	1.187 +0/-0.001	1.188 +0.002/0	1.500 +0.002/0	1.187 +0/-0.001	1.498 +0/-0.001	1.500 +0.003/0	15.83
HRU15-1.25-15	1-1/4	1-9/16	5/32	0.188 ±0.010	0.250 ±0.010	1.250 +0/-0.001	1.251 +0.002/0	1.562 +0.002/0	1.250 +0/-0.001	1.560 +0/-0.001	1.562 +0.003/0	2.60
HRU15-1.31-15	1-5/16	1-5/8	5/32	0.188 ±0.010	0.250 ±0.010	1.312 +0/-0.001	1.313 +0.002/0	1.625 +0.002/0	1.312 +0/-0.001	1.623 +0/-0.001	1.625 +0.003/0	2.84
HRU15-1.37-15	1-3/8	1-11/16	5/32	0.188 ±0.010	0.250 ±0.010	1.375 +0/-0.001	1.376 +0.002/0	1.687 +0.002/0	1.375 +0/-0.001	1.685 +0/-0.001	1.687 +0.003/0	2.76
HRU15-1.37-15V	1-3/8	1-11/16	5/32	0.188 ±0.010	0.250 ±0.010	1.375 +0/-0.001	1.376 +0.002/0	1.687 +0.002/0	1.375 +0/-0.001	1.685 +0/-0.001	1.687 +0.003/0	17.33
HRU15-1.43-15	1-7/16	1-3/4	5/32	0.188 ±0.010	0.250 ±0.010	1.437 +0/-0.001	1.438 +0.002/0	1.750 +0.002/0	1.437 +0/-0.001	1.748 +0/-0.001	1.750 +0.003/0	2.76
HRU15-1.50-15	1-1/2	1-13/16	5/32	0.188 ±0.010	0.250 ±0.010	1.500 +0/-0.001	1.501 +0.002/0	1.812 +0.002/0	1.500 +0/-0.001	1.810 +0/-0.001	1.812 +0.003/0	2.83
3/16" C/S												
HRU18-0.62-18	5/8	1	3/16	0.219 ±0.010	0.281 ±0.010	0.625 +0/-0.001	0.626 +0.002/0	1.000 +0.002/0	0.625 +0/-0.001	0.998 +0/-0.001	1.000 +0.003/0	2.26
HRU18-0.75-18	3/4	1-1/8	3/16	0.219 ±0.010	0.281 ±0.010	0.750 +0/-0.001	0.751 +0.002/0	1.125 +0.002/0	0.750 +0/-0.001	1.123 +0/-0.001	1.125 +0.003/0	2.26
HRU18-1.00-18	1	1-3/8	3/16	0.219 ±0.010	0.281 ±0.010	1.000 +0/-0.001	1.001 +0.002/0	1.375 +0.002/0	1.000 +0/-0.001	1.373 +0/-0.001	1.375 +0.003/0	2.37
HRU18-1.25-18	1-1/4	1-5/8	3/16	0.219 ±0.010	0.281 ±0.010	1.250 +0/-0.001	1.251 +0.002/0	1.625 +0.002/0	1.250 +0/-0.001	1.623 +0/-0.001	1.625 +0.003/0	2.37
HRU18-1.37-18	1-3/8	1-3/4	3/16	0.219 ±0.010	0.281 ±0.010	1.375 +0/-0.001	1.376 +0.002/0	1.750 +0.002/0	1.375 +0/-0.001	1.748 +0/-0.001	1.750 +0.003/0	2.62
HRU18-1.37-18V	1-3/8	1-3/4	3/16	0.219 ±0.010	0.281 ±0.010	1.375 +0/-0.001	1.376 +0.002/0	1.750 +0.002/0	1.375 +0/-0.001	1.748 +0/-0.001	1.750 +0.003/0	23.53
HRU18-1.50-18	1-1/2	1-7/8	3/16	0.219 ±0.010	0.281 ±0.010	1.500 +0/-0.001	1.501 +0.002/0	1.875 +0.002/0	1.500 +0/-0.001	1.873 +0/-0.002	1.875 +0.003/0	2.62
HRU18-1.62-18	1-5/8	2	3/16	0.219 ±0.010	0.281 ±0.010	1.625 +0/-0.001	1.626 +0.002/0	2.000 +0.002/0	1.625 +0/-0.002	1.998 +0/-0.002	2.000 +0.003/0	2.76

STYLE HRU HOMOGENEOUS U-SEALS

U-SEALS

Part Number	A NOM. I.D.	B NOM. O.D.	C NOM. HT.	D GROOVE W/O BU	D1 GROOVE W/ BU	E ROD DIAMETER	F THROAT DIAMETER	G HOUSING DIAMETER	H GROOVE DIAMETER	I PISTON DIAMETER	J BORE DIAMETER	List Price
3/16" C/S												
HRU18-1.62-18V	1-5/8	2	3/16	0.219 ±0.010	0.281 ±0.010	1.625 +0/-0.001	1.626 +0.002/0	2.000 +0.002/0	1.625 +0/-0.002	1.998 +0/-0.002	2.000 +0.003/0	\$ 18.51
HRU18-1.75-18	1-3/4	2-1/8	3/16	0.219 ±0.010	0.281 ±0.010	1.750 +0/-0.001	1.751 +0.002/0	2.125 +0.002/0	1.750 +0/-0.002	2.123 +0/-0.002	2.125 +0.003/0	2.76
HRU18-1.75-18V	1-3/4	2-1/8	3/16	0.219 ±0.010	0.281 ±0.010	1.750 +0/-0.001	1.751 +0.002/0	2.125 +0.002/0	1.750 +0/-0.002	2.123 +0/-0.002	2.125 +0.003/0	19.29
HRU18-1.87-18	1-7/8	2-1/4	3/16	0.219 ±0.010	0.281 ±0.010	1.875 +0/-0.001	1.876 +0.002/0	2.250 +0.002/0	1.875 +0/-0.002	2.248 +0/-0.002	2.250 +0.003/0	2.76
HRU18-2.00-18	2	2-3/8	3/16	0.219 ±0.010	0.281 ±0.010	2.000 +0/-0.001	2.001 +0.002/0	2.375 +0.002/0	2.000 +0/-0.002	2.373 +0/-0.002	2.375 +0.003/0	2.97
HRU18-2.00-18V	2	2-3/8	3/16	0.219 ±0.010	0.281 ±0.010	2.000 +0/-0.001	2.001 +0.002/0	2.375 +0.002/0	2.000 +0/-0.002	2.373 +0/-0.002	2.375 +0.003/0	19.78
HRU18-2.12-18	2-1/8	2-1/2	3/16	0.219 ±0.010	0.281 ±0.010	2.125 +0/-0.001	2.126 +0.002/0	2.500 +0.002/0	2.125 +0/-0.002	2.498 +0/-0.002	2.500 +0.004/0	2.97
HRU18-2.12-18V	2-1/8	2-1/2	3/16	0.219 ±0.010	0.281 ±0.010	2.125 +0/-0.001	2.126 +0.002/0	2.500 +0.002/0	2.125 +0/-0.002	2.498 +0/-0.002	2.500 +0.004/0	19.78
HRU18-2.25-18	2-1/4	2-5/8	3/16	0.219 ±0.010	0.281 ±0.010	2.250 +0/-0.001	2.251 +0.002/0	2.625 +0.002/0	2.250 +0/-0.002	2.624 +0/-0.002	2.625 +0.004/0	1.70
HRU18-2.37-18	2-3/8	2-3/4	3/16	0.219 ±0.010	0.281 ±0.010	2.375 +0/-0.001	2.376 +0.002/0	2.750 +0.002/0	2.375 +0/-0.002	2.748 +0/-0.002	2.750 +0.004/0	2.97
HRU18-2.50-18	2-1/2	2-7/8	3/16	0.219 ±0.010	0.281 ±0.010	2.500 +0/-0.001	2.501 +0.002/0	2.875 +0.002/0	2.500 +0/-0.002	2.874 +0/-0.002	2.875 +0.004/0	4.21
HRU18-2.62-18	2-5/8	3	3/16	0.219 ±0.010	0.281 ±0.010	2.625 +0/-0.002	2.626 +0.003/0	3.000 +0.003/0	2.625 +0/-0.003	1.998 +0/-0.002	3.000 +0.004/0	3.72
HRU18-2.87-18	2-7/8	3-1/4	3/16	0.219 ±0.010	0.281 ±0.010	2.875 +0/-0.002	2.876 +0.003/0	3.250 +0.003/0	2.875 +0/-0.003	2.248 +0/-0.002	3.250 +0.004/0	3.94
HRU18-3.00-18	3	3-3/8	3/18	0.219 ±0.010	0.281 ±0.010	3.000 +0/-0.002	3.001 +0.003/0	3.375 +0.003/0	3.000 +0/-0.003	3.373 +0/-0.002	3.375 +0.004/0	2.48
HRU18-3.25-18	3-1/4	3-5/8	3/16	0.219 ±0.010	0.281 ±0.010	3.250 +0/-0.002	3.251 +0.003/0	3.625 +0.003/0	3.250 +0/-0.003	3.623 +0/-0.002	3.625 +0.004/0	6.84
HRU18-3.37-18	3-3/8	3-3/4	3/16	0.219 ±0.010	0.281 ±0.010	3.375 +0/-0.002	3.376 +0.003/0	3.750 +0.003/0	3.375 +0/-0.003	3.748 +0/-0.002	3.750 +0.004/0	6.96
7/32" C/S												
HRU21-2.50-21	2-1/2	2-15/16	7/32	0.250 ±0.010	0.312 ±0.010	2.500 +0/-0.001	2.501 +0.002/0	2.937 +0.002/0	2.500 +0/-0.003	2.935 +0/-0.002	2.937 +0.004/0	\$ 4.09
HRU21-2.50-21V	2-1/2	2-15/16	7/32	0.250 ±0.010	0.312 ±0.010	2.500 +0/-0.001	2.501 +0.002/0	2.937 +0.002/0	2.500 +0/-0.003	2.935 +0/-0.002	2.937 +0.004/0	21.75
HRU21-2.56-21	2-9/16	3	7/32	0.250 ±0.010	0.312 ±0.010	2.562 +0/-0.002	2.563 +0.003/0	3.000 +0.003/0	2.562 +0/-0.003	2.998 +0/-0.002	3.000 +0.004/0	4.30
HRU21-2.75-21	2-3/4	3-3/16	7/32	0.250 ±0.010	0.312 ±0.010	2.750 +0/-0.002	2.751 +0.003/0	3.187 +0.003/0	2.750 +0/-0.003	3.185 +0/-0.002	3.187 +0.004/0	4.74
HRU21-2.81-21	2-13/16	3-1/4	7/32	0.250 ±0.010	0.312 ±0.010	2.812 +0/-0.002	2.813 +0.003/0	3.250 +0.003/0	2.812 +0/-0.003	3.248 +0/-0.002	3.250 +0.004/0	4.98
HRU21-2.81-21V	2-13/16	3-1/4	7/32	0.250 ±0.010	0.312 ±0.010	2.812 +0/-0.002	2.813 +0.003/0	3.250 +0.003/0	2.812 +0/-0.003	3.248 +0/-0.002	3.250 +0.004/0	22.62
HRU21-3.00-21	3	3-7/16	7/32	0.250 ±0.010	0.312 ±0.010	3.000 +0/-0.002	3.001 +0.003/0	3.437 +0.003/0	3.000 +0/-0.003	3.435 +0/-0.002	3.437 +0.004/0	6.08
HRU21-3.00-21V	3	3-7/16	7/32	0.250 ±0.010	0.312 ±0.010	3.000 +0/-0.002	3.001 +0.003/0	3.437 +0.003/0	3.000 +0/-0.003	3.435 +0/-0.002	3.437 +0.004/0	24.34
HRU21-3.06-21	3-1/16	3-1/2	7/32	0.250 ±0.010	0.312 ±0.010	3.062 +0/-0.002	3.063 +0.003/0	3.500 +0.003/0	3.062 +0/-0.003	3.498 +0/-0.002	3.500 +0.004/0	6.96
HRU21-3.31-21	3-5/16	3-3/4	7/32	0.250 ±0.010	0.312 ±0.010	3.312 +0/-0.002	3.313 +0.003/0	3.750 +0.003/0	3.312 +0/-0.003	3.748 +0/-0.002	3.750 +0.004/0	7.67
1/4" C/S												
HRU25-1.37-25	1-3/8	1-7/8	1/4	0.281 ±0.010	0.344 ±0.010	1.375 +0/-0.001	1.376 +0.002/0	1.875 +0.002/0	1.375 +0/-0.001	1.873 +0/-0.002	1.875 +0.003/0	\$ 4.10
HRU25-1.75-25	1-3/4	2-1/4	1/4	0.281 ±0.010	0.344 ±0.010	1.750 +0/-0.001	1.751 +0.002/0	2.250 +0.002/0	1.750 +0/-0.002	2.248 +0/-0.002	2.250 +0.003/0	4.30
HRU25-2.00-25	2	2-1/2	1/4	0.281 ±0.010	0.344 ±0.010	2.000 +0/-0.001	2.001 +0.002/0	2.500 +0.002/0	2.000 +0/-0.002	2.498 +0/-0.002	2.500 +0.004/0	4.74
HRU25-2.50-25	2-1/2	3	1/4	0.281 ±0.010	0.344 ±0.010	2.500 +0/-0.001	2.501 +0.002/0	3.000 +0.003/0	2.500 +0/-0.003	2.998 +0/-0.002	3.000 +0.004/0	4.99
HRU25-2.75-25	2-3/4	3-1/4	1/4	0.281 ±0.010	0.344 ±0.010	2.750 +0/-0.002	2.751 +0.003/0	3.250 +0.003/0	2.750 +0/-0.003	3.248 +0/-0.002	3.250 +0.004/0	5.25
HRU25-2.75-25V	2-3/4	3-1/4	1/4	0.281 ±0.010	0.344 ±0.010	2.750 +0/-0.002	2.751 +0.003/0	3.250 +0.003/0	2.750 +0/-0.003	3.248 +0/-0.002	3.250 +0.004/0	26.02
HRU25-3.50-25	3-1/2	4	1/4	0.281 ±0.010	0.344 ±0.010	3.500 +0/-0.002	3.501 +0.003/0	4.000 +0.003/0	3.500 +0/-0.003	3.998 +0/-0.002	4.000 +0.004/0	5.20
HRU25-3.50-25V	3-1/2	4	1/4	0.281 ±0.010	0.344 ±0.010	3.500 +0/-0.002	3.501 +0.003/0	4.000 +0.003/0	3.500 +0/-0.003	3.998 +0/-0.002	4.000 +0.004/0	24.81
HRU25-3.75-25	3-3/4	4-1/4	1/4	0.281 ±0.010	0.344 ±0.010	3.750 +0/-0.002	3.751 +0.003/0	4.250 +0.003/0	3.750 +0/-0.003	4.248 +0/-0.002	4.250 +0.004/0	5.46
HRU25-4.00-25	4	4-1/2	1/4	0.281 ±0.010	0.344 ±0.010	4.000 +0/-0.002	4.001 +0.003/0	4.500 +0.003/0	4.000 +0/-0.003	4.498 +0/-0.002	4.500 +0.004/0	5.63
HRU25-4.00-25-90D	4	4-1/2	1/4	0.281 ±0.010	0.344 ±0.010	4.000 +0/-0.002	4.001 +0.003/0	4.500 +0.003/0	4.000 +0/-0.003	4.498 +0/-0.002	4.500 +0.004/0	5.63
HRU25-4.00-25V	4	4-1/2	1/4	0.281 ±0.010	0.344 ±0.010	4.000 +0/-0.002	4.001 +0.003/0	4.500 +0.003/0	4.000 +0/-0.003	4.498 +0/-0.002	4.500 +0.004/0	31.09
HRU25-4.50-25	4-1/2	5	1/4	0.281 ±0.010	0.344 ±0.010	4.500 +0/-0.002	4.501 +0.003/0	5.000 +0.003/0	4.500 +0/-0.003	4.998 +0/-0.002	5.000 +0.004/0	6.21
HRU25-4.50-25V	4-1/2	5	1/4	0.281 ±0.010	0.344 ±0.010	4.500 +0/-0.002	4.501 +0.003/0	5.000 +0.003/0	4.500 +0/-0.003	4.998 +0/-0.002	5.000 +0.004/0	35.03

STYLE HRU HOMOGENEOUS U-SEALS

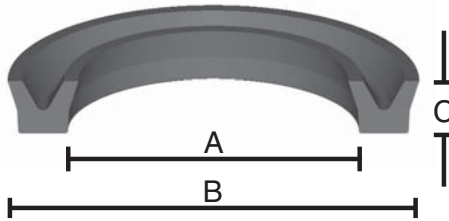


U-SEALS

Part Number	A NOM. I.D.	B NOM. O.D.	C NOM. HT.	D GROOVE W/O BU	D1 GROOVE W/ BU	E ROD DIAMETER	F THROAT DIAMETER	G HOUSING DIAMETER	H GROOVE DIAMETER	I PISTON DIAMETER	J BORE DIAMETER	List Price
1/4" C/S												
HRU25-4.75-25	4-3/4	5-1/4	1/4	0.281 ±0.010	0.344 ±0.010	4.750 +0/-0.002	4.751 +0.003/0	5.250 +0.003/0	4.750 +0/-0.003	5.248 +0/-0.002	5.250 +0.004/0	\$ 11.05
HRU25-5.50-25	5-1/2	6	1/4	0.281 ±0.010	0.344 ±0.010	5.500 +0/-0.002	5.501 +0.003/0	6.000 +0.003/0	5.500 +0/-0.003	5.998 +0/-0.003	6.000 +0.004/0	11.85
HRU25-5.50-25V	5-1/2	6	1/4	0.281 ±0.010	0.344 ±0.010	5.500 +0/-0.002	5.501 +0.003/0	6.000 +0.003/0	5.500 +0/-0.003	5.998 +0/-0.003	6.000 +0.004/0	80.55
HRU25-5.50-37	5-1/2	6	3/8	0.406 ±0.010	0.469 ±0.010	5.500 +0/-0.002	5.501 +0.003/0	6.000 +0.003/0	5.500 +0/-0.003	5.998 +0/-0.003	6.000 +0.004/0	11.85
9/32" C/S												
HRU28-4.43-28	4-7/16	5	9/32	0.312 ±0.010	0.375 ±0.010	4.437 +0/-0.002	4.438 +0.003/0	5.000 +0.003/0	4.437 +0/-0.003	4.998 +0/-0.002	5.000 +0.004/0	\$ 11.21
HRU28-4.43-28V	4-7/16	5	9/32	0.312 ±0.010	0.375 ±0.010	4.437 +0/-0.002	4.438 +0.003/0	5.000 +0.003/0	4.437 +0/-0.003	4.998 +0/-0.002	5.000 +0.004/0	36.26
HRU28-4.56-28	4-9/16	5-1/8	9/32	0.312 ±0.010	0.375 ±0.010	4.562 +0/-0.002	4.563 +0.003/0	5.125 +0.003/0	4.562 +0/-0.003	5.123 +0/-0.002	5.125 +0.004/0	26.23
HRU28-5.00-28	5	5-9/16	9/32	0.312 ±0.010	0.375 ±0.010	5.000 +0/-0.002	5.001 +0.003/0	5.562 +0.003/0	5.000 +0/-0.003	5.560 +0/-0.003	5.562 +0.004/0	21.72
HRU28-5.00-28V	5	5-9/16	9/32	0.312 ±0.010	0.375 ±0.010	5.000 +0/-0.002	5.001 +0.003/0	5.562 +0.003/0	5.000 +0/-0.003	5.560 +0/-0.003	5.562 +0.004/0	40.20
HRU28-5.43-28	5-7/16	6	9/32	0.312 ±0.010	0.375 ±0.010	5.437 +0/-0.002	5.438 +0.003/0	6.000 +0.003/0	5.437 +0/-0.003	5.998 +0/-0.003	6.000 +0.004/0	12.86
HRU28-5.43-28V	5-7/16	6	9/32	0.312 ±0.010	0.375 ±0.010	5.437 +0/-0.002	5.438 +0.003/0	6.000 +0.003/0	5.437 +0/-0.003	5.998 +0/-0.003	6.000 +0.004/0	44.05
HRU28-6.43-28	6-7/16	7	9/32	0.312 ±0.010	0.375 ±0.010	6.437 +0/-0.002	6.438 +0.003/0	7.000 +0.003/0	6.437 +0/-0.003	6.998 +0/-0.003	7.000 +0.004/0	8.67
5/16" C/S												
HRU31-2.87-31	2-7/8	3-1/2	5/16	0.344 ±0.010	0.406 ±0.010	2.875 +0/-0.002	2.876 +0.003/0	3.500 +0.003/0	2.875 +0/-0.003	3.498 +0/-0.002	3.500 +0.004/0	\$ 8.51
HRU31-4.37-31	4-3/8	5	5/16	0.344 ±0.010	0.406 ±0.010	4.375 +0/-0.002	4.376 +0.003/0	5.000 +0.003/0	4.375 +0/-0.003	4.998 +0/-0.002	5.000 +0.004/0	7.79
HRU31-5.37-31	5-3/8	6	5/16	0.344 ±0.010	0.406 ±0.010	5.375 +0/-0.002	5.376 +0.003/0	6.000 +0.003/0	5.375 +0/-0.003	5.998 +0/-0.003	6.000 +0.004/0	11.67
HRU31-5.37-31V	5-3/8	6	5/16	0.344 ±0.010	0.406 ±0.010	5.375 +0/-0.002	5.376 +0.003/0	6.000 +0.003/0	5.375 +0/-0.003	5.998 +0/-0.003	6.000 +0.004/0	50.56
HRU31-5.50-31	5-1/2	6-1/8	5/16	0.344 ±0.010	0.406 ±0.010	5.500 +0/-0.002	5.501 +0.003/0	6.125 +0.003/0	5.500 +0/-0.003	6.123 +0/-0.003	6.125 +0.004/0	15.33
HRU31-5.50-31V	5-1/2	6-1/8	5/16	0.344 ±0.010	0.406 ±0.010	5.500 +0/-0.002	5.501 +0.003/0	6.125 +0.003/0	5.500 +0/-0.003	6.123 +0/-0.003	6.125 +0.004/0	66.42
HRU31-6.37-31	6-3/8	7	5/16	0.344 ±0.010	0.406 ±0.010	6.375 +0/-0.002	6.376 +0.003/0	7.000 +0.003/0	6.375 +0/-0.003	6.998 +0/-0.003	7.000 +0.004/0	18.46
HRU31-6.37-31V	6-3/8	7	5/16	0.344 ±0.010	0.406 ±0.010	6.375 +0/-0.002	6.376 +0.003/0	7.000 +0.003/0	6.375 +0/-0.003	6.998 +0/-0.003	7.000 +0.004/0	70.06
HRU31-7.37-31	7-3/8	8	5/16	0.344 ±0.010	0.406 ±0.010	7.375 +0/-0.002	7.376 +0.003/0	8.000 +0.003/0	7.375 +0/-0.003	7.998 +0/-0.004	8.000 +0.005/0	22.86
HRU31-7.37-31V	7-3/8	8	5/16	0.344 ±0.010	0.406 ±0.010	7.375 +0/-0.002	7.376 +0.003/0	8.000 +0.003/0	7.375 +0/-0.003	7.998 +0/-0.004	8.000 +0.005/0	107.40
11/32" C/S												
HRU34-9.31-34	9-5/16	10	11/32	0.375 ±0.010	0.438 ±0.010	9.312 +0/-0.003	9.314 +0.004/0	10.000 +0.004/0	9.312 +0/-0.004	9.998 +0/-0.004	10.000 +0.005/0	\$ 31.35
HRU34-9.31-34V	9-5/16	10	11/32	0.375 ±0.010	0.438 ±0.010	9.312 +0/-0.003	9.314 +0.004/0	10.000 +0.004/0	9.312 +0/-0.004	9.998 +0/-0.004	10.000 +0.005/0	136.36
3/8" C/S												
HRU37-2.50-37	2-1/2	3-1/4	3/8	0.406 ±0.010	0.469 ±0.010	2.500 +0/-0.001	2.501 +0.002/0	3.250 +0.003/0	2.500 +0/-0.003	3.248 +0/-0.002	3.250 +0.004/0	\$ 5.60
HRU37-2.75-37	2-3/4	3-1/2	3/8	0.406 ±0.010	0.469 ±0.010	2.750 +0/-0.002	2.751 +0.003/0	3.500 +0.003/0	2.750 +0/-0.003	3.498 +0/-0.002	3.500 +0.004/0	5.86
HRU37-9.25-37	9-1/4	10	3/8	0.406 ±0.010	0.469 ±0.010	9.250 +0/-0.003	9.252 +0.004/0	10.000 +0.004/0	9.250 +0/-0.004	9.998 +0/-0.004	10.000 +0.005/0	31.91
HRU37-11.25-37	11-1/4	12	3/8	0.406 ±0.010	0.469 ±0.010	11.250 +0/-0.003	11.252 +0.004/0	12.000 +0.004/0	11.250 +0/-0.004	11.998 +0/-0.004	12.000 +0.005/0	54.19
13/32" C/S												
HRU40-13.18-40	13-3/16	14	13/32	0.438 ±0.010	0.500 ±0.010	13.187 +0/-0.003	13.189 +0.004/0	14.000 +0.004/0	13.187 +0/-0.004	13.998 +0/-0.004	14.000 +0.005/0	\$ 40.47
1/2" C/S												
HRU50-9.00-50	9	10	1/2	0.531 ±0.010	0.594 ±0.010	9.000 +0/-0.003	9.002 +0.004/0	10.000 +0.004/0	9.000 +0/-0.004	9.998 +0/-0.004	10.000 +0.005/0	\$ 52.28
HRU50-11.00-50	11	12	1/2	0.531 ±0.010	0.594 ±0.010	11.000 +0/-0.003	11.002 +0.004/0	10.000 +0.004/0	11.000 +0/-0.004	11.998 +0/-0.004	12.000 +0.005/0	68.33

STYLE HSU HOMOGENEOUS U-SEALS

Style HSU u-seals are precision molded from 90 Durometer Buna-N rubber or 90A Fluorocarbon (suffix "V") -- 90 Duro Rubber for abrasion resistance and Fluorocarbon for heat resistance. These seals are commonly found in industrial cylinders as piston, rod and cushion seals.



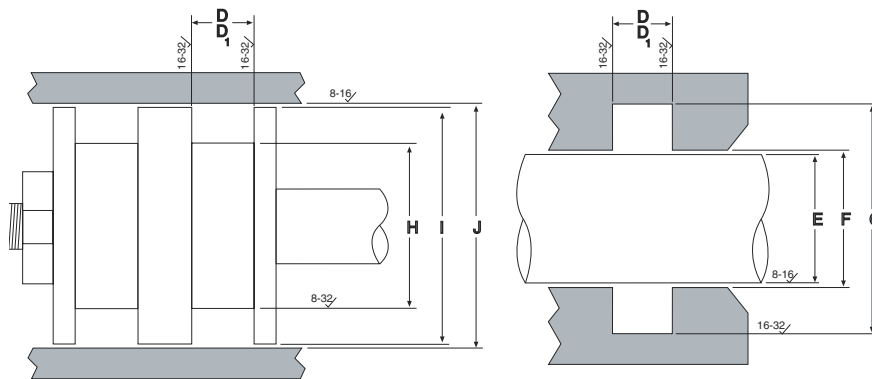
PART NUMBERS

HSU 12 - 0.75 - 90-D

Type of Seal Cross Section Inside Diameter Height

SEAL INFORMATION

MATERIAL	90A BUNA-N RUBBER 90A FLUOROCARBON
TEMPERATURE RANGE	BUNA-N: -40° TO +250° F FC: -20° TO +400° F
PRESSURE RANGE	0 TO 2,000 PSI
PART NUMBER	(Prefix)(CS)-(Inside Dia)-(Height)-(90 Duro)



Part Number	A NOM. I.D.	B NOM. O.D.	C NOM. HT.	D GROOVE W/O BU	D1 GROOVE W/ BU	E ROD DIAMETER	F THROAT DIAMETER	G HOUSING DIAMETER	H GROOVE DIAMETER	I PISTON DIAMETER	J BORE DIAMETER	List Price
1/8" C/S												
HSU12-0.75-12-90D	3/4	1	1/8	0.156 ±0.010	0.219 ±0.010	0.750 +0/-0.001	0.751 +0.002/0	1.000 +0.002/0	0.750 +0/-0.001	0.998 +0/-0.001	1.000 +0.003/0	\$ 1.97
HSU12-0.75-12-90DV	3/4	1	1/8	0.156 ±0.010	0.219 ±0.010	0.750 +0/-0.001	0.751 +0.002/0	1.000 +0.002/0	0.750 +0/-0.001	0.998 +0/-0.001	1.000 +0.003/0	12.71
5/32" C/S												
HSU15-1.18-15-90D	1-3/16	1-1/2	5/32	0.188 ±0.010	0.250 ±0.010	1.187 +0/-0.001	1.188 +0.002/0	1.500 +0.002/0	1.187 +0/-0.001	1.498 +0/-0.001	1.500 +0.003/0	\$ 2.44
HSU15-1.18-15-90DV	1-3/16	1-1/2	5/32	0.188 ±0.010	0.250 ±0.010	1.187 +0/-0.001	1.188 +0.002/0	1.500 +0.002/0	1.187 +0/-0.001	1.498 +0/-0.001	1.500 +0.003/0	15.03
HSU15-1.25-15-90D	1-1/4	1-9/16	5/32	0.188 ±0.010	0.250 ±0.010	1.250 +0/-0.001	1.251 +0.002/0	1.562 +0.002/0	1.250 +0/-0.001	1.560 +0/-0.001	1.562 +0.003/0	2.60
HSU15-1.25-15-90DV	1-1/4	1-9/16	5/32	0.188 ±0.010	0.250 ±0.010	1.250 +0/-0.001	1.251 +0.002/0	1.562 +0.002/0	1.250 +0/-0.001	1.560 +0/-0.001	1.562 +0.003/0	21.20
3/16" C/S												
HSU18-1.62-18-90D	1-5/8	2	3/16	0.219 ±0.010	0.281 ±0.010	1.625 +0/-0.001	1.626 +0.002/0	2.000 +0.002/0	1.625 +0/-0.002	1.998 +0/-0.002	2.000 +0.003/0	\$ 2.76
HSU18-1.62-18-90DV	1-5/8	2	3/16	0.219 ±0.010	0.281 ±0.010	1.625 +0/-0.001	1.626 +0.002/0	2.000 +0.002/0	1.625 +0/-0.002	1.998 +0/-0.002	2.000 +0.003/0	38.63
HSU18-2.12-18-90D	2-1/8	2-1/2	3/16	0.219 ±0.010	0.281 ±0.010	2.125 +0/-0.001	2.126 +0.002/0	2.500 +0.002/0	2.125 +0/-0.002	2.498 +0/-0.002	2.500 +0.004/0	2.97
HSU18-2.12-18-90DV	2-1/8	2-1/2	3/16	0.219 ±0.010	0.281 ±0.010	2.125 +0/-0.001	2.126 +0.002/0	2.500 +0.002/0	2.125 +0/-0.002	2.498 +0/-0.002	2.500 +0.004/0	41.06
7/32" C/S												
HSU21-2.81-21-90D	2-13/16	3-1/4	7/32	0.250 ±0.010	0.312 ±0.010	2.812 +0/-0.002	2.813 +0.003/0	3.250 +0.003/0	2.812 +0/-0.003	3.248 +0/-0.002	3.250 +0.004/0	\$ 4.98
HSU21-2.81-21-90DV	2-13/16	3-1/4	7/32	0.250 ±0.010	0.312 ±0.010	2.812 +0/-0.002	2.813 +0.003/0	3.250 +0.003/0	2.812 +0/-0.003	3.248 +0/-0.002	3.250 +0.004/0	39.77

STYLE HSU HOMOGENEOUS U-SEALS



U-SEALS

Part Number	A NOM. I.D.	B NOM. O.D.	C NOM. HT.	D GROOVE W/O BU	D1 GROOVE W/ BU	E ROD DIAMETER	F THROAT DIAMETER	G HOUSING DIAMETER	H GROOVE DIAMETER	I PISTON DIAMETER	J BORE DIAMETER	List Price
1/4" C/S												
HSU25-3.50-25-90D	3-1/2	4	1/4	0.281 ±0.010	0.344 ±0.010	3.500 +0/-0.002	3.501 +0.003/0	4.000 +0.003/0	3.500 +0/-0.003	3.998 +0/-0.002	4.000 +0.004/0	\$ 5.20
HSU25-3.50-25-90DV	3-1/2	4	1/4	0.281 ±0.010	0.344 ±0.010	3.500 +0/-0.002	3.501 +0.003/0	4.000 +0.003/0	3.500 +0/-0.003	3.998 +0/-0.002	4.000 +0.004/0	52.91
HSU25-4.50-25-90D	4-1/2	5	1/4	0.281 ±0.010	0.344 ±0.010	4.500 +0/-0.002	4.501 +0.003/0	5.000 +0.003/0	4.500 +0/-0.003	4.998 +0/-0.002	5.000 +0.004/0	6.21
HSU25-4.50-25-90DV	4-1/2	5	1/4	0.281 ±0.010	0.344 ±0.010	4.500 +0/-0.002	4.501 +0.003/0	5.000 +0.003/0	4.500 +0/-0.003	4.998 +0/-0.002	5.000 +0.004/0	35.03
9/32" C/S												
HSU28-4.43-28-90D	4-7/16	5	9/32	0.312 ±0.010	0.375 ±0.010	4.437 +0/-0.002	4.438 +0.003/0	5.000 +0.003/0	4.437 +0/-0.003	4.998 +0/-0.002	5.000 +0.004/0	\$ 11.21
HSU28-4.43-28-90DV	4-7/16	5	9/32	0.312 ±0.010	0.375 ±0.010	4.437 +0/-0.002	4.438 +0.003/0	5.000 +0.003/0	4.437 +0/-0.003	4.998 +0/-0.002	5.000 +0.004/0	53.85
HSU28-5.43-28-90D	5-7/16	6	9/32	0.312 ±0.010	0.375 ±0.010	5.437 +0/-0.002	5.438 +0.003/0	6.000 +0.003/0	5.437 +0/-0.003	5.998 +0/-0.003	6.000 +0.004/0	12.86
HSU28-5.43-28-90DV	5-7/16	6	9/32	0.312 ±0.010	0.375 ±0.010	5.437 +0/-0.002	5.438 +0.003/0	6.000 +0.003/0	5.437 +0/-0.003	5.998 +0/-0.003	6.000 +0.004/0	44.06
HSU28-6.43-28-90D	6-7/16	7	9/32	0.312 ±0.010	0.375 ±0.010	6.437 +0/-0.002	6.438 +0.003/0	7.000 +0.003/0	6.437 +0/-0.003	6.998 +0/-0.003	7.000 +0.004/0	12.91
HSU28-6.43-28-90DV	6-7/16	7	9/32	0.312 ±0.010	0.375 ±0.010	6.437 +0/-0.002	6.438 +0.003/0	7.000 +0.003/0	6.437 +0/-0.003	6.998 +0/-0.003	7.000 +0.004/0	79.14
5/16" C/S												
HSU31-5.37-31-90D	5-3/8	6	5/16	0.344 ±0.010	0.406 ±0.010	5.375 +0/-0.002	5.376 +0.003/0	6.000 +0.003/0	5.375 +0/-0.003	5.998 +0/-0.003	6.000 +0.004/0	\$ 11.67
HSU31-5.37-31-90DV	5-3/8	6	5/16	0.344 ±0.010	0.406 ±0.010	5.375 +0/-0.002	5.376 +0.003/0	6.000 +0.003/0	5.375 +0/-0.003	5.998 +0/-0.003	6.000 +0.004/0	56.66
HSU31-6.37-31-90D	6-3/8	7	5/16	0.344 ±0.010	0.406 ±0.010	6.375 +0/-0.002	6.376 +0.003/0	7.000 +0.003/0	6.375 +0/-0.003	6.998 +0/-0.003	7.000 +0.004/0	18.46
HSU31-6.37-31-90DV	6-3/8	7	5/16	0.344 ±0.010	0.406 ±0.010	6.375 +0/-0.002	6.376 +0.003/0	7.000 +0.003/0	6.375 +0/-0.003	6.998 +0/-0.003	7.000 +0.004/0	70.06
HSU31-7.37-31-90D	7-3/8	8	5/16	0.344 ±0.010	0.406 ±0.010	7.375 +0/-0.002	7.376 +0.003/0	8.000 +0.003/0	7.375 +0/-0.003	7.998 +0/-0.004	8.000 +0.004/0	22.86
HSU31-7.37-31-90DV	7-3/8	8	5/16	0.344 ±0.010	0.406 ±0.010	7.375 +0/-0.002	7.376 +0.003/0	8.000 +0.003/0	7.375 +0/-0.003	7.998 +0/-0.004	8.000 +0.004/0	112.12
11/32" C/S												
HSU34-9.31-34-90D	9-5/16	10	11/32	0.375 ±0.010	0.438 ±0.010	9.312 +0/-0.003	9.314 +0.003/0	10.000 +0.003/0	9.312 +0/-0.004	9.998 +0/-0.004	10.000 +0.004/0	\$ 31.35
HSU34-9.31-34-90DV	9-5/16	10	11/32	0.375 ±0.010	0.438 ±0.010	9.312 +0/-0.003	9.314 +0.003/0	10.000 +0.003/0	9.312 +0/-0.004	9.998 +0/-0.004	10.000 +0.004/0	136.36
3/8" C/S												
HSU37-11.25-37-90D	11-1/4	12	3/8	0.406 ±0.010	0.469 ±0.010	11.25 +0/-0.003	11.252 11.252	12.000 +0.004/0	11.250 +0/-0.004	11.998 +0/-0.004	12.000 +0.005/0	\$ 54.19
HSU37-11.25-37-90DV	11-1/4	12	3/8	0.406 ±0.010	0.469 ±0.010	11.25 +0/-0.003	11.252 11.252	12.000 +0.004/0	11.250 +0/-0.004	11.998 +0/-0.004	12.000 +0.005/0	163.04
13/32" C/S												
HSU40-13.18-40-90D	13-3/16	14	13/32	0.438 ±0.010	0.500 ±0.010	13.187 +0/-0.003	13.189 +0.004/0	14.000 +0.004/0	13.187 +0/-0.004	13.998 +0/-0.004	14.000 +0.005/0	\$ 29.17
HSU40-13.18-40-90DV	13-3/16	14	13/32	0.438 ±0.010	0.500 ±0.010	13.187 +0/-0.003	13.189 +0.004/0	14.000 +0.004/0	13.187 +0/-0.004	13.998 +0/-0.004	14.000 +0.005/0	220.92
1/2" C/S												
HSU50-11.00-50-90D	11	12	1/2	0.531 ±0.010	0.594 ±0.010	11.000 +0/-0.003	11.002 +0.004/0	12.000 +0.004/0	11.000 +0/-0.004	11.998 +0/-0.004	12.000 +0.005/0	\$ 68.33
HSU50-11.00-50-90DV	11	12	1/2	0.531 ±0.010	0.594 ±0.010	11.000 +0/-0.003	11.002 +0.004/0	12.000 +0.004/0	11.000 +0/-0.004	11.998 +0/-0.004	12.000 +0.005/0	220.92
HSU50-13.00-50-90D	13	14	1/2	0.531 ±0.010	0.594 ±0.010	13.000 +0/-0.003	13.002 +0.004/0	14.000 +0.004/0	13.000 +0/-0.004	13.998 +0/-0.004	14.000 +0.005/0	70.66