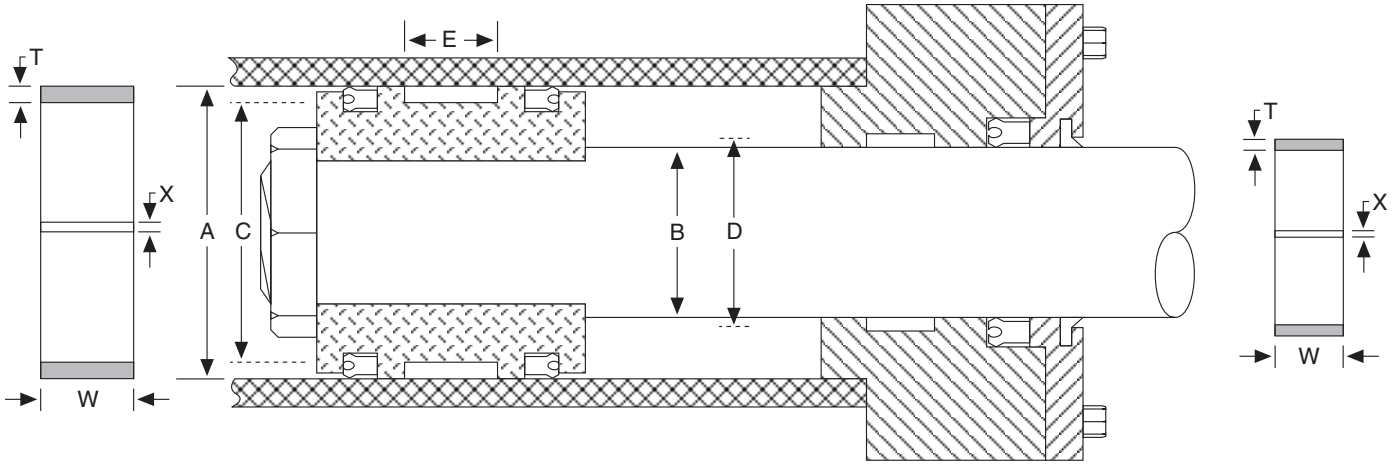


# NYLON WEAR RING TECHNICAL INFORMATION



- A - CYLINDER BORE
- B - ROD DIAMETER
- C - MINIMUM BORE "A" MINUS .253/.256
- D - MAXIMUM ROD DIAMETER "B" PLUS .253/.256
- E - GROOVE WIDTH
- T - THICKNESS OF WEAR RING
- W - WIDTH OF WEAR RING
- X - MINIMUM RING GAP

## Groove Dimensions For Standard Wear Ring Widths

1/2" Width			5/8" Width			3/4" Width			1" Width		
E	T	X	E	T	X	E	T	X	E	T	X
.510"	.122"	1/16"	.635"	.122"	1/16"	.760"	.122"	1/16"	1.010"	.122"	1/16"
.515"	.125"		.640"	.125"		.765"	.125"		1.015"	.125"	

## Cut Down Factors For Standard Wear Rings

In many cases an oversized nylon wear ring can be cut down to fit a smaller groove without a loss of concentricity. Use the following guide when cutting down wear rings.

Wear Ring O.D.	Maximum amount to be Cut Down
4" OD	3/8" of circumference
4-1/2" - 6-1/2" OD	1/2"
7" - 9" OD	1"
9-1/2" - 14" OD	1-1/2"

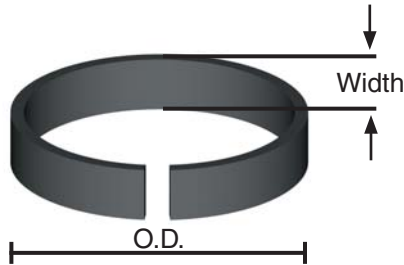
## Flexible Guide Bearing Cut To Fit Formula

Use the following formula when cutting flexible guide bearing to fit a specific application.

For Piston Bearings	For Rod Bearings
Bearing Length = (Bore - C.S.) x 3.14 - Gap	Bearing Length = (Rod + C.S.) x 3.14 - Gap

# STYLE 606 NYLON WEAR RINGS 1/16" THICK

**NOTE:** "SC" suffix designates a Scarf Cut wear ring.



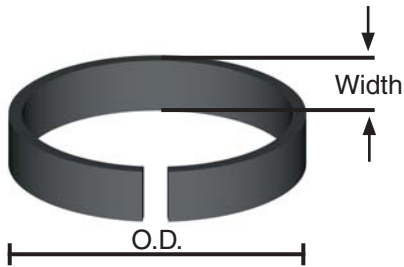
## SEAL INFORMATION

TEMPERATURE RANGE	-40° TO +275° F
TENSILE STRENGTH	27,000 PSI
COMPRESSIVE STRENGTH	26,000 PSI
PART NUMBER	(Prefix) - (OD) - (Width)

Part Number	O.D.	Width	List Price
606-087-050	7/8	1/2	\$ 9.82
606-112-050	1-1/8	1/2	6.03
606-125-050-SC	1-1/4	1/2	11.18
606-125-075-SC	1 1/4	3/4	10.35
606-137-050	1-3/8	1/2	7.84
606-150-031-SC	1-1/2	5/16	8.27
606-150-037-SC	1-1/2	3/8	8.67
606-162-082	1-5/8	13/16	9.18
606-162-098-SC	1-5/8	.980	7.84
606-162-125	1-5/8	1-1/4	16.49
606-187-098-SC	1-7/8	.980	19.29
606-200-025-SC	2	1/4	17.26
606-200-031-SC	2	5/16	8.33
606-200-072-SC	2	.720	19.57
606-200-098-SC	2	.980	25.73
606-212-072-SC	2-1/8	.720	15.87
606-212-098-SC	2-1/8	63/64	5.21
606-212-125	2-1/8	1-1/4	24.64
606-225-036	2-1/4	.360	40.87
606-225-072-SC	2-1/4	.720	40.27
606-225-098-SC	2-1/4	.980	22.54
606-225-100	2-1/4	1	29.39
606-237-098-SC	2-3/8	.980	29.03
606-237-100	2-3/8	1	21.30
606-237-118	2-3/8	1-3/16	25.94
606-250-031-SC	2-1/2	5/16	8.42
606-250-050	2-1/2	1/2	13.58
606-250-126-SC	2-1/2	1.260	14.18

Part Number	O.D.	Width	List Price
606-262-072-SC	2-5/8	.720	\$ 17.26
606-262-098-SC	2-5/8	.980	28.17
606-262-124-SC	2-5/8	1.240	32.28
606-262-168	2-5/8	1-11/16	41.22
606-275-050	2-3/4	1/2	21.26
606-275-098-SC	2-3/4	.980	11.69
606-275-100	2-3/4	1	17.23
606-287-100-SC	2-7/8	1	34.93
606-287-126-SC	2-7/8	1.260	29.32
606-287-157-SC	2-7/8	1-9/16	40.82
606-287-181	2-7/8	1-13/16	26.54
606-312-098-SC	3-1/8	.980	12.43
606-312-124	3-1/8	1.240	58.09
606-312-156	3-1/8	1-9/16	64.39
606-312-165-SC	3-1/8	1.650	32.88
606-325-031-SC	3-1/4	5/16	8.58
606-325-050	3-1/4	1/2	7.82
606-337-174	3-3/8	1.740	58.55
606-337-187	3-3/8	1-7/8	49.10
606-362-105	3-5/8	1.050	39.49
606-362-188-SC	3-5/8	1-7/8	47.40
606-387-157	3-7/8	1.570	64.80
606-400-031-SC	4	5/16	15.14
606-500-043-SC	5	7/16	16.03
606-600-043-SC	6	7/16	18.46
606-800-050-SC	8	1/2	28.52

## STYLE 608 NYLON WEAR RINGS .078" THICK

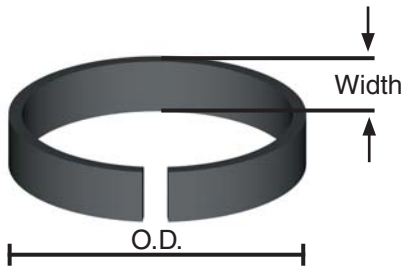


SEAL INFORMATION	
TEMPERATURE RANGE	-40° TO +275° F
TENSILE STRENGTH	25,000 PSI
COMPRESSIVE STRENGTH	26,000 PSI
PART NUMBER	(Prefix) - (OD) - (Width)

Part Number	O.D.	Width	List Price
608-125-050	1-1/4	1/2	\$ 9.51
608-152-075	1.520	3/4	9.84

Part Number	O.D.	Width	List Price
608-154-075	1.540	.078	\$ 9.84
608-166-062	1.66	.625	9.09

## STYLE 609 NYLON WEAR RINGS 3/32" THICK

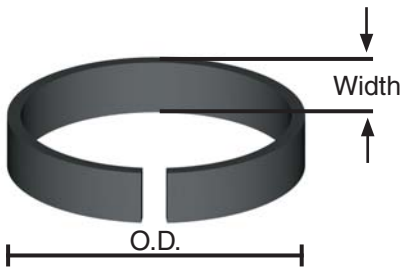


SEAL INFORMATION	
TEMPERATURE RANGE	-40° TO +275° F
TENSILE STRENGTH	25,000 PSI
COMPRESSIVE STRENGTH	26,000 PSI
PART NUMBER	(Prefix) - (OD) - (Width)

Part Number	O.D.	Width	List Price
609-125-018	1-1/4	3/16	\$ 3.00
609-125-037	1-1/4	3/8	27.66
609-150-018	1-1/2	3/16	3.72
609-150-037	1-1/2	3/8	10.14
609-200-019	2	3/16	3.72
609-200-037	2	3/8	10.61
609-218-037	2-3/16	3/8	6.18
609-250-037	2-1/2	3/8	10.77
609-255-150	2.55	1-1/2	14.41
609-285-100	2.85	1	10.46

Part Number	O.D.	Width	List Price
609-300-022	3	7/32	\$ 2.83
609-325-037	3-1/4	3/8	11.27
609-331-062	3-5/16	5/8	5.36
609-350-050	3-1/2	1/2	5.94
609-362-022	3-5/8	7/32	7.14
609-393-022	3-15/16	7/32	2.94
609-400-037	4	3/8	12.47
609-500-050	5	1/2	13.60
609-600-050	6	1/2	14.01

# STYLE 610 NYLON WEAR RINGS .100" THICK



## SEAL INFORMATION

TEMPERATURE RANGE	-40° TO +275° F
TENSILE STRENGTH	25,000 PSI
COMPRESSIVE STRENGTH	26,000 PSI
PART NUMBER	(Prefix) - (OD) - (Width)

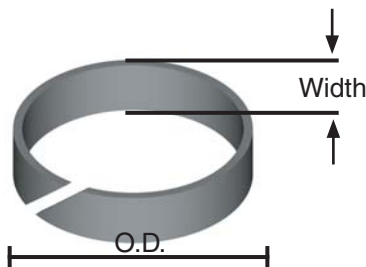
Part Number	O.D.	Width	List Price
610-270-228	2.70	2.28	\$ 61.87
610-295-196	2.95	1.96	51.97
610-300-099-SC	3.00	.99	12.54
610-320-117-SC	3.20	1.17	44.07
610-325-112	3.25	1-1/8	47.60
610-345-162-SC	3.45	1-5/8	42.65
610-345-196	3.45	1.96	48.26
610-345-274-SC	3.45	2.74	69.72
610-370-176	3.70	1.76	78.03
610-370-188-SC	3.70	1.88	70.06

Part Number	O.D.	Width	List Price
610-370-236-SC	3.70	2.36	\$ 54.70
610-395-243	3.95	2-7/16	80.07
610-420-156-SC	4.20	1-9/16	66.35
610-420-255	4.20	2.55	55.87
610-445-237	4.45	2-3/8	62.43
610-470-196-SC	4.70	1.96	38.59
610-495-196-SC	4.95	1.96	78.75
610-520-250	5.20	2-1/2	78.03
610-595-361	5.95	3.61	118.13
610-720-314	7.20	3.14	105.63

## STYLE PB POWERBANDS™ 1/8" THICK

Our Company is pleased to introduce our new line of Powerband™ tight tolerance premium wear-rings. Manufactured from a highly engineered blend of premium nylon, glass fiber, and PTFE, Powerbands™ offer a high strength wear-ring for all cylinder applications, including those with minimal lubrication. And, with a Coefficient of Friction nearly 50% lower than our standard product, your cylinders will run smoother and more efficiently than ever.

All Powerbands™ are fully machined with cross-section tolerances of only  $\pm 0.001"$ , chamfered corners, and scarf or angle-cut end gaps. Compared to standard tolerances of  $\pm 0.0025"$ , this tightened tolerance improves the alignment and concentric operation of cylinder rods and pistons. The fully machined chamfered corners will better accommodate cylinder housing grooves, further improving piston and rod alignment. Lastly, the scarf-cut end gap reduces the loss of bearing support that may occur during cylinder side-loading. When combined, these features reduce the tolerance stack-up within the components of the cylinder. As a result, your cylinders will operate more consistently and be capable of operating at higher pressures and higher side loads than with standard wear-ring products. Furthermore, with this improved cylinder operation, your seals will last longer and the life of your cylinder will be extended. Powerbands™ are currently available in our most popular wear-ring dimensions, as shown here. If you do not see your size or would like more information on this innovative product, please contact your Sales Representative.



### SEAL INFORMATION

TEMPERATURE RANGE	-40° TO +275° F
TENSILE STRENGTH	20,000 PSI
FLEXURAL STRENGTH	34,000 PSI
COMPRESSIVE STRENGTH	20,000 PSI
PART NUMBER	(Prefix) - (OD) - (Width)

Part Number	O.D.	List Price
<b>1/4" WIDE</b>		
PB12-150-025-SC	1-1/2	\$ 3.70
PB12-175-025-SC	1-3/4	7.17
PB12-200-025-SC	2	3.85
PB12-225-025-SC	2-1/4	7.48
PB12-250-025-SC	2-1/2	4.45
PB12-300-025-SC	3	4.59
PB12-325-025-SC	3-1/4	4.93
PB12-350-025-SC	3-1/2	5.42
PB12-387-025-SC	3-7/8	6.33
PB12-400-025-SC	4	9.00
PB12-425-025-SC	4-1/4	6.18
<b>5/16" WIDE</b>		
PB12-250-031-SC	2-1/2	\$ 7.17
PB12-400-031-SC	4	9.07
<b>3/8" WIDE</b>		
PB12-100-037-SC	1	\$ 7.55
PB12-112-037-SC	1-1/8	7.55
PB12-125-037-SC	1-1/4	7.70
PB12-150-037-SC	1-1/2	4.74
PB12-162-037-SC	1-5/8	8.55
PB12-175-037-SC	1-3/4	4.52
PB12-200-037-SC	2	4.52
PB12-225-037-SC	2-1/4	4.76
PB12-250-037-SC	2-1/2	4.93

Part Number	O.D.	List Price
<b>3/8" WIDE</b>		
PB12-275-037-SC	2-3/4	\$ 5.02
PB12-300-037-SC	3	5.09
PB12-325-037-SC	3-1/4	5.22
PB12-350-037-SC	3-1/2	5.25
PB12-375-037-SC	3-3/4	6.66
PB12-400-037-SC	4	6.66
PB12-425-037-SC	4-1/4	6.88
PB12-450-037-SC	4-1/2	8.39
PB12-500-037-SC	5	7.17
PB12-550-037-SC	5-1/2	10.53
PB12-600-037-SC	6	8.12
<b>1/2" WIDE</b>		
PB12-125-050-SC	1-1/4	\$ 7.86
PB12-137-050-SC	1-3/8	8.09
PB12-150-050-SC	1-1/2	4.74
PB12-162-050-SC	1-5/8	4.70
PB12-175-050-SC	1-3/4	4.45
PB12-187-050-SC	1-7/8	8.24
PB12-200-050-SC	2	4.76
PB12-212-050-SC	2-1/8	7.48
PB12-225-050-SC	2-1/4	4.76
PB12-250-050-SC	2-1/2	4.97
PB12-275-050-SC	2-3/4	5.02
PB12-287-050-SC	2-7/8	7.01

Part Number	O.D.	List Price
<b>1/2" WIDE</b>		
PB12-300-050-SC	3	\$ 5.09
PB12-325-050-SC	3-1/4	5.22
PB12-350-050-SC	3-1/2	5.25
PB12-375-050-SC	3-3/4	5.35
PB12-400-050-SC	4	5.35
PB12-425-050-SC	4-1/4	5.51
PB12-450-050-SC	4-1/2	5.62
PB12-475-050-SC	4-3/4	5.62
PB12-500-050-SC	5	5.62
PB12-525-050-SC	5-1/4	5.62
PB12-550-050-SC	5-1/2	5.62
PB12-575-050-SC	5-3/4	10.68
PB12-600-050-SC	6	6.41
PB12-625-050-SC	6-1/4	11.29
PB12-650-050-SC	6-1/2	7.37
PB12-700-050-SC	7	7.37
PB12-750-050-SC	7-1/2	7.37
PB12-800-050-SC	8	8.00
PB12-850-050-SC	8-1/2	22.59
PB12-1000-050-SC	10	51.57
<b>5/8" WIDE</b>		
PB12-200-062-SC	2	\$ 4.88
PB12-225-062-SC	2-1/4	5.02
PB12-250-062-SC	2-1/2	5.31

# STYLE PB POWERBANDS™ 1/8" THICK

POWERBANDS

Part Number	O.D.	List Price
<b>5/8" WIDE</b>		
PB12-275-062-SC	2-3/4	\$ 5.40
PB12-300-062-SC	3	5.09
PB12-325-062-SC	3-1/4	5.71
PB12-350-062-SC	3-1/2	5.84
PB12-375-062-SC	3-3/4	6.03
PB12-400-062-SC	4	6.26
PB12-425-062-SC	4-1/4	6.26
PB12-450-062-SC	4-1/2	6.26
PB12-475-062-SC	4-3/4	6.14
PB12-500-062-SC	5	6.26
PB12-525-062-SC	5-1/4	6.26
PB12-550-062-SC	5-1/2	6.65
PB12-575-062-SC	5-3/4	11.37
PB12-600-062-SC	6	6.85
PB12-650-062-SC	6-1/2	7.37
PB12-625-062-SC	6-1/4	11.75
PB12-700-062-SC	7	7.37
PB12-750-062-SC	7-1/2	8.62
PB12-800-062-SC	8	16.49
<b>3/4" WIDE</b>		
PB12-175-075-SC	1-3/4	\$ 5.68
PB12-200-075-SC	2	5.08
PB12-212-075-SC	2-1/8	8.09
PB12-225-075-SC	2-1/4	4.93
PB12-237-075-SC	2-3/8	8.31
PB12-250-075-SC	2-1/2	5.90
PB12-262-075-SC	2-5/8	8.55
PB12-275-075-SC	2-3/4	6.14
PB12-300-075-SC	3	5.84
PB12-325-075-SC	3-1/4	5.84
PB12-350-075-SC	3-1/2	5.87
PB12-362-075-SC	3-5/8	13.12
PB12-375-075-SC	3-3/4	6.14
PB12-400-075-SC	4	5.87
PB12-425-075-SC	4-1/4	6.48
PB12-450-075-SC	4-1/2	6.12

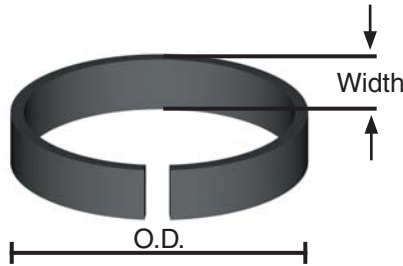
Part Number	O.D.	List Price
<b>3/4" WIDE</b>		
PB12-475-075-SC	4-3/4	\$ 6.26
PB12-500-075-SC	5	6.26
PB12-525-075-SC	5-1/4	6.40
PB12-550-075-SC	5-1/2	6.40
PB12-575-075-SC	5-3/4	11.75
PB12-600-075-SC	6	6.65
PB12-625-075-SC	6-1/4	12.51
PB12-650-075-SC	6-1/2	9.24
PB12-700-075-SC	7	8.45
PB12-750-075-SC	7-1/2	8.62
PB12-800-075-SC	8	11.34
PB12-900-075-SC	9	30.07
PB12-1000-075-SC	10	53.11
<b>7/8" WIDE</b>		
PB12-400-087-SC	4	\$ 12.59
<b>1" WIDE</b>		
PB12-175-100-SC	1-3/4	\$ 7.93
PB12-200-100-SC	2	8.81
PB12-225-100-SC	2-1/4	6.26
PB12-250-100-SC	2-1/2	6.55
PB12-275-100-SC	2-3/4	6.45
PB12-300-100-SC	3	5.68
PB12-325-100-SC	3-1/4	6.26
PB12-350-100-SC	3-1/2	6.38
PB12-375-100-SC	3-3/4	6.41
PB12-387-100-SC	3-7/8	12.59
PB12-400-100-SC	4	6.88
PB12-425-100-SC	4-1/4	8.39
PB12-450-100-SC	4-1/2	8.39
PB12-475-100-SC	4-3/4	8.45
PB12-500-100-SC	5	8.45
PB12-525-100-SC	5-1/4	9.11
PB12-550-100-SC	5-1/2	8.56
PB12-575-100-SC	5-3/4	15.18
PB12-600-100-SC	6	8.69
PB12-625-100-SC	6-1/4	8.83

Part Number	O.D.	List Price
<b>1" WIDE</b>		
PB12-650-100-SC	6-1/2	\$ 9.38
PB12-675-100-SC	6-3/4	17.24
PB12-700-100-SC	7	12.59
PB12-725-100-SC	7-1/4	21.90
PB12-750-100-SC	7-1/2	19.42
PB12-800-100-SC	8	19.42
PB12-825-100-SC	8-1/4	28.08
PB12-850-100-SC	8-1/2	29.53
PB12-875-100-SC	8-3/4	30.83
PB12-900-100-SC	9	26.56
PB12-925-100-SC	9-1/4	47.76
PB12-950-100-SC	9-1/2	49.29
PB12-1000-100-SC	10	64.31
PB12-1050-100-SC	10-1/2	66.84
PB12-1100-100-SC	11	73.40
PB12-1200-100-SC	12	83.77
<b>1-1/8" WIDE</b>		
PB12-350-112-SC	3-1/2	\$ 13.35
<b>1-1/4" WIDE</b>		
PB12-325-125-SC	3-1/4	\$ 12.43
PB12-375-125-SC	3-3/4	14.11
PB12-400-125-SC	4	13.35
PB12-425-125-SC	4-1/4	14.11
PB12-550-125-SC	5-1/2	13.97
PB12-600-125-SC	6	14.73
<b>1-1/2" WIDE</b>		
PB12-275-150-SC	2-3/4	\$ 9.61
PB12-325-150-SC	3-1/4	12.90
PB12-350-150-SC	3-1/2	13.74
PB12-425-150-SC	4-1/4	14.87
PB12-450-150-SC	4-1/2	15.18
PB12-475-150-SC	4-3/4	15.94
PB12-600-150-SC	6	15.18
PB12-625-150-SC	6-1/4	15.94
PB12-650-150-SC	6-1/2	16.63
PB12-700-150-SC	7	24.27

# STYLE 612 NYLON WEAR RINGS 1/8" THICK

Style 612 wear rings are made of glass reinforced nylon. With physical properties equivalent to bronze, they are highly recommended because of their wear rate and non-scoring properties and their ability to ingest metal chips.

**NOTE:** "SC" suffix designates a Scarf Cut wear ring, "ST" a Step Cut wear ring, and "SL" Slots on the O.D.



P= PRECISION OR TIGHT TOLERANCE RADIAL WALL

## SEAL INFORMATION

TEMPERATURE RANGE	-40° TO +275° F
TENSILE STRENGTH	25,000 PSI
COMPRESSIVE STRENGTH	26,000 PSI
PART NUMBER	(Prefix) - (OD) - (Width)

WEAR RINGS

Part Number	O.D.	List Price
<b>0.16" WIDE</b>		
612-200-016	2	\$ 13.71
612-250-016P	2-1/2	8.54
612-300-016P	3	16.46
612-350-016P	3-1/2	18.19
<b>3/16" WIDE</b>		
612-250-018	2-1/2	\$ 3.82
<b>1/4" WIDE</b>		
612-150-025	1-1/2	\$ 2.49
612-175-025	1-3/4	3.15
612-200-025	2	2.75
612-225-025	2-1/4	2.84
612-250-025	2-1/2	3.15
612-275-025	2-3/4	7.38
612-300-025	3	3.29
612-306-025	3-1/16	6.46
612-350-025	3-1/2	3.97
612-325-025	3-1/4	3.52
612-387-025	3-7/8	5.22
612-425-025	4-1/4	10.08
612-1000-025	10	61.42
<b>17/64" WIDE</b>		
612-218-026	2-3/16	\$ 3.11
<b>5/16" WIDE</b>		
612-225-031	2-1/4	\$ 3.41
612-250-031	2-1/2	3.20
612-275-031	2-3/4	3.57
612-275-031P	2-3/4	6.11
612-300-031	3	3.52
612-325-031	3-1/4	3.57
612-400-031	4	11.39
<b>3/8" WIDE</b>		
612-100-037	1	\$ 3.20
612-112-037	1-1/8	3.20

Part Number	O.D.	List Price
<b>3/8" WIDE</b>		
612-125-037	1-1/4	\$ 3.20
612-150-037	1-1/2	3.20
612-162-037	1-5/8	4.27
612-175-037	1-3/4	3.24
612-200-037	2	3.24
612-212-037	2-1/8	3.41
612-250-037	2-1/2	3.52
612-225-037	2-1/4	3.41
612-275-037	2-3/4	3.57
612P-300-037P	3	5.33
612-300-037-SC	3	3.64
612-325-037	3-1/4	3.73
612-350-037	3-1/2	3.76
612-375-037	3-3/4	4.76
612-400-037	4	4.76
612-425-037	4-1/4	4.89
612-450-037	4-1/2	4.97
612-500-037	5	5.11
612-550-037	5-1/2	4.02
612-600-037	6	5.79
612-650-037	6-1/2	9.63
<b>0.42" WIDE</b>		
612-412-042	4-1/8	\$ 15.09
<b>7/16" WIDE</b>		
612-350-043	3-1/2	\$ 8.88
<b>1/2" WIDE</b>		
612-125-050	1-1/4	\$ 3.89
612-150-050	1-1/2	3.20
612-137-050	1-3/8	3.73
612-162-050	1-5/8	3.15
612-175-050	1-3/4	3.15
612-187-050	1-7/8	3.33
612R-200-050P	2	6.60

Part Number	O.D.	List Price
<b>1/2" WIDE</b>		
612-200-050	2	\$ 3.41
612-200-050-ST	2	7.84
612-212-050	2-1/8	3.85
612-218-050	2-3/16	10.56
612-225-050	2-1/4	3.41
612-225-050-SC	2-1/4	6.06
612-250-050	2-1/2	3.54
612-250-050-ST	2-1/2	5.88
612-237-050	2-3/8	3.52
612-262-050	2-5/8	6.11
612-275-050	2-3/4	3.57
612-287-050	2-7/8	4.40
612-300-050-ST	3	10.91
612-300-050P	3	9.07
612-300-050P-SC	3	13.93
612-300-050	3	3.64
612-312-050	3-1/8	3.73
612-325-050	3-1/4	3.73
612-350-050	3-1/2	3.76
612-362-050	3-5/8	7.43
612-375-050	3-3/4	3.82
612-375-050-ST	3-3/4	17.09
612-375-050P-SC	3-3/4	10.23
612-400-050	4	3.82
612-425-050	4-1/4	3.93
612-426-050	4.26	11.86
612-437-050-SC	4-3/8	12.48
612-450-050	4-1/2	4.02
612-450-050P	4-1/2	7.94
612-475-050	4-3/4	4.02
612-500-050	5	4.02
612-525-050	5-1/4	4.02
612-550-050P	5-1/2	16.76
612-550-050-ST	5-1/2	7.94

# STYLE 612 NYLON WEAR RINGS 1/8" THICK

Part Number	O.D.	List Price
<b>1/2" WIDE</b>		
612-550-050	5-1/2	\$ 4.02
612-575-050	5-3/4	4.58
612-600-050P-SC	6	8.33
612-600-050	6	4.58
612-625-050	6-1/4	5.27
612-650-050	6-1/2	5.27
612-700-050	7	5.27
612-700-149-ST	7	19.45
612-725-050	7-1/4	9.42
612-750-050	7-1/2	5.27
612-775-050	7-3/4	19.17
612-800-050	8	5.73
612-850-050	8-1/2	6.36
612-862-050	8-5/8	9.45
612-900-050	9	10.15
612-950-050	9-1/2	10.62
612-975-050	9-3/4	10.85
612-987-050	9-7/8	17.78
612-1000-050	10	17.78
612-1050-050	10-1/2	27.32
612-1100-050	11	50.65
612-1200-050	12	30.92
612-1400-050	14	222.91
612-1600-050	16	254.75
<b>5/8" WIDE</b>		
612-150-062	1-1/2	\$ 3.20
612-200-062	2	3.49
612-225-062	2-1/4	3.57
612-250-062	2-1/2	3.80
612-262-062	2-5/8	3.85
612-275-062	2-3/4	3.85
612-275-062-SC	2-3/4	10.90
612-300-062	3	3.85
612-325-062	3-1/4	4.06
612-350-062-ST	3-1/2	9.74
612-350-062	3-1/2	4.18
612-362-062	3-5/8	6.58
612-375-062	3-3/4	4.30
612-400-062	4	4.48
612-400-062-ST	4	4.48
612-425-062	4-1/4	4.48
612-440-062	4.4	4.48
612-450-062	4-1/2	4.48
612-500-062	5	4.48
612-525-062	5-1/4	4.48
612-550-062	5-1/2	4.75
612-575-062	5-3/4	4.89

Part Number	O.D.	List Price
<b>5/8" WIDE</b>		
612-600-062	6	\$ 4.89
612-600-062-SC	6	17.53
612-625-062	6-1/4	4.93
612-650-062	6-1/2	5.27
612-700-062	7	5.27
612-700-062-SC	7	10.00
612-725-062	7-1/4	11.78
612-750-062	7-1/2	6.15
612-800-062	8	11.78
612-850-062	8-1/2	9.06
612-900-062	9	9.53
612-950-062	9-1/2	10.76
612-1000-062	10	27.58
<b>11/16" WIDE</b>		
612-700-068	7	\$ 26.62
<b>0.74" WIDE</b>		
612-250-074-SC	2-1/2	\$ 7.55
<b>3/4" WIDE</b>		
612-175-075	1-3/4	\$ 4.05
612-187-075	1-7/8	3.55
612-200-075	2	3.63
612-212-075	2-1/8	3.49
612-225-075	2-1/4	3.52
612-225-075-SC	2-1/4	6.31
612-237-075	2-3/8	4.22
612-250-075	2-1/2	4.22
612-262-075	2-5/8	4.31
612-275-075	2-3/4	4.39
612-287-075	2-7/8	6.98
612-300-075	3	4.18
612-325-075	3-1/4	4.18
612-337-075	3-3/8	4.18
612-350-075	3-1/2	4.20
612-350-075P	3-1/2	14.62
612-362-075	3-5/8	4.20
612-375-075	3-3/4	4.39
612-400-075	4	4.20
612-425-075	4-1/4	4.64
612-450-075	4-1/2	4.38
612-450-075-SC	4-1/2	8.02
612-475-075	4-3/4	4.48
612-487-075	4-7/8	7.35
612-500-075	5	4.48
612-525-075	5-1/4	4.57
612-550-075	5-1/2	4.57
612-575-075	5-3/4	5.88

Part Number	O.D.	List Price
<b>3/4" WIDE</b>		
612-600-075	6	\$ 4.75
612-625-075	6-1/4	5.25
612-650-075	6-1/2	5.27
612-675-075	6-3/4	6.04
612-700-075	7	6.04
612-725-075	7-1/4	7.09
612-750-075	7-1/2	6.15
612-800-075	8	8.11
612-825-075	8-1/4	14.43
612-850-075	8-1/2	11.15
612-900-075	9	11.60
612-900-075-SC	9	17.23
612-950-075	9-1/2	16.90
612-975-075	9-3/4	18.47
612-1000-075	10	18.47
612-1025-075	10-1/4	73.07
612-1150-075	11-1/2	40.51
612-1250-075	12-1/2	146.27
612-1350-075	13-1/2	216.96
<b>7/8" WIDE</b>		
612-100-087-SC	1	\$ 29.51
612-225-087-SC	2-1/4	6.42
612-250-087	2-1/2	6.76
612-287-087	2-7/8	12.43
612-350-087	3-1/2	8.65
612-400-087	4	8.83
612-425-087P	4-1/4	20.45
612-450-087	4-1/2	10.35
612-600-087	6	12.47
612-800-087	8	24.14
<b>15/16" WIDE</b>		
612-275-093-SC	2-3/4	\$ 10.76
612-450-093-SC	4-1/2	13.35
<b>0.99" WIDE</b>		
612-300-099-SC	3	\$ 13.48
612-400-099-SC	4	16.88
612-425-099-SC	4-1/4	21.89
612-450-099-SC	4-1/2	12.74
612-475-099-SC	4-3/4	23.09
<b>1" WIDE</b>		
612-150-100	1-1/2	\$ 7.41
612-175-100	1-3/4	4.67
612-200-100	2	6.28
612-200-100P-SC	2	10.67
612-250-100P	2-1/4	30.12
612-225-100	2-1/4	8.68

# STYLE 612 NYLON WEAR RINGS 1/8" THICK

WEAR RINGS

Part Number	O.D.	List Price
<b>1" WIDE</b>		
612-225-100-SC	2-1/4	\$ 6.91
612-250-100	2-1/2	4.67
612-250-100-ST	2-1/2	8.35
612-262-100	2-5/8	18.08
612-275-100	2-3/4	4.61
612-275-100-ST	2-3/4	15.85
612-275-100P-SC	2-3/4	19.09
612-287-100	2-7/8	4.64
612-300-100	3	4.05
612-300-100-ST	3	6.77
612-312-100	2-1/8	6.41
612-325-100-SC	3-1/4	7.93
612-325-100	3-1/4	4.48
612-350-100	3-1/2	4.54
612-350-100-ST	3-1/2	13.42
612-350-100-SL	3-1/2	18.12
612-362-100	3-5/8	15.07
612-375-100	3-3/4	4.58
612-375-100P-SC	3-3/4	12.60
612-387-100	3-7/8	12.29
612-387-100-SC	3-7/8	12.29
612-400-100	4	4.90
612-400-100-SL	4	35.78
612-400-100P-SC	4	24.25
612-412-100	4-1/8	13.91
612-425-100	4-1/4	6.00
612-425-100P	4-1/4	10.91
612-537-100-SC	5-3/8	12.76
612-450-100	4-1/2	6.00
612-475-100	4-3/4	6.04
612-500-100	5	6.04
612-525-100	5-1/4	6.50
612-550-100	5-1/2	6.11
612-575-100	5-3/4	6.22
612-600-100	6	6.22
612-625-100	6-1/4	6.30
612-650-100	6-1/2	6.72
612-675-100	6-3/4	8.58
612-700-100	7	8.98
612-725-100	7-1/4	13.86
612-750-100	7-1/2	13.86
612-775-100	7-3/4	24.11
612-787-100	7-7/8	30.46
612-800-100	8	13.86
612-825-100	8-1/4	14.84
612-850-100	8-1/2	18.62
612-862-100	8-5/8	26.72

Part Number	O.D.	List Price
<b>1" WIDE</b>		
612-875-100	8-3/4	\$ 28.55
612-900-100	9	18.97
612-912-100	9-1/8	27.30
612-925-100	9-1/4	27.77
612-950-100	9-1/2	34.26
612-1000-100	10	20.34
612-1025-100	10-1/4	15.87
612-1050-100	10-1/2	54.41
612-1100-100	11	53.75
612-1200-100P	12	51.87
612-1225-100	12-1/4	137.45
612-1325-100	13-1/4	103.60
612-1400-100	14	110.84
612-1600-100	16	107.71
<b>1.02" WIDE</b>		
612-525-102-SC	5-1/4	\$ 34.52
<b>1-1/16" WIDE</b>		
612-600-107	6	\$ 29.58
<b>1.11" WIDE</b>		
612-325-111	3-1/4	\$ 14.56
612-500-111-SC	5	14.95
<b>1-1/8" WIDE</b>		
612-350-112-SC	3-1/2	\$ 11.63
612-500-112	5	15.26
<b>1.24" WIDE</b>		
612-300-124-SC	3	\$ 18.90
612-375-124-SC	3-3/4	12.82
612-425-124-SC	4-1/4	11.99
612-475-124-SC	4-3/4	17.92
612-500-124	5	32.50
612-600-124-SC	6	23.45
<b>1-1/4" WIDE</b>		
612-225-125P	2-1/4	\$ 36.71
612-325-125	3-1/4	16.68
612-375-125	3-3/4	16.72
612-400-125	4	11.08
612-425-125-SC	4-1/4	10.68
612-425-125	4-1/4	12.23
612-475-125-SC	4-3/4	11.18
612-525-125	5-1/4	26.79
612-525-125-SC	5-1/4	12.04
612-550-125	5-1/2	17.11
612-600-125	6	22.31
612-676-125P-SC	6.756	34.04
612-650-125	6-1/2	24.00
612-825-125	8-1/4	24.86

Part Number	O.D.	List Price
<b>1-1/4" WIDE</b>		
612-950-125	9-1/2	\$ 41.27
612-1000-125	10	26.89
612-1025-125-SC	10-1/4	78.37
612-1050-125	10-1/2	58.28
612-1100-125	11	58.39
612-1125-125	11-1/4	91.62
612-1150-125	11-1/2	71.57
612-1200-125	12	96.27
612-1225-125	12-1/4	142.09
612-1400-125	14	275.93
<b>1-5/16" WIDE</b>		
612-600-131-SC	6	\$ 25.05
<b>1-3/8" WIDE</b>		
612-550-137	5-1/2	\$ 33.05
612-650-137	6-1/2	21.73
612-725-138	7-1/4	47.84
<b>1.46" WIDE</b>		
612-800-146-ST	8	\$ 43.12
<b>1.49" WIDE</b>		
612-375-149	3-3/4	\$ 24.21
612-425-149-SC	4-1/4	16.00
612-450-149-SC	4-1/2	18.43
612-525-149	5-1/4	21.09
612-625-149-SC	6-1/4	26.17
612-650-149-SC	6-1/2	21.84
612-750-149-SC	7-1/2	37.64
<b>1-1/2" WIDE</b>		
612-200-150	2	\$ 26.31
612-275-150	2-3/4	12.98
612-275-150P	2-3/4	45.81
612-325-150-ST	3-1/4	12.72
612-325-150P	3-1/4	12.98
612-350-150	3-1/2	12.99
612-400-150	4	27.25
612-425-150P	4-1/4	23.14
612-450-150	4-1/2	18.79
612-475-150	4-3/4	20.66
612-575-150	5-3/4	22.55
612-600-150	6	26.17
612-600-150-ST	6	34.63
612-625-150	6-1/4	21.42
612-650-150-ST	6-1/2	21.84
612-675-150P	6-3/4	21.58
612-700-150	7	10.92
612-850-150-ST	8-1/2	34.27
612-900-150	9	103.28

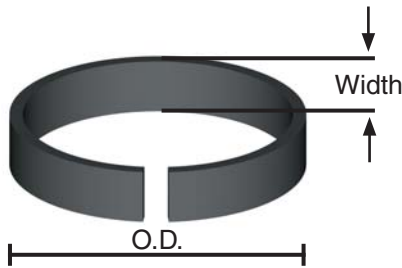
# STYLE 612 NYLON WEAR RINGS 1/8" THICK

Part Number	O.D.	List Price
<b>1-1/2" WIDE</b>		
612-925-150-SC	9-1/4	\$ 91.22
612-962-150P-SC	9-5/8	67.57
612-1000-150	10	54.17
612-1050-150-ST	10-1/2	148.39
612-1200-150	12	101.98
612-1300-150	13	261.44
<b>1-1/2" WIDE</b>		
612-1400-150	14	\$ 184.35
612-1600-150	16	271.57
<b>1.55" WIDE</b>		
612-325-155	3-1/4	\$ 18.08
612-500-155-SC	5	15.77
<b>1-9/16" WIDE</b>		
612-475-156	4-3/4	\$ 30.39
612-512-156	5-1/8	19.15
612-512-156-SC	5-1/8	19.15
<b>1.61" WIDE</b>		
612-550-161	5-1/2	\$ 42.04
612-575-161-SC	5-3/4	67.68
<b>1-5/8" WIDE</b>		
612-325-162-SC	3-1/4	\$ 16.20
612-1100-162	11	130.88
<b>1.64" WIDE</b>		
612-475-164-SC	4-3/4	\$ 32.83
<b>1.74" WIDE</b>		
612-550-175-SC	5-1/2	\$ 22.65
612-600-174-SC	6	42.28
612-625-174-SC	6-1/4	43.69
612-650-174	6-1/2	43.49
612-700-174	7	43.61
612-825-174-SC	8-1/4	43.24
<b>1-3/4" WIDE</b>		
612-500-175	5	\$ 19.08
612-575-175	5-3/4	20.37
612-1000-175	10	95.45
<b>1.86" WIDE</b>		
612-450-186	4-1/2	\$ 30.49
<b>1-7/8" WIDE</b>		
612-1100-187	11	\$ 165.80
<b>1.88" WIDE</b>		
612-425-188	4-1/4	\$ 23.14
<b>1.99" WIDE</b>		
612-375-199	3-3/4	\$ 34.53
612-475-199	4-3/4	84.42
612-550-199	5-1/2	46.38

Part Number	O.D.	List Price
<b>1.99" WIDE</b>		
612-575-199	5-3/4	\$ 52.91
612-650-199-SC	6-1/2	36.87
612-700-199-SC	7	45.33
612-725-199-SC	7-1/4	47.03
612-775-199	7-3/4	50.57
<b>2" WIDE</b>		
612-275-200P-SC	2-3/4	\$ 15.59
612-325-200	3-1/4	21.36
612-325-200P-SC	3-1/4	21.36
612-475-200	4-3/4	29.77
612-525-200P-SC	5-1/4	32.50
612-600-200	6	32.82
612-625-200	6-1/4	35.29
612-625-200P-SC	6-1/4	21.97
612-650-200	6-1/2	41.35
612-700-200	7	41.35
612-725-200	7-1/4	47.98
612-725-200P-SC	7-1/4	47.03
612-750-200	7-1/2	40.91
612-800-200	8	63.47
612-850-200	8-1/2	47.03
612-900-200	9	154.56
612-1200-200	12	111.90
<b>2-1/8" WIDE</b>		
612-325-212-SC	3-1/4	\$ 22.07
612-825-212-SC	8-1/4	66.99
<b>2.24" WIDE</b>		
612-550-224-SC	5-1/2	\$ 54.45
612-825-224-SC	8-1/4	71.63
<b>2-1/4" WIDE</b>		
612-925-225	9-1/4	\$ 110.21
<b>2.36" WIDE</b>		
612-450-236	4-1/2	\$ 50.79
612-575-236	5-3/4	72.47
612-700-236-SC	7	108.68
612-750-236	7-1/2	69.68
612-850-236	8-1/2	96.88
<b>2-3/8" WIDE</b>		
612-850-237	8-1/2	\$ 56.18
<b>2.49" WIDE</b>		
612-426-249-SC	4.26	\$ 44.82
612-750-249-SC	7-1/2	66.55
612-825-249	8-1/4	110.11
<b>2-1/2" WIDE</b>		
612-750-249-SC	7-1/2	\$ 66.55

Part Number	O.D.	List Price
<b>2.74" WIDE</b>		
612-625-274-SC	6-1/4	\$ 121.31
612-650-274-SC	6-1/2	121.31
612-825-274	8-1/4	88.81
612-1050-274	10-1/2	148.46
<b>2.86" WIDE</b>		
612-600-286	6	\$ 90.41
612-650-286	6-1/2	59.90
<b>2-15/16" WIDE</b>		
612-900-293-SC	9	\$ 69.42
<b>2.95" WIDE</b>		
612-750-295	7-1/2	\$ 176.73
<b>3" WIDE</b>		
612-700-300	7	\$ 112.01
612-850-300	8-1/2	110.56
<b>3-1/8" WIDE</b>		
612-700-312	7	\$ 76.49
<b>3.24" WIDE</b>		
612-1000-324-SC	10	\$ 87.50
<b>3.48" WIDE</b>		
612-650-348-SC	6-1/2	\$ 116.94
<b>3-1/2" WIDE</b>		
612-475-350	4-3/4	\$ 52.47
612-775-350	7-3/4	114.72
<b>3.61" WIDE</b>		
612-525-361-SC	5-1/4	\$ 67.25
<b>3.74" WIDE</b>		
612-1050-374-SC	10-1/2	\$ 87.85
<b>3-3/4" WIDE</b>		
612-1050-375	10-1/2	\$ 121.82
<b>3-7/8" WIDE</b>		
612-1150-387	11-1/2	96.43
<b>3.99" WIDE</b>		
612-1250-399-SC	12-1/2	\$ 169.42
612-1275-399-SC	12-3/4	193.28
612-1375-399-SC	13-3/4	213.23
612-1425-399-SC	14-1/4	222.63
<b>4" WIDE</b>		
612-1050-400	10-1/2	\$ 131.81
<b>4.11" WIDE</b>		
612-825-411-SC	8-1/4	\$ 75.80
<b>5" WIDE</b>		
612-800-500	8	\$ 107.58
<b>7.1" WIDE</b>		
612-725-710	7-1/4	\$ 224.40

# STYLE 616 NYLON WEAR RINGS 3/16" THICK



## SEAL INFORMATION

TEMPERATURE RANGE	-40° TO +275° F
TENSILE STRENGTH	25,000 PSI
COMPRESSIVE STRENGTH	26,000 PSI
PART NUMBER	(Prefix) - (OD) - (Width)

WEAR RINGS

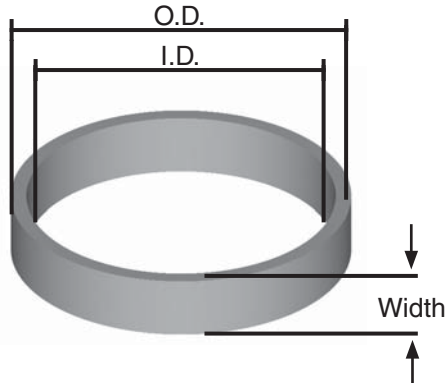
Part Number	O.D.	List Price
<b>1/2" WIDE</b>		
616-3003-050	3	\$ 34.39
616-3503-050	3-1/2	14.65
616-4003-050	4	14.92
616-4503-050	4-1/2	18.38
616-5503-050-SC	5-1/2	23.88
616-8003-050	8	41.85
616-9875-050	9-7/8	76.42
<b>5/8" WIDE</b>		
616-2203-062	2.200	\$ 9.87
616-2623-062	2-5/8	12.95
616-2873-062	2-7/8	9.38
616-3063-062	3-1/16	11.99
616-3253-062	3-1/4	21.54
616-6003-062	6	20.34
<b>3/4" WIDE</b>		
616-3003-075	3	\$ 9.93
616-3503-075	3-1/2	12.07
616-4253-075	4-1/4	13.29
616-5123-075	5-1/8	27.18
616-6123-075	6-1/8	30.76
616-6503-075	6-1/2	43.94
<b>7/8" WIDE</b>		
616-3003-087	3	\$ 11.95
616-4003-087	4	12.59
616-5003-087	5	14.73
616-5503-087	5-1/2	24.33
616-6003-087	6	26.05
616-7123-087	7-1/8	52.71
<b>61/64" WIDE</b>		
616-6123-095	6-1/8	\$ 46.48
<b>1" WIDE</b>		
616-3123-100	3-1/8	\$ 22.21
616-3503-100	3-1/2	21.97
616-3753-100	3-3/4	27.37
616-4003-100	4	27.37
616-4123-100	4-1/8	27.63

Part Number	O.D.	List Price
<b>1" WIDE</b>		
616-4503-100	4-1/2	\$ 29.09
616-5003-100	5	24.27
616-5503-100	5-1/2	33.07
616-5753-100	5-3/4	39.77
616-6003-100	6	37.90
616-6753-100	6-3/4	40.15
616-7123-100	7-1/8	42.66
616-7253-100	7-1/4	42.66
616-8503-100	8-1/2	43.96
616-14003-100	14	257.92
<b>1-1/4" WIDE</b>		
616-3123-125	3-1/8	\$ 38.47
616-3373-125	3-3/8	43.12
616-3623-125	3-5/8	17.23
616-3873-125	3-7/8	21.00
616-5503-125-SC	5-1/2	26.47
616-6003-125	6	25.08
616-7003-125	7	30.95
616-10003-125	10	68.00
<b>1-1/2" WIDE</b>		
616-4373-150	4-3/8	\$ 25.73
616-4875-150	4-7/8	40.31
616-5003-150	5	25.47
616-5503-150	5-1/2	35.45
616-6503-150	6-1/2	42.25
616-8003-150	8	44.83
616-10003-150	10	131.22
<b>1.61" WIDE</b>		
616-7373-161	7-3/8	\$ 88.05
<b>1.74" WIDE</b>		
616-5503-174	5-1/2	\$ 51.88
<b>1-3/4" WIDE</b>		
616-3873-175	3-7/8	\$ 37.79
616-4373-175	4-3/8	58.05
<b>1.93" WIDE</b>		
616-9503-193	9-1/2	\$ 150.59

Part Number	O.D.	List Price
<b>1.99" WIDE</b>		
616-8253-199	8-1/4	\$ 107.95
<b>2-1/4" WIDE</b>		
616-4875-225	4-7/8	\$ 59.90
<b>2.36" WIDE</b>		
616-13875-236-SC	13.882	\$ 130.49
<b>2-1/2" WIDE</b>		
616-12003-250	12	\$ 139.00
<b>2.61" WIDE</b>		
616-11375-261-SC	11.382	\$ 106.96
<b>2.62" WIDE</b>		
616-3873-262	3-7/8	\$ 65.61
<b>2.74" WIDE</b>		
616-6003-274	6	\$ 119.95
616-8253-274	8-1/4	148.89
<b>2.89" WIDE</b>		
616-12873-289	12-7/8	\$ 318.15
<b>3-1/16" WIDE</b>		
616-7253-306	7-1/4	\$ 131.26
<b>4" WIDE</b>		
616-12253-400	12-1/4	\$ 154.30
<b>7.69" WIDE</b>		
616-15125-769-SC	15.127	\$ 549.91
616-16125-769-SC	16.118	519.79
<b>7.85" WIDE</b>		
616-13125-785-SC	13.118	\$ 621.45
<b>9.99" WIDE</b>		
616-13875-999-SC	13.882	\$ 527.73
<b>10.97" WIDE</b>		
616-11375-1097-SC	11.382	\$ 706.01
<b>12.18" WIDE</b>		
616-12875-1218-SC	12-7/8	\$ 731.98

# STYLE 614 NYLON ROD BEARINGS

Style 614 rod bearings are available in nylon material. These products are used extensively in hydraulic cylinders due to their low rate of wear and non-scoring properties. Excellent for those heavy duty applications that require a sturdy bearing. Most of these bearings are solid, although some may be split.



## SEAL INFORMATION

TEMPERATURE RANGE	-40° TO +275° F
TENSILE STRENGTH	25,000 PSI
COMPRESSIVE STRENGTH	26,000 PSI
PART NUMBER	(Prefix) - (ID) - (Width)

WEAR RINGS

Part Number	ID	OD	Width	List Price
614-1253-100	1-1/4	1-1/2	1	\$ 11.05
614-1254-084	1-1/4	1-3/4	27/32	11.62
614-1254-100	1-1/4	1-3/4	1	10.73
614-1255-150	1-1/4	1-7/8	1-1/2	17.66
614-1502-100	1-1/2	1-5/8	.975	4.93
614-1503-100	1-1/2	1-3/4	1	5.03
614-1504-058	1-1/2	2	.580	14.31
614-1504-075	1-1/2	2	3/4	8.24
614-1505-150	1-1/2	2-1/8	1-1/2	26.99
614-1752-100	1-3/4	1-7/8	.975	5.05
614-1753-100	1-3/4	2	1	5.33
614-1754-040	1-3/4	2-1/4	7/16	5.60
614-1754-058	1-3/4	2-1/4	.580	5.74
614-1754-075	1-3/4	2-1/4	3/4	7.80
614-1754-087	1-3/4	2-1/4	7/8	29.27
614-2002-100	2	2-1/8	.975	5.24
614-2003-099	2	2-1/4	1	5.50
614-2004-050	2	2-1/2	1/2	8.58
614-2004-058	2	2-1/2	.580	6.36
614-2004-070	2	2-1/2	.700	54.83
614-2004-075	2	2-1/2	3/4	8.46
614-2004-100	2	2-1/2	1	13.68
614-2252-150	2-1/4	2-3/8	1.475	10.53
614-2253-125	2-1/4	2-1/2	1-1/4	6.98
614-2253-155	2-1/4	2-1/2	1-35/64	8.33
614-2253-225	2-1/4	2-1/2	2-1/4	9.92
614-2254-058	2-1/4	2-3/4	.580	8.86
614-2254-075	2-1/4	2-3/4	3/4	8.51
614-2502-150	2-1/2	2-5/8	1.475	9.39
614-2503-125	2-1/2	2-3/4	1-1/4	6.66
614-2503-155	2-1/2	2-3/4	1-35/64	9.29
614-2504-025	2-1/2	3	1/4	7.24
614-2504-040	2-1/2	3	13/32	13.75

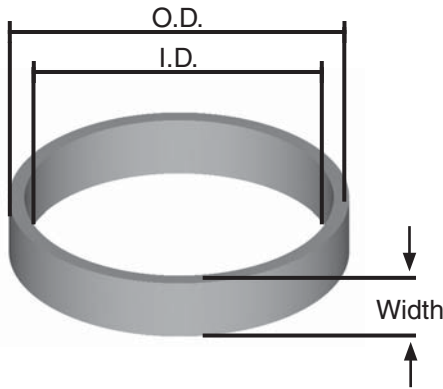
Part Number	ID	OD	Width	List Price
614-2504-058	2-1/2	3	.580	\$ 5.84
614-2504-075	2-1/2	3	3/4	8.83
614-2504-100	2-1/2	3	1	28.09
614-2753-155	2-3/4	3	1-35/64	15.49
614-2754-100	2-3/4	3-1/4	1	16.71
614-2755-100	2-3/4	3-3/8	1	16.19
614-3002-150	3	3-1/8	1.475	11.25
614-3004-046	3	3-1/2	15/32	6.58
614-3004-050	3	3-1/2	1/2	6.76
614-3004-075	3	3-1/2	3/4	9.77
614-3004-100	3	3-1/2	1	14.01
614-3004-150	3	3-1/2	1-1/2	18.15
614-3123-075	3-1/8	3-1/2	3/4	14.77
614-3123-084	3-1/8	3-1/2	.845	15.16
614-3253-037	3-1/4	3-5/8	3/8	14.46
614-3253-100	3-1/4	3-5/8	1	34.88
614-3253-155	3-1/4	3-1/2	1-35/64	9.62
614-3504-025	3-1/2	4	1/4	5.25
614-3504-046	3-1/2	4	15/32	6.08
614-3504-100	3-1/2	4	1	49.96
614-3754-075	3-3/4	4-1/4	3/4	44.63
614-3754-100	3-3/4	4-1/4	1	17.78
614-3755-100	3-3/4	4-3/8	1	16.22
614-4004-025	4	4-1/2	1/4	5.33
614-4004-037	4	4-1/2	3/8	25.05
614-4004-075	4	4-1/2	3/4	9.77
614-4004-084	4	4-1/2	.845	17.80
614-4004-093	4	4-1/2	15/16	24.92
614-4004-100	4	4-1/2	1	15.07
614-4004-150	4	4-1/2	1-1/2	30.88
614-4005-100	4	4-5/8	1	41.86
614-4504-025	4-1/2	5	1/4	7.41
614-4754-100	4-3/4	5-1/4	1	19.19

## STYLE 614 NYLON ROD BEARINGS

Part Number	ID	OD	Width	List Price
614-4754-200	4-3/4	5-1/4	2	\$ 38.67
614-4755-100	4-3/4	5-3/8	1	24.88
614-5004-075	5	5-1/2	3/4	10.29
614-5004-084	5	5-1/2	.845	22.25
614-5004-093	5	5-1/2	15/16	25.76
614-5004-100	5	5-1/2	1	18.63
614-5754-100	5-3/4	6-1/4	1	20.27
614-5755-100	5-3/4	6-3/8	1	28.61
614-6004-037	6	6-1/2	3/8	6.83

Part Number	ID	OD	Width	List Price
614-6004-075	6	6-1/2	3/4	\$ 12.17
614-6004-084	6	6-1/2	.845	19.77
614-6004-093	6	6-1/2	15/16	27.08
614-6004-100	6	6-1/2	1	19.65
614-7004-075	7	7-1/2	3/4	13.25
614-8004-075	8	8-1/2	3/4	16.05
614-8256-075	8-1/4	9	3/4	30.40
614-9006-075	9	9-3/4	3/4	56.43
614-9375-100	9-3/8	10	1	98.42

## STYLE 615 PHENOLIC BEARINGS



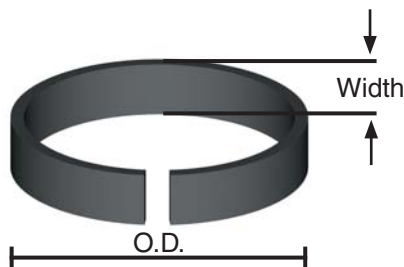
### SEAL INFORMATION

TEMPERATURE RANGE	-40° TO +250° F
TENSILE STRENGTH	10,600 PSI
COMPRESSIVE STRENGTH	34,000 PSI
PART NUMBER	(Prefix)-(OD) (CS)-(Width)

Part Number	ID	OD	Width	List Price
615-1254-075	1-1/4	1-3/4	3/4	\$ 10.73
615-2253-100	2-1/4	2-1/2	1	8.57
615-2504-150	2-1/2	2-3/4	1-1/2	15.70

Part Number	ID	OD	Width	List Price
615-2753-138	2-3/4	3	1.385	\$ 25.45
615-3753-175	3-3/4	4	1.74	47.24

## STYLE 625 NYLON WEAR RING 1/4" THICK



### SEAL INFORMATION

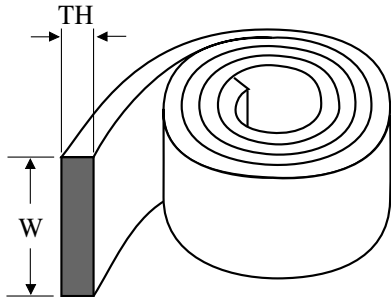
TEMPERATURE RANGE	-40° TO +275° F
TENSILE STRENGTH	25,000 PSI
COMPRESSIVE STRENGTH	26,000 PSI
PART NUMBER	(Prefix)-(OD) (CS)-(Width)

Part Number	OD	Width	List Price
625-650-349	6-1/2	3.49	\$ 159.17
625-650-350	6-1/2	3-1/2	120.71

Part Number	OD	Width	List Price
625-825-350	8-1/4	3-1/2	\$ 149.97

## FLEXIBLE GUIDE BEARINGS - FILLED PTFE

Flexible Guide Bearings are strips of filled PTFE. The material can be cut to any length to fit any rod or bore size without losing its concentricity. The filler material is shown below. **NOTE:** Glass filled material has a thickness tolerance of  $\pm .010$ ". Bronze filled tolerance is  $\pm .0025$ ".



B= BRONZE FILLED PTFE

### SEAL INFORMATION

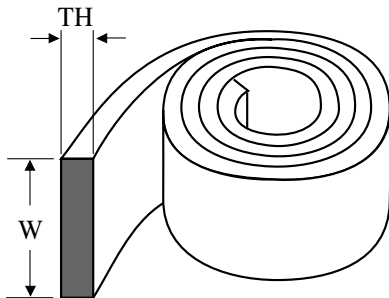
MATERIAL	GLASS FILLED 60% BRONZE FILLED PTFE
TEMPERATURE RANGE	-50° TO +400° F
TENSILE STRENGTH	2,100 PSI
COMPRESSIVE STRENGTH	1,500 PSI
PART NUMBER	(Prefix) - (Width)

Part Number	W Width	TH Thickness	Filler	List Price
606T-025	1/4	1/16	Bronze	\$ 11.88
606T-037	3/8	1/16	Bronze	12.67
606T-050	1/2	1/16	Bronze	13.38
606T-062	5/8	1/16	Bronze	10.31
606T-075	3/4	1/16	Bronze	14.79
606T-100	1	1/16	Bronze	16.83
609T-075	3/4	3/32	Bronze	15.61
609T-100	1	3/32	Bronze	16.83
609T-125	1-1/4	3/32	Bronze	26.75
612T-037B	3/8	1/8	Bronze	8.67

Part Number	W Width	TH Thickness	Filler	List Price
612T-050	1/2	1/8	Glass	\$ 9.28
612T-050B	1/2	1/8	Bronze	20.80
612T-062	5/8	1/8	Glass	11.62
612T-062B	5/8	1/8	Bronze	24.19
612T-075	3/4	1/8	Glass	23.18
612T-075B	3/4	1/8	Bronze	26.57
612T-100	1	1/8	Glass	23.31
612T-100B	1	1/8	Bronze	32.69
612T-112	1-1/8	1/8	Glass	26.00
612T-150	1-1/2	1/8	Glass	31.18

## FLEXIBLE GUIDE BEARINGS - POLYESTER RESIN

Manufactured using woven-fabric-reinforced polyester resin, this material produces a dimensionally accurate rectangular strip which can be cut to any length. A low coefficient of friction and high compressive strength makes it an ideal bearing material. A common radial thickness of 1/8" allows the stacking of various widths. Cutting is made easy by using anvil type pruning shears. Radial wall thickness = 0.123 to 0.125"



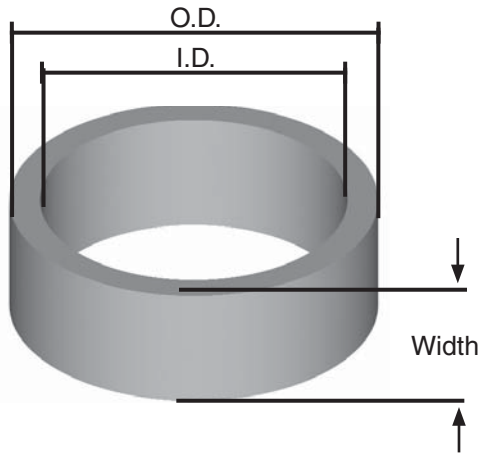
### SEAL INFORMATION

TEMPERATURE RANGE	-40° TO +250° F
TENSILE STRENGTH	8,000 PSI
COMPRESSIVE STRENGTH	24,000 PSI
PART NUMBER	(Prefix) - (Width)

Part Number	W Width	TH Thickness	List Price
612F-037	3/8	1/8	\$ 14.26
612F-050	1/2	1/8	14.88
612F-062	5/8	1/8	18.64

Part Number	W Width	TH Thickness	List Price
612F-075	3/4	1/8	\$ 24.75
612F-100	1	1/8	25.54

## STYLE 660 BRONZE ROD BEARINGS



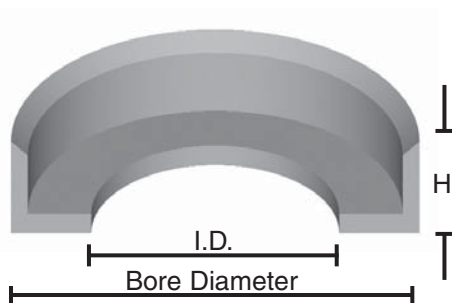
### SEAL INFORMATION

TENSILE STRENGTH	35,000 PSI
YIELD STRENGTH	18,000 PSI
PART NUMBER	(Prefix) - (ID) (CS) - (Width)

Part Number	ID	OD	Width	List Price
660-1754-100	1-3/4	2-1/4	1	\$ 94.62
660-1008-125	1	1-1/2	1-1/4	48.32
660-1004-125	1	1-1/4	1-1/4	49.39

## STYLE FB FOLLOWER BEARINGS

These parts are used as companion pieces for Cascade vee sets, primarily as bearings.



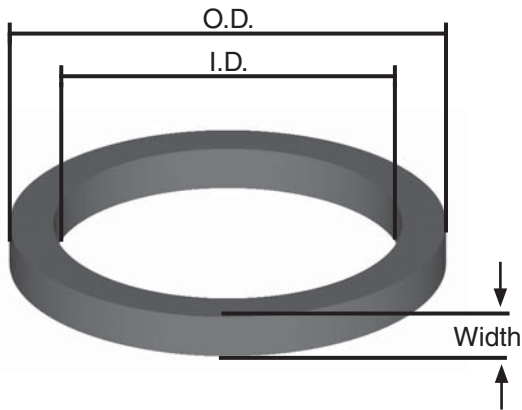
### SEAL INFORMATION

MATERIAL	60D POLYESTER
TEMPERATURE RANGE	-65° TO +220° F
PART NUMBER	(Prefix) - (Bore Diameter)

Part Number	Bore Diameter	List Price	Part Number	Bore Diameter	List Price	Part Number	Bore Diameter	List Price
FB-175	1-3/4	\$ 3.37	FB-300	3	\$ 5.31	FB-425	4-1/4	\$ 8.18
FB-200	2	17.68	FB-325	3-1/4	5.65	FB-475	4-3/4	10.67
FB-225	2-1/4	4.18	FB-350	3-1/2	5.95	FB-550	5-1/2	13.87
FB-250	2-1/2	4.52	FB-400	4	7.30	FB-650	6-1/2	16.14

## STYLE MB MODULAR BACK-UPS

These back-up rings, made from urethane or nylon, are commonly used as spacers for u-seals.



### SEAL INFORMATION

MATERIAL	URETHANE, 70 SHORE D
TEMPERATURE RANGE	-40° TO +250° F
PART NUMBER	(Prefix) (CS) - (ID) - (Width)

N = Nylon  
S = Split  
P = Hard Hytrel

WEAR RINGS

Part Number	I.D.	O.D.	Width	List Price
MB12-0.75-12-S	3/4	1	1/8	\$ 28.66
MB18-2.00-18	2	2-3/8	3/16	7.46
MB25-1.25-25	1-1/4	1-3/4	1/4	7.46
MB25-1.37-25	1-3/8	1-7/8	1/4	8.16
MB25-1.50-25	1-1/2	2	1/4	7.29
MB25-1.75-25	1-3/4	2-1/4	1/4	8.98
MB25-2.00-25	2	2-1/2	1/4	9.73
MB25-2.25-25	2-1/4	2-3/4	1/4	10.84
MB25-2.50-25	2-1/2	3	1/4	11.88
MB25-3.00-25	3	3-1/2	1/4	12.04
MB25-3.25-25	3-1/4	3-3/4	1/4	12.72
MB25-3.50-25	3-1/2	4	1/4	12.72
MB25-4.00-25	4	4-1/2	1/4	16.96
MB25-4.00-43	4	4-1/2	7/16	17.37
MB25-4.50-25	4-1/2	5	1/4	19.49
MB25-5.00-25	5	5-1/2	1/4	19.75
MB25-6.00-25	6	6-1/2	1/4	27.86
MB31-1.75-31	1-3/4	2-3/8	5/16	8.38
MB31-1.87-31	1-7/8	2-1/2	5/16	10.02
MB31-2.00-31	2	2-5/8	5/16	9.37
MB31-2.12-31	2-1/8	2-3/4	5/16	9.85
MB31-2.12-37	2-1/8	2-3/4	3/8	12.94
MB31-2.25-31	2-1/4	2-7/8	5/16	10.31
MB31-2.37-31	2-3/8	3	5/16	13.39
MB31-2.50-31	2-1/2	3-1/8	5/16	14.77
MB31-4.50-31	4-1/2	5-1/8	5/16	22.56
MB37-1.75-50	1-3/4	2-1/2	1/2	15.85
MB37-1.75-50N	1-3/4	2-1/2	1/2	6.42
MB37-1.75-56	1-3/4	2-1/2	9/16	15.85
MB37-2.00-25P	2	2-3/4	1/4	32.76
MB37-2.00-37	2	2-3/4	3/8	16.41

Part Number	I.D.	O.D.	Width	List Price
MB37-2.50-25P	2-1/2	3-1/4	1/4	\$ 25.33
MB37-2.62-50	2-5/8	3-3/8	1/2	22.90
MB37-2.62-50N	2-5/8	3-3/8	1/2	12.78
MB37-2.62-57	2-5/8	3-3/8	.575	22.90
MB37-2.75-25	2-3/4	3-1/2	1/4	16.87
MB37-3.00-37	3	3-3/4	3/8	19.68
MB37-3.12-37	3-1/8	3-7/8	3/8	22.90
MB37-3.50-25	3-1/2	4-1/4	1/4	24.31
MB37-3.50-37	3-1/2	4-1/4	3/8	28.19
MB37-3.50-44P	3-1/2	4-1/4	7/16	52.67
MB37-3.62-50N	3-5/8	4-3/8	1/2	13.26
MB37-3.62-56	3-5/8	4-3/8	9/16	30.39
MB37-4.00-37	4	4-3/4	3/8	33.56
MB37-4.25-37	4-1/4	5	3/8	34.27
MB37-4.50-28N	4-1/2	5-1/4	9/32	15.16
MB37-4.50-50	4-1/2	5-1/4	1/2	36.51
MB37-4.50-50N	4-1/2	5-1/4	1/2	23.81
MB37-4.75-37	4-3/4	5-1/2	3/8	39.24
MB37-4.75-37N	4-3/4	5-1/2	3/8	32.31
MB37-5.00-37	5	5-3/4	3/8	41.07
MB37-5.25-12	5-1/4	6	1/8	39.72
MB37-5.50-37	5-1/2	6-1/4	3/8	43.81
MB37-5.50-43NS	5-1/2	6-1/4	7/16	20.34
MB37-6.00-43NS	6	6-3/4	7/16	25.33
MB37-6.00-56	6	6-3/4	9/16	46.76
MB37-7.00-37	7	7-3/4	3/8	50.35
MB43-3.87-25	3-7/8	4-3/4	1/4	12.89
MB43-4.50-62	4-1/2	5-3/8	5/8	34.07
MB43-4.75-31	4-3/4	5-5/8	5/16	26.86
MB50-3.00-50	3	4	1/2	35.41